



US00D814677S

(12) **United States Design Patent** (10) **Patent No.:** **US D814,677 S**
Sukphisit et al. (45) **Date of Patent:** **** Apr. 3, 2018**

(54) **BIKE LIGHT WITH PORTABLE POWER BANK**

Primary Examiner — Brian N. Vinson
(74) *Attorney, Agent, or Firm* — Lucas & Mercanti, LLP

(71) Applicant: **IOTTIE, INC.**, New York, NY (US)

(72) Inventors: **Phisitsuk Paul Sukphisit**, Englewood, NJ (US); **Jeremy Leeds-Frank**, Glen Head, NY (US); **Jeremy Connell**, Brooklyn, NY (US)

(57) **CLAIM**

The ornamental design for a bike light with portable power bank, as shown and described.

(73) Assignee: **IOTTIE, INC.**, New York, NY (US)

(**) Term: **15 Years**

DESCRIPTION

(21) Appl. No.: **29/586,942**

FIG. 1 is a perspective view of a bike light with portable power bank showing our new design;
FIG. 2 is a perspective rear view thereof;
FIG. 3 is a perspective bottom view thereof;
FIG. 4 is a perspective bottom rear view thereof;
FIG. 5 is a front view thereof;
FIG. 6 is a rear view thereof;
FIG. 7 is a top view thereof;
FIG. 8 is a bottom view thereof;
FIG. 9 is a right side view thereof;
FIG. 10 is a left side view thereof;
FIG. 11 is a left side view thereof, having the sidebar cover in open position showing micro USB (Universal Serial Bus) and USB outlets of the power bank;
FIG. 12 is a perspective view thereof having the sidebar cover in open position; and,
FIG. 13 is a perspective view thereof, having the base rotated showing different angles on the handlebar.
The broken lines representing portions of the instrument are included for environmental purposes only and form no part of the claimed design.

(22) Filed: **Dec. 8, 2016**

(51) **LOC (11) Cl.** **26-03**

(52) **U.S. Cl.**
USPC **D26/60; D26/28**

(58) **Field of Classification Search**
USPC D26/28, 60-63
CPC B62J 6/001; B62J 6/02; B62J 6/003; F21S 4/00; F21V 21/00
See application file for complete search history.

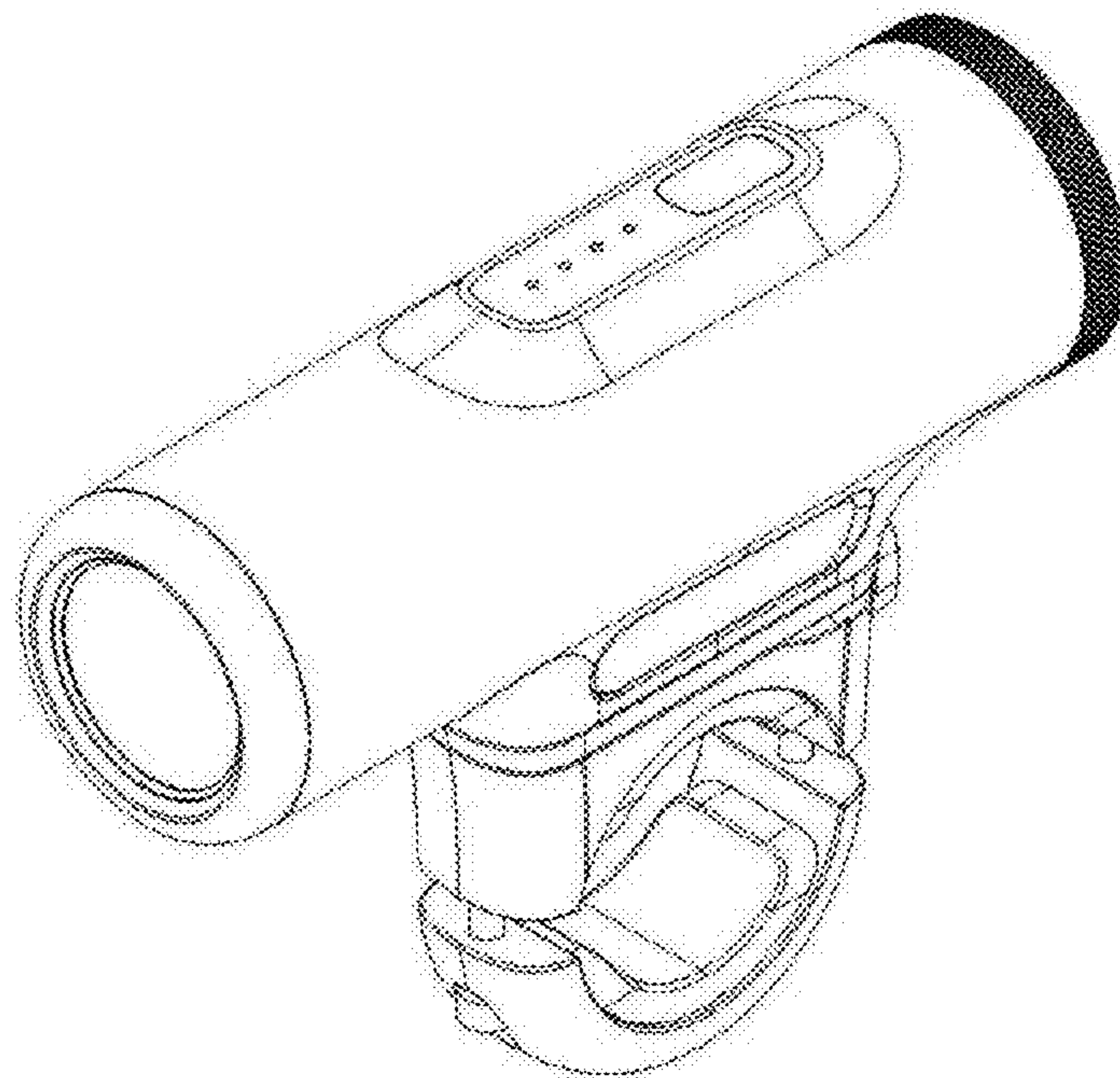
(56) **References Cited**

U.S. PATENT DOCUMENTS

D608,485 S *	1/2010	Liao	D26/60
D609,378 S *	2/2010	Lee	D26/60
D678,562 S *	3/2013	Chan	D26/28
D679,040 S *	3/2013	Cen	D26/28
D697,244 S *	1/2014	McKechnie	D26/60
D757,311 S *	5/2016	Nagano	D26/28

* cited by examiner

1 Claim, 6 Drawing Sheets



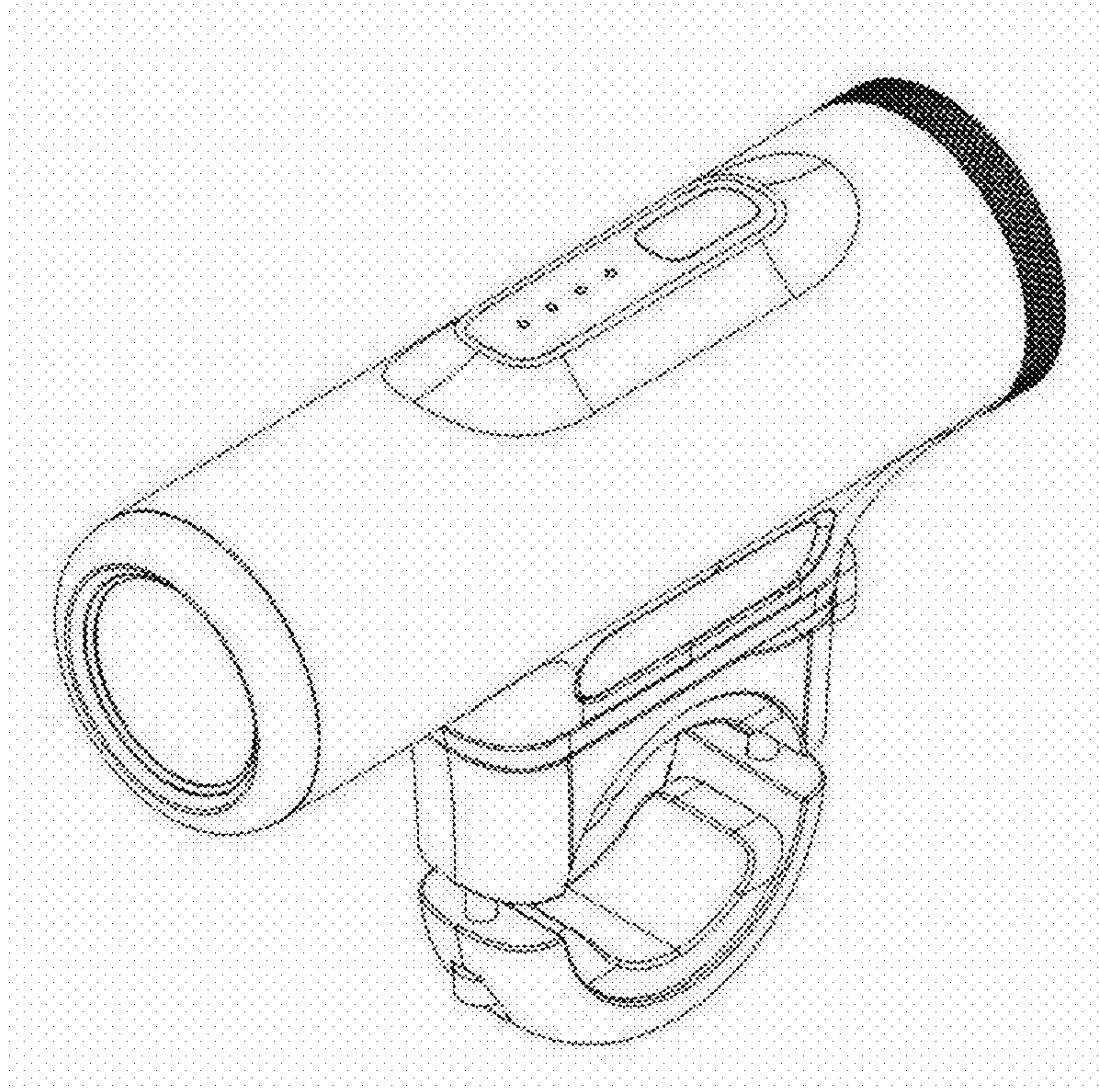


FIGURE 1

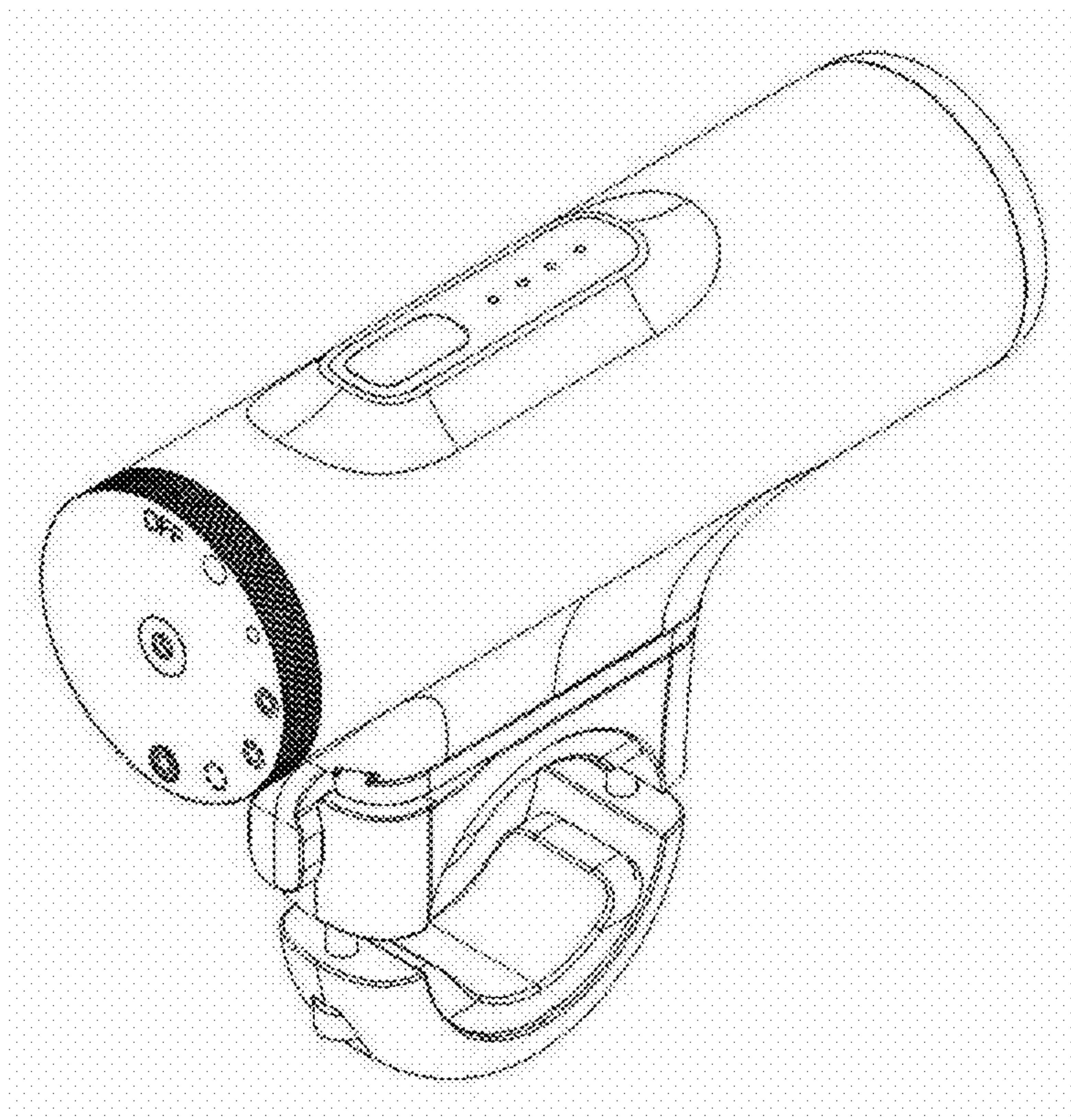


FIGURE 2

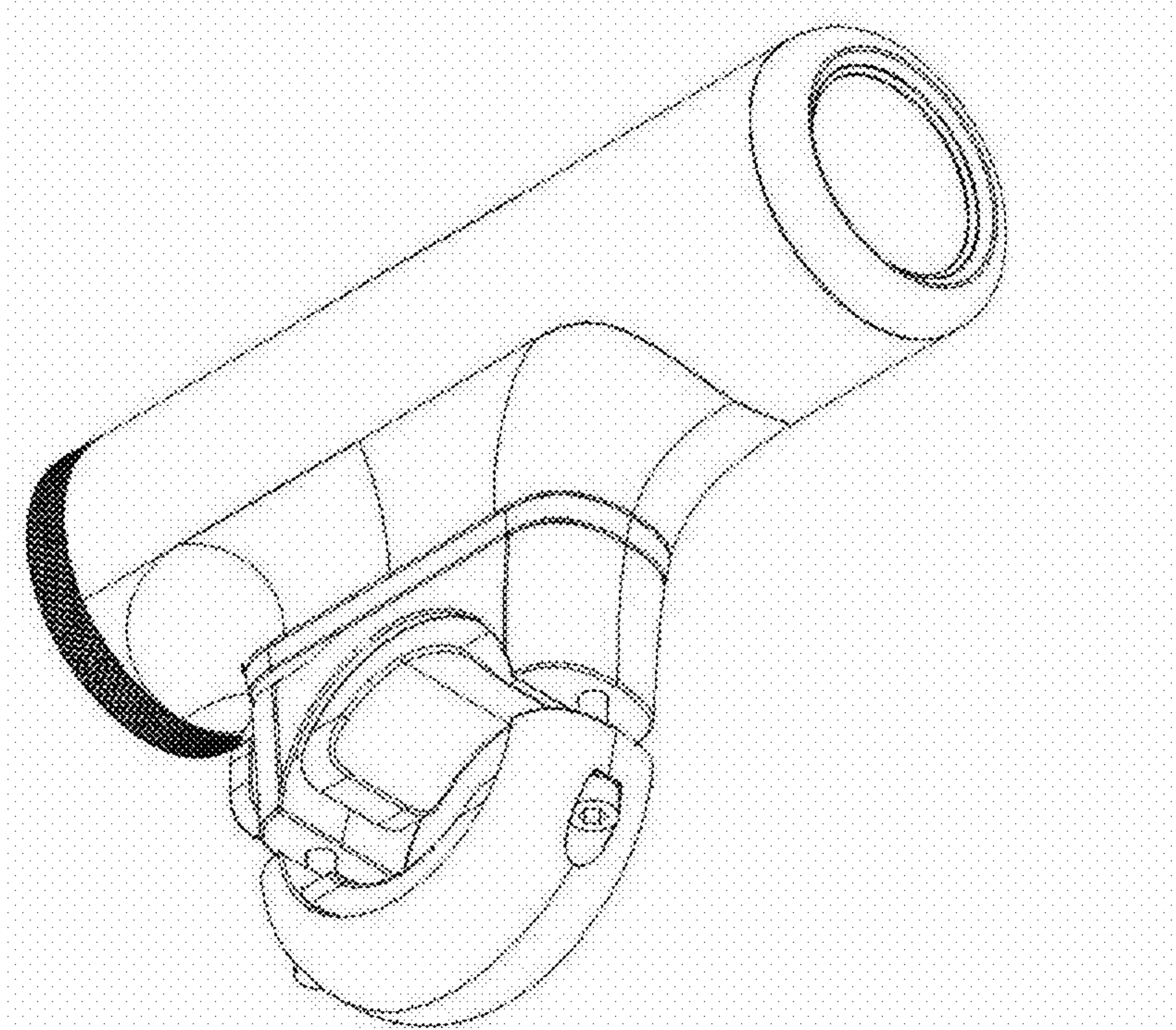


FIGURE 3

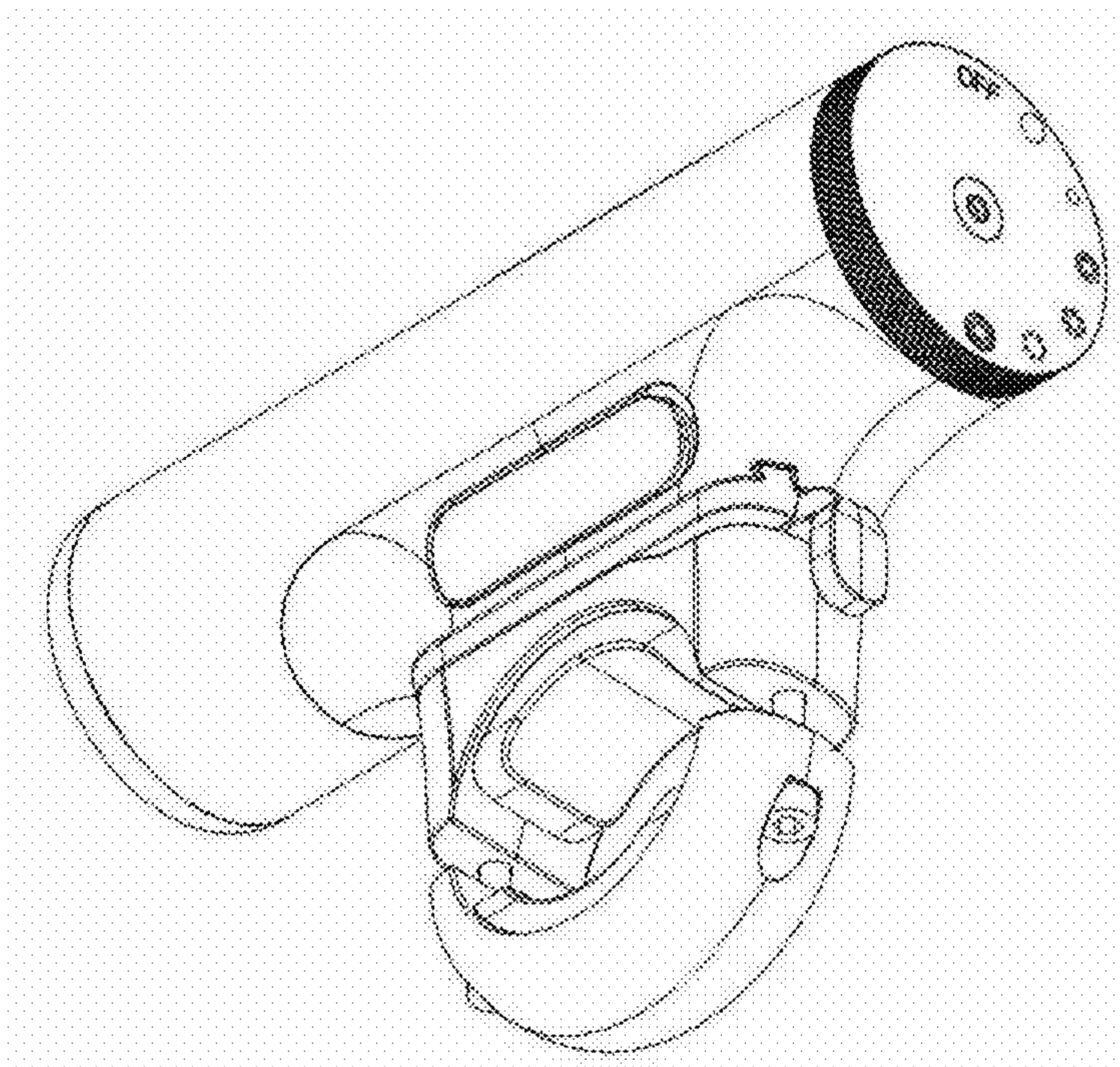


FIGURE 4

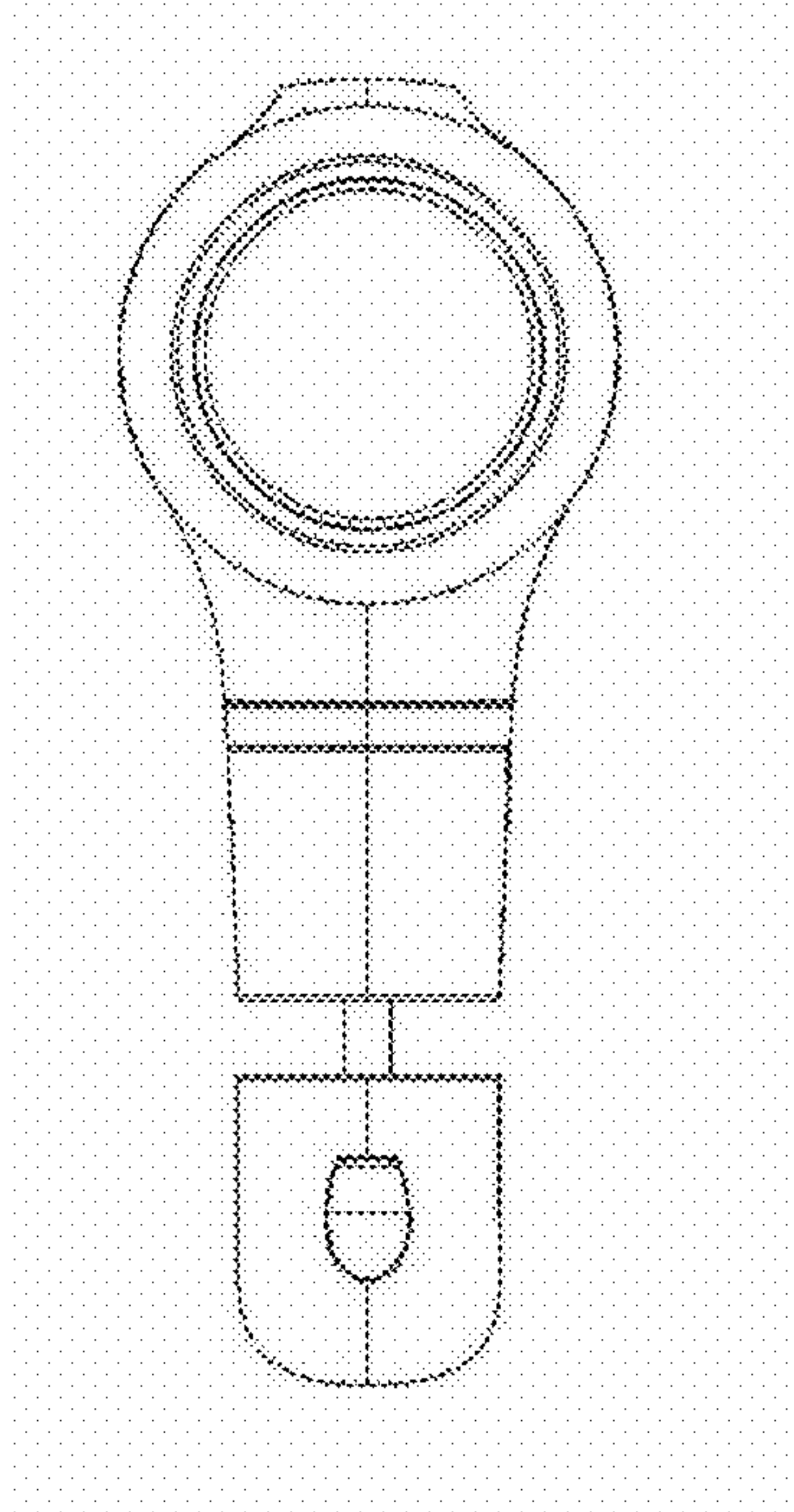


FIGURE 5

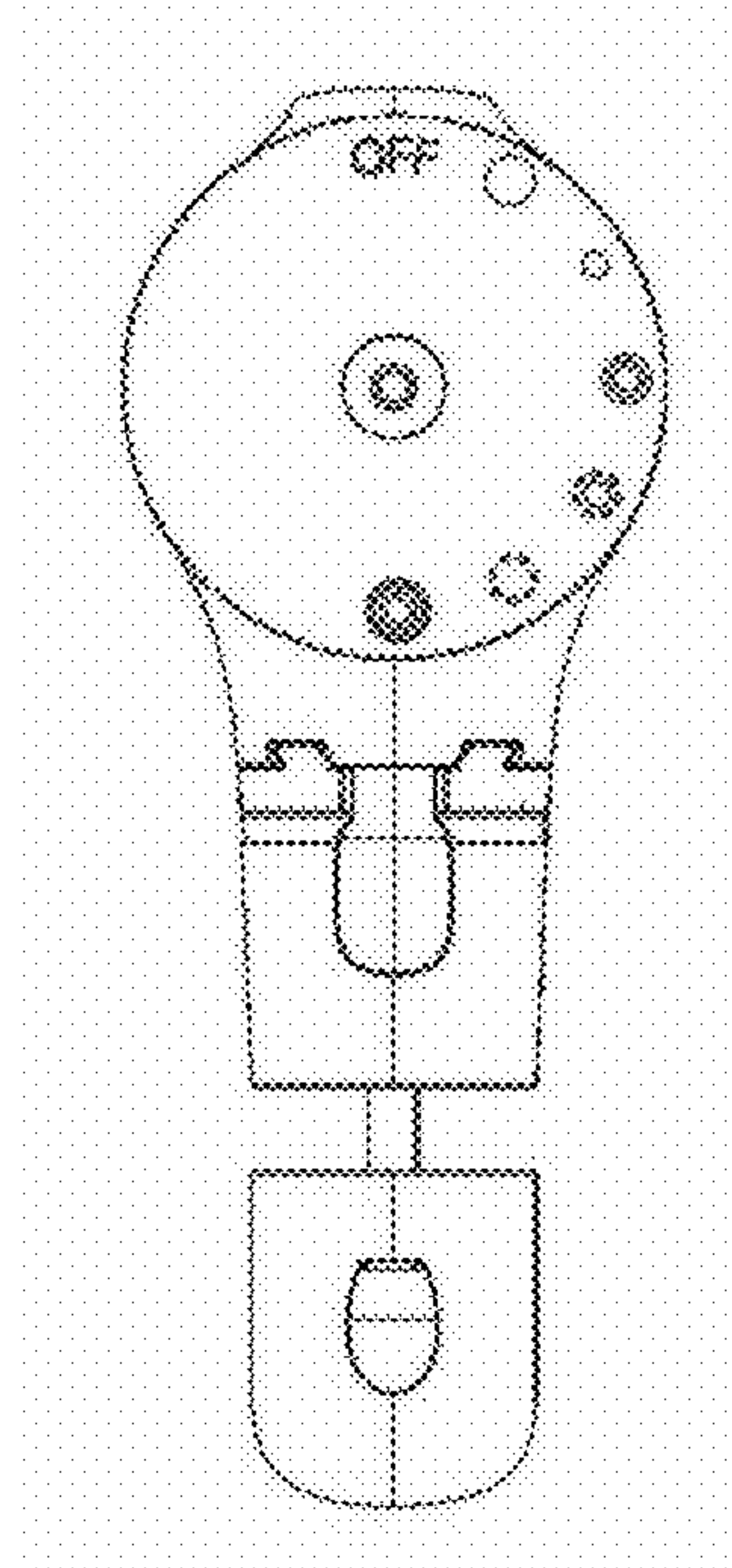


FIGURE 6

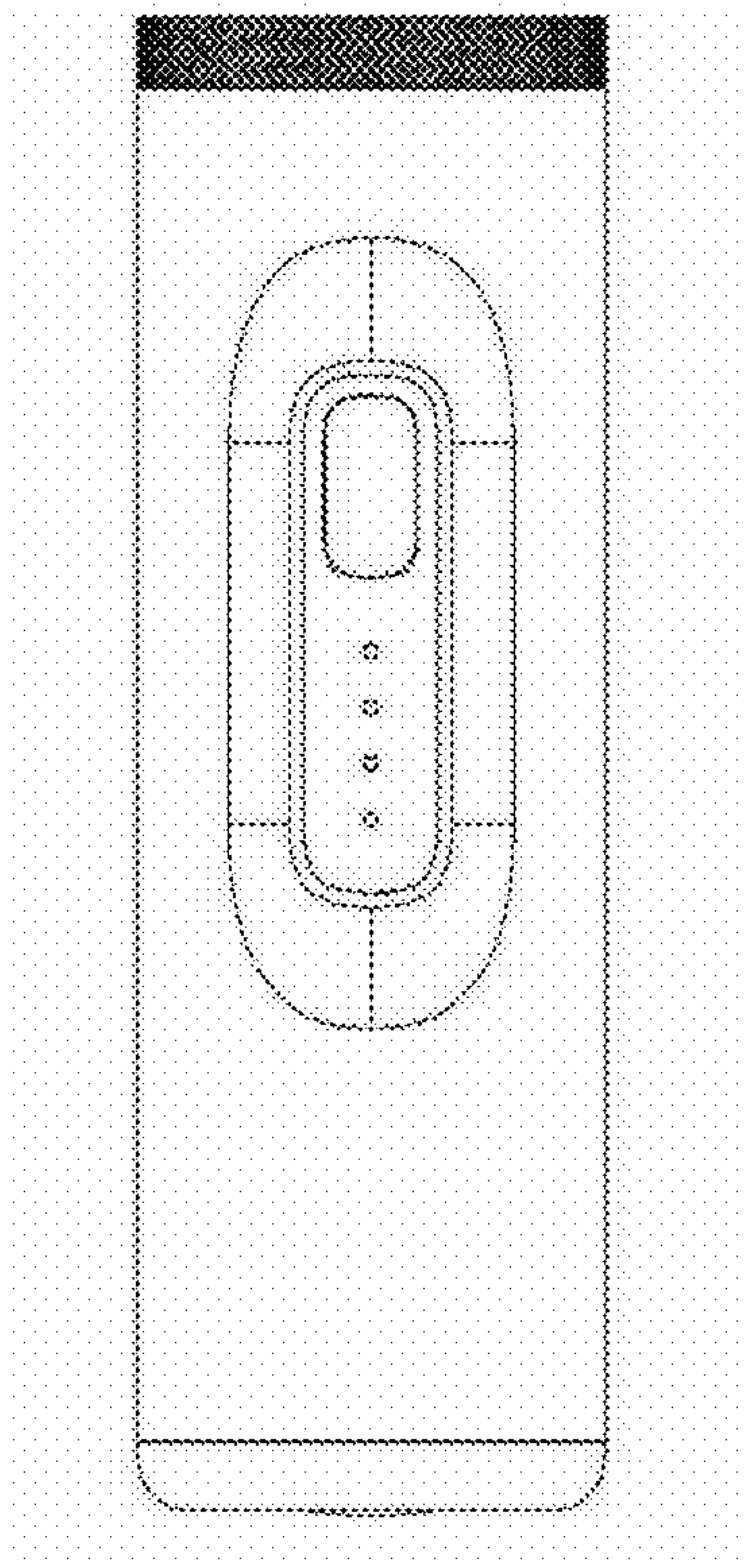


FIGURE 7

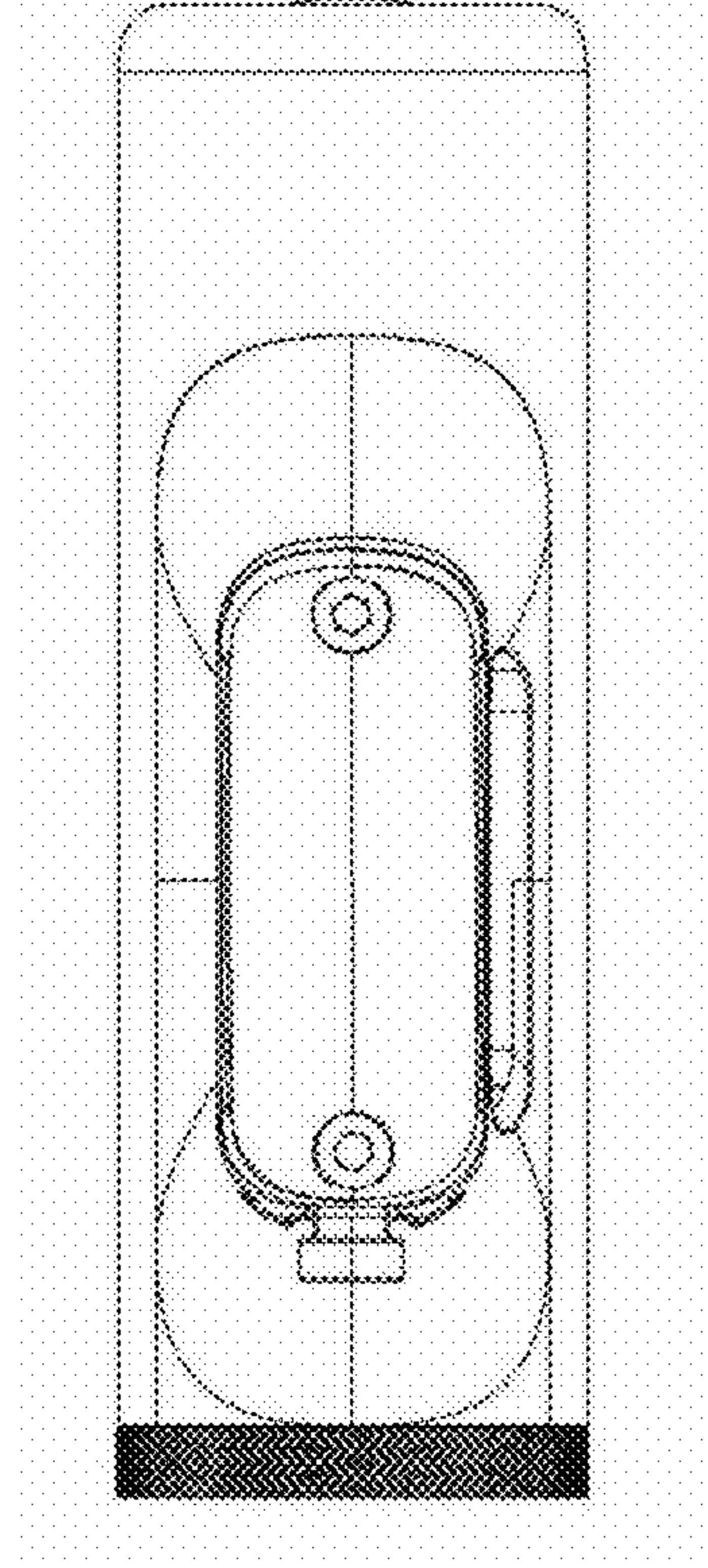


FIGURE 8

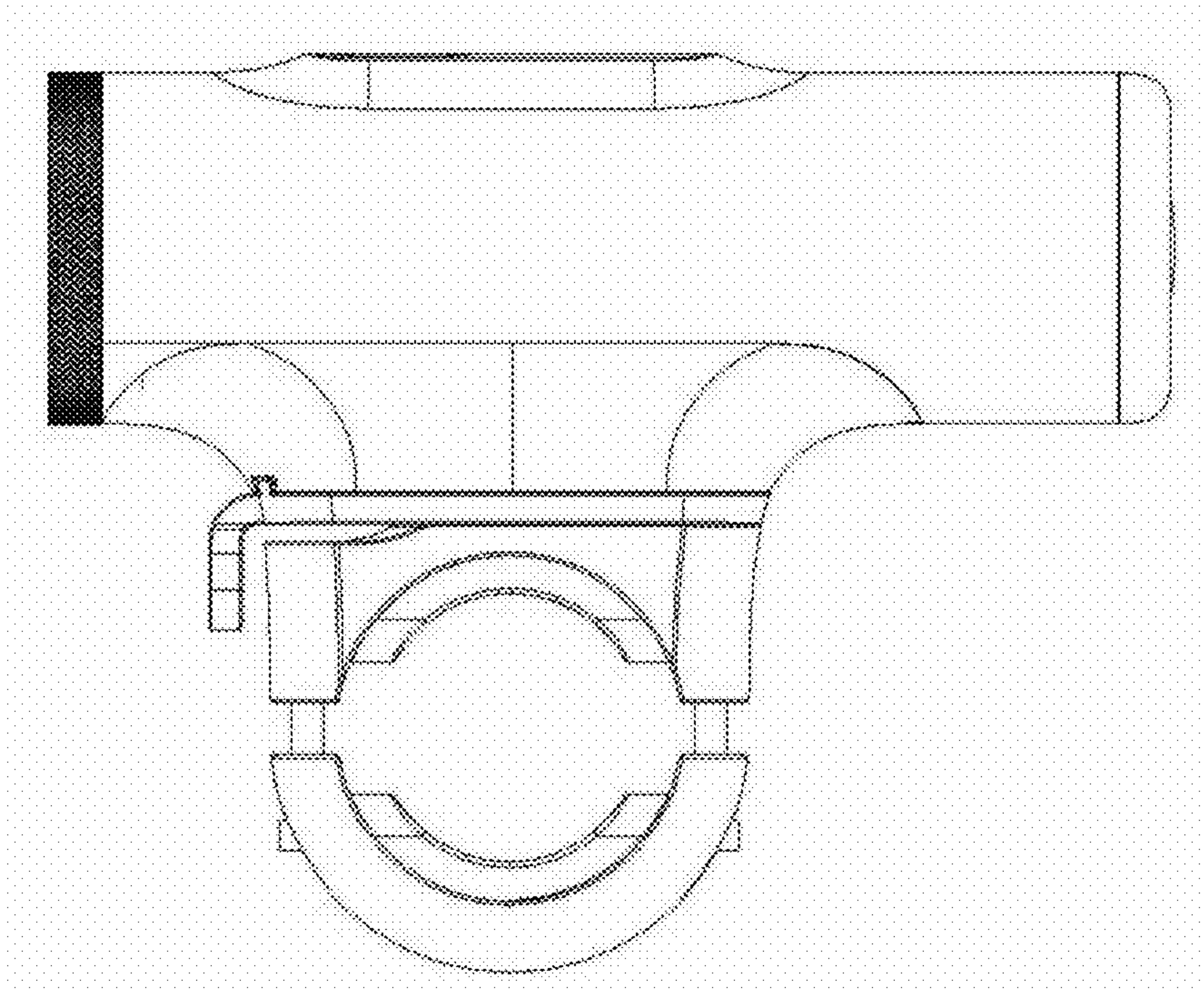


FIGURE 9

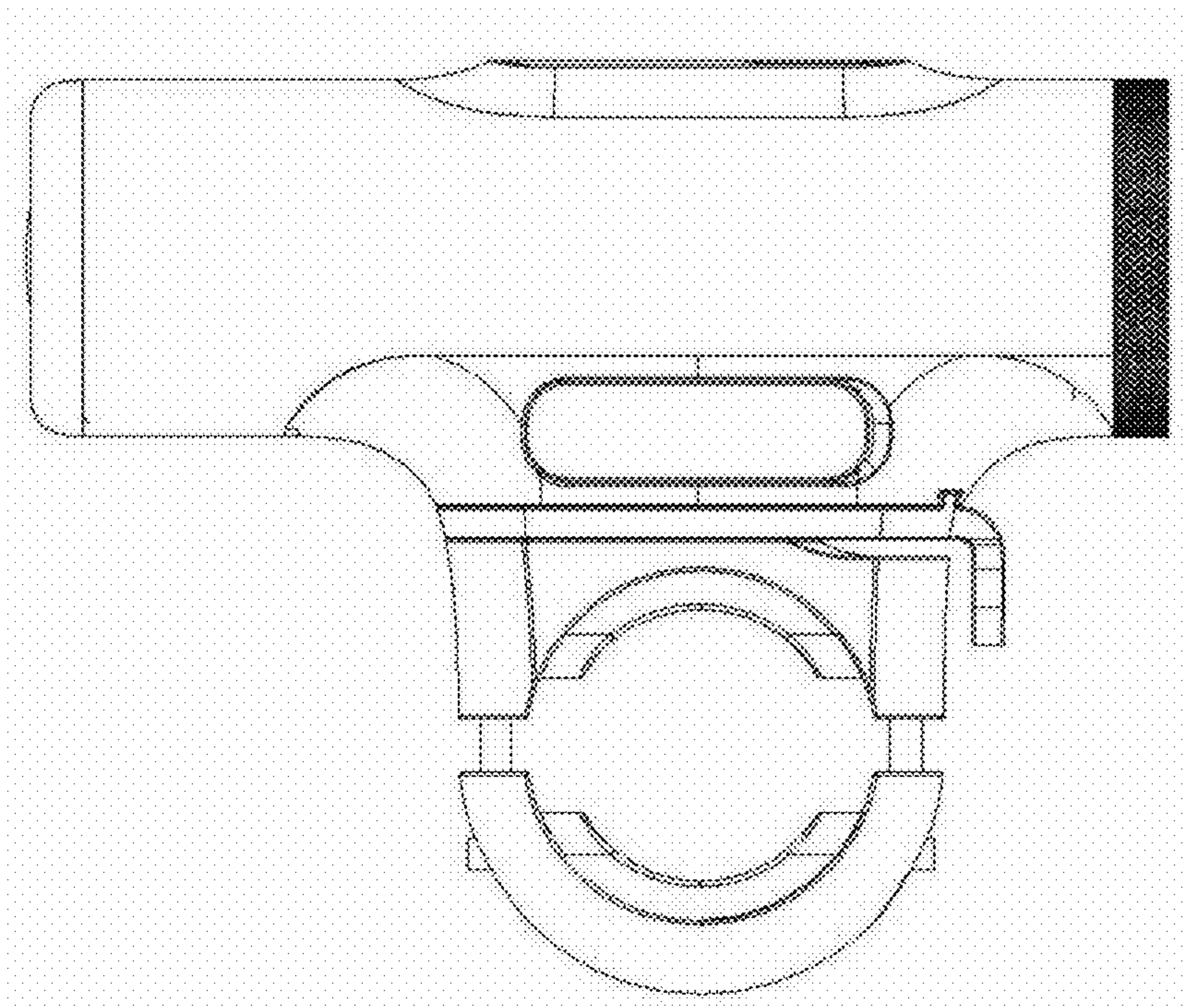


FIGURE 10

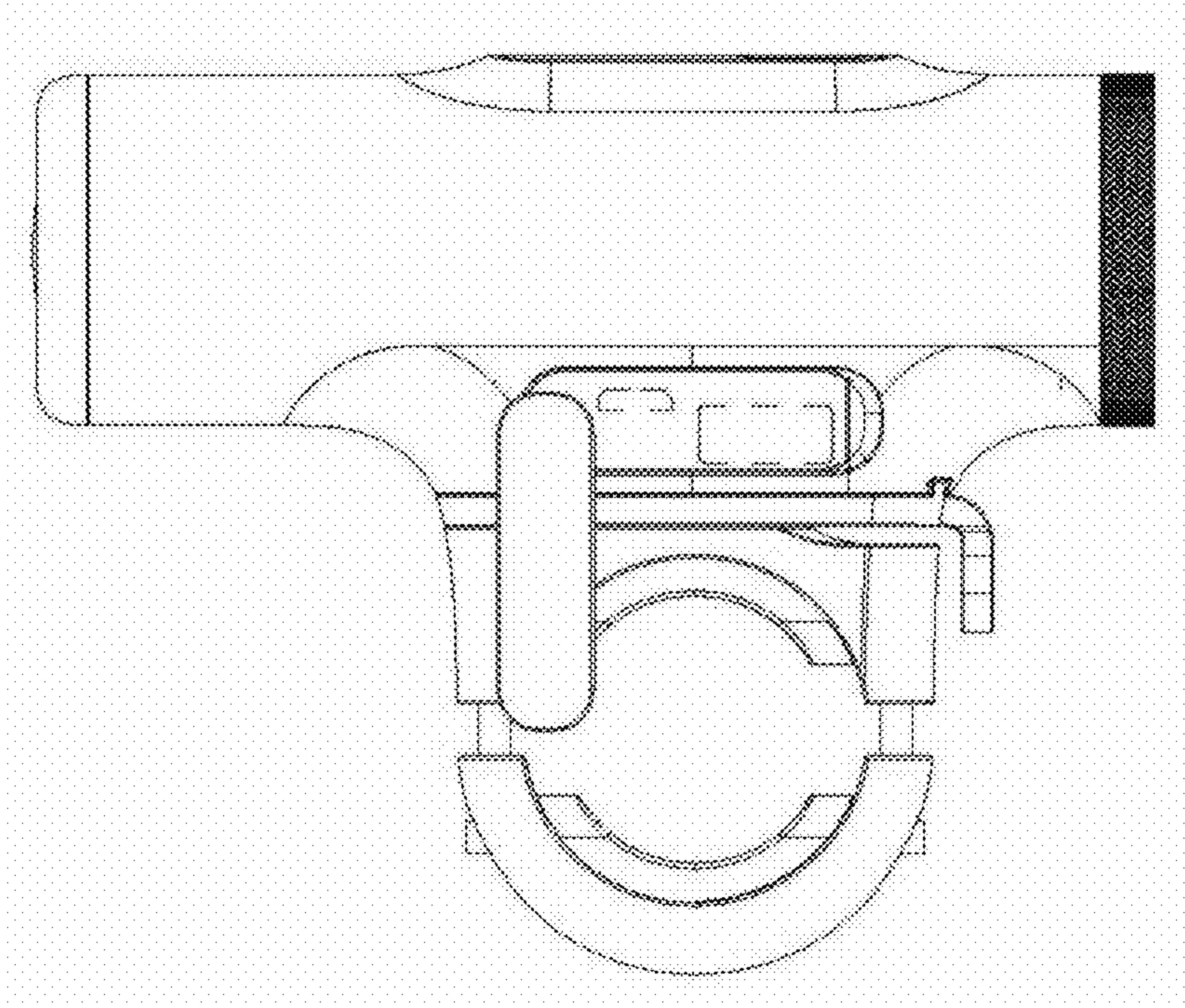


FIGURE 11

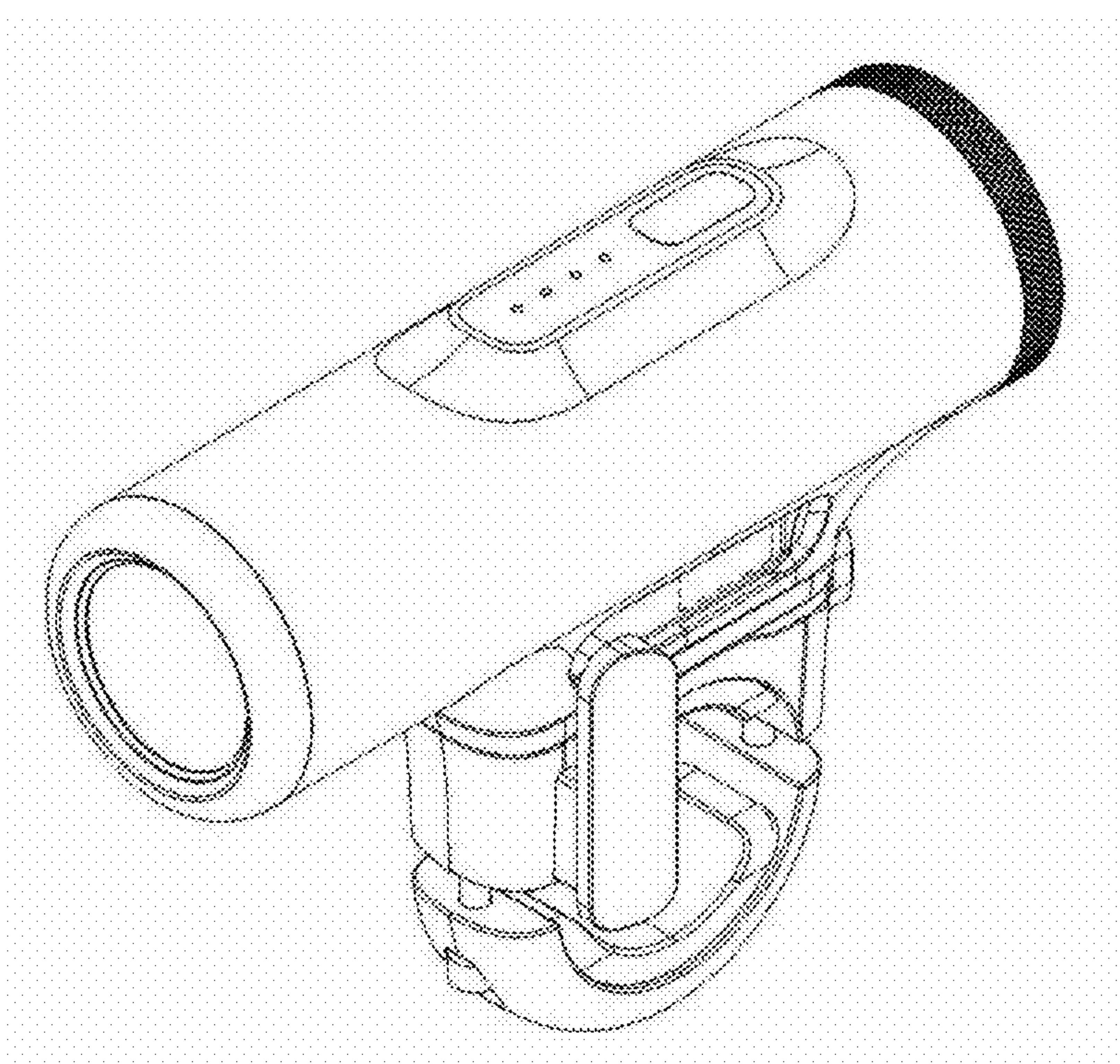


FIGURE 12

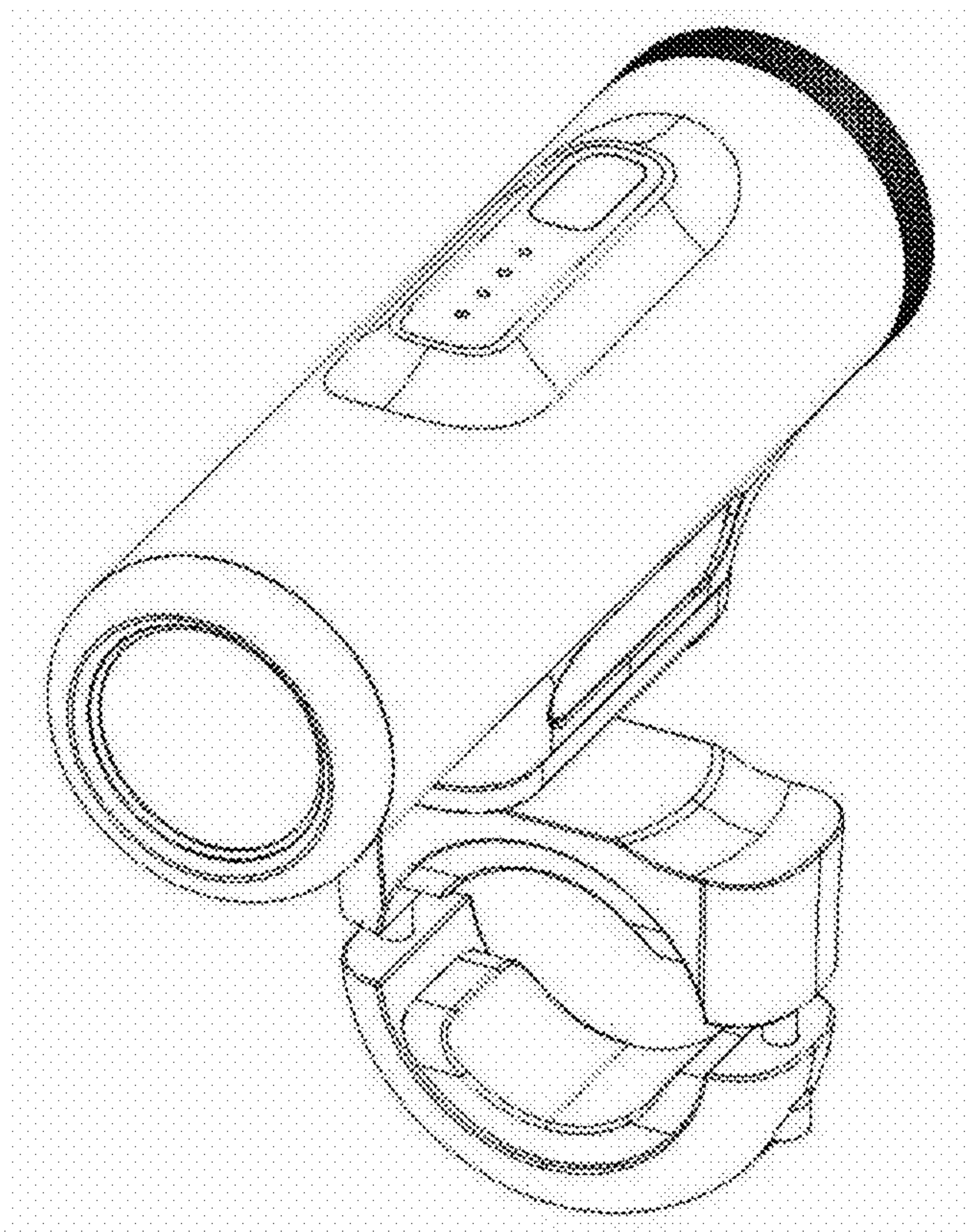


FIGURE 13