



US00D814676S

(12) **United States Design Patent** (10) **Patent No.:** **US D814,676 S**
Windom et al. (45) **Date of Patent:** **** Apr. 3, 2018**

(54) **HEADLAMP**

(71) Applicant: **Coast Cutlery Co.**, Portland, OR (US)

(72) Inventors: **Gregory David Windom**, Portland, OR (US); **David Lewin**, Portland, OR (US)

(73) Assignee: **Coast Cutlery Co.**, Portland, OR (US)

(**) Term: **15 Years**

(21) Appl. No.: **29/547,894**

(22) Filed: **Dec. 8, 2015**

(51) **LOC (11) Cl.** **26-02**

(52) **U.S. Cl.**
USPC **D26/39**

(58) **Field of Classification Search**
USPC D26/39; 362/103, 105, 108, 106; 2/422
CPC . A42B 3/044; A42B 3/04; F21L 15/14; F21L 11/00; B63C 9/20
See application file for complete search history.

(56) **References Cited**

U.S. PATENT DOCUMENTS

4,298,913	A *	11/1981	Lozar	A42B 3/044
					362/103
D477,680	S *	7/2003	Petzl	D26/39
D492,052	S *	6/2004	Schnell	D26/39
D552,278	S *	10/2007	Spartano	D26/39
D560,008	S *	1/2008	Poon	D26/39
D569,023	S *	5/2008	Lee	D26/60
D577,842	S *	9/2008	Kumthampinij	D26/39
D578,691	S *	10/2008	Lau	D26/39
D581,567	S *	11/2008	Crawford	D26/38
D592,781	S *	5/2009	Petzl	D26/39
D597,676	S *	8/2009	Copeland	D24/187
7,568,812	B1 *	8/2009	Kumthampinij	F21L 4/04
					362/105
D607,132	S *	12/2009	Ma	D26/60
D615,226	S *	5/2010	Levine	D26/44
D615,227	S *	5/2010	Hine	D26/46
D615,678	S *	5/2010	DeBrunner	D26/39
D625,863	S *	10/2010	Kingston	D26/39

(Continued)

FOREIGN PATENT DOCUMENTS

CN 301666750 * 9/2011
CN 301787774 * 1/2012

(Continued)

OTHER PUBLICATIONS

Princeton Tec Fred Headlamp, backcountry.com, posting date not given, customer review from Apr. 8, 2013 © Backcountry.com, [online], [site visited Oct. 3, 2016]. Available from Internet, <URL:http://www.backcountry.com/princeton-tec-fred-headlamp?skid=PRT0049-BK-ONESIZ&ti=UEXQIENhdDpIZWFkbGFtcHMgYW5kIEFjY2Vzc29yaWVzOjE6OTpiY3NDYXQ3MTEwMDAyODk=.*

(Continued)

Primary Examiner — Lakiya G Rogers
Assistant Examiner — Altaira J Swangin
(74) *Attorney, Agent, or Firm* — Schwabe Williamson & Wyatt, P.C.

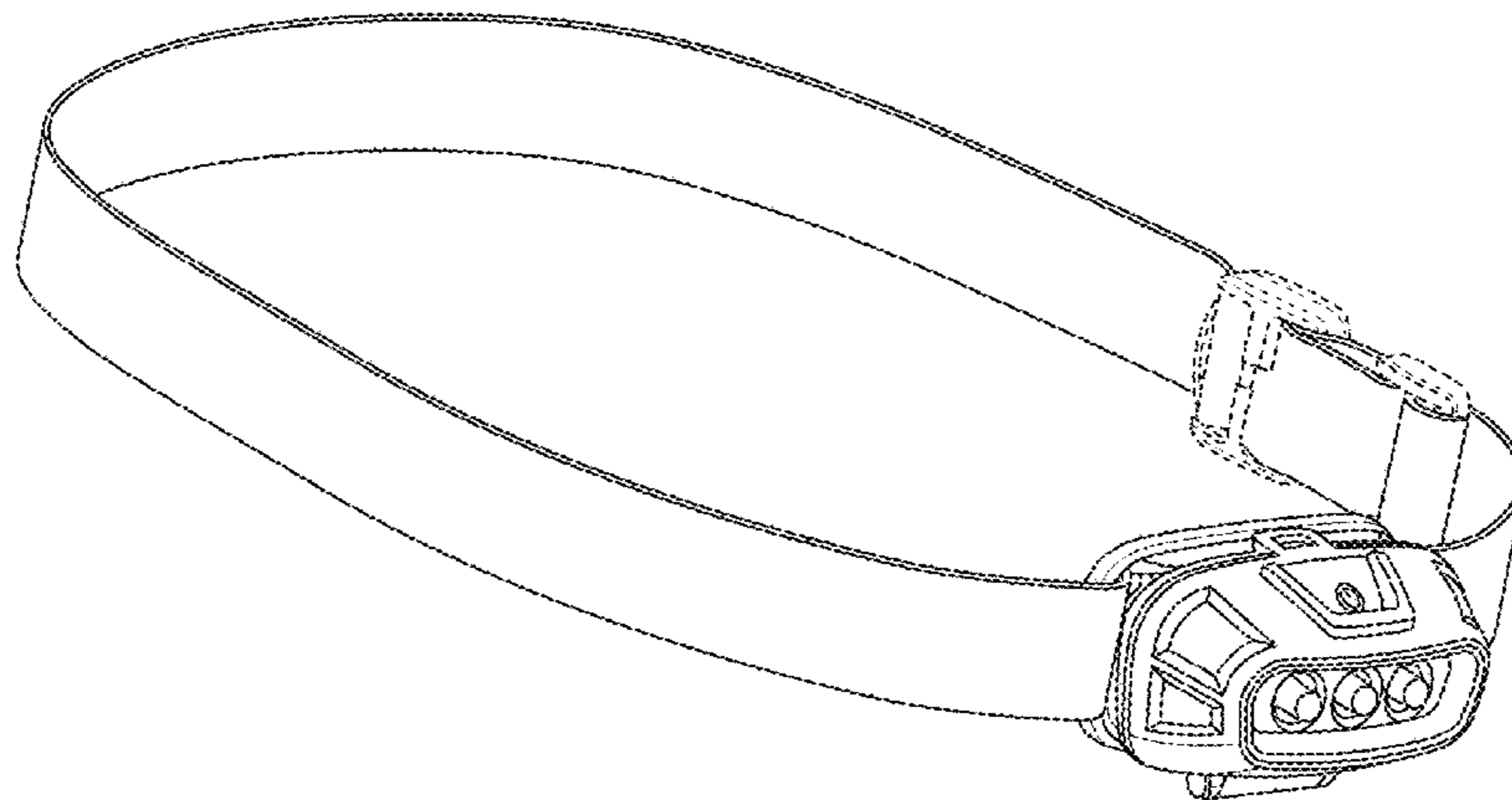
(57) **CLAIM**

We claim the ornamental design for a headlamp, as shown and described.

DESCRIPTION

FIG. 1 is a perspective view of a headlamp, showing our new design;
FIG. 2 is a front view thereof;
FIG. 3 is a back view thereof;
FIG. 4 is a right view thereof;
FIG. 5 is a left view thereof;
FIG. 6 is a top view thereof; and,
FIG. 7 is a bottom view thereof.
The dashed lines are included for illustrating unclaimed portions of the article and form no part of the claimed design.

1 Claim, 5 Drawing Sheets



(56)

References Cited

U.S. PATENT DOCUMENTS

7,810,946 B2 * 10/2010 Jarzac F21L 4/027
 362/190
 D629,131 S * 12/2010 Seal D26/60
 D632,816 S * 2/2011 Lee D26/48
 D636,509 S * 4/2011 Killion D26/46
 D636,510 S * 4/2011 Killion D26/46
 7,926,967 B2 * 4/2011 Spartano F21V 14/065
 362/103
 D642,714 S * 8/2011 Chuah D26/60
 D651,732 S * 1/2012 Hopkins D26/39
 D655,012 S * 2/2012 Nanda D24/176
 D658,323 S * 4/2012 Freschl D26/39
 D663,451 S * 7/2012 Ueda D26/28
 8,297,779 B2 * 10/2012 Martin H01M 2/1055
 362/194
 D672,893 S * 12/2012 Inskeep D26/39
 D680,250 S * 4/2013 Opolka D26/39
 D693,040 S * 11/2013 Svensson D26/39
 D696,803 S * 12/2013 Kingston D26/39
 D707,867 S * 6/2014 Kotsis D26/39
 D715,473 S * 10/2014 Killion D26/46
 D723,201 S * 2/2015 Windom D26/39
 8,992,039 B2 * 3/2015 Janice F21L 4/02
 362/105
 D736,979 S * 8/2015 Petzl D26/39
 9,101,190 B2 * 8/2015 Noble F21V 33/0084
 D739,061 S * 9/2015 Petzl D26/39
 D742,050 S * 10/2015 Inskeep D26/39
 D742,051 S * 10/2015 Abernethy D26/39
 D743,596 S * 11/2015 Ormsbee D26/39
 D743,597 S * 11/2015 Abernethy D26/39
 9,194,548 B2 * 11/2015 Janice F21L 4/02
 D747,021 S * 1/2016 Hunnewell D26/39
 D751,739 S * 3/2016 Hamasaki D26/28
 D752,791 S * 3/2016 Ferguson D26/39
 D758,630 S * 6/2016 Li D26/39
 D788,209 S * 5/2017 Greene D16/300

D788,337 S * 5/2017 Koshiba D26/39
 9,726,356 B2 * 8/2017 Ormsbee F21V 21/084
 9,739,440 B1 * 8/2017 Deyaf F21S 48/1757
 9,759,419 B1 * 9/2017 Rothschild F21V 33/0008
 D801,346 S * 10/2017 Oberpriller D14/453
 D802,189 S * 11/2017 Windom D26/39
 D803,442 S * 11/2017 Green D26/39
 2004/0264177 A1 * 12/2004 Webber F21L 4/00
 362/106
 2006/0067077 A1 * 3/2006 Kumthampinij F21L 4/027
 362/294
 2007/0177376 A1 * 8/2007 Simoni F21L 4/00
 362/157
 2008/0253109 A1 * 10/2008 Canino F21L 13/06
 362/105
 2009/0323317 A1 * 12/2009 Spartano F21V 14/065
 362/105
 2012/0057331 A1 * 3/2012 Janice F21L 4/02
 362/105
 2012/0195026 A1 * 8/2012 Bouffay F21V 21/084
 362/105
 2017/0322481 A1 * 11/2017 Koch G03B 17/561

FOREIGN PATENT DOCUMENTS

CN 302799032 * 4/2014
 EM 003301357-0001 * 8/2016

OTHER PUBLICATIONS

Coleman 3AAA LED Headlamp, amazon.com, posting date not given, customer review from May 28, 2012 © 1996-2016 Amazon.com, [online], [site visited Oct. 3, 2016]. Available from Internet, <URL:https://www.amazon.com/Coleman-2000002659-3AAA-LED-Headlamp/dp/B003FKT45Y/ref=sr_1_4?ie=UTF8&qid=1475522750&sr=8-4&keywords=Coleman+3AAA+LED+Headlamp.*

* cited by examiner

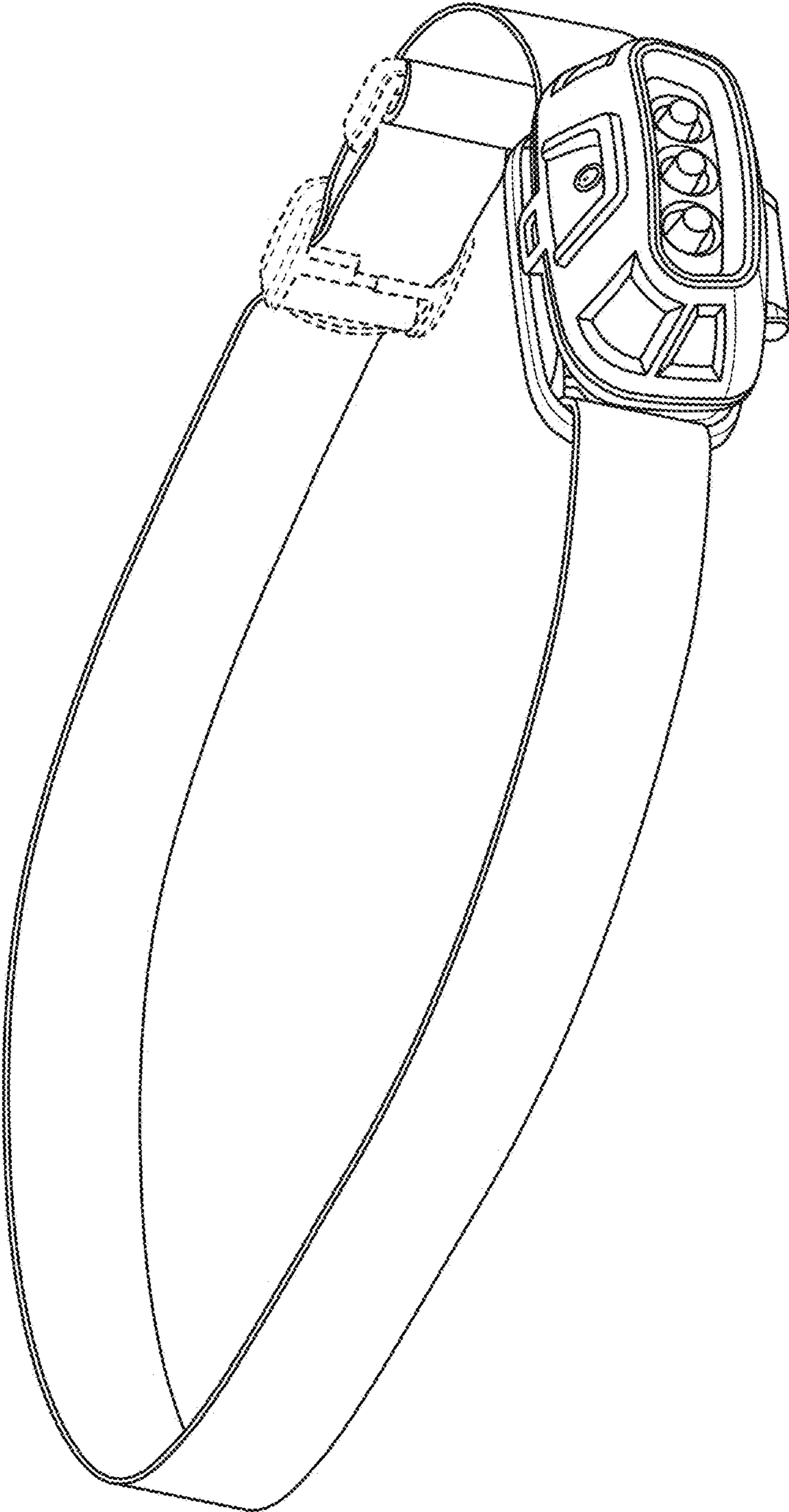


FIG. 1

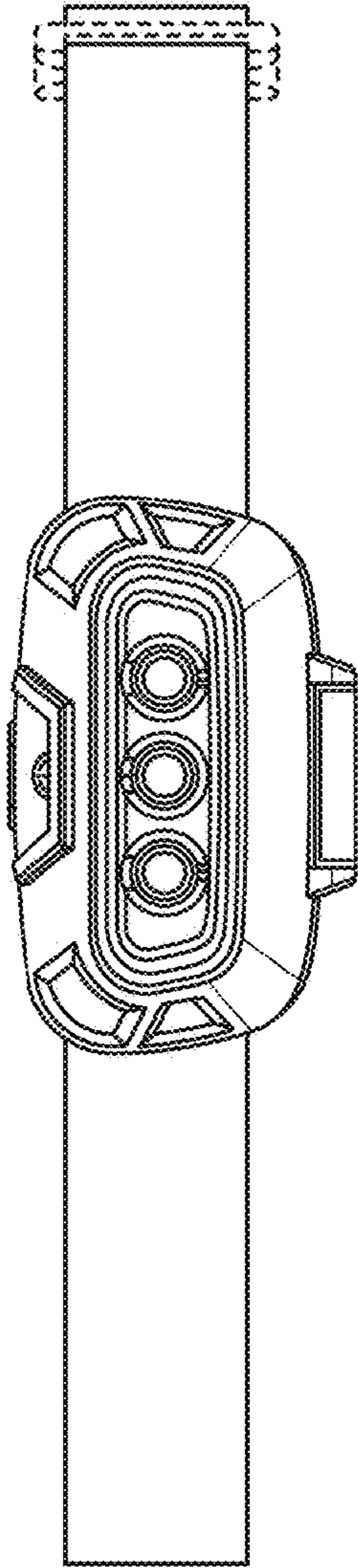


FIG. 2

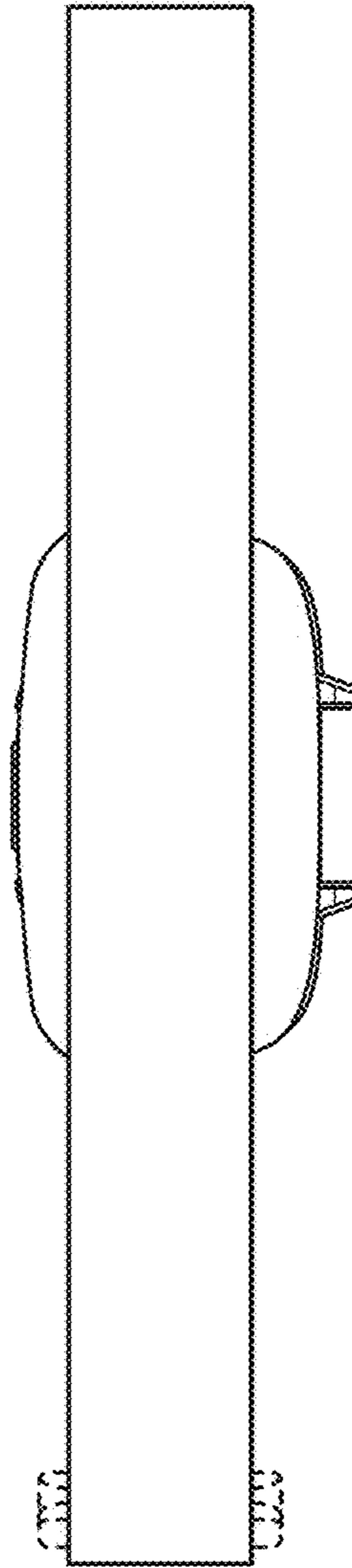


FIG. 3

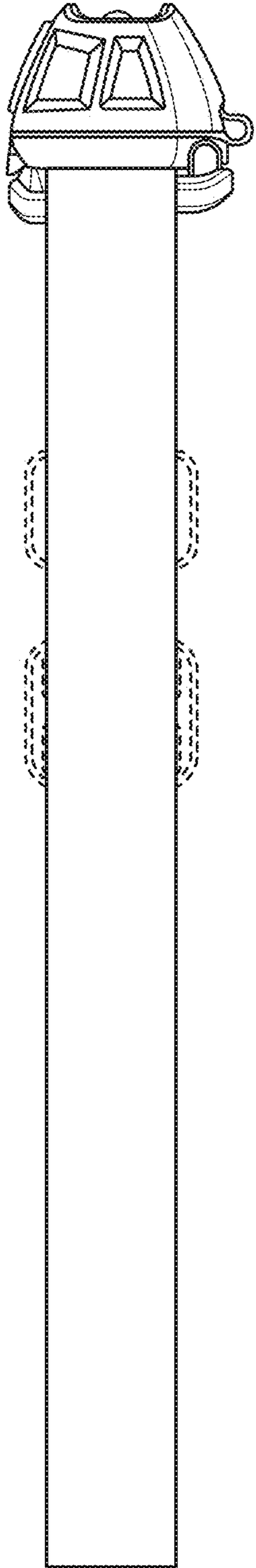


FIG. 4

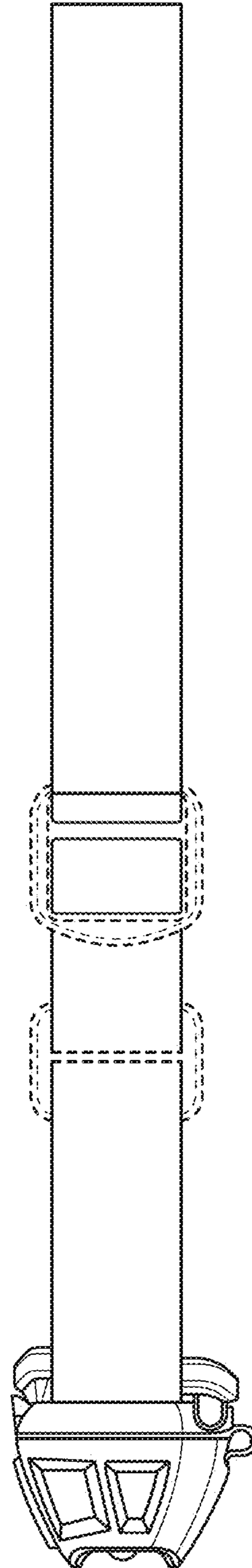


FIG. 5

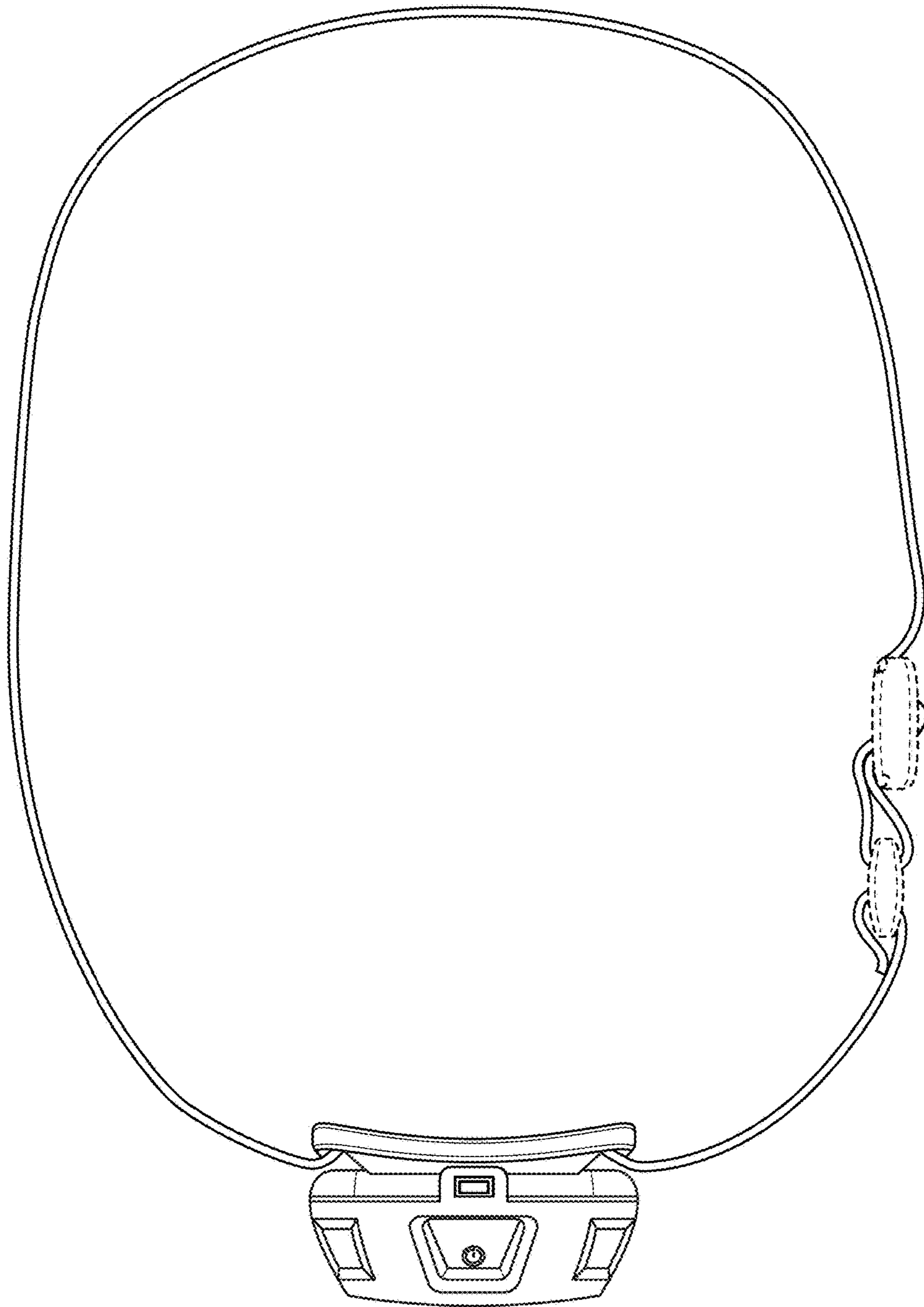


FIG. 6

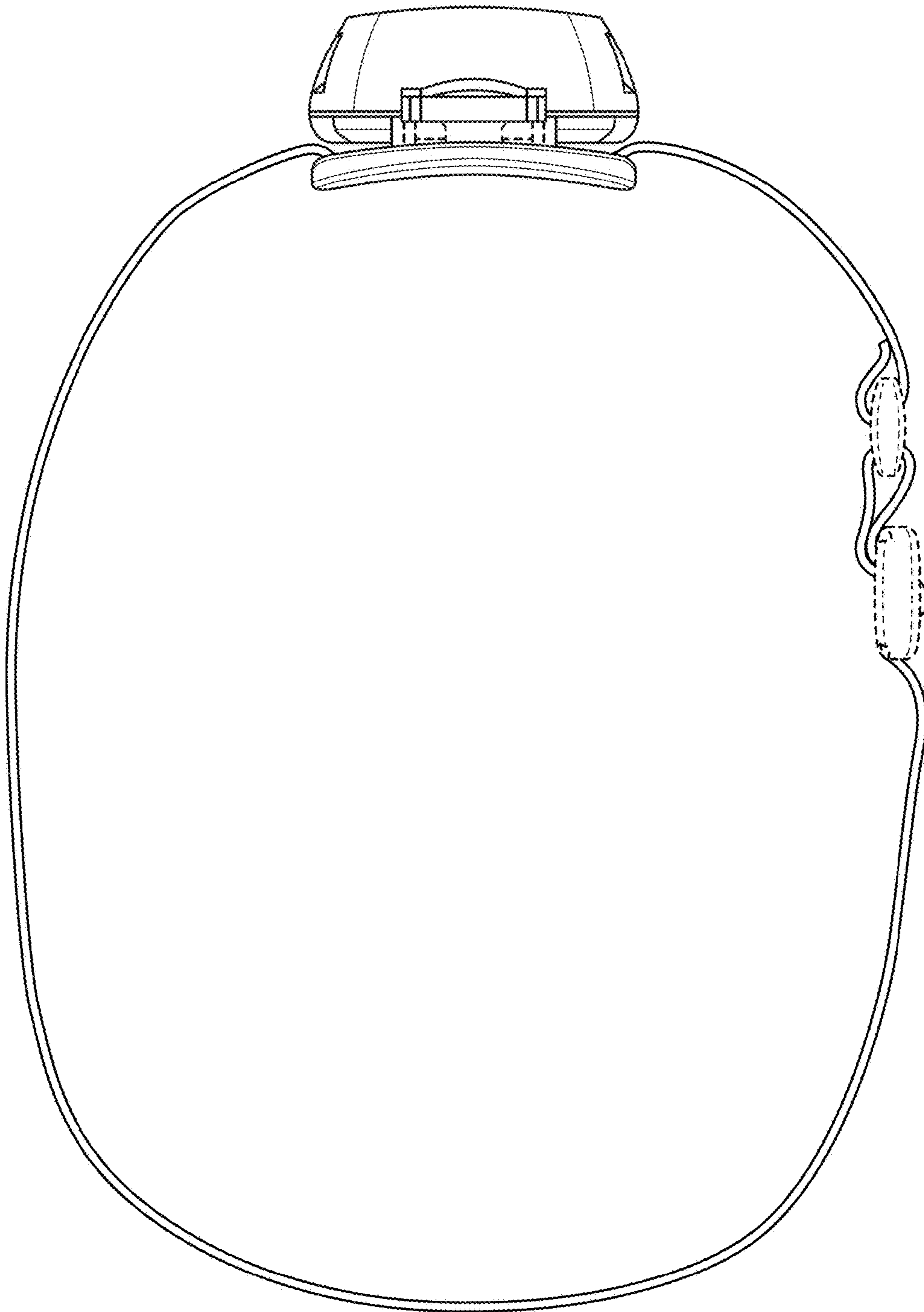


FIG. 7