



US00D814675S

(12) **United States Design Patent**  
**Sharrah**

(10) **Patent No.:** **US D814,675 S**  
(45) **Date of Patent:** **\*\* Apr. 3, 2018**

- (54) **LIGHT RESEMBLING A KEY**
- (71) Applicant: **STREAMLIGHT, INC.**, Eagleville, PA (US)
- (72) Inventor: **Raymond L. Sharrah**, Collegetown, PA (US)
- (73) Assignee: **Streamlight, Inc.**, Eagleville, PA (US)
- (\*\*) Term: **15 Years**
- (21) Appl. No.: **29/572,921**
- (22) Filed: **Aug. 1, 2016**
- (51) **LOC (11) Cl.** ..... **26-02**
- (52) **U.S. Cl.**  
USPC ..... **D26/38**
- (58) **Field of Classification Search**  
USPC ..... D26/37-51  
CPC ..... F21L 2003/00; F21L 4/00; F21L 4/005;  
F21L 4/02; F21L 4/025; F21L 4/027;  
F21L 4/04; F21L 4/08; F21L 2005/00;  
F21L 7/00; F21L 11/00; F21L 13/00;  
F21L 13/04; F21L 13/08; F21L 14/02;  
F21L 17/00; F21L 19/00  
See application file for complete search history.

- (56) **References Cited**  
U.S. PATENT DOCUMENTS
- 3,310,668 A \* 3/1967 Schwartz ..... E05B 17/103  
362/116
- 5,515,248 A \* 5/1996 Canfield ..... E05B 17/103  
362/100
- 6,609,811 B1 8/2003 Sharrah
- D492,050 S \* 6/2004 Chung ..... D26/37
- RE38,549 E 7/2004 Seebock
- D495,073 S \* 8/2004 Kumthampinij ..... D26/37
- D496,848 S \* 10/2004 Freeman ..... D8/347
- D507,369 S \* 7/2005 Waters ..... D26/37
- 7,036,950 B1 \* 5/2006 Freeman ..... E05B 17/10  
362/100
- D530,186 S \* 10/2006 Johansson ..... D8/347

- D538,192 S \* 3/2007 Martin ..... D10/106.1
- D656,651 S \* 3/2012 Gorman ..... D26/47
- D661,479 S \* 6/2012 Wu ..... D3/211
- D669,619 S \* 10/2012 Ormsbee ..... D26/62
- 8,297,800 B1 10/2012 Little
- D676,650 S \* 2/2013 Farris ..... D3/207
- 8,628,210 B2 1/2014 Tucker et al.

(Continued)

**OTHER PUBLICATIONS**

Streamlight, Inc., "CuffMate, Handcuff Key", printed Oct. 31, 2016, 2 pages, <http://www.streamlight.com/products/detail/index/cuffmate>.

(Continued)

*Primary Examiner* — Ian Simmons  
*Assistant Examiner* — Carissa C Fitts  
(74) *Attorney, Agent, or Firm* — Clement A. Berard, Esq.;  
Dann, Dorfman, Herrell & Skillman, PC

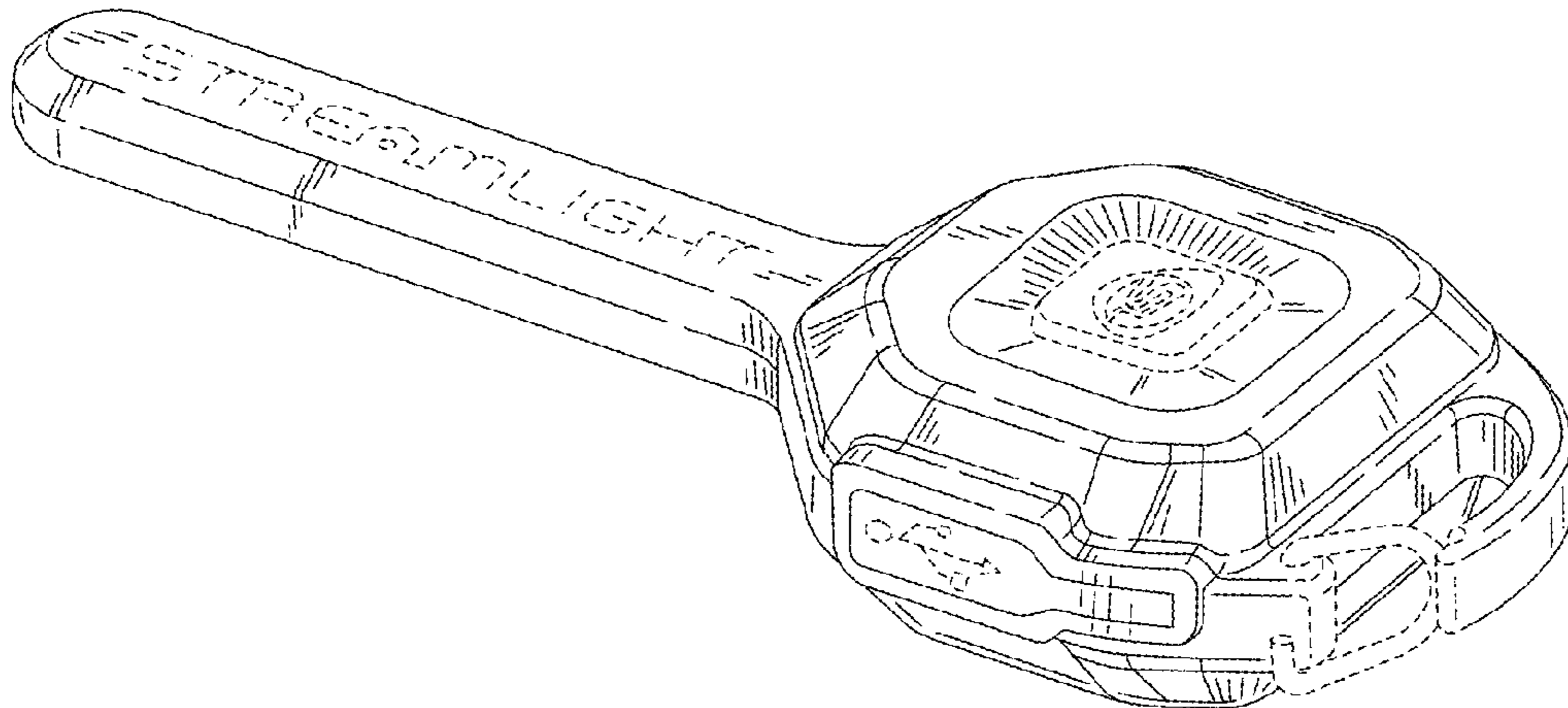
(57) **CLAIM**

The ornamental design for a light resembling a key, substantially as shown and described.

**DESCRIPTION**

FIG. 1 is a perspective view of an ornamental design for a light resembling a key;  
FIG. 2 is another perspective view thereof;  
FIG. 3 is view of a first side thereof;  
FIG. 4 is a view of a second side thereof;  
FIG. 5 is a view of a third side thereof;  
FIG. 6 is a view of a fourth side thereof;  
FIG. 7 is a view of a first end thereof; and,  
FIG. 8 is a view of a second end thereof.  
Broken lines (dashed lines) in the DRAWING indicate unclaimed parts of the article that are not claimed herein, and form no part of the claimed design.

**1 Claim, 3 Drawing Sheets**



(56)

**References Cited**

## U.S. PATENT DOCUMENTS

D732,215 S *	6/2015	Su .....	D26/37
9,061,427 B2 *	6/2015	Rubin .....	B26B 11/00
D738,554 S	9/2015	Dalton et al.	
2010/0277914 A1	11/2010	Bachl et al.	
2012/0182727 A1	7/2012	Sharrah et al.	
2012/0248477 A1	10/2012	Tischler et al.	
2014/0240967 A1	8/2014	Sharrah et al.	
2015/0155453 A1	6/2015	Peil et al.	
2016/0091153 A1	3/2016	McLennan et al.	

## OTHER PUBLICATIONS

Streamlight, Inc., “The LOGO, Keychain Flashlight”, printed Oct. 31, 2016, 2 pages, <http://www.streamlight.com/products/detail/index/the-logo>.

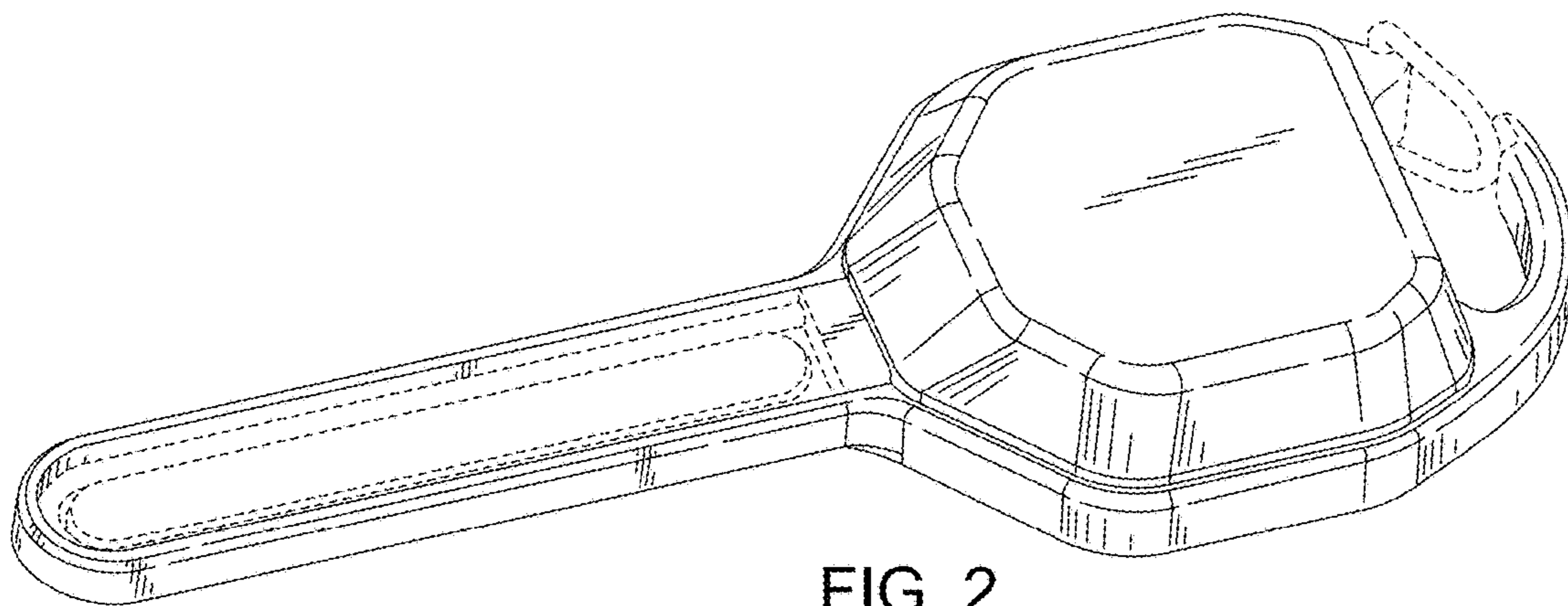
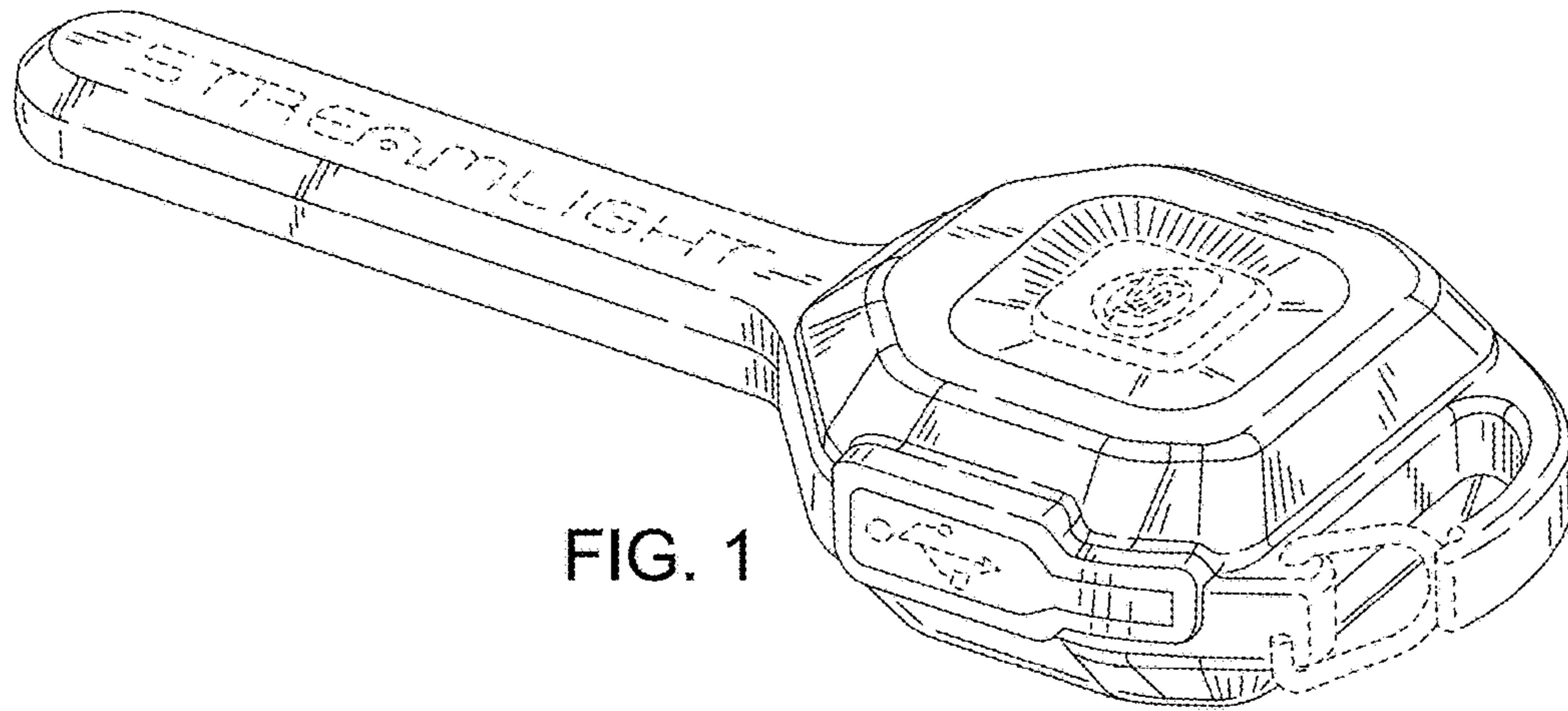
Nebo, “#6431 Larry Boss”, printed Aug. 1, 2016, 2 pages, [https://www.nebotools.com/prod\\_details.php?id=408](https://www.nebotools.com/prod_details.php?id=408).

Nebo, “#6492 Lil Larry—The Power Pocket Light”, printed Aug. 1, 2016, 2 pages, [https://www.nebotools.com/prod\\_details.php?id=414&cid=&subsid=&subsubcid=](https://www.nebotools.com/prod_details.php?id=414&cid=&subsid=&subsubcid=).

Streamlight, Inc., “Keymate USB Ultra-Compact Hands-Free Area Light”, ©2016, [http://www.streamlight.com/docs/default-source/data-sheet/keymateusb\\_datasheet.pdf?sfvrsn=4](http://www.streamlight.com/docs/default-source/data-sheet/keymateusb_datasheet.pdf?sfvrsn=4), Published Nov. 2016.

International Searching Authority, “PCT—International Search Report & Written Opinion”, PCT/US2017/042380, Oct. 10, 2017, 15 pages.

\* cited by examiner



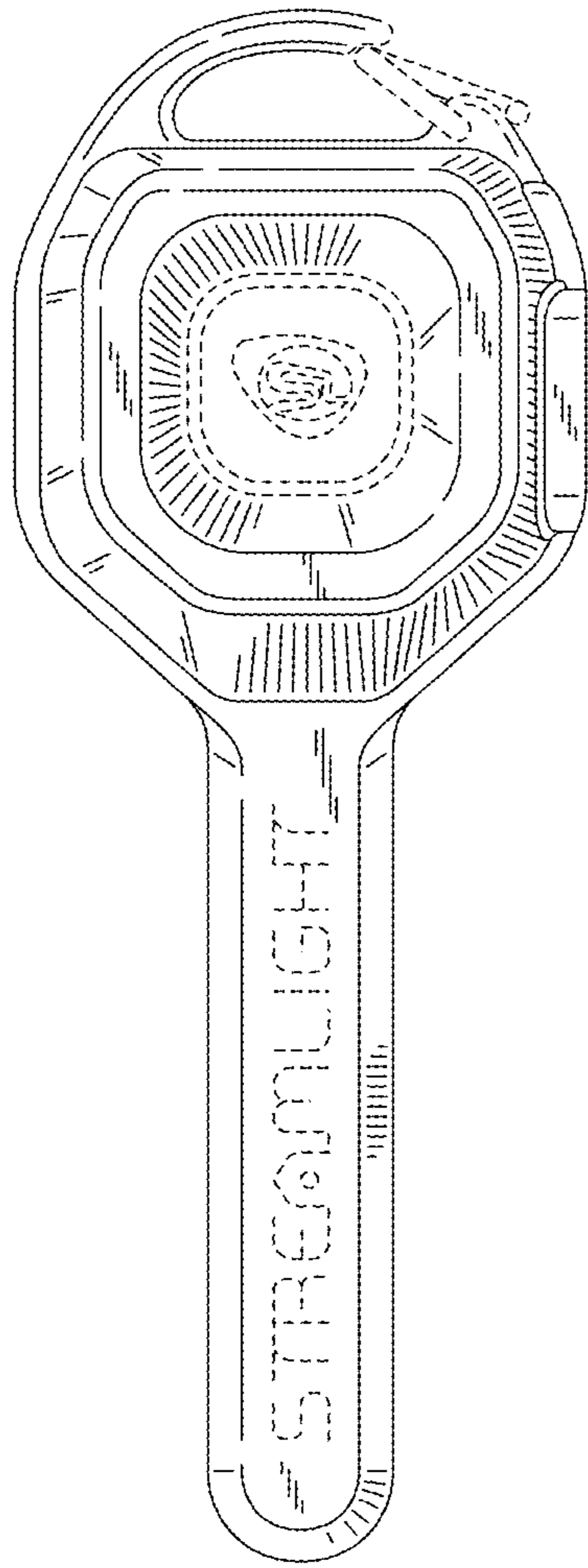


FIG. 3

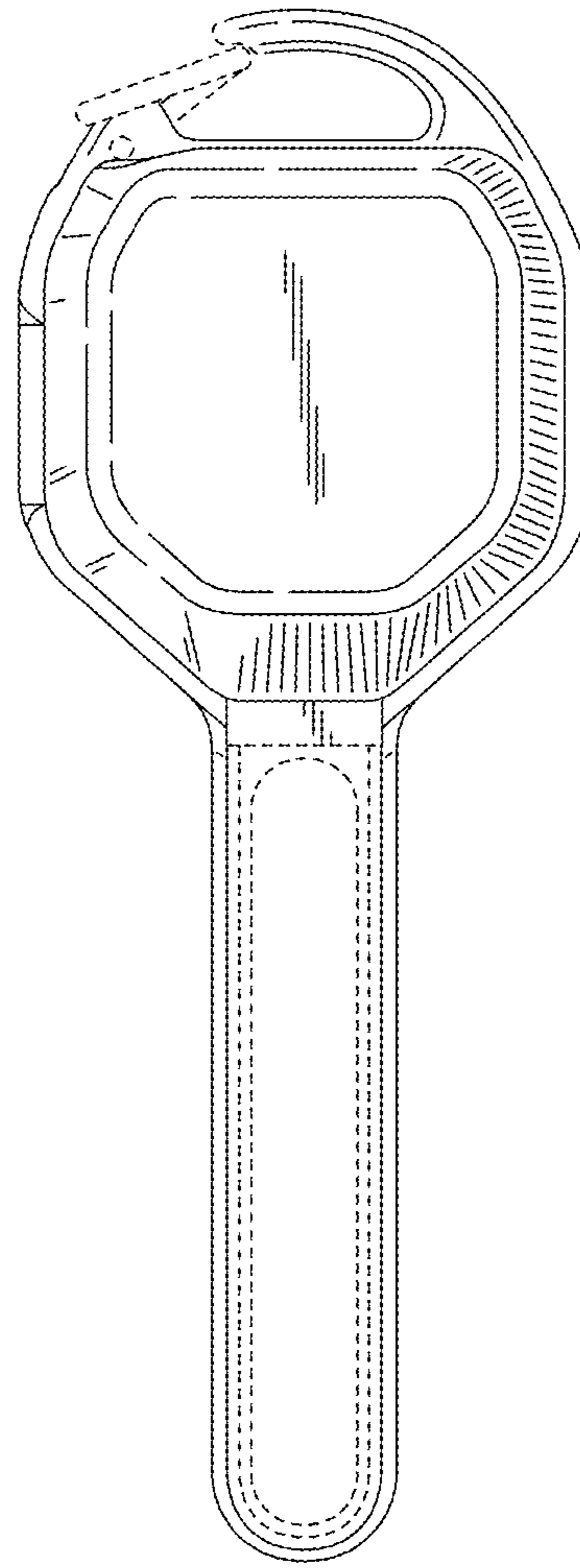


FIG. 4

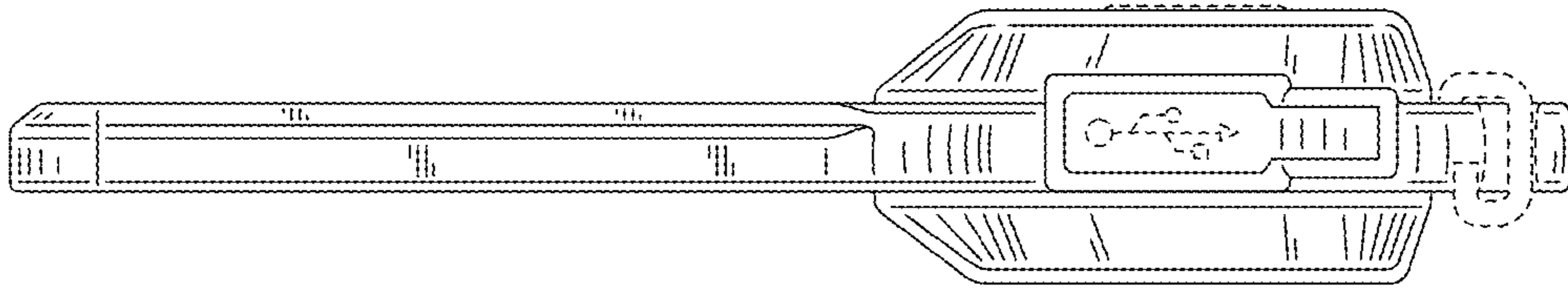


FIG. 5

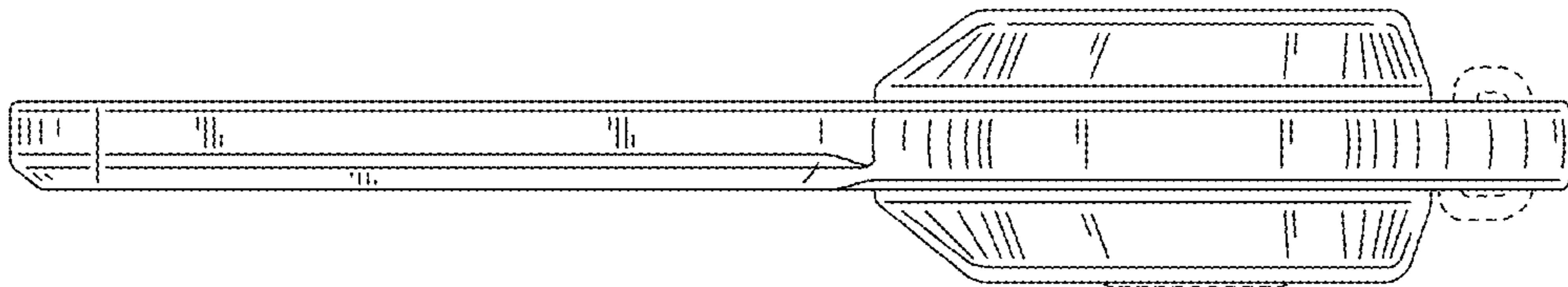


FIG. 6

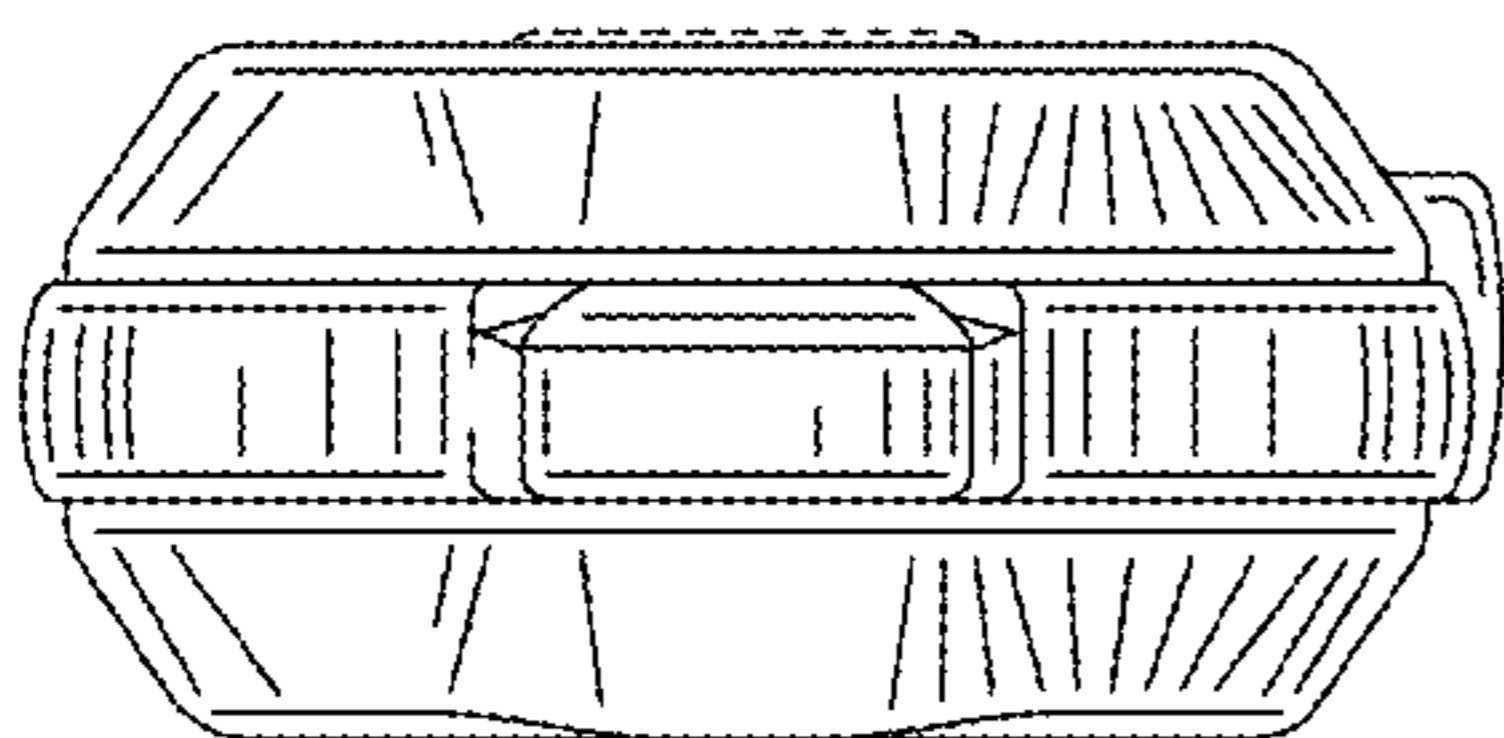


FIG. 7

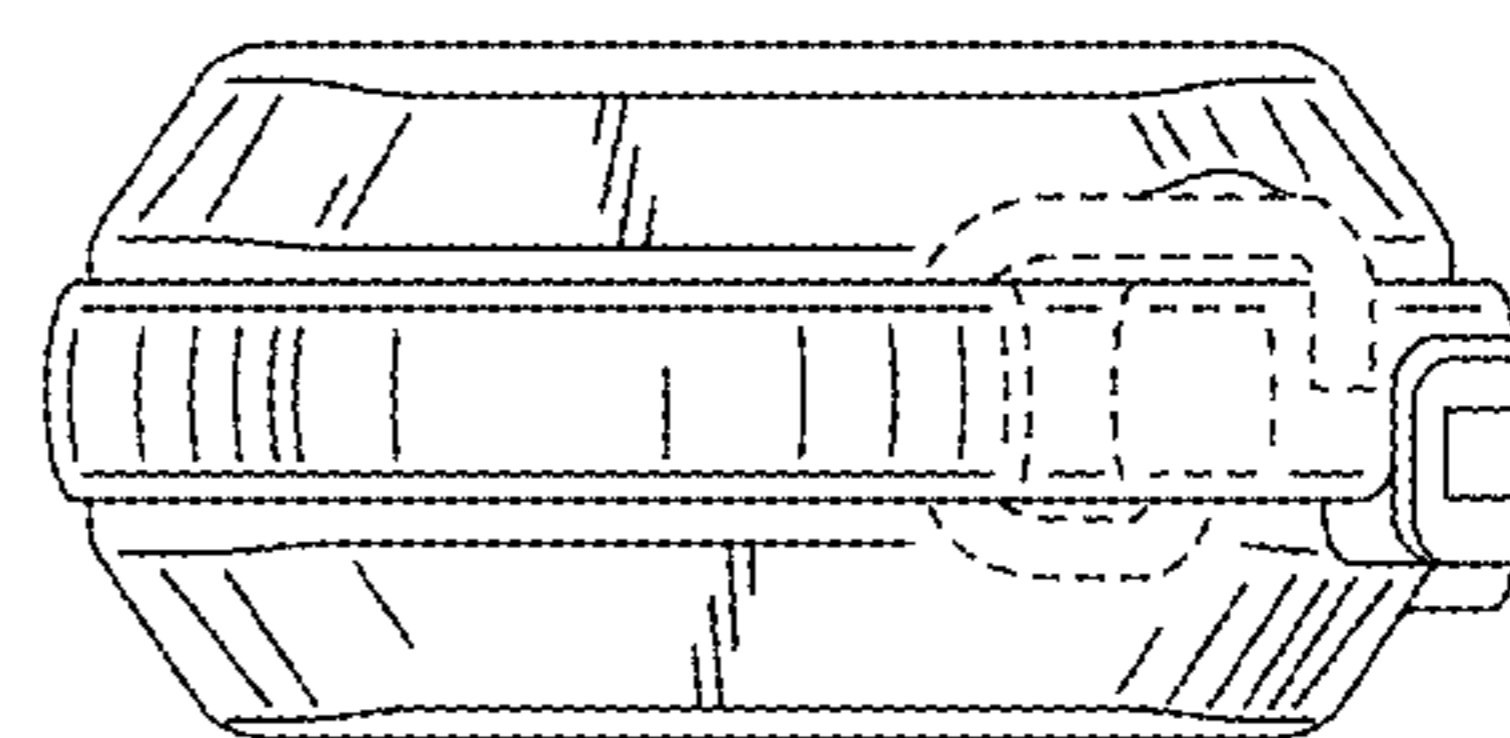


FIG. 8