



US00D814674S

(12) **United States Design Patent**
DiCanzio

(10) **Patent No.:** **US D814,674 S**

(45) **Date of Patent:** **** Apr. 3, 2018**

(54) **FOG LIGHT**

(71) Applicant: **Turn 5, Inc.**, Malvern, PA (US)

(72) Inventor: **Michael DiCanzio**, West Chester, PA (US)

(73) Assignee: **Turn 5, Inc.**, Paoli, PA (US)

(**) Term: **15 Years**

(21) Appl. No.: **29/601,997**

(22) Filed: **Apr. 27, 2017**

(51) **LOC (11) Cl.** **26-06**

(52) **U.S. Cl.**
USPC **D26/28**

(58) **Field of Classification Search**
USPC D26/28-36; 362/80-83, 267-269,
362/459-468, 475-478, 485-487
CPC F21S 48/00; F21S 48/10; F21S 48/115;
F21S 48/1233; F21S 48/1266; F21S
48/1388; F21S 48/2268; F21V 21/04;
B60Q 9/13; B60Q 9/135; B60Q 9/1375
See application file for complete search history.

(56) **References Cited**

U.S. PATENT DOCUMENTS

D550,380 S * 9/2007 Lin D26/28
D560,832 S * 1/2008 Hsu D26/28

D561,358 S * 2/2008 Tachibana D26/28
D563,576 S * 3/2008 Hanaoka D26/28
D570,007 S * 5/2008 Hsu D26/28
D593,232 S * 5/2009 Koman D26/28
D690,853 S * 10/2013 Huang D26/28

* cited by examiner

Primary Examiner — Marcus Jackson

(74) *Attorney, Agent, or Firm* — Spruce Law Group, LLC

(57) **CLAIM**

The ornamental design for the fog light, as shown and described.

DESCRIPTION

FIG. 1 is a perspective view of the fog light of the present invention, with an understanding that mirror views thereof are possible;

FIG. 2 is a mirror view thereof;

FIG. 3 is a front elevation view thereof;

FIG. 4 is a rear elevation view thereof;

FIG. 5 is a right side view thereof;

FIG. 6 is a left side view thereof;

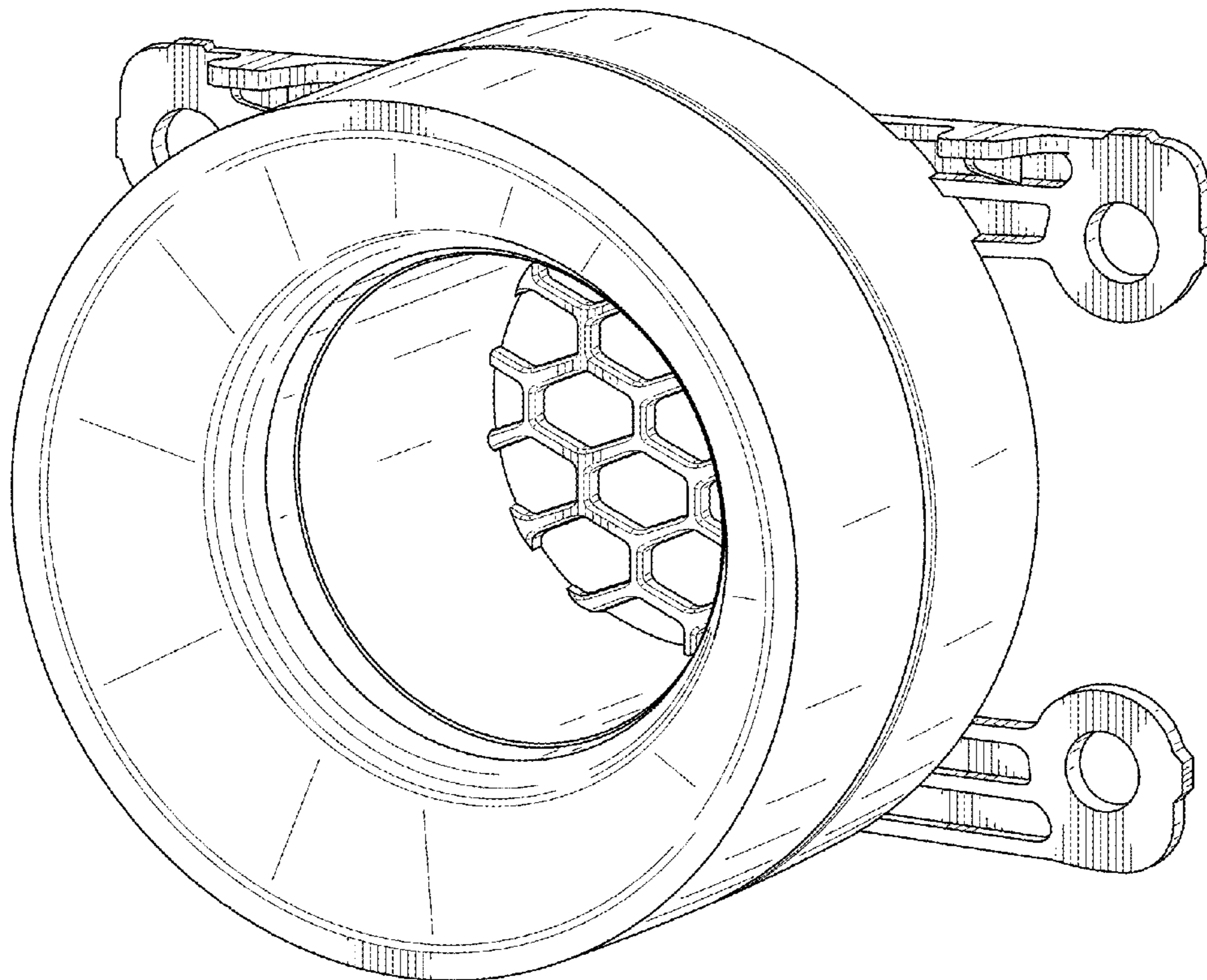
FIG. 7 is a top view thereof;

FIG. 8 is a bottom view thereof; and,

FIG. 9 is a perspective view thereof in a potential environment.

The broken lines illustrate the design's environment and form no part of the claimed design.

1 Claim, 9 Drawing Sheets



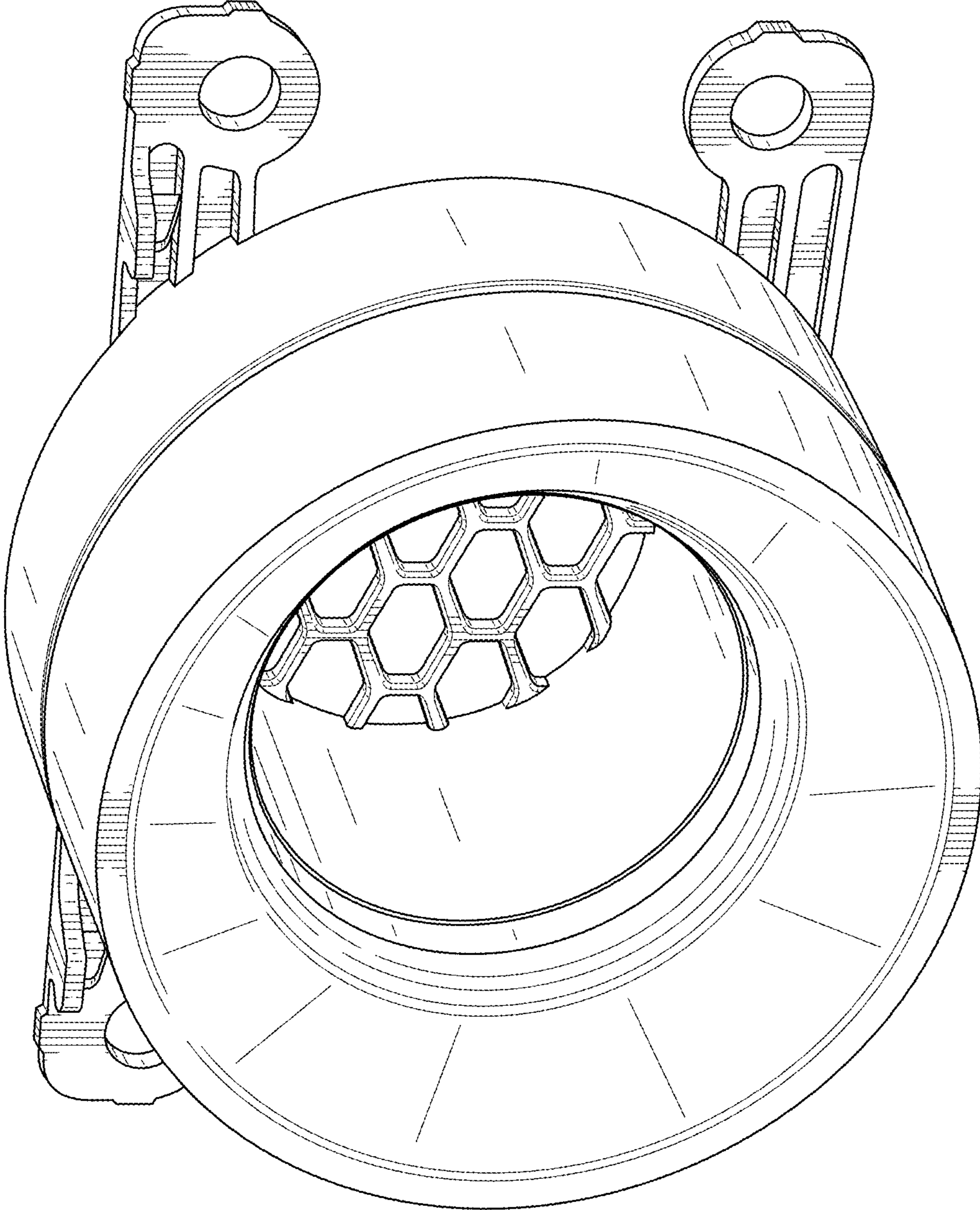


FIG. 1

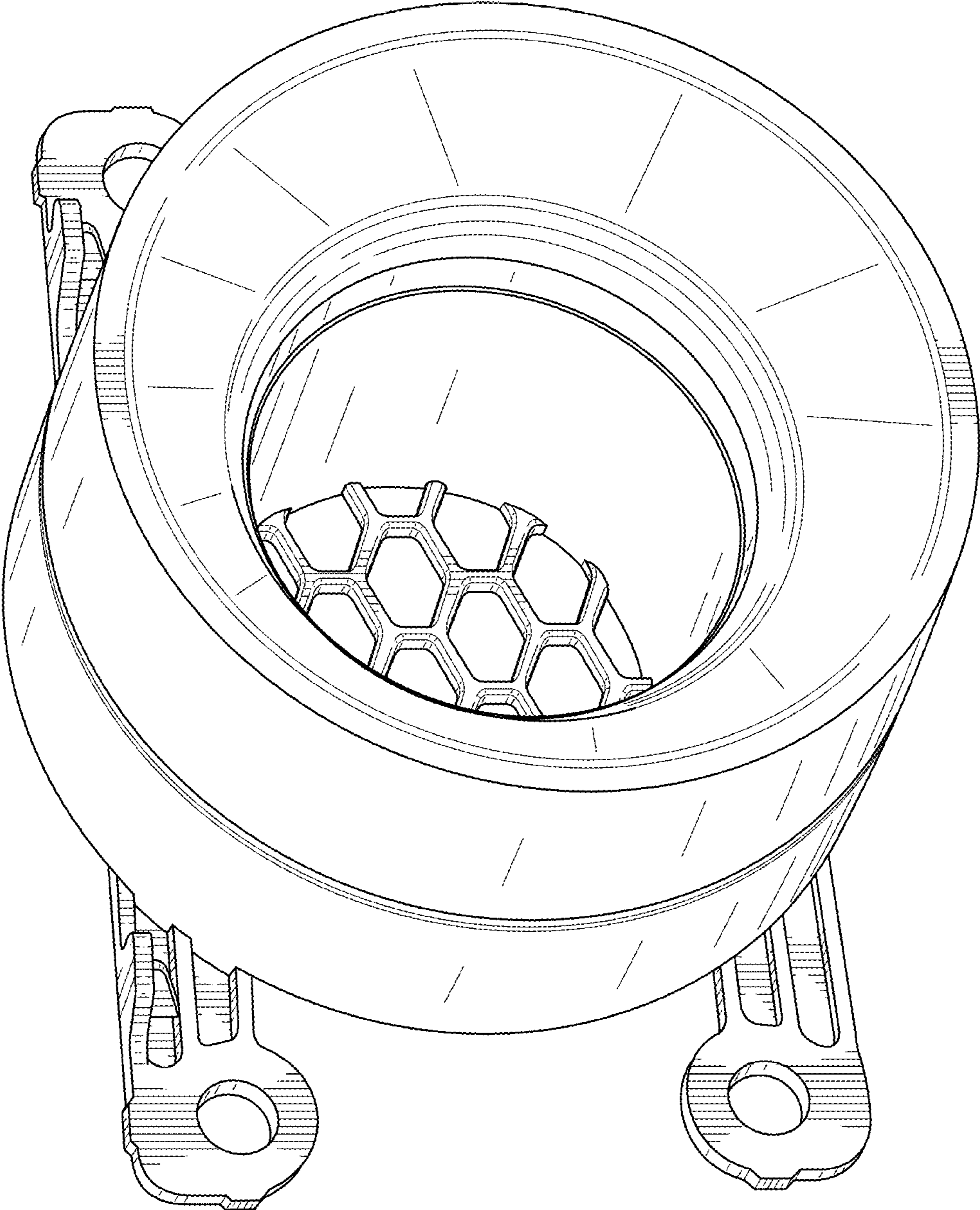


FIG. 2

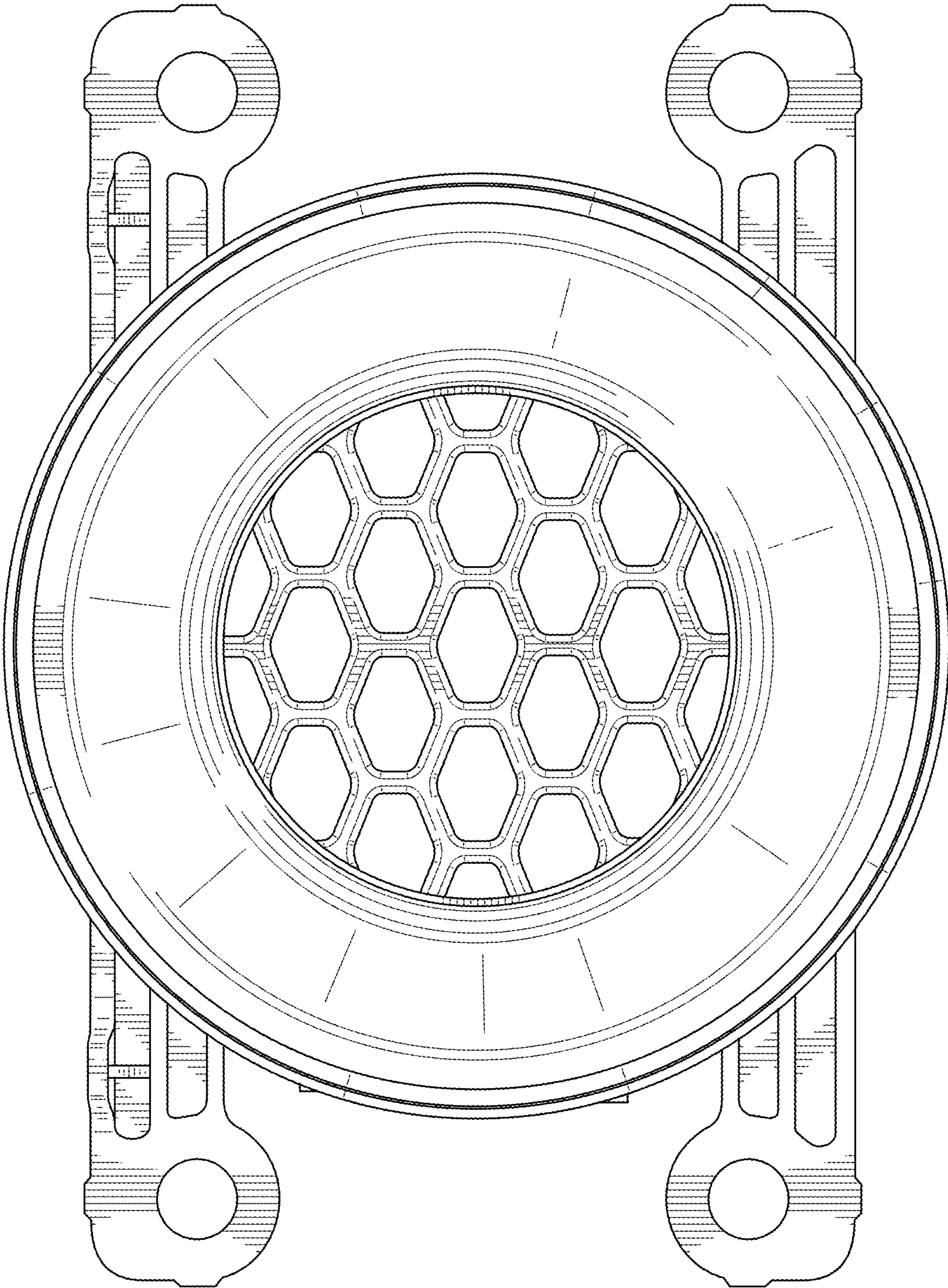


FIG. 3

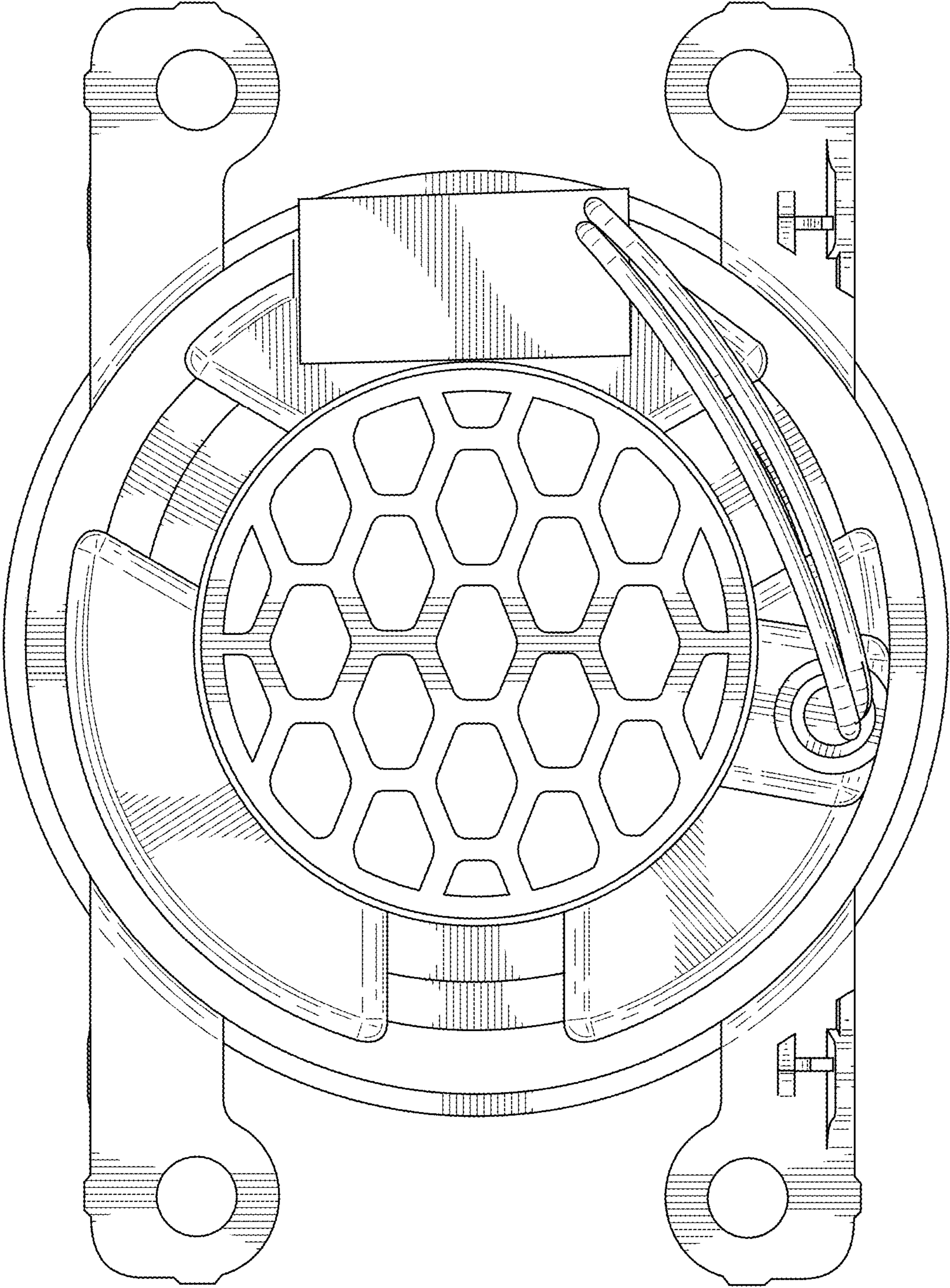


FIG. 4

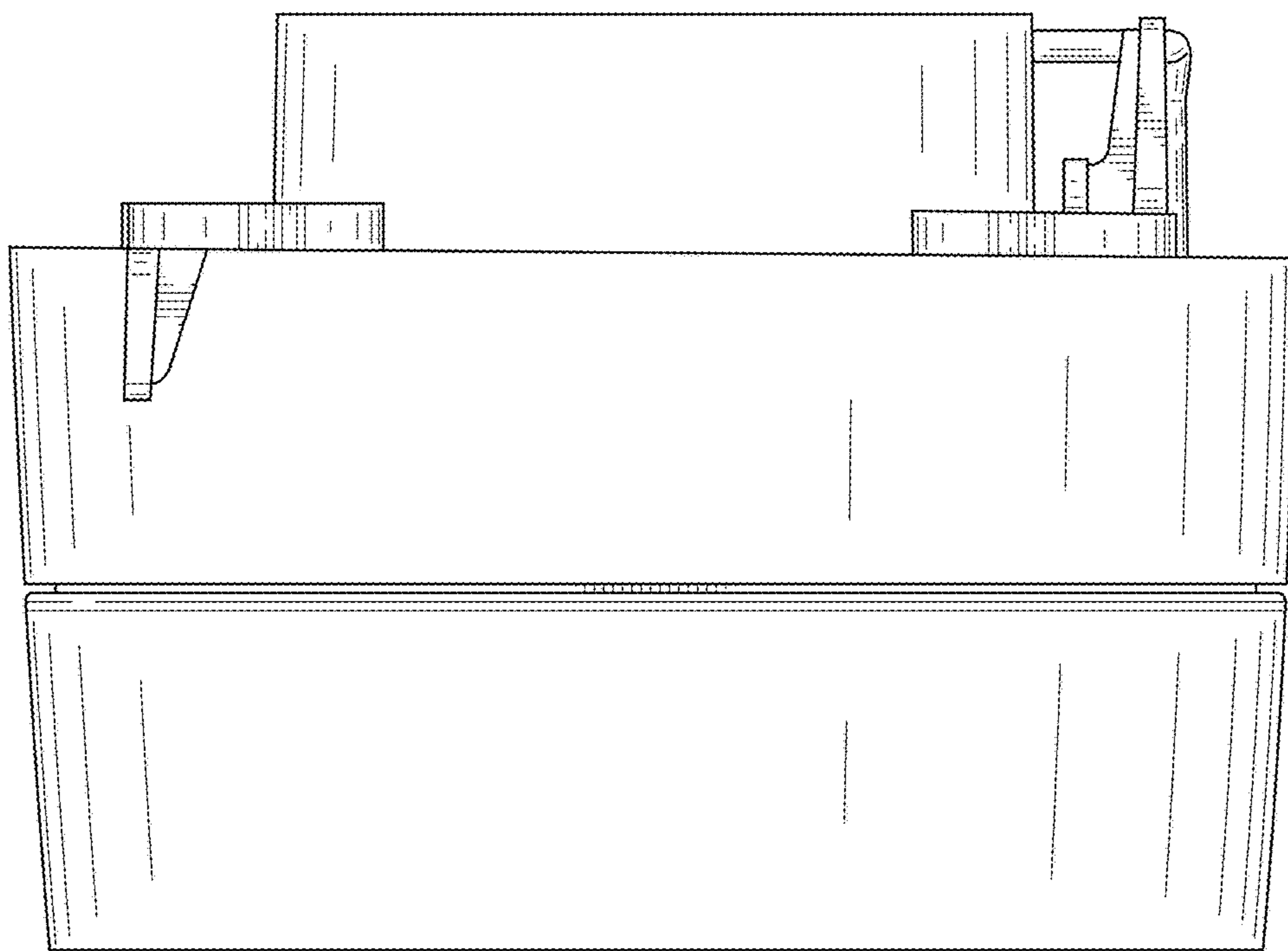


FIG. 5

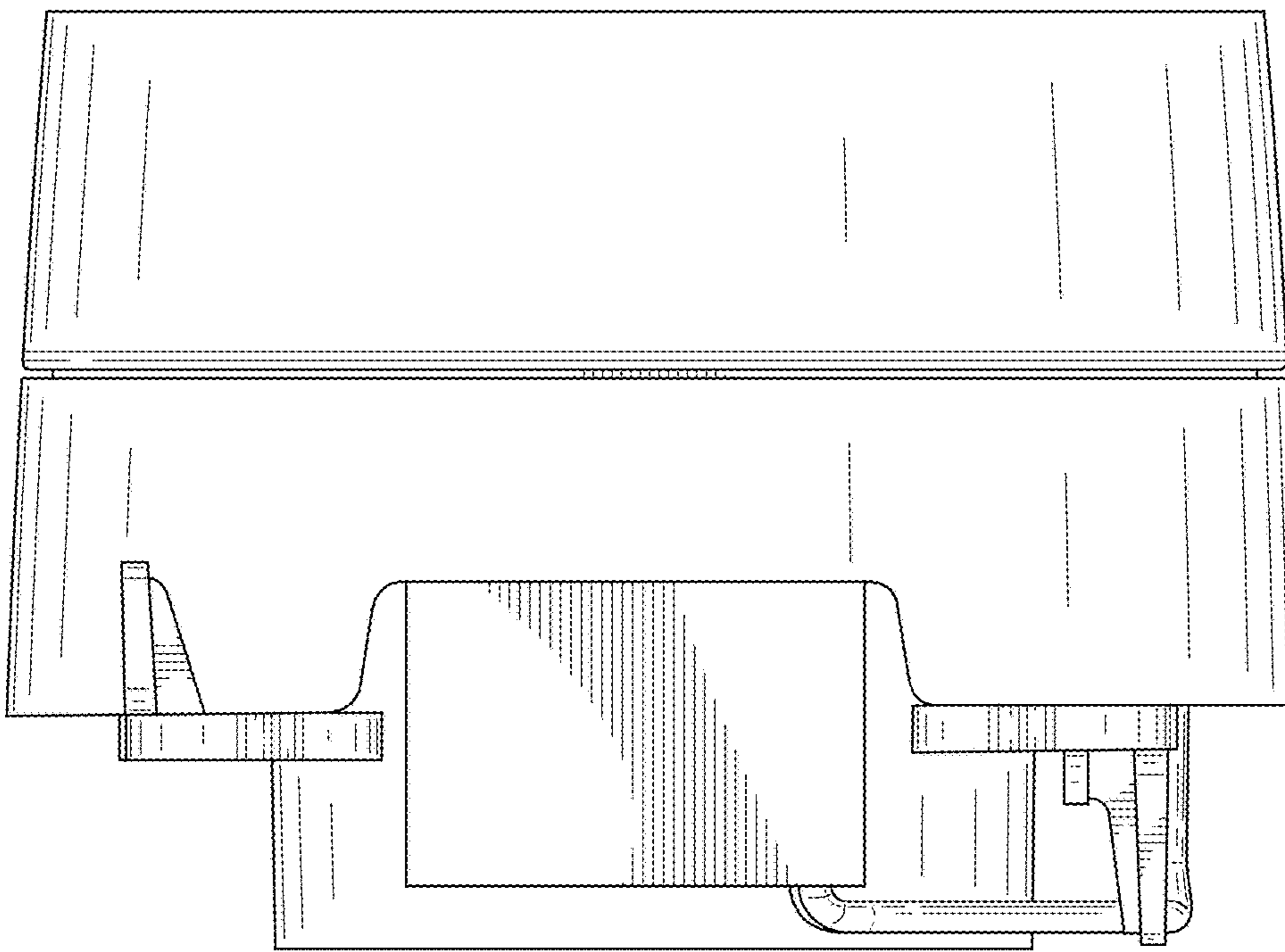


FIG. 6

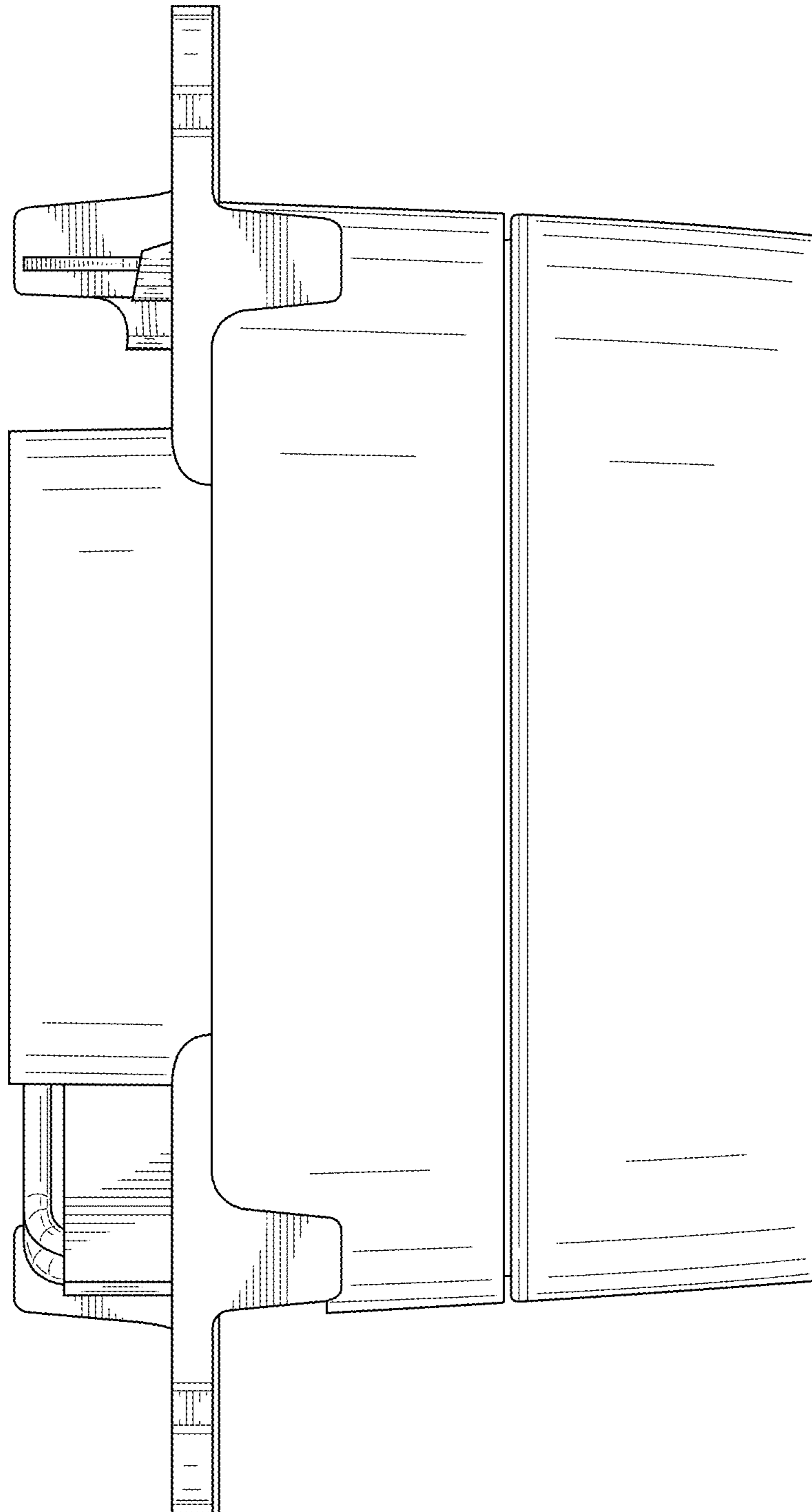


FIG. 7

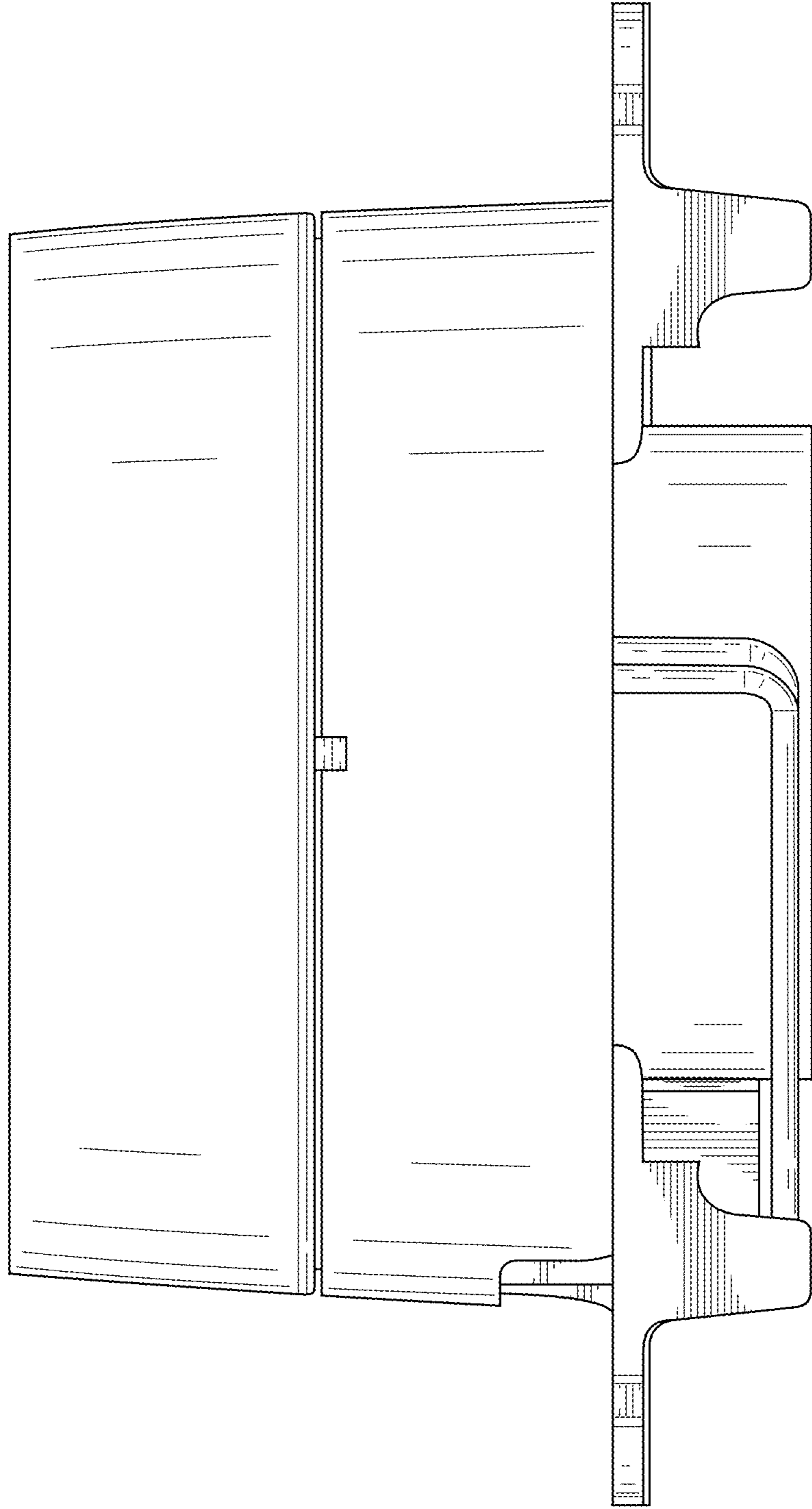


FIG. 8

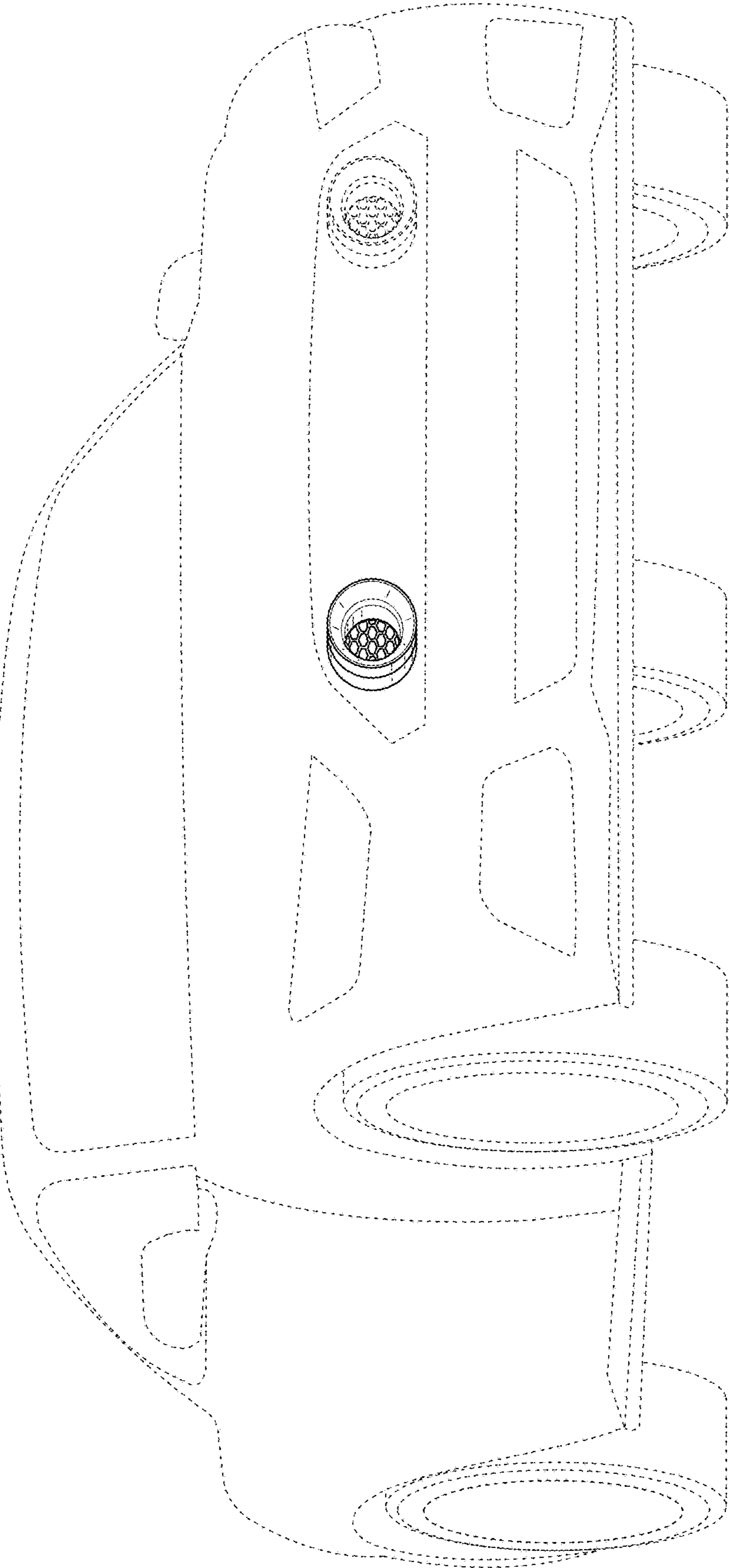


FIG. 9