



US00D814673S

(12) **United States Design Patent**
Morelock

(10) **Patent No.:** **US D814,673 S**

(45) **Date of Patent:** **** Apr. 3, 2018**

(54) **MOTORCYCLE TAILLIGHT**

(56) **References Cited**

(71) Applicant: **Custom Dynamics LLC**, Youngsville,
NC (US)

(72) Inventor: **David Morelock**, Escondido, CA (US)

(73) Assignee: **Custom Dynamics LLC**, Youngsville,
NC (US)

(**) Term: **15 Years**

(21) Appl. No.: **29/601,319**

(22) Filed: **Apr. 21, 2017**

(51) **LOC (11) Cl.** **26-06**

(52) **U.S. Cl.**
USPC **D26/28**

(58) **Field of Classification Search**
USPC D26/28-36; 362/80-83, 267-269,
362/459-468, 475-478, 485-487
CPC F21S 48/00; F21S 48/10; F21S 48/115;
F21S 48/1233; F21S 48/1266; F21S
48/1388; F21S 48/2268; F21V 21/04;
B60Q 9/13; B60Q 9/135; B60Q 9/1375

See application file for complete search history.

U.S. PATENT DOCUMENTS

D517,708 S *	3/2006	Phillips	D26/28
D547,888 S *	7/2007	Conway	D26/28
D565,758 S *	4/2008	Conway	D26/28
D590,079 S *	4/2009	Higashikawa	D26/28
D592,328 S *	5/2009	Chen	D26/28

* cited by examiner

Primary Examiner — Marcus Jackson

(74) *Attorney, Agent, or Firm* — Coats & Bennett PLLC

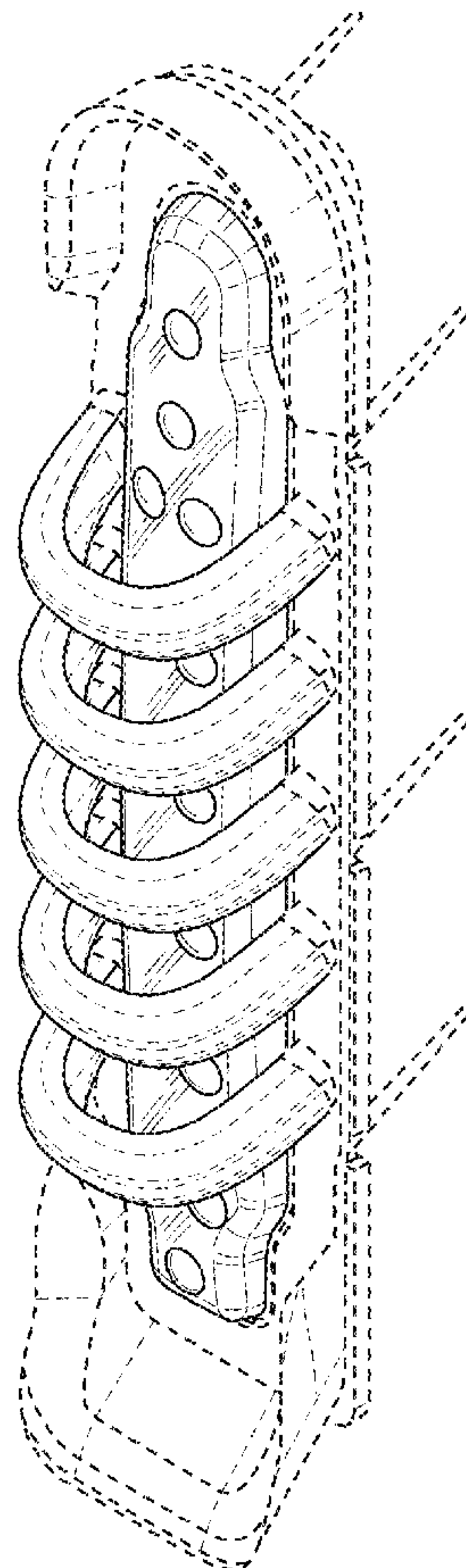
(57) **CLAIM**

The ornamental design for a motorcycle taillight, as shown and described.

DESCRIPTION

FIG. 1 is a perspective view of the motorcycle taillight. FIG. 2 is a front elevational view of the motorcycle taillight. FIG. 3 is a side elevational view of the motorcycle taillight with the opposite side being a mirror image of the same. FIG. 4 is a top plan view of the motorcycle taillight; and, FIG. 5 is a bottom view of the motorcycle taillight. The back forms no part of the claimed design. The broken lines form no part of the claimed design.

1 Claim, 4 Drawing Sheets



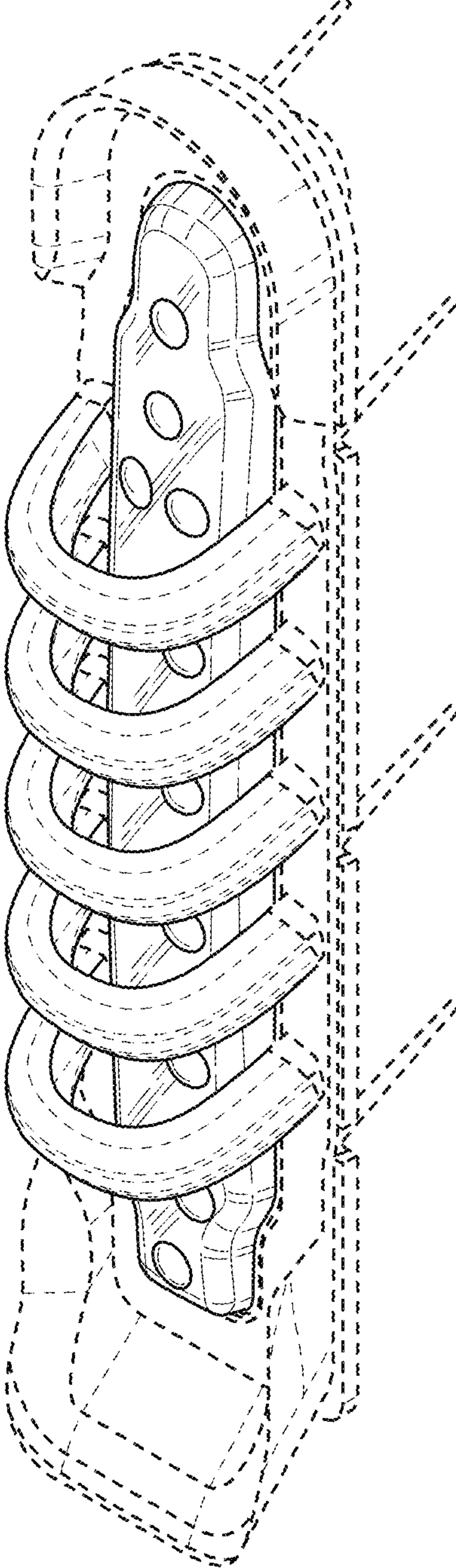


FIG. 1

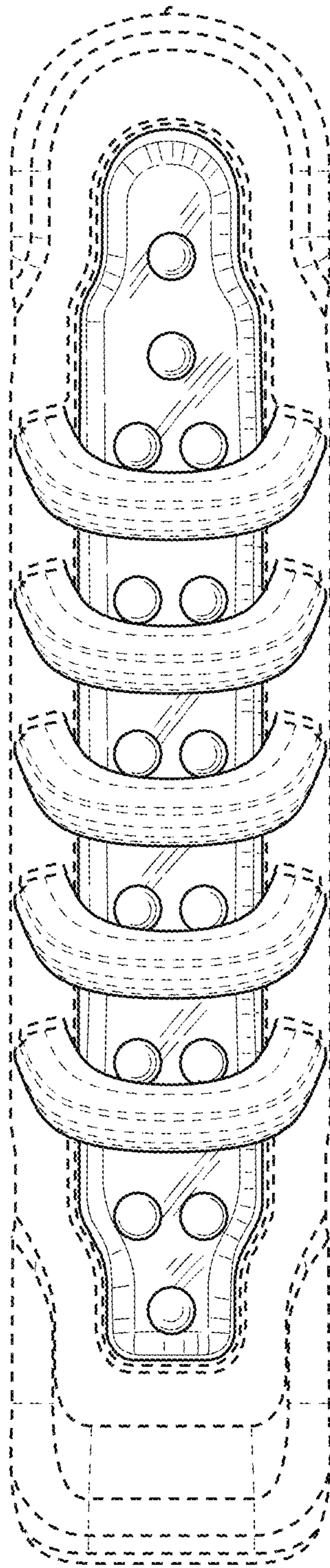


FIG. 2

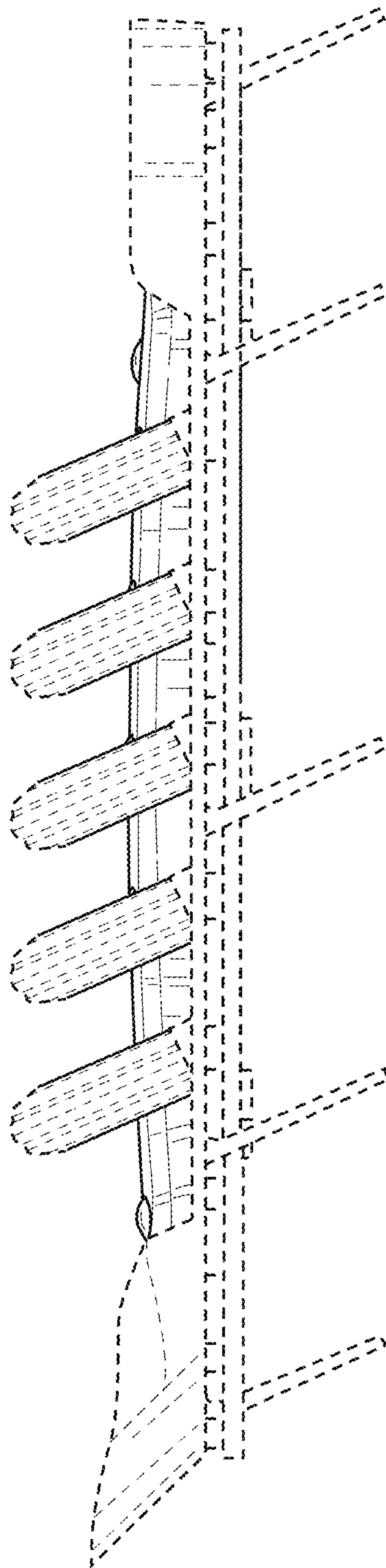


FIG. 3

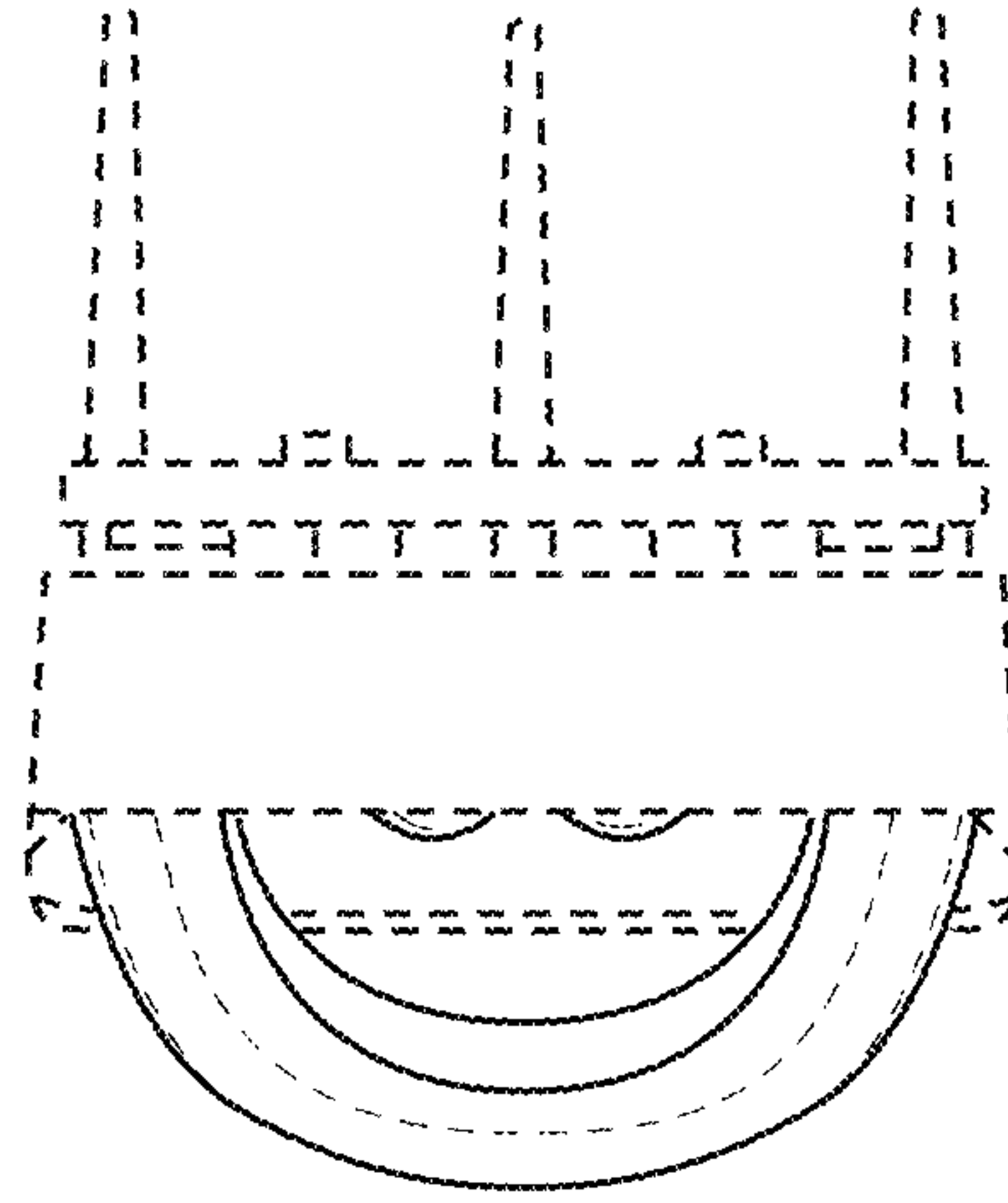


FIG. 4

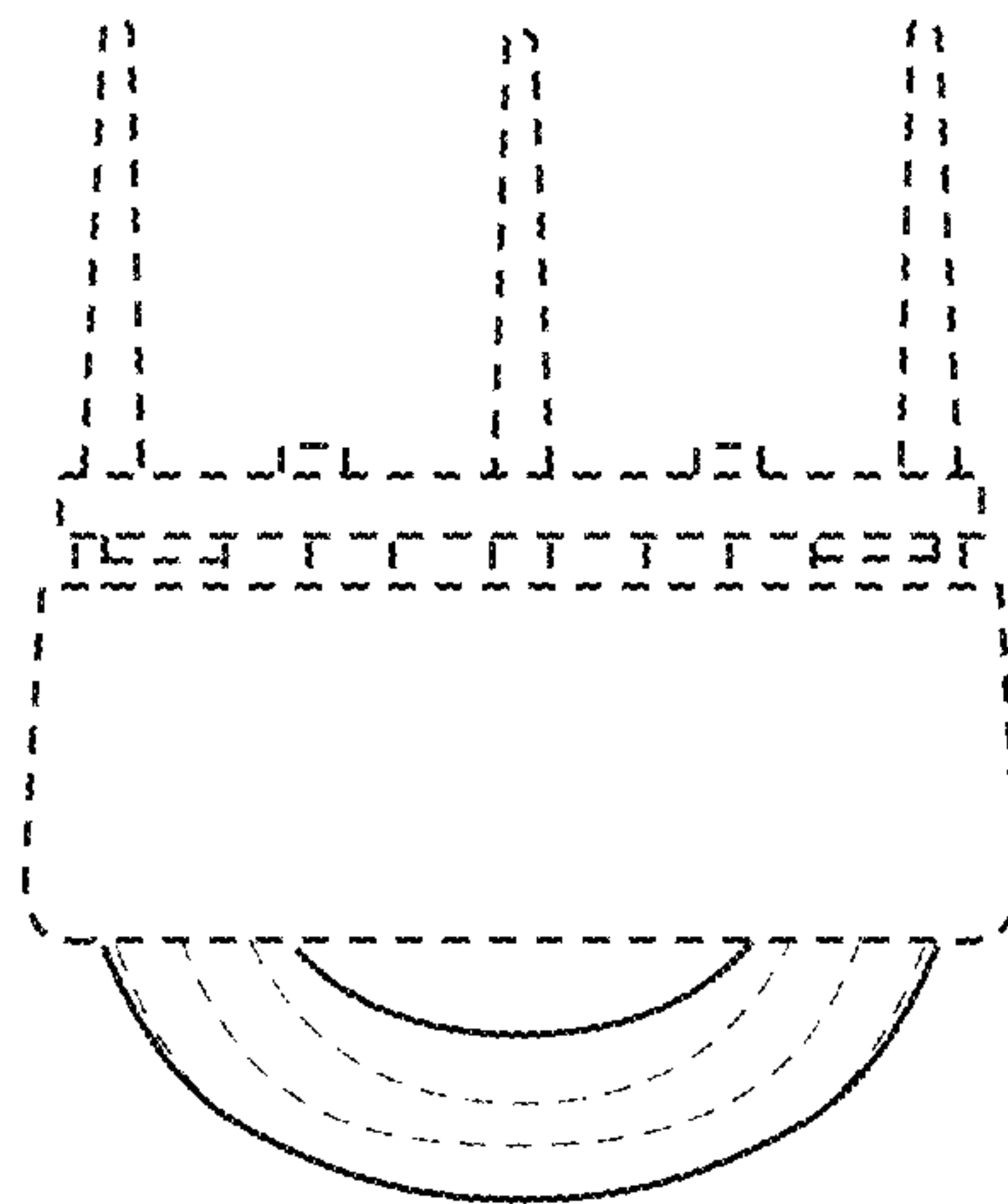


FIG. 5