



US00D814672S

(12) **United States Design Patent**  
**Smith, Jr. et al.**

(10) **Patent No.:** **US D814,672 S**

(45) **Date of Patent:** **\*\* Apr. 3, 2018**

(54) **HEADLIGHT FOR A TRUCK VEHICLE**

(71) Applicant: **International Truck Intellectual Property Company, LLC**, Lisle, IL (US)

(72) Inventors: **James Leroy Smith, Jr.**, Batavia, IL (US); **David James Olsen**, Aurora, IL (US); **Patrick James Quinn**, Wheaton, IL (US); **Stephen C. Aris**, St. Charles, IL (US); **Chris Isamu Ito**, Sugar Grove, IL (US)

(73) Assignee: **International Truck Intellectual Property Company, LLC**, Lisle, IL (US)

(\*\*) Term: **15 Years**

(21) Appl. No.: **29/597,877**

(22) Filed: **Mar. 21, 2017**

(51) **LOC (11) Cl.** ..... **26-07**

(52) **U.S. Cl.**  
USPC ..... **D26/28**

(58) **Field of Classification Search**  
USPC ..... D26/28-36; 362/459-468, 475-478, 362/485-487

CPC ..... F21S 48/00; F21S 48/10; F21S 48/115; F21S 48/225; F21S 48/1233; F21S 48/1266; F21S 48/1388; F21S 48/2268; F21V 21/04

See application file for complete search history.

(56) **References Cited**

**U.S. PATENT DOCUMENTS**

6,053,043 A 4/2000 Dannenberg et al.  
D529,223 S 9/2006 Beigel et al.  
D601,732 S \* 10/2009 Han ..... D26/28

D608,498 S 1/2010 Beigel et al.  
D640,826 S 6/2011 Beigel et al.  
D661,011 S 5/2012 Parkes et al.  
D661,012 S 5/2012 Parkes et al.  
D684,710 S \* 6/2013 Chen ..... D26/28  
D691,754 S \* 10/2013 Chen ..... D26/28  
D723,723 S \* 3/2015 Goto ..... D26/28  
D735,920 S \* 8/2015 Honda ..... D26/28  
D745,717 S \* 12/2015 Wu ..... D26/28  
D745,719 S \* 12/2015 Boniface ..... D26/28  
D752,780 S \* 3/2016 Hall ..... D26/28  
D765,281 S \* 8/2016 Lai ..... D26/28  
D778,490 S 2/2017 Ito et al.  
D778,491 S 2/2017 Ito et al.  
D780,965 S \* 3/2017 Binder ..... D26/28  
D780,966 S \* 3/2017 Binder ..... D26/28  
D789,575 S \* 6/2017 Willett ..... D26/28  
D790,742 S \* 6/2017 Imai ..... D26/28

\* cited by examiner

*Primary Examiner* — Angela J Lee

(74) *Attorney, Agent, or Firm* — Jeffrey P. Calfa; Mark C. Bach

(57) **CLAIM**

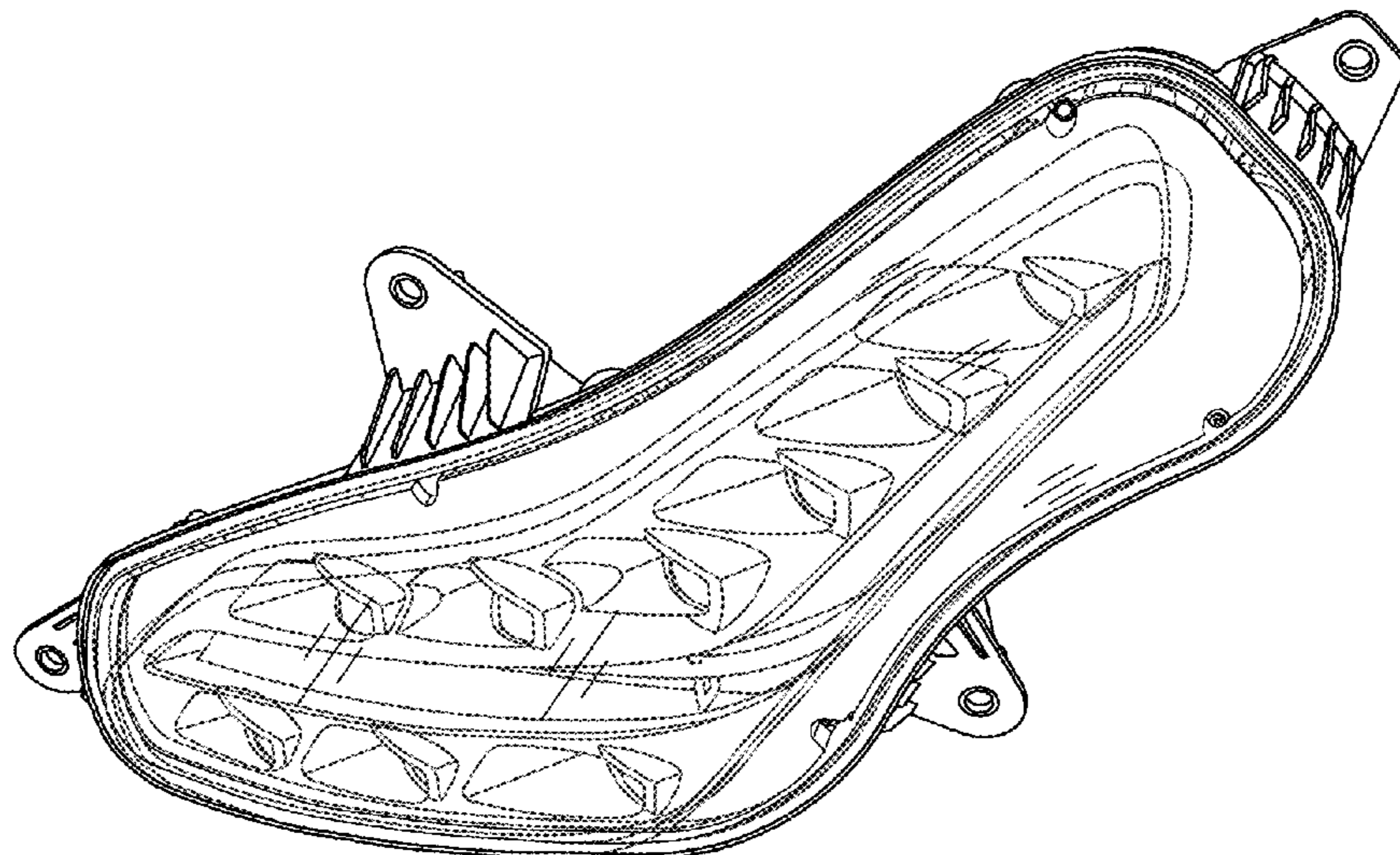
The ornamental design for headlight for a truck vehicle, as shown and described.

**DESCRIPTION**

This invention was made with U.S. Government support under DE-EE0003303 awarded by The U.S. Department of Energy. The U.S. Government has certain rights in this invention.

FIG. 1 is a front right hand side view of the headlight; FIG. 2 is a front left hand side view of the headlight; FIG. 3 is a right hand side rear view of the headlight; FIG. 4 is a left hand side rear view of the headlight; FIG. 5 is a bottom view of the headlight; and, FIG. 6 is a top view of the headlight.

**1 Claim, 6 Drawing Sheets**



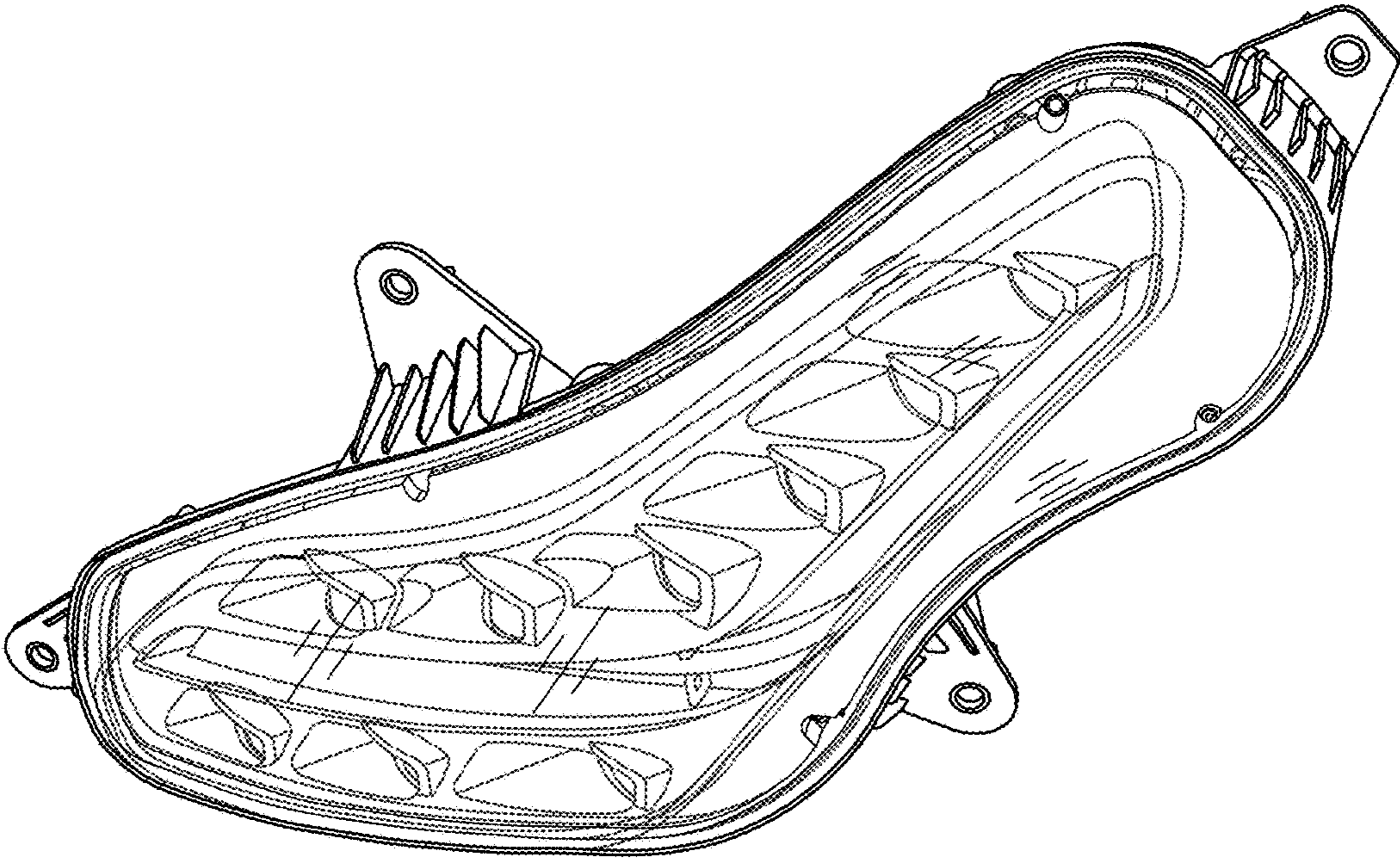


FIG. 1



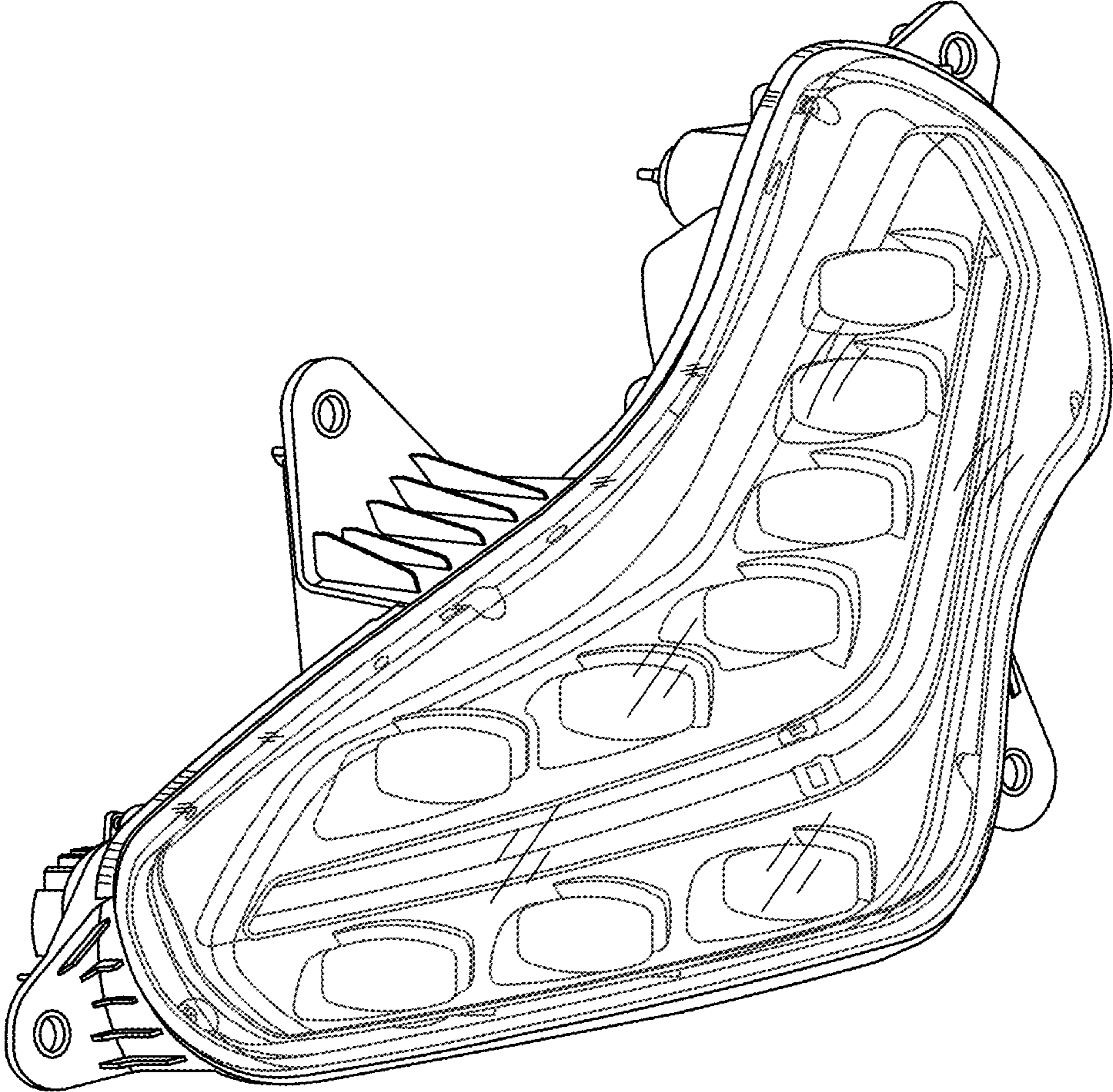


FIG. 2

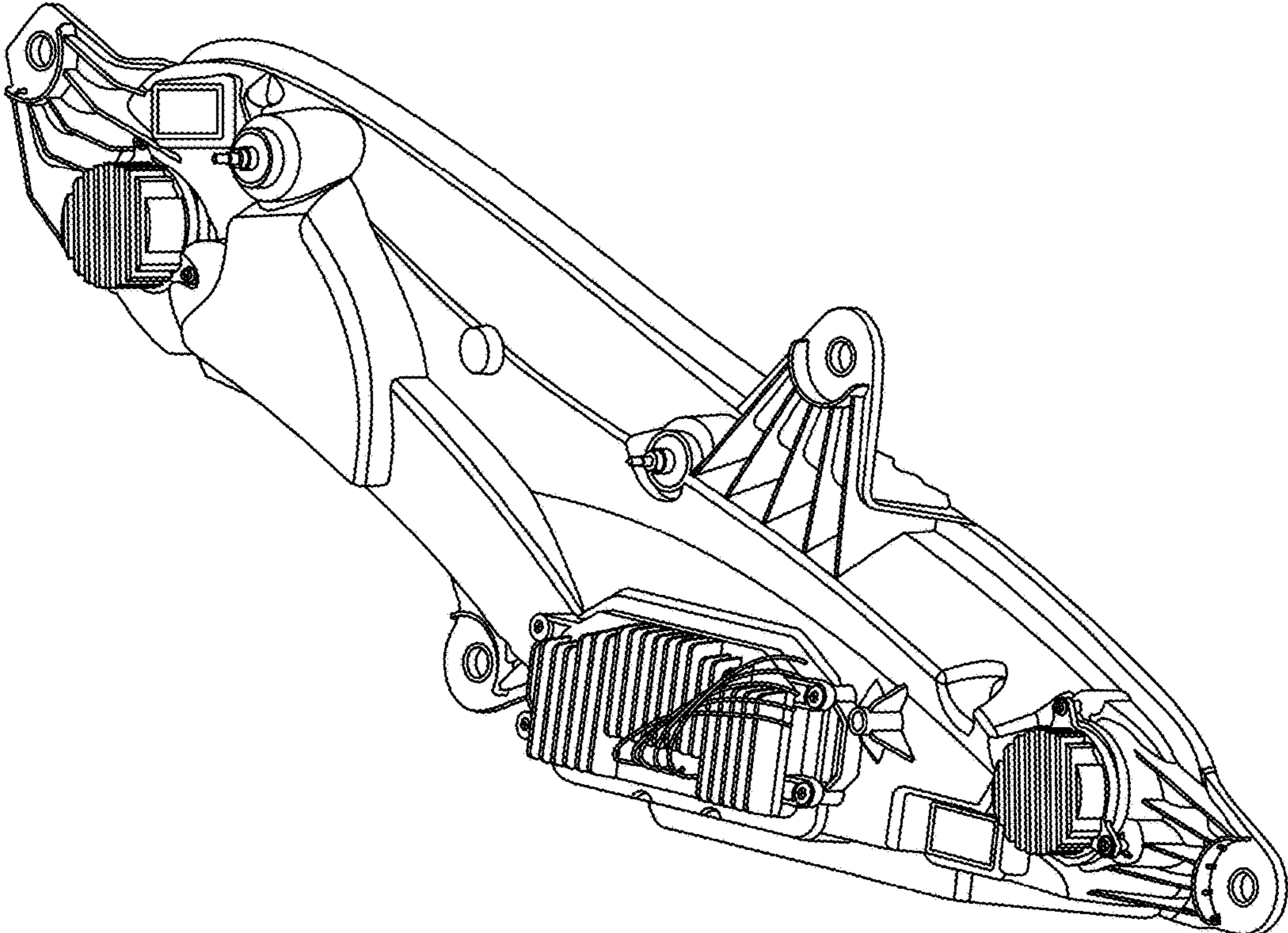


FIG. 3

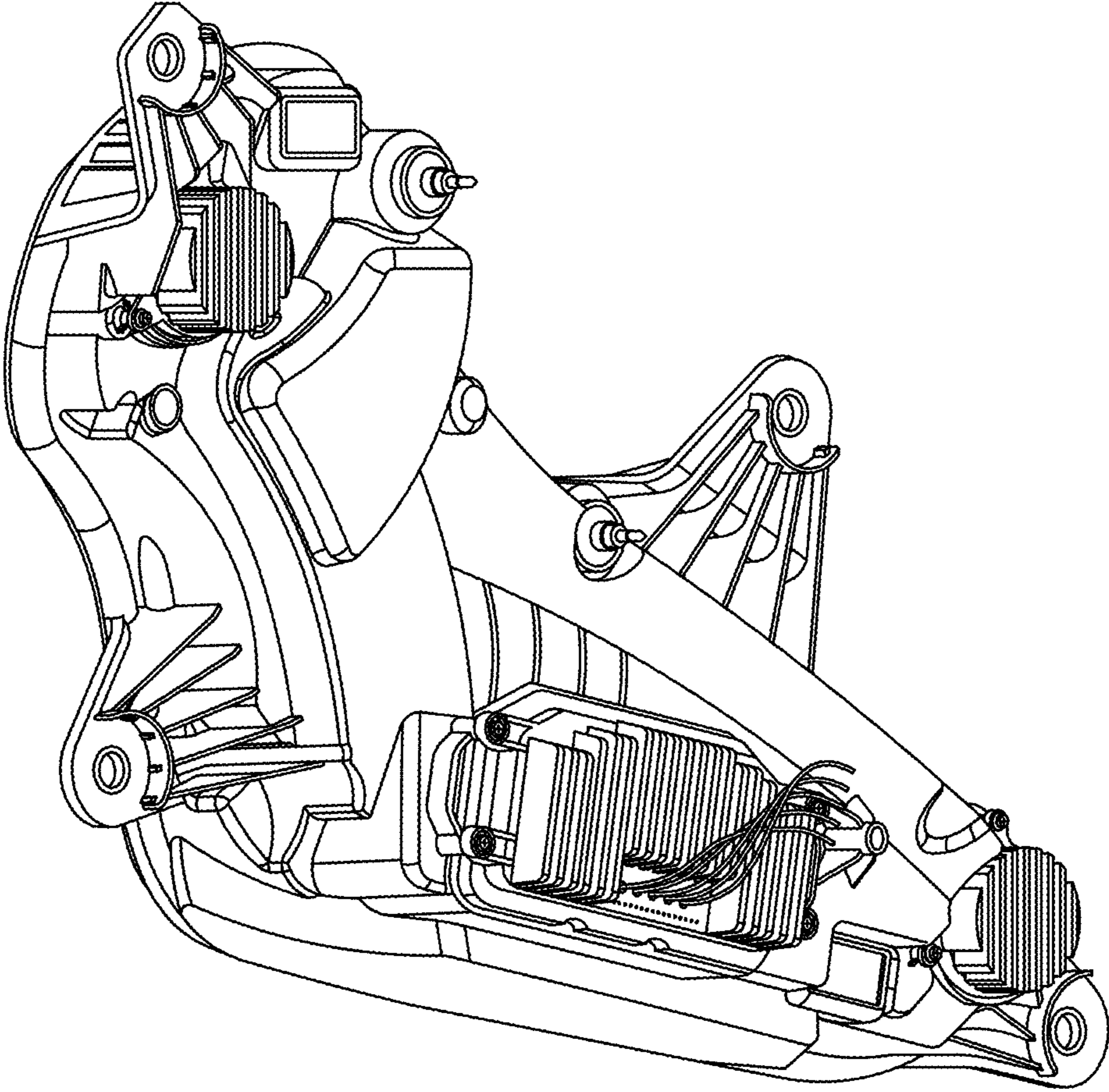


FIG. 4



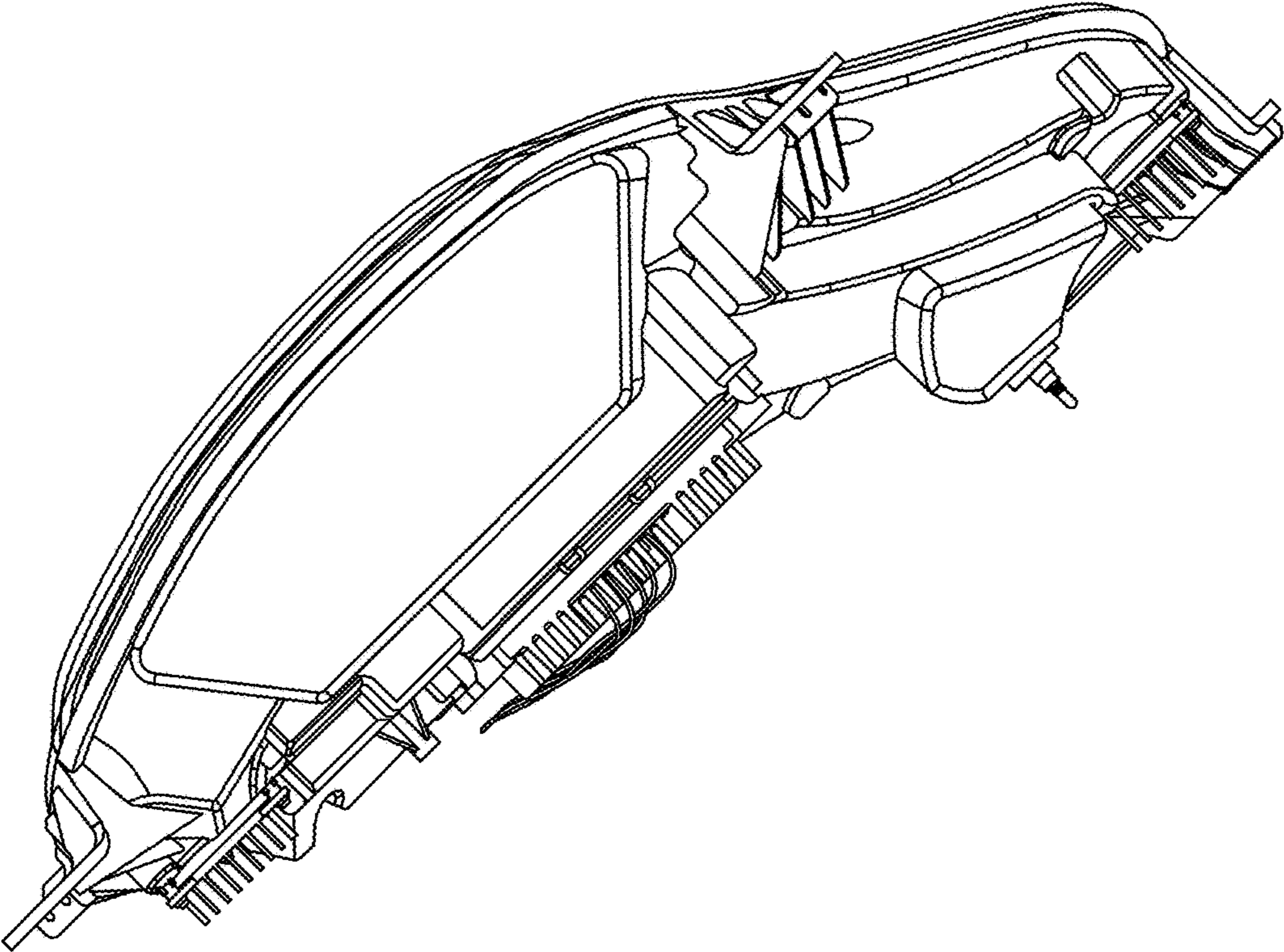


FIG. 5

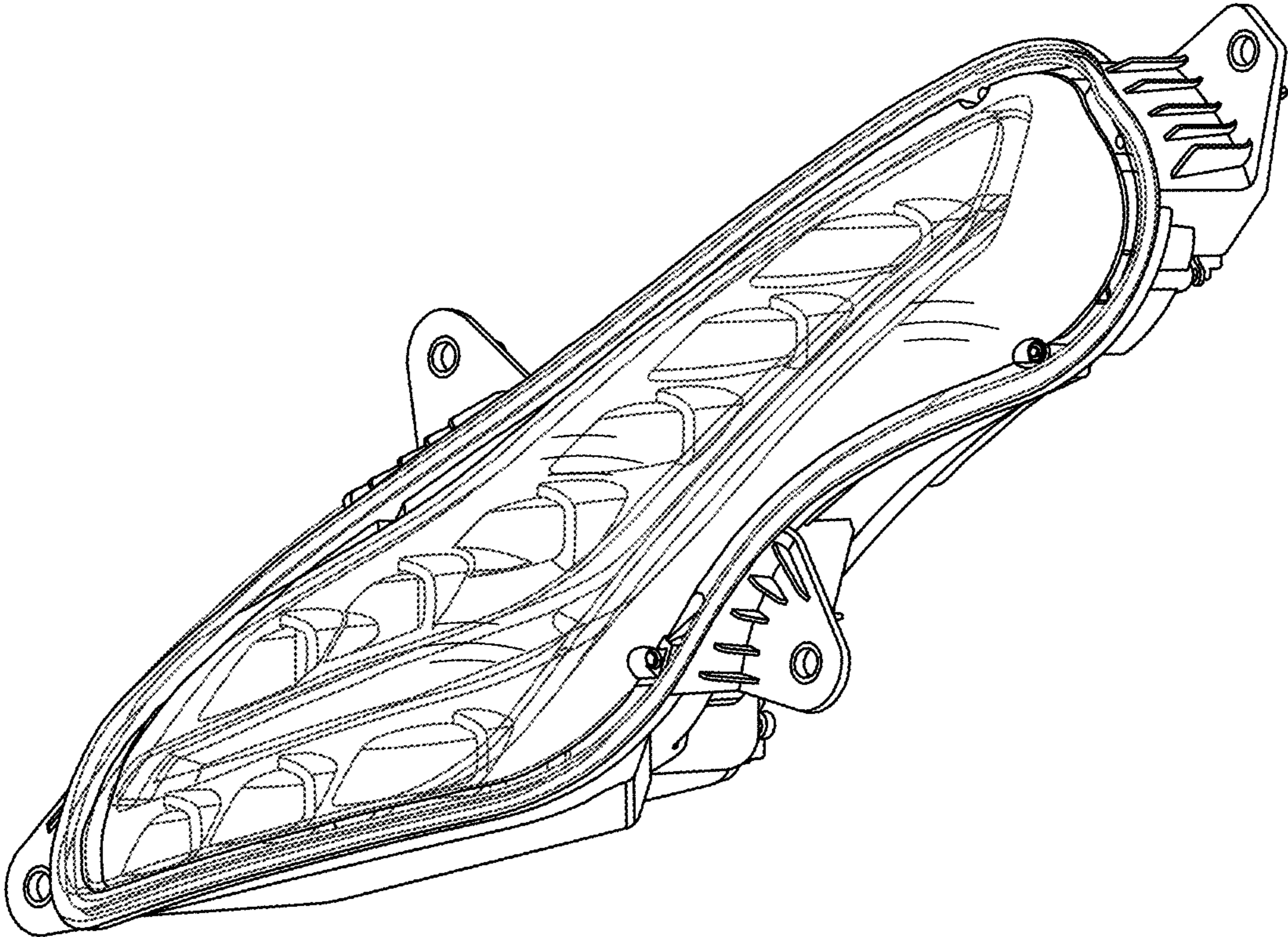


FIG. 6