



US00D814671S

(12) **United States Design Patent**
del Rosario

(10) **Patent No.:** **US D814,671 S**

(45) **Date of Patent:** **** Apr. 3, 2018**

(54) **HEADLIGHT**

D688,400 S * 8/2013 Haumann D26/28
D716,477 S * 10/2014 Chu D26/28
D718,478 S * 11/2014 Adams D26/28

(71) Applicant: **Lee Bryant del Rosario**, Sun Valley,
CA (US)

* cited by examiner

(72) Inventor: **Lee Bryant del Rosario**, Sun Valley,
CA (US)

Primary Examiner — Marcus Jackson
(74) *Attorney, Agent, or Firm* — Dunlap Bennett &
Ludwig PLLC

(**) Term: **15 Years**

(21) Appl. No.: **29/591,349**

(57) **CLAIM**

(22) Filed: **Jan. 19, 2017**

The ornamental design for a headlight, as shown and
described.

Related U.S. Application Data

DESCRIPTION

(63) Continuation-in-part of application No. 29/544,725,
filed on Nov. 5, 2015, now Pat. No. Des. 779,692.

(51) **LOC (11) Cl.** **26-06**

(52) **U.S. Cl.**
USPC **D26/28**

(58) **Field of Classification Search**
USPC D26/28–36; 362/80–83, 267–269,
362/459–468, 475–478, 485–487

CPC F21S 48/00; F21S 48/10; F21S 48/115;
F21S 48/1233; F21S 48/1266; F21S
48/1388; F21S 48/2268; F21V 21/04
See application file for complete search history.

FIG. 1 is a perspective view of a first embodiment of a
headlight;
FIG. 2 is a front elevation view of FIG. 1;
FIG. 3 is a rear elevation view of FIG. 1;
FIG. 4 is a top plan view of FIG. 1;
FIG. 5 is a bottom plan view of FIG. 1;
FIG. 6 is a right elevation view of FIG. 1, the left elevation
view being a mirror image thereof;
FIG. 7 is a perspective view of a second embodiment of the
headlight;
FIG. 8 is a front elevation view of FIG. 7;
FIG. 9 is a rear elevation view of FIG. 7;
FIG. 10 is a top plan view of FIG. 7;
FIG. 11 is a bottom plan view of FIG. 7; and,
FIG. 12 is a right elevation view of FIG. 7, the left elevation
view being a mirror image thereof.

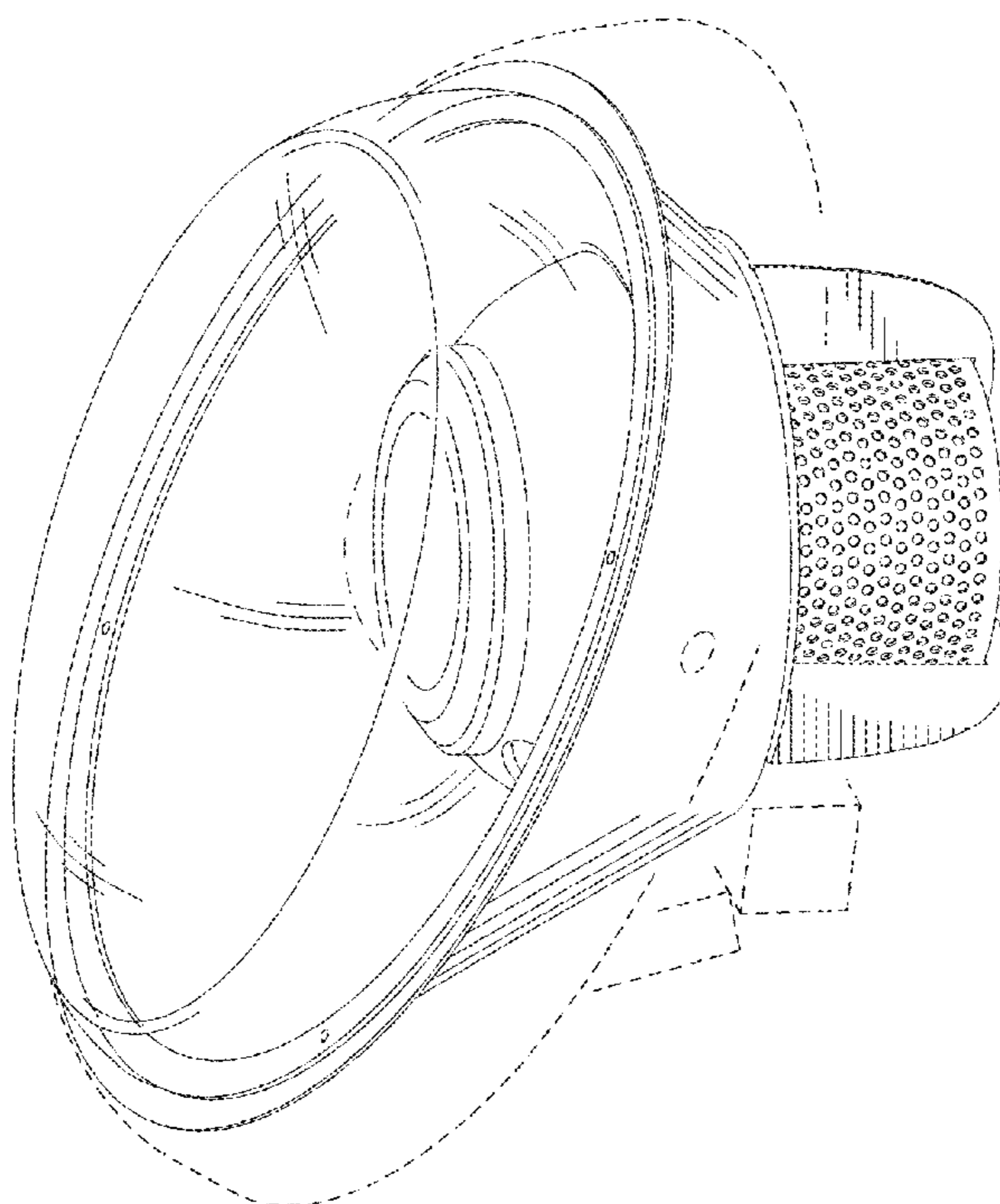
The broken lines shown in the drawings depict portions of
the headlight that form no part of the claimed design.

(56) **References Cited**

U.S. PATENT DOCUMENTS

D490,172 S * 5/2004 Yamamoto D26/28
D564,683 S * 3/2008 Roach D26/28
D626,670 S * 11/2010 Metzger D26/28

1 Claim, 8 Drawing Sheets



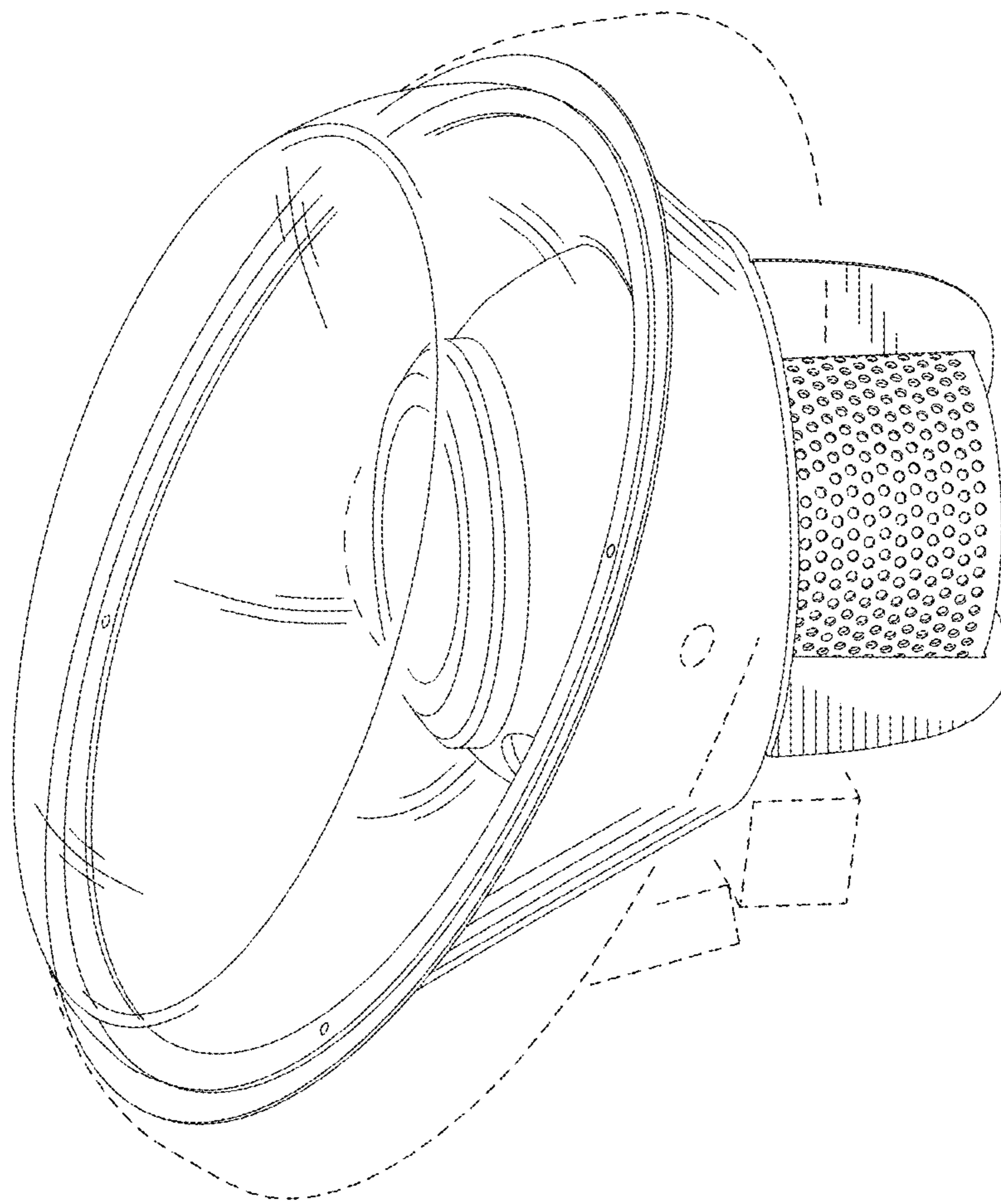


FIG. 1

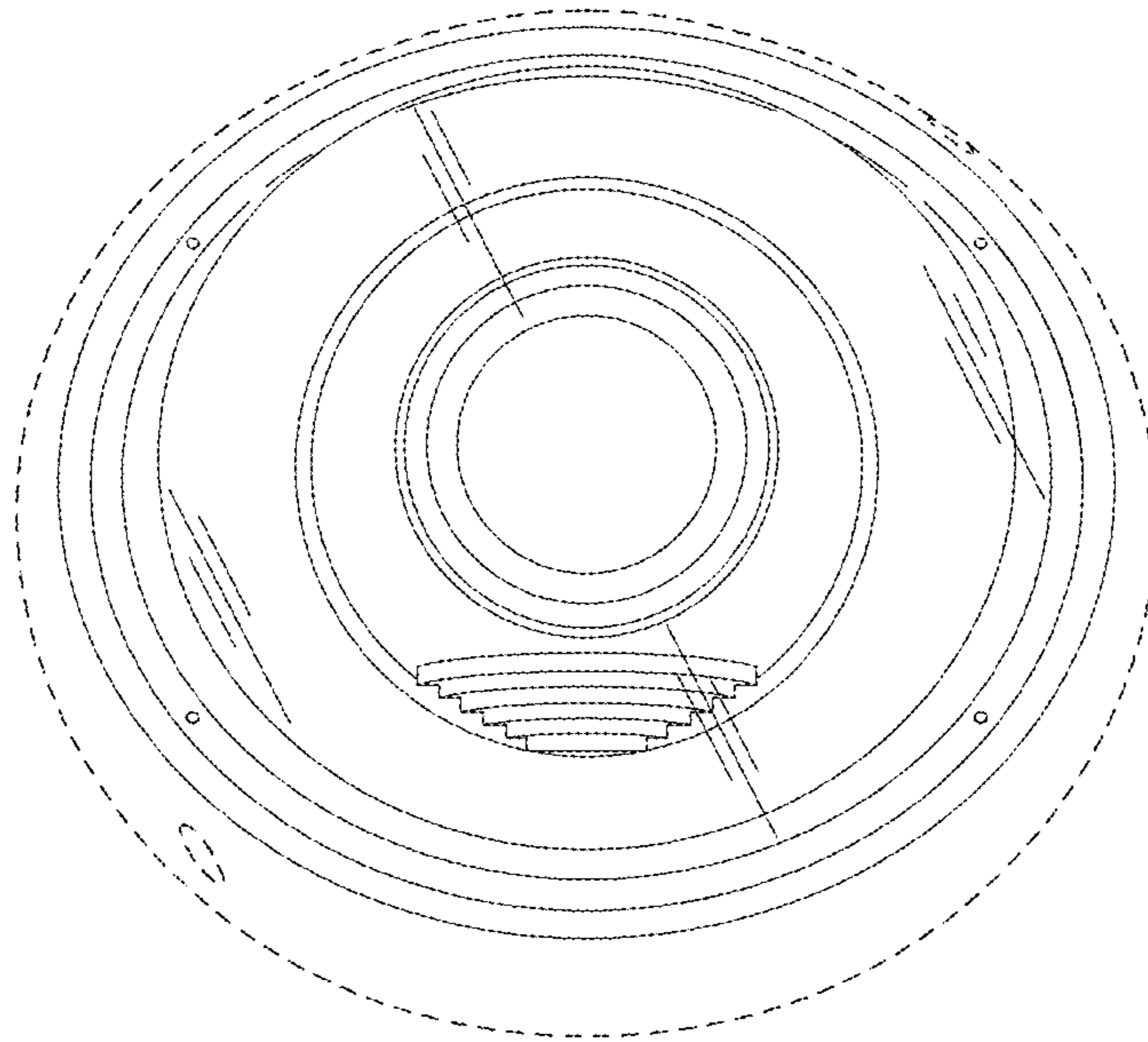


FIG. 2

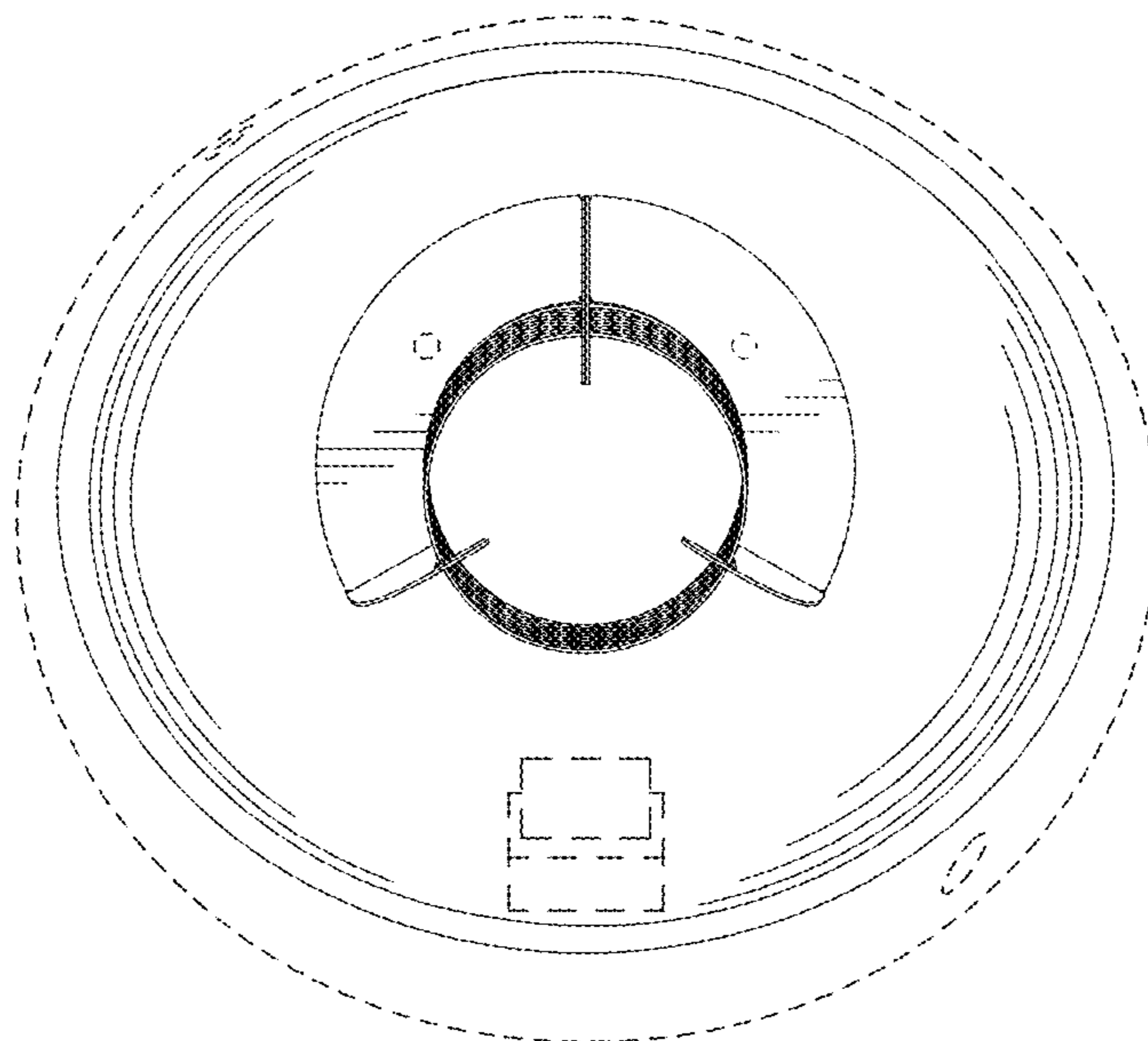


FIG. 3

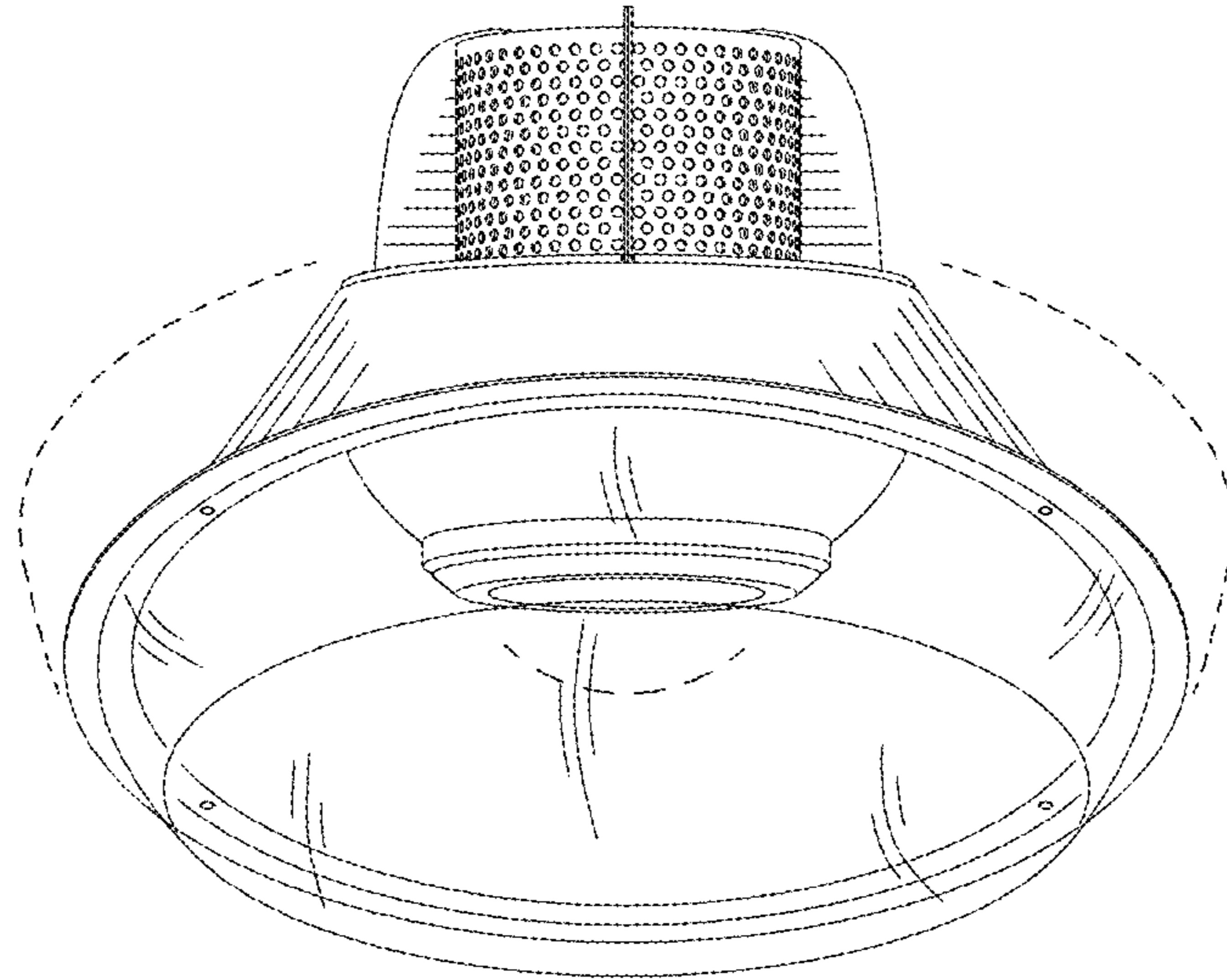


FIG. 4

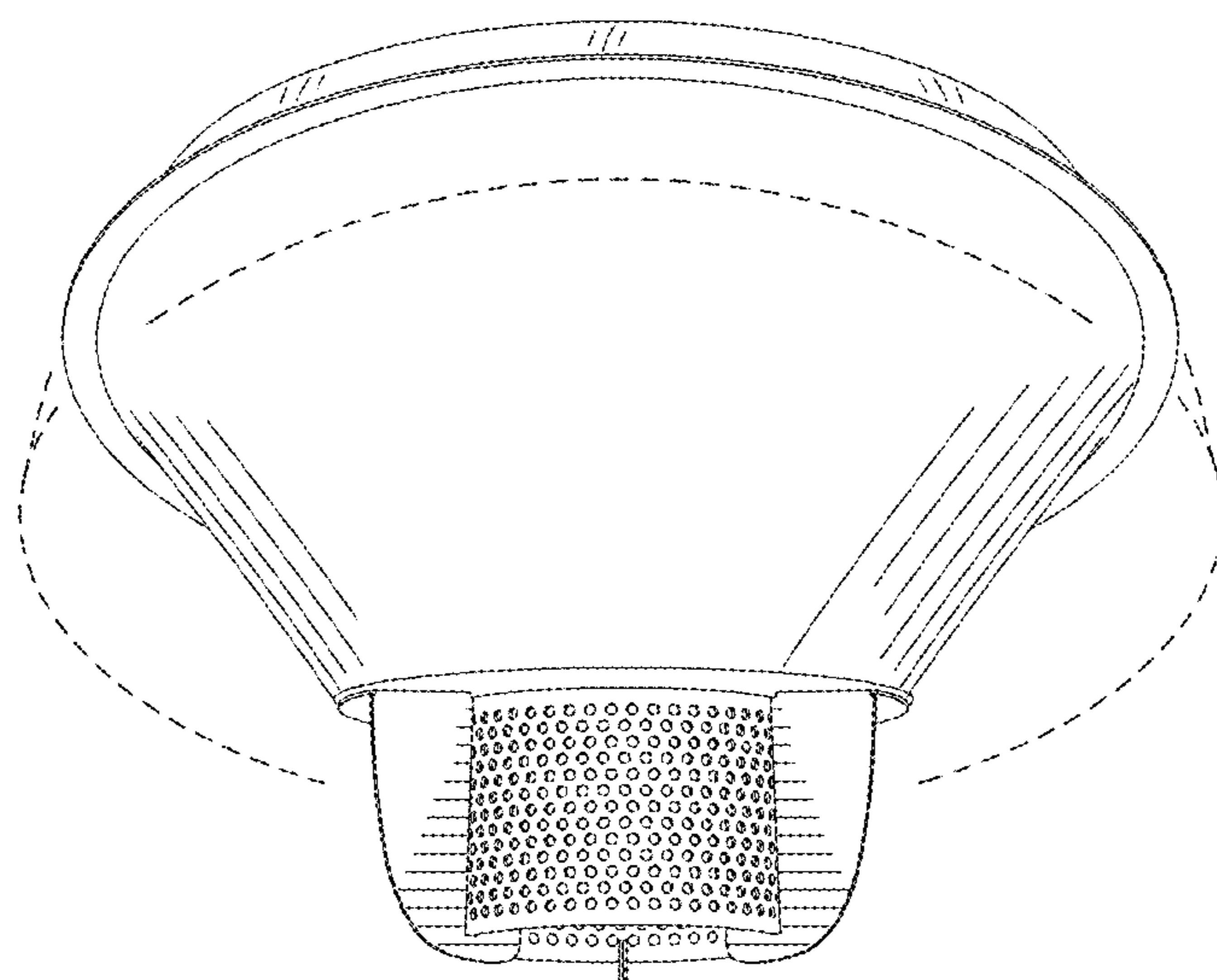


FIG. 5

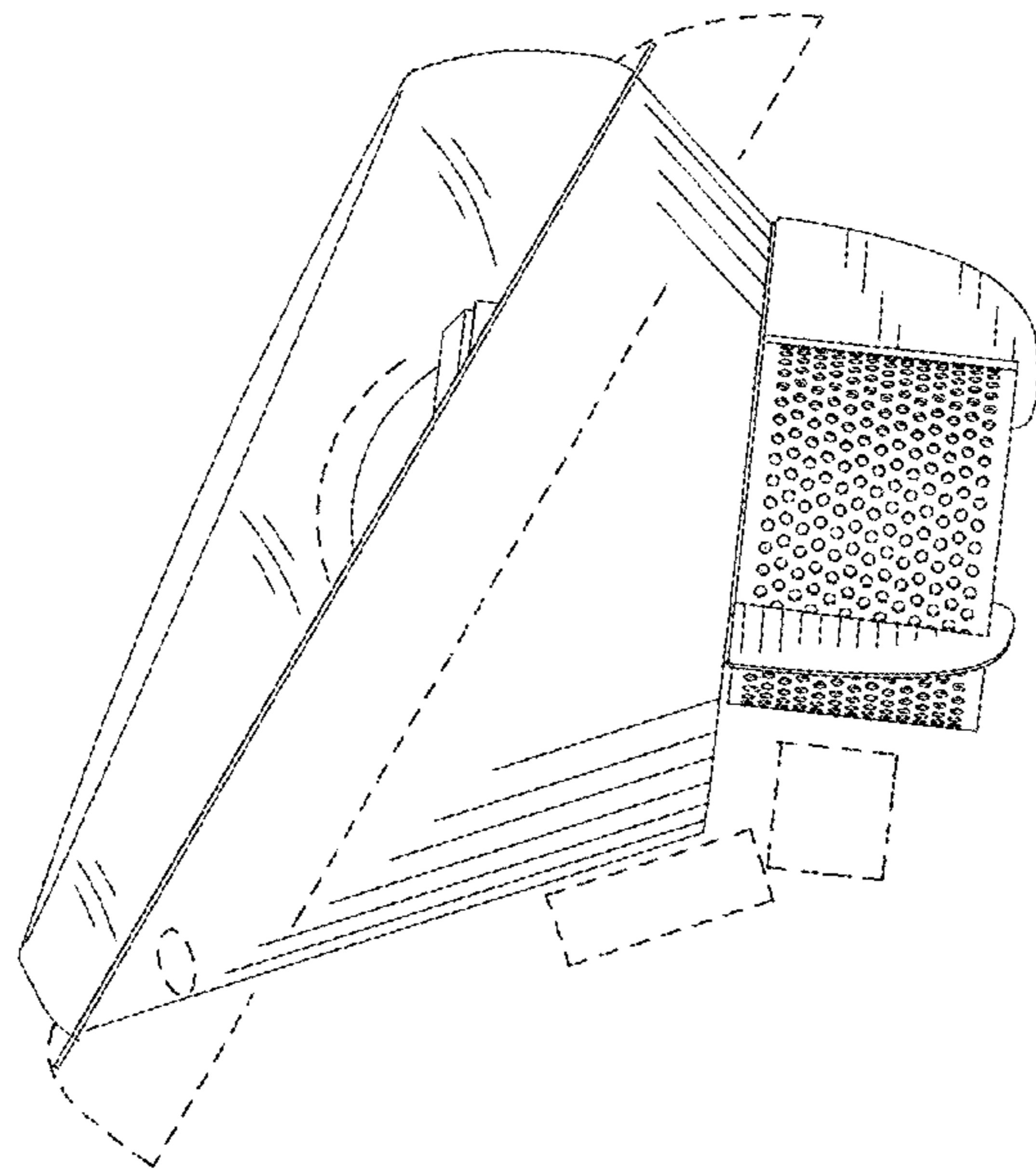


FIG. 6

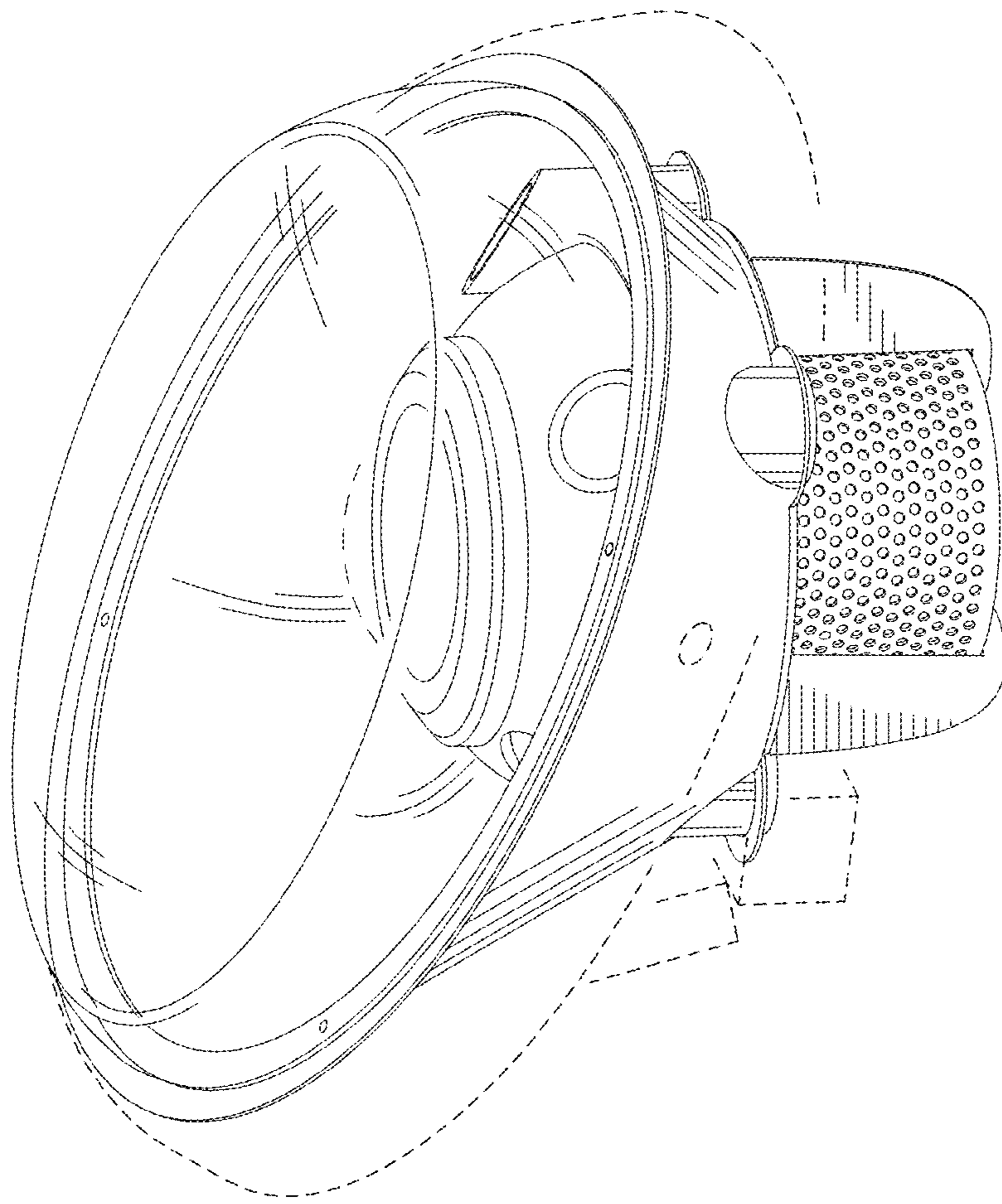


FIG. 7

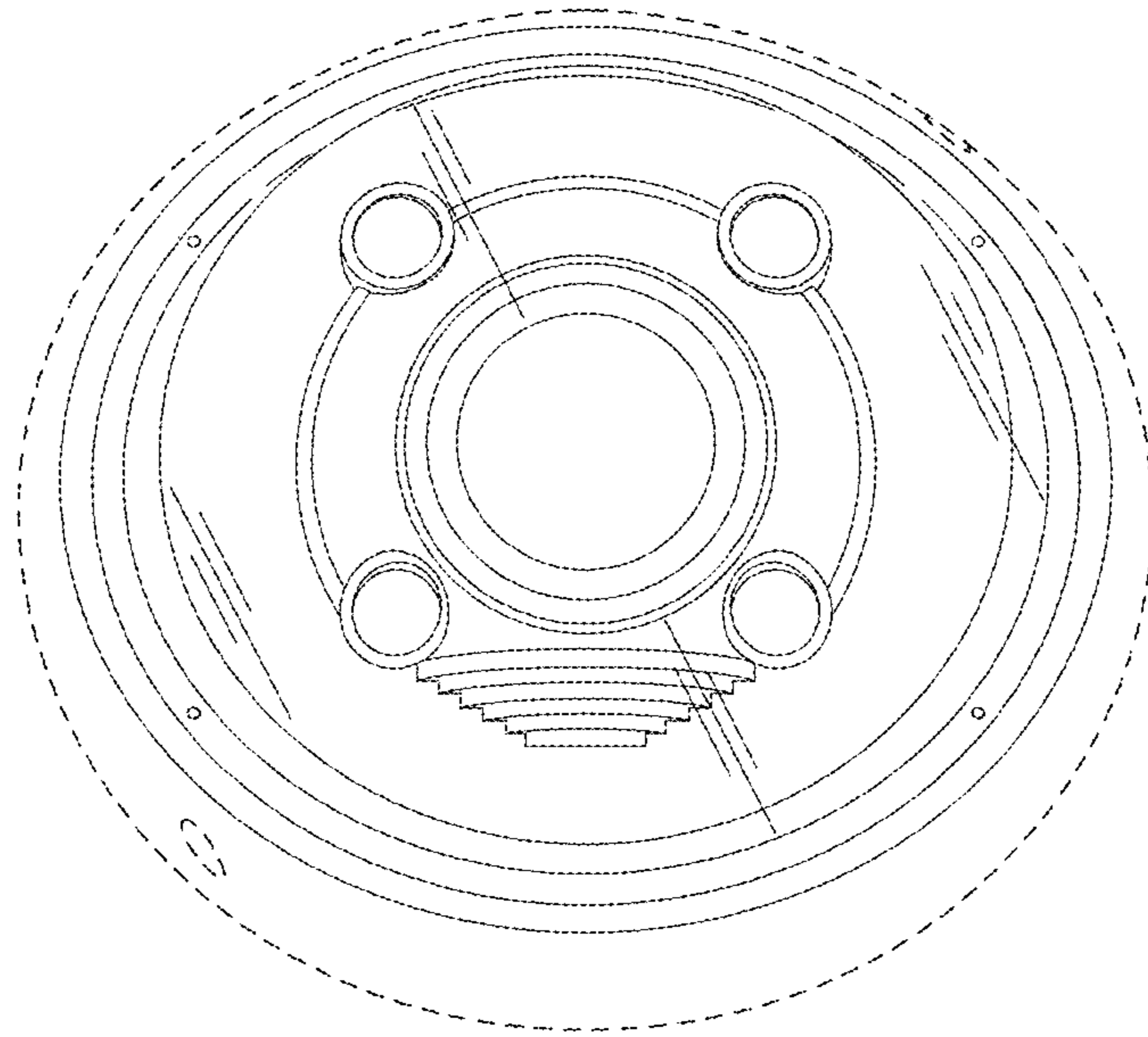


FIG. 8

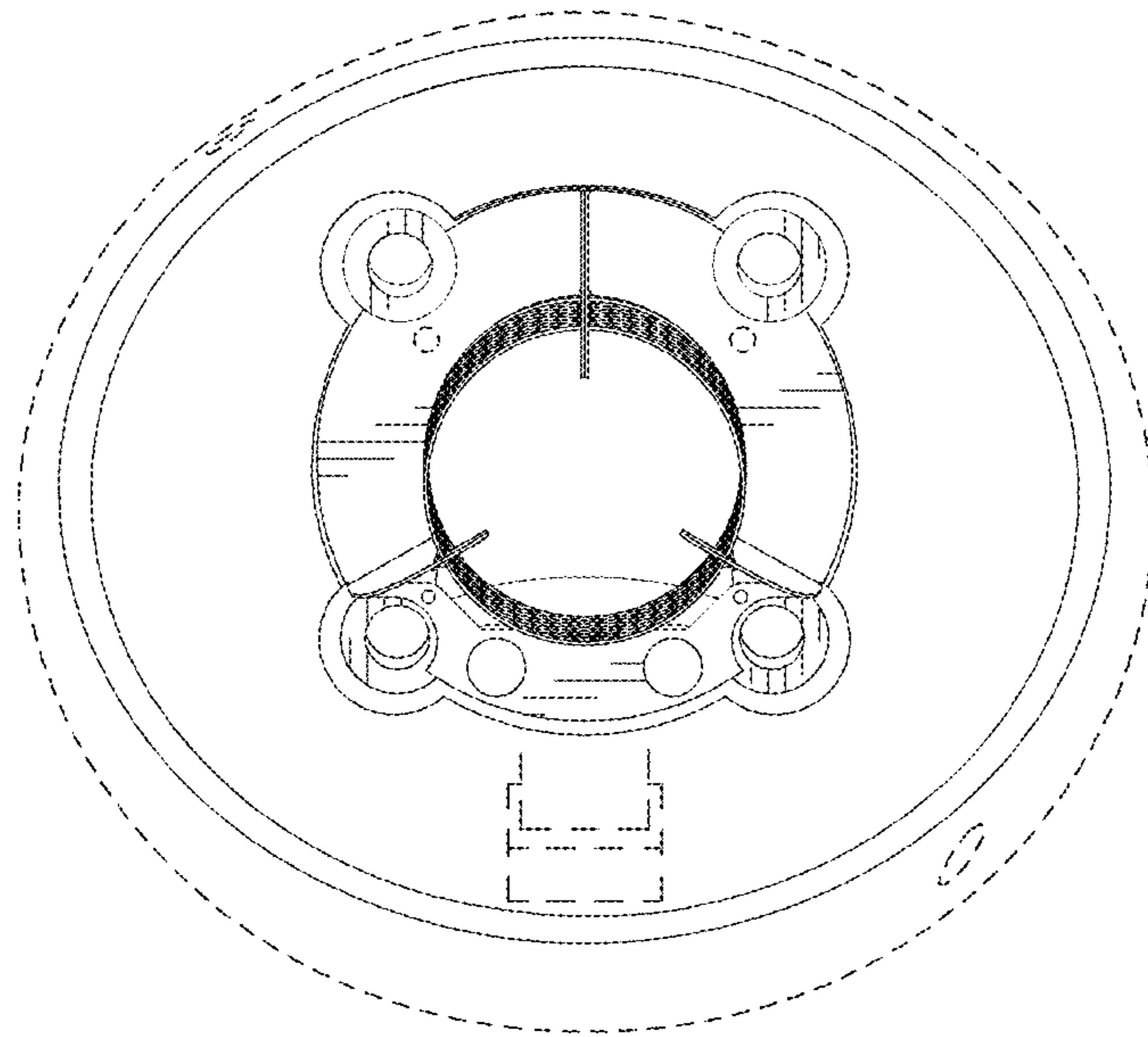


FIG. 9

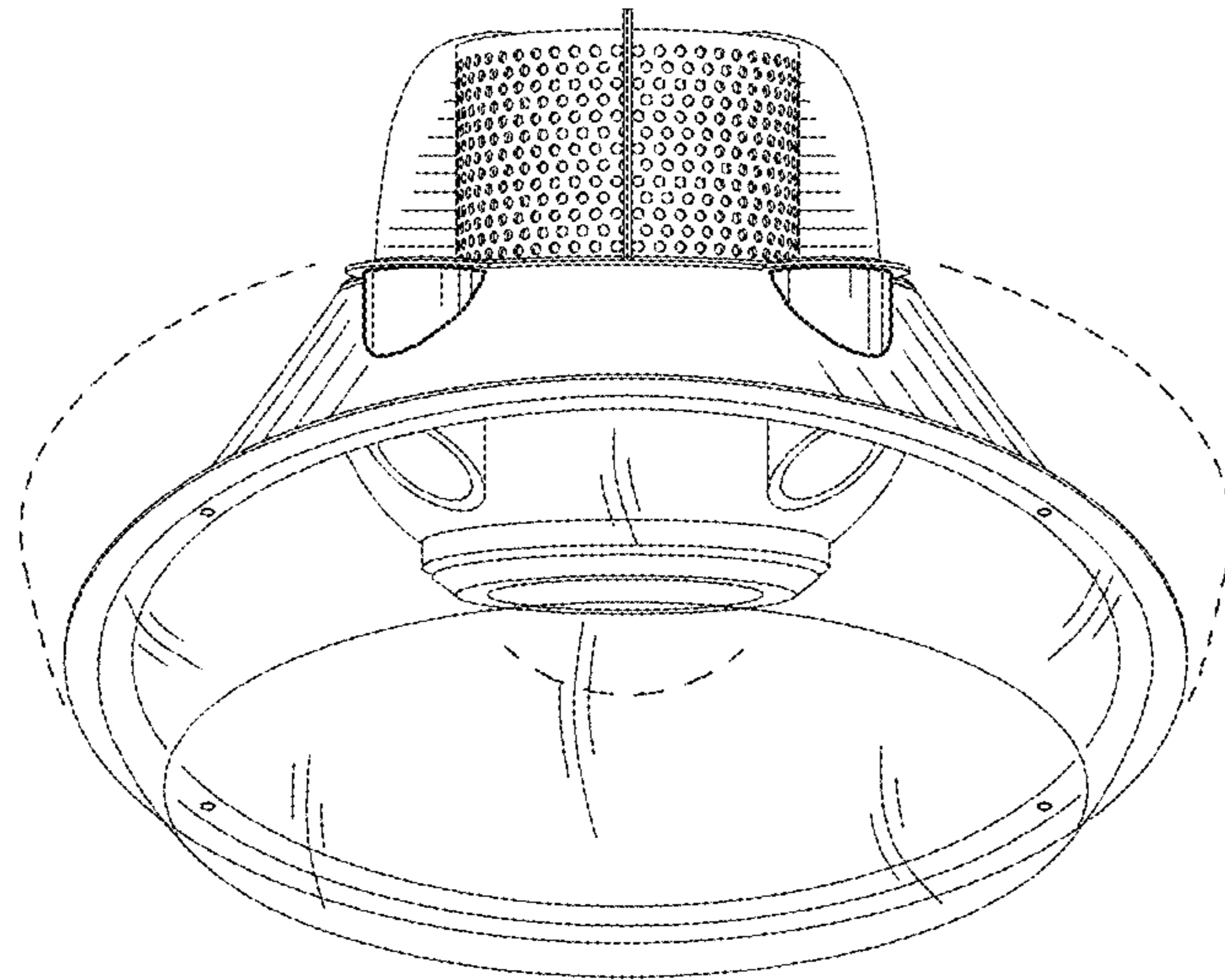


FIG. 10

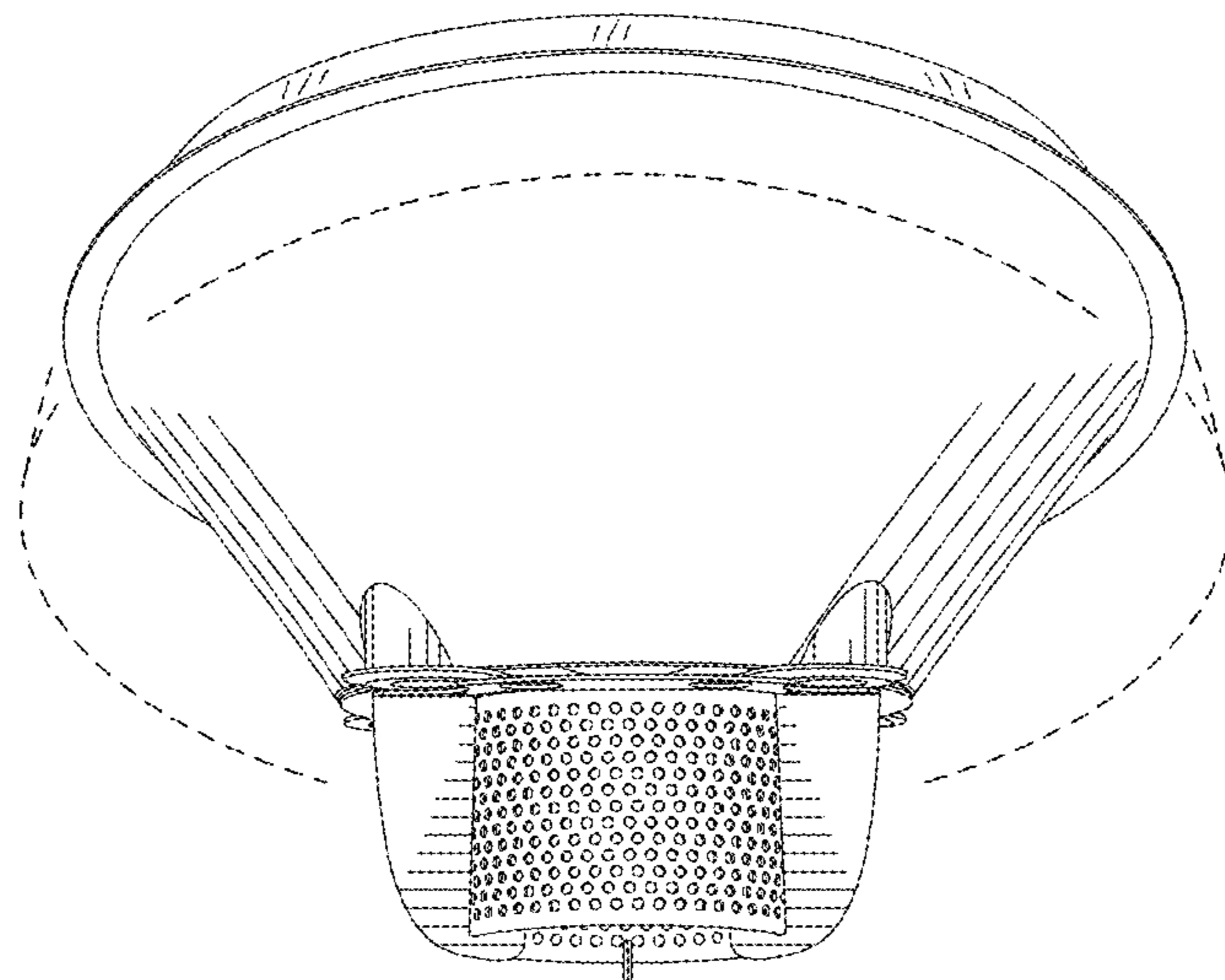


FIG. 11

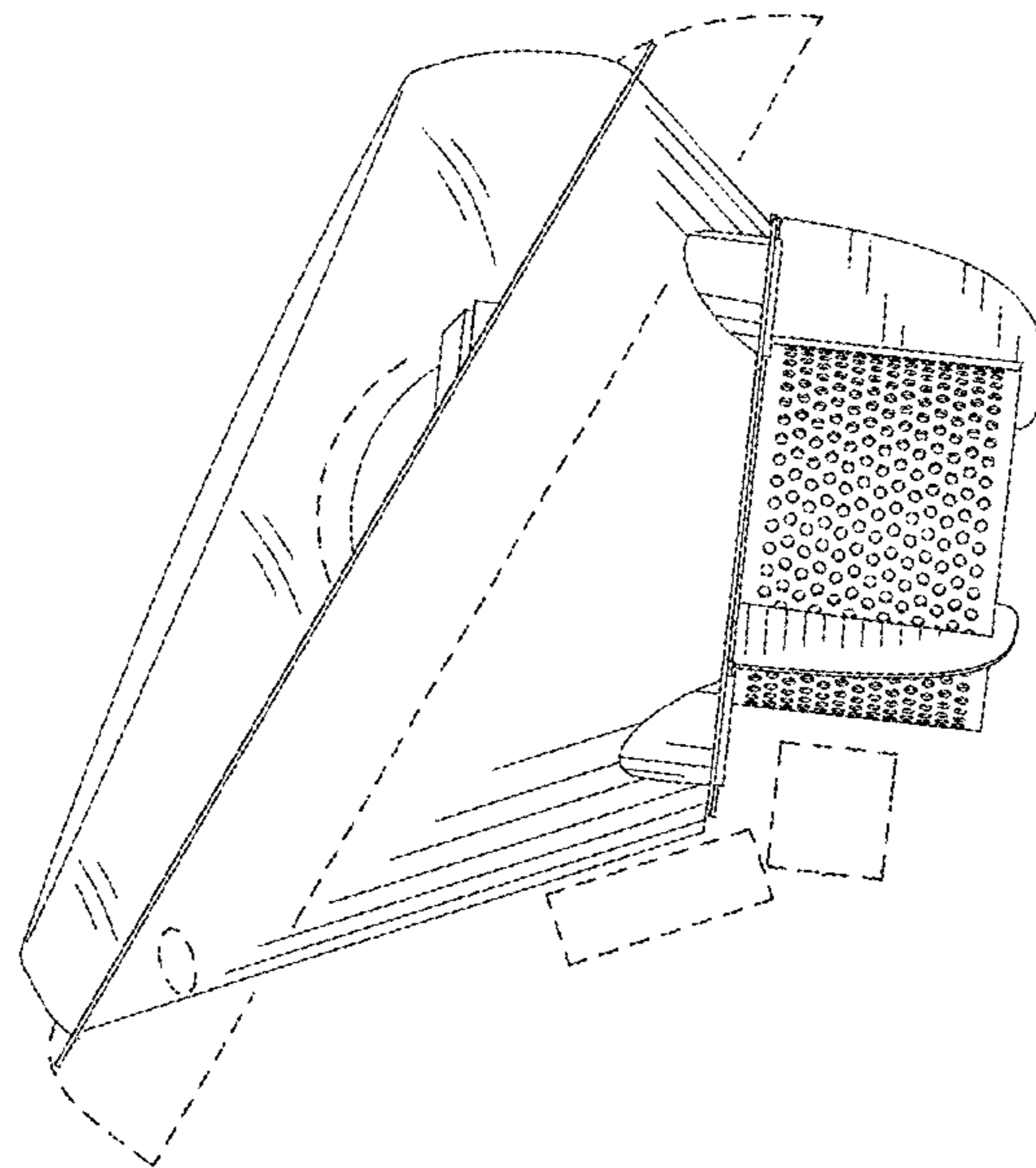


FIG. 12