



US00D814670S

(12) **United States Design Patent** (10) **Patent No.:** **US D814,670 S**
Delano et al. (45) **Date of Patent:** **** Apr. 3, 2018**

(54) **LIGHTING MODULE**

(71) Applicants: **Howard D. Delano**, Kingston, NY (US); **Jonathan I. Jones**, Highland, NY (US)

(72) Inventors: **Howard D. Delano**, Kingston, NY (US); **Jonathan I. Jones**, Highland, NY (US)

(73) Assignee: **USAI, LLC**, New Windsor, NY (US)

(**) Term: **15 Years**

(21) Appl. No.: **29/577,934**

(22) Filed: **Sep. 16, 2016**

(51) **LOC (11) Cl.** **26-07**

(52) **U.S. Cl.**
USPC **D26/28**

(58) **Field of Classification Search**
USPC D26/74, 72, 75, 76, 77, 78, 85, 88, 89, D26/118, 138, 141; 362/364, 365, 373,
(Continued)

(56) **References Cited**

U.S. PATENT DOCUMENTS

D411,031 S * 6/1999 Conn D26/118
D581,084 S * 11/2008 Kawaguchi D26/74
(Continued)

Primary Examiner — Angela J Lee

(74) *Attorney, Agent, or Firm* — St. Onge Steward
Johnston & Reens LLC

(57) **CLAIM**

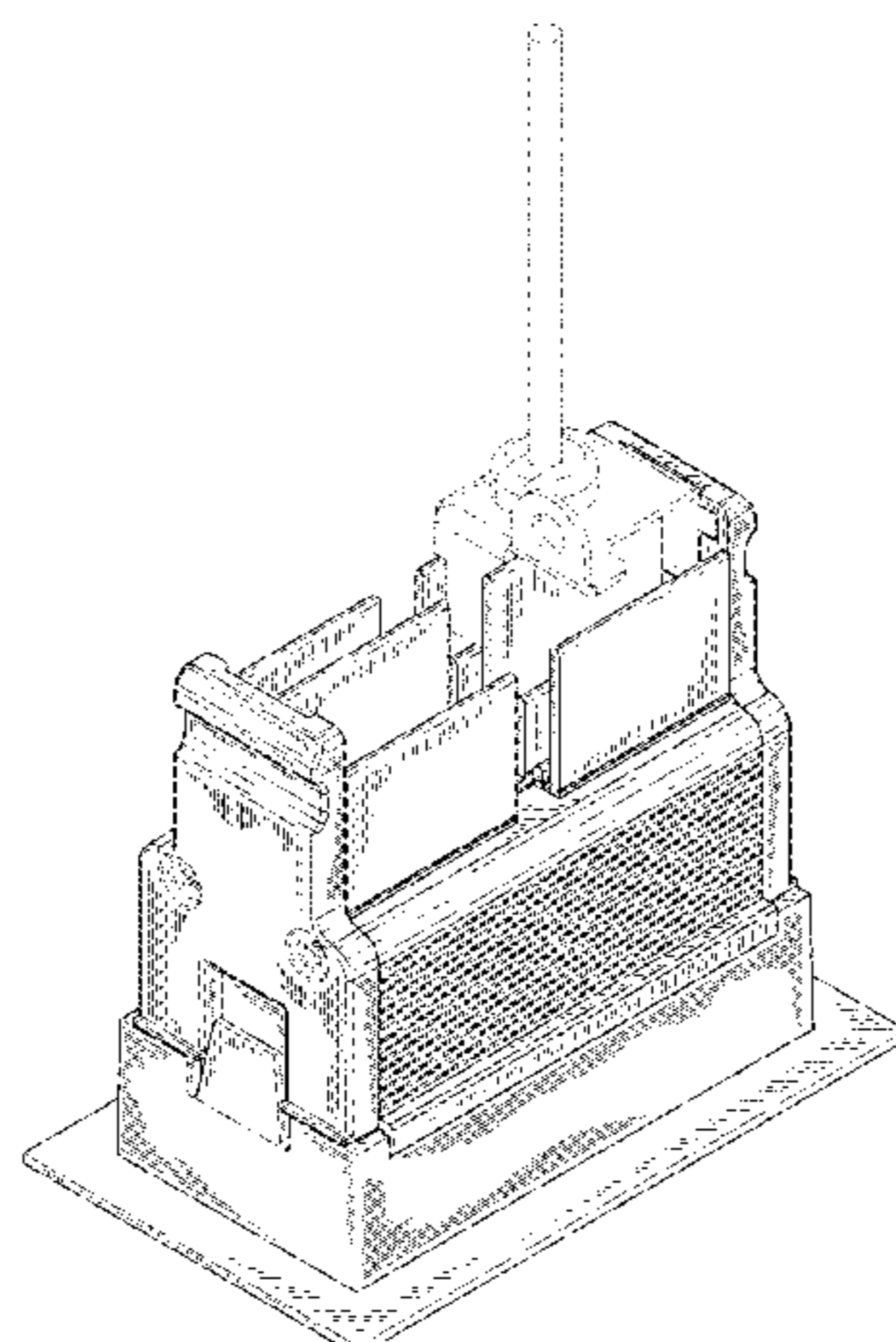
The ornamental design for a lighting module, as shown and described.

DESCRIPTION

FIG. 1 is a perspective from the top view of a first embodiment of a lighting module in accordance with the new design;

FIG. 2 is a front view thereof;
FIG. 3 is a top view thereof;
FIG. 4 is a back view thereof;
FIG. 5 is a bottom view thereof;
FIG. 6 is a right side view thereof; and
FIG. 7 is a left side view thereof.
FIG. 8 is a perspective from the top view of a second embodiment of a lighting module in accordance with the new design;
FIG. 9 is a front view thereof;
FIG. 10 is a top view thereof;
FIG. 11 is a back view thereof;
FIG. 12 is a bottom view thereof;
FIG. 13 is a right side view thereof; and
FIG. 14 is a left side view thereof.
FIG. 15 is a perspective from the top view of a third embodiment of a lighting module in accordance with the new design;
FIG. 16 is a front view thereof;
FIG. 17 is a top view thereof;
FIG. 18 is a back view thereof;
FIG. 19 is a bottom view thereof;
FIG. 20 is a right side view thereof; and
FIG. 21 is a left side view thereof.
FIG. 22 is a perspective from the top view of a fourth embodiment of a lighting module in accordance with the new design;
FIG. 23 is a front view thereof;
FIG. 24 is a top view thereof;
FIG. 25 is a back view thereof;
FIG. 26 is a bottom view thereof;
FIG. 27 is a right side view thereof; and
FIG. 28 is a left side view thereof.
FIG. 29 is a perspective from the top view of a fifth embodiment of a lighting module in accordance with the new design;
FIG. 30 is a front view thereof;
FIG. 31 is a top view thereof;
FIG. 32 is a back view thereof;
FIG. 33 is a bottom view thereof;
FIG. 34 is a right side view thereof; and
FIG. 35 is a left side view thereof.

(Continued)



The broken lines shown in FIGS. 1-4, 6-11, 13-17, 19-24, 26-31, and 33-35 are for the purpose of illustrating portions of the lighting module that form no part of the claimed design.

1 Claim, 23 Drawing Sheets

(58) **Field of Classification Search**

USPC 362/145, 146, 147, 148, 150, 153, 153.1,
362/294, 296.01, 296.07, 296.08

See application file for complete search history.

(56)

References Cited

U.S. PATENT DOCUMENTS

D632,821	S	*	2/2011	Culbert	D26/74
D633,636	S	*	3/2011	Gielen	D26/74
D661,008	S	*	5/2012	Yuan	D26/74
D673,712	S	*	1/2013	Patel	D26/74
D677,821	S	*	3/2013	Jeon	D26/74
D698,970	S		2/2014	Guzzini		
D698,971	S		2/2014	Guzzini		
D698,972	S		2/2014	Guzzini		
D699,385	S		2/2014	Guzzini		
D715,476	S	*	10/2014	Tien	D26/74
D768,327	S	*	10/2016	Guzzini	D26/74
D768,903	S	*	10/2016	Guzzini	D26/74
D779,702	S	*	2/2017	Yeh	D26/77
D784,599	S	*	4/2017	Sibitzky	D26/118

* cited by examiner

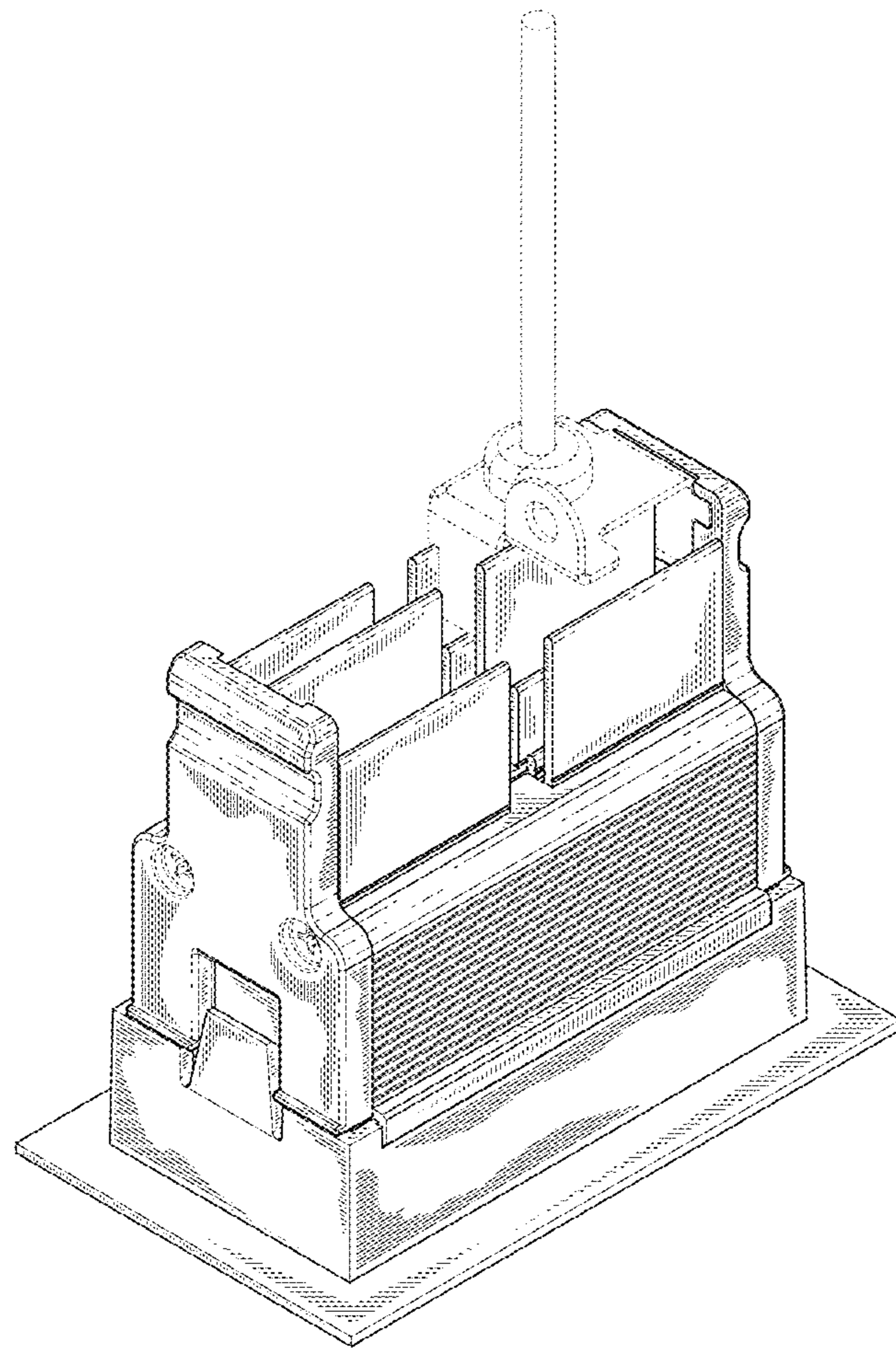


FIG. 1

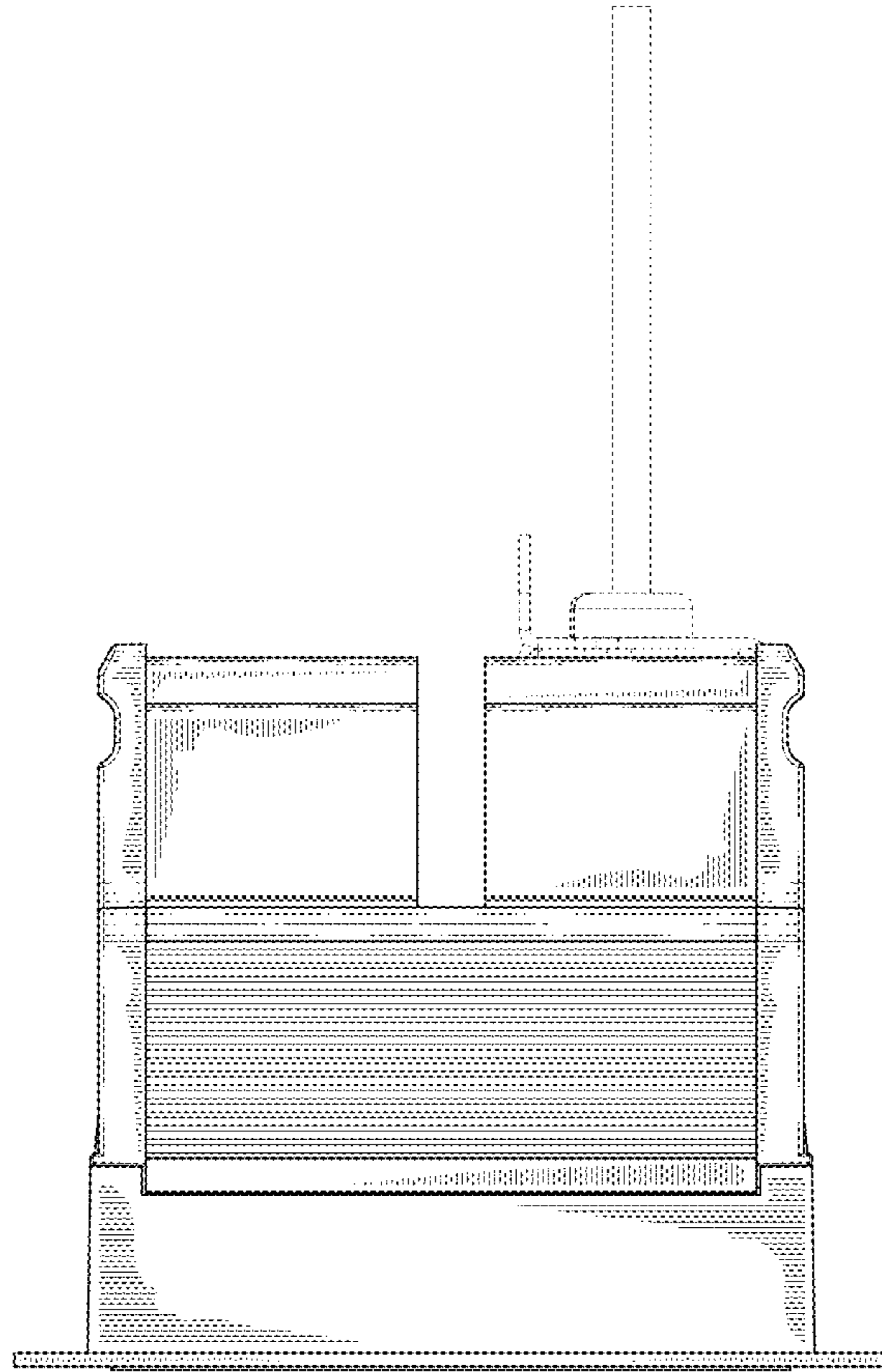


FIG. 2

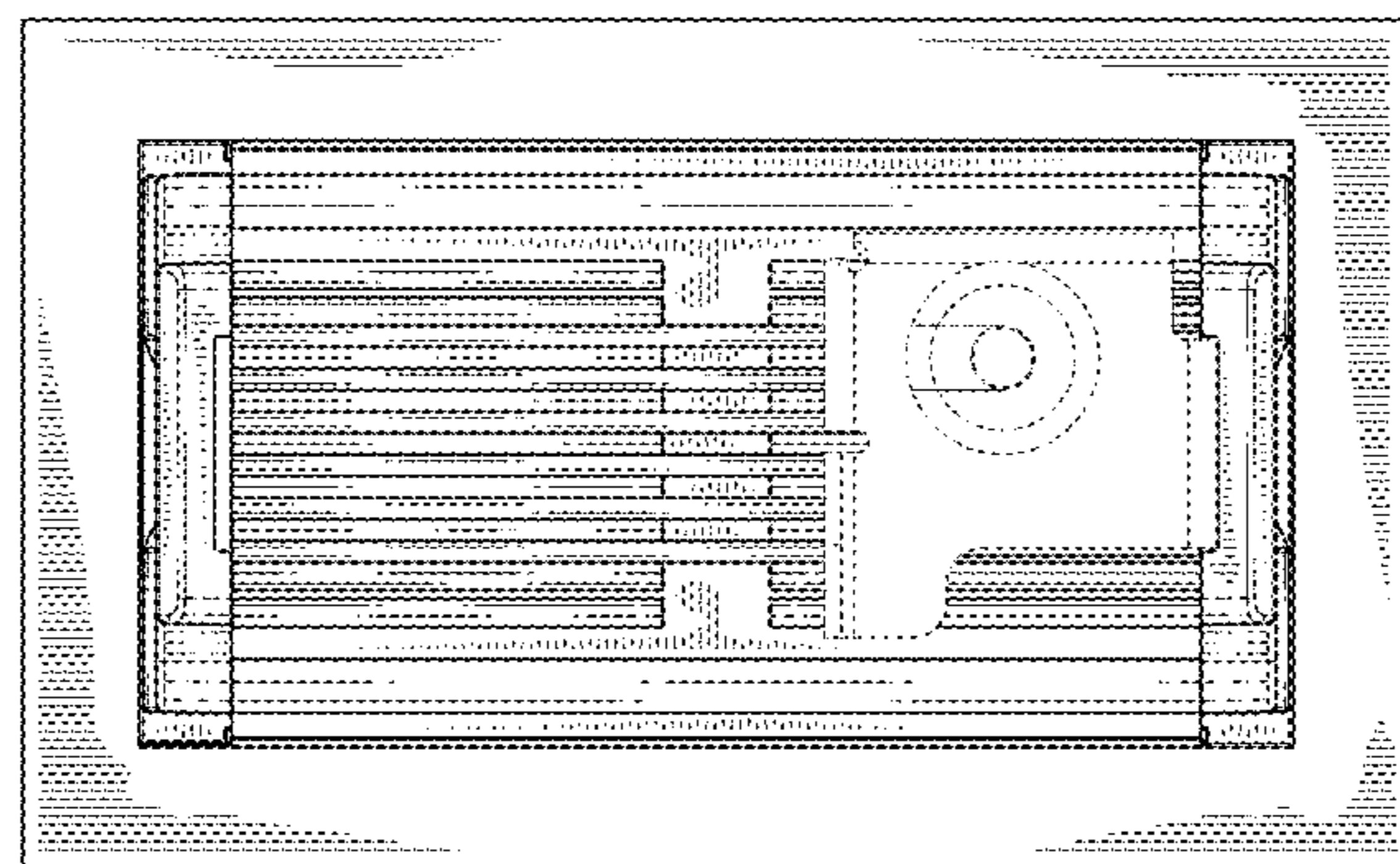


FIG. 3

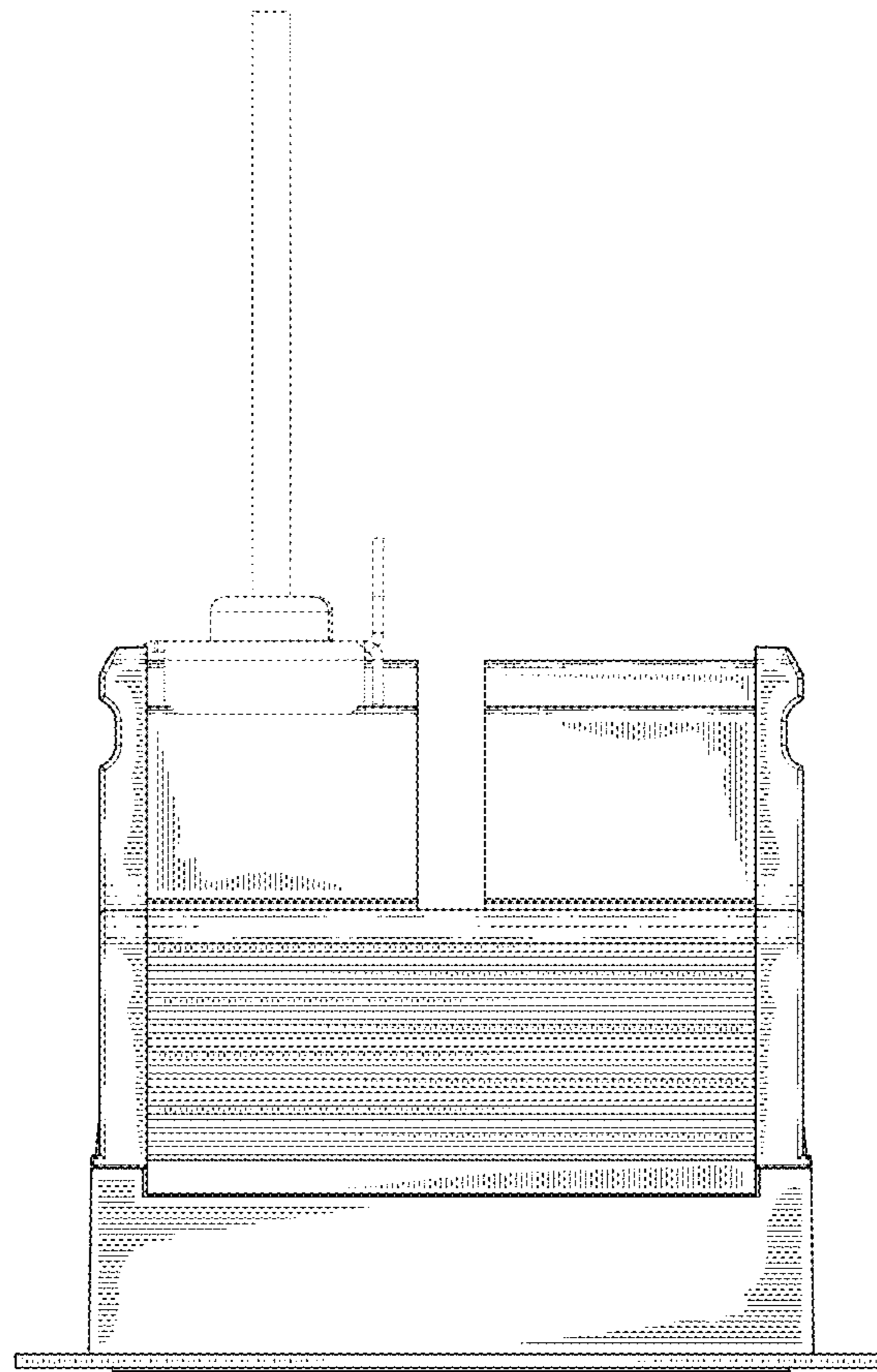


FIG. 4

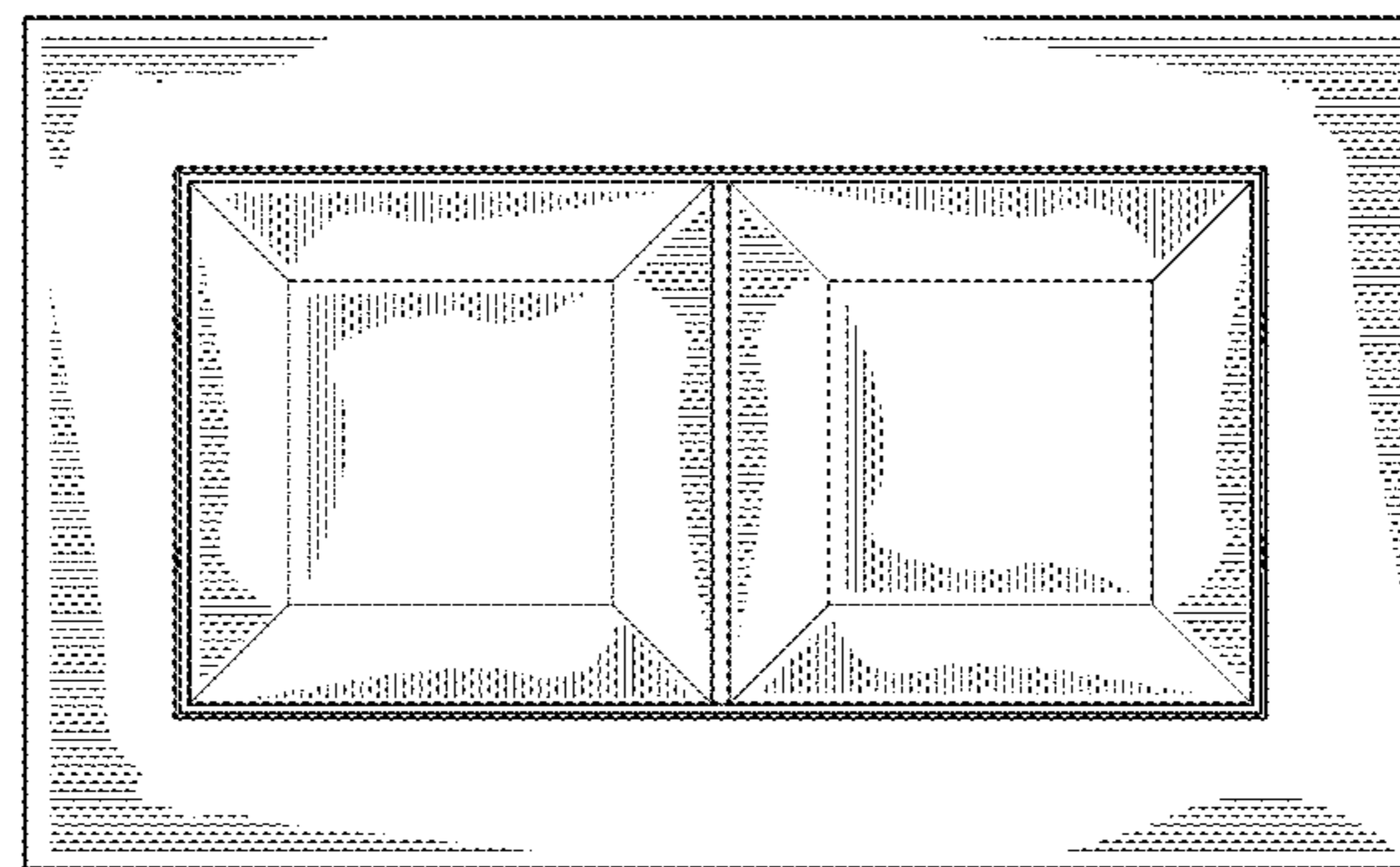


FIG. 5

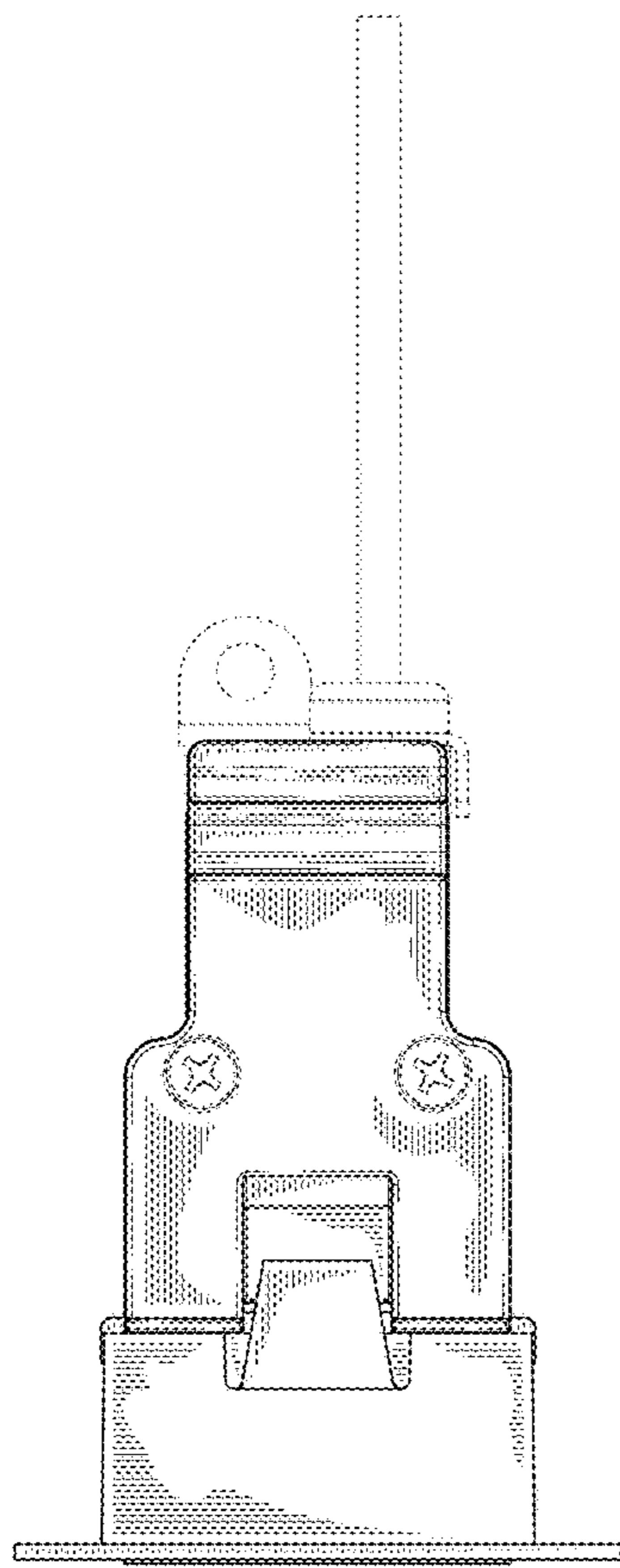


FIG. 6

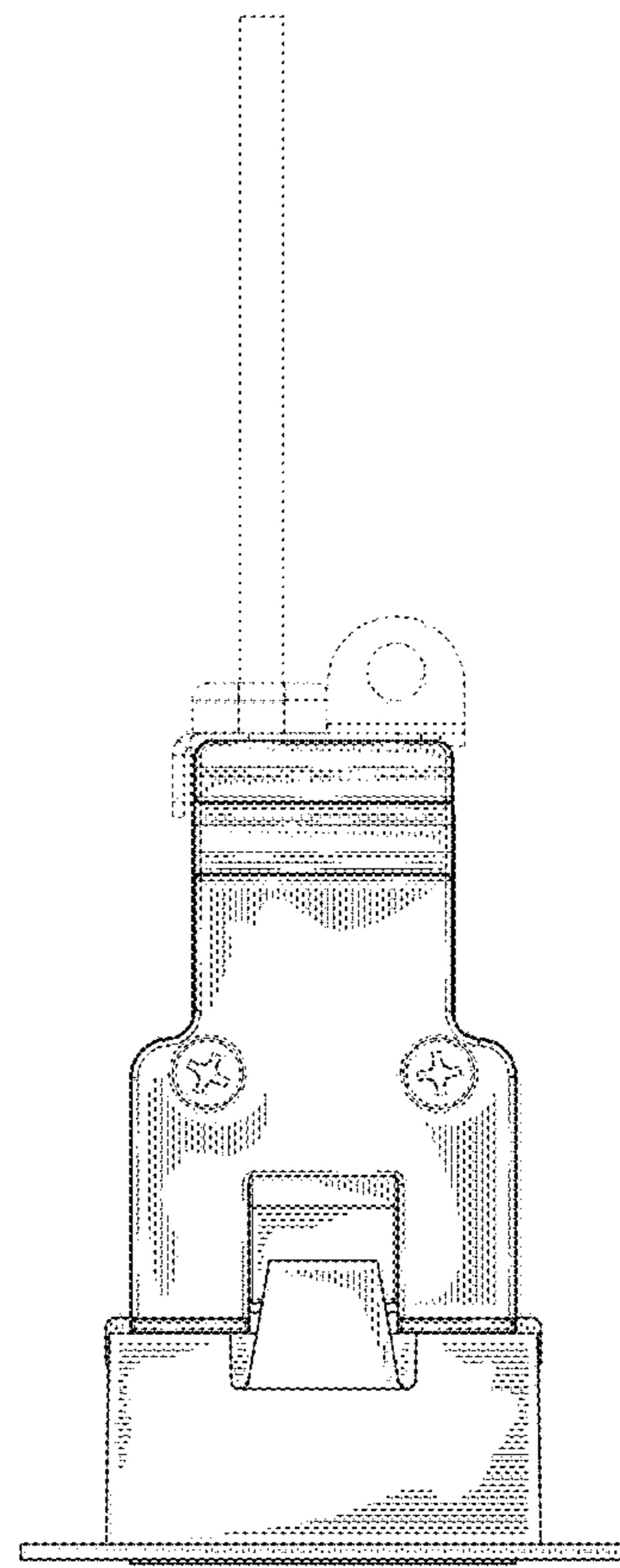


FIG. 7

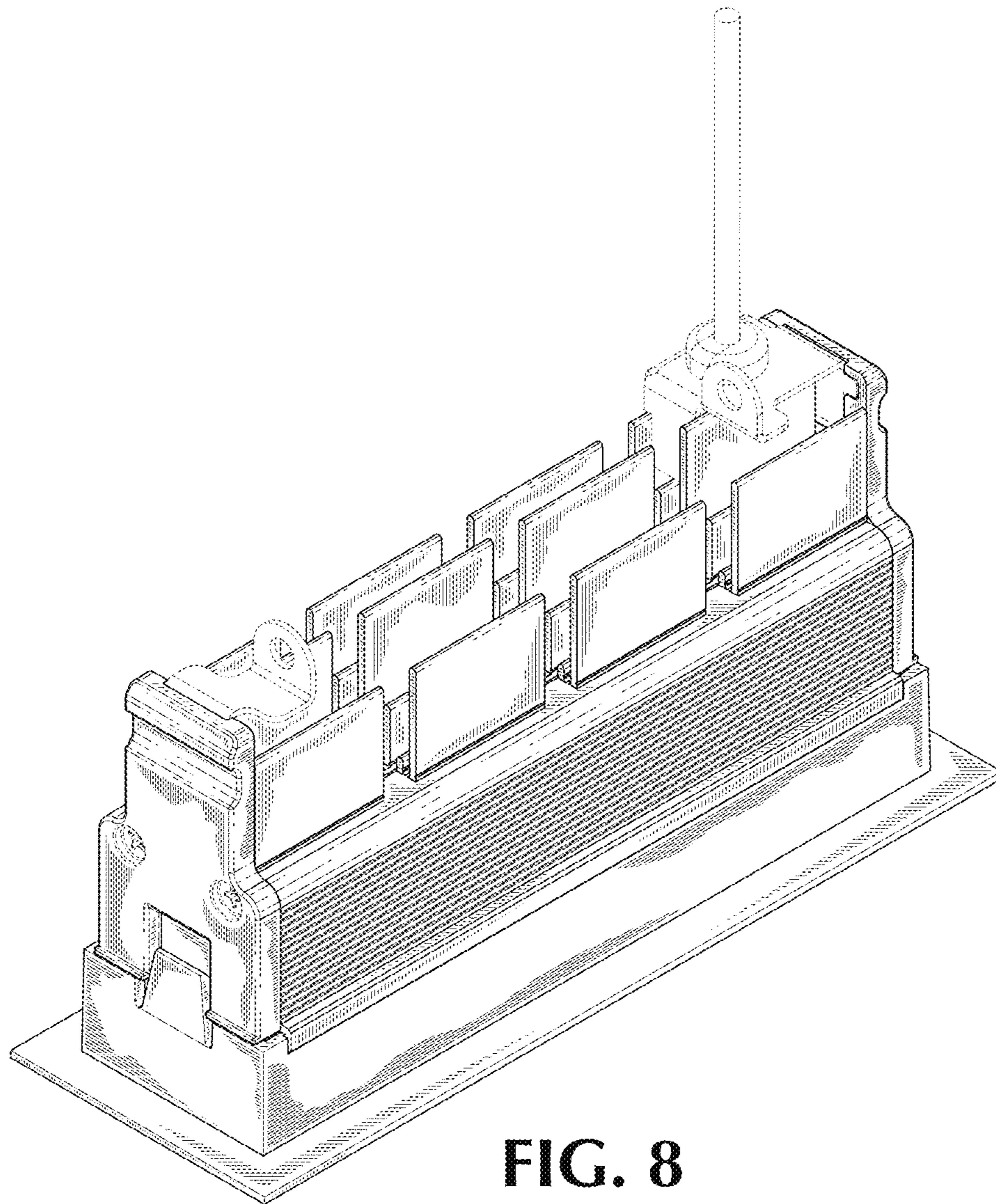


FIG. 8

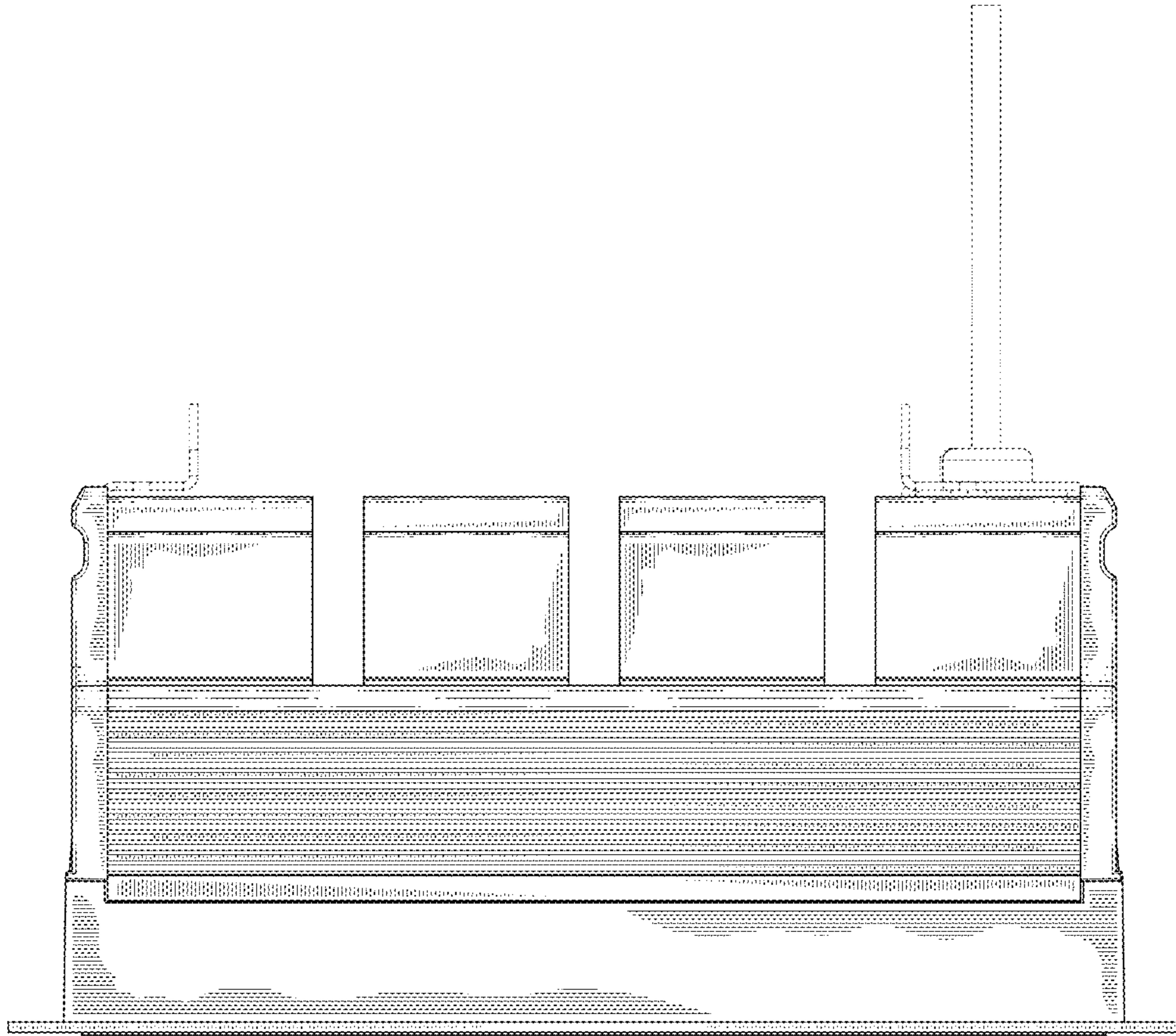


FIG. 9

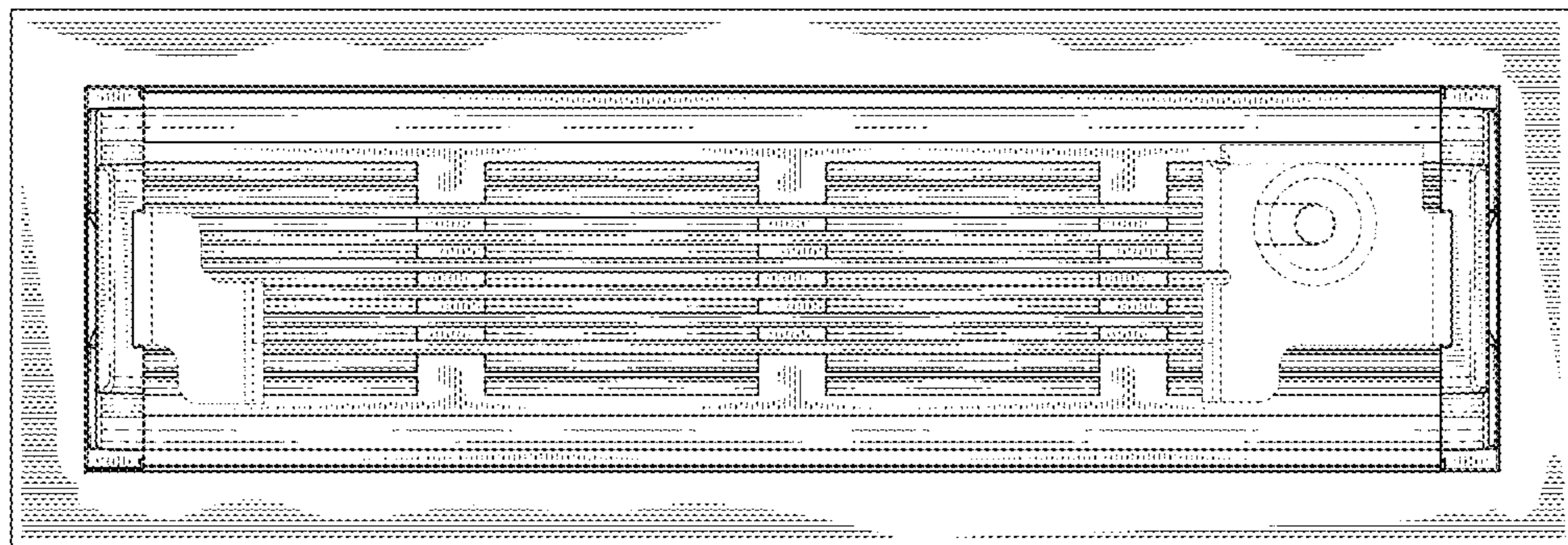


FIG. 10

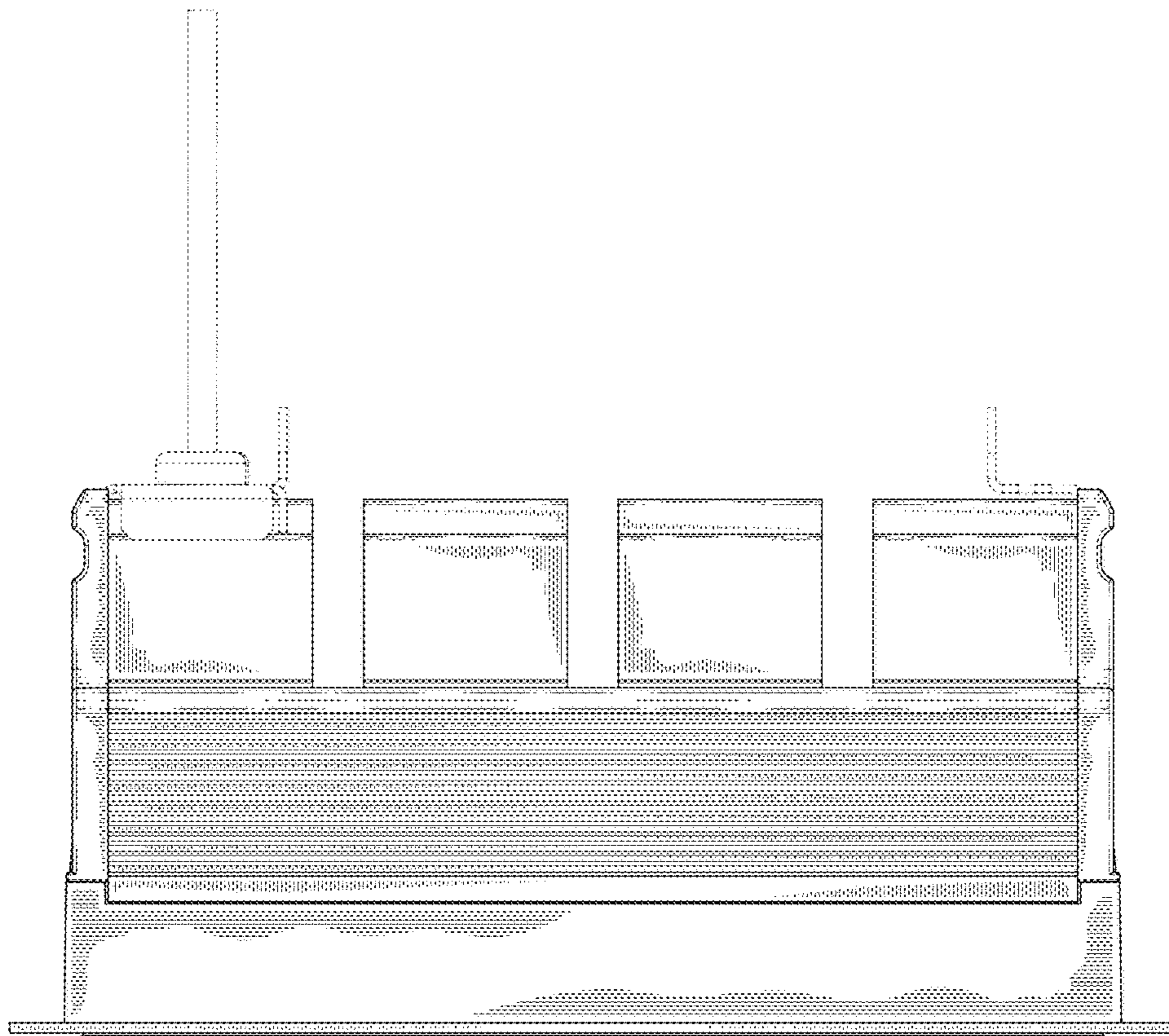


FIG. 11

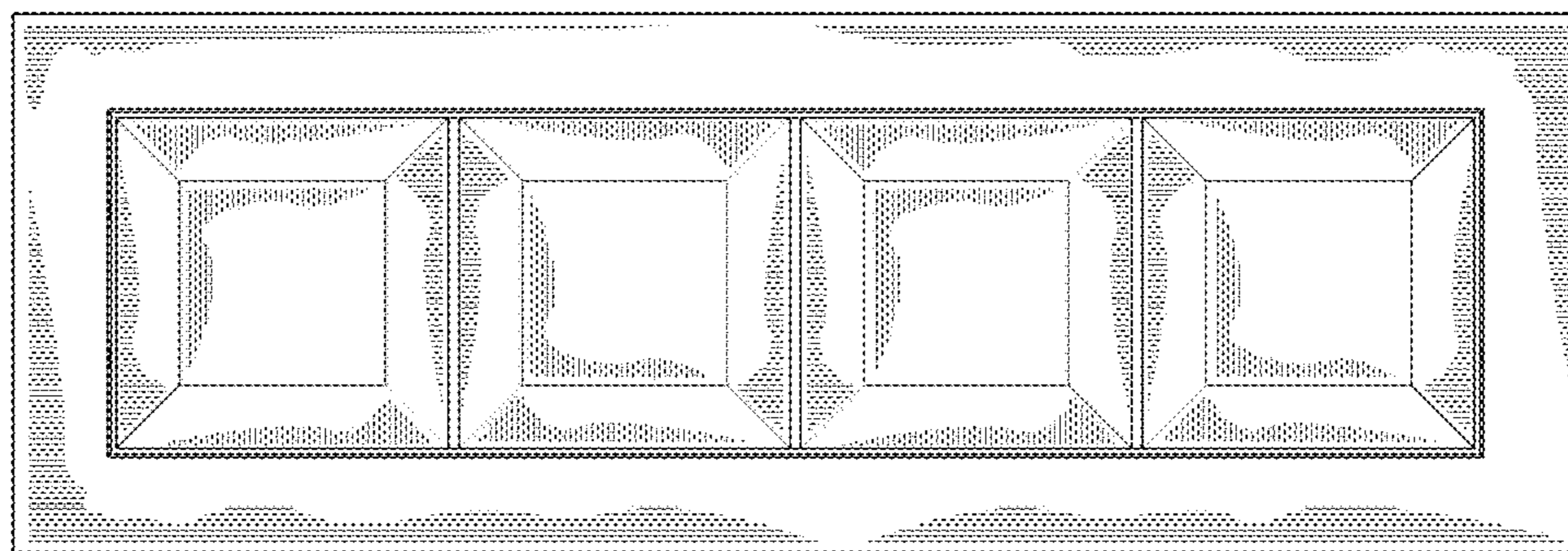


FIG. 12

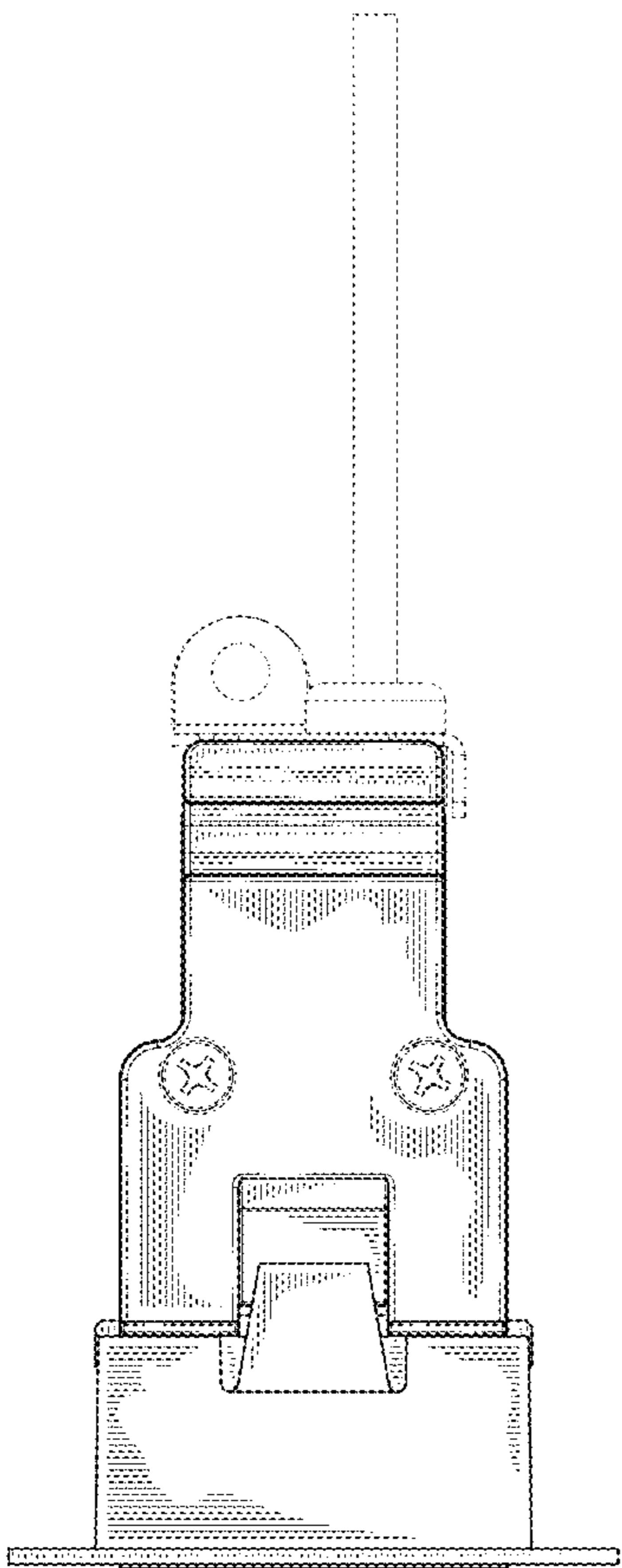


FIG. 13

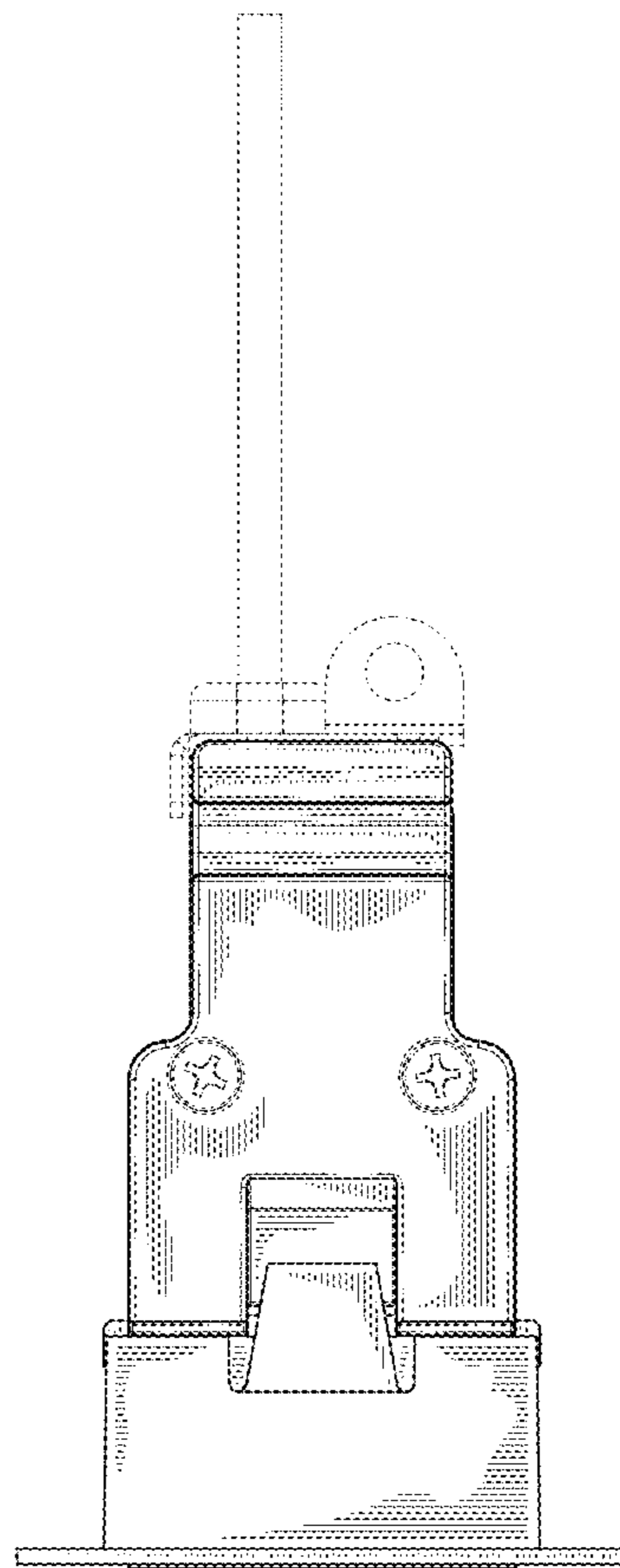


FIG. 14

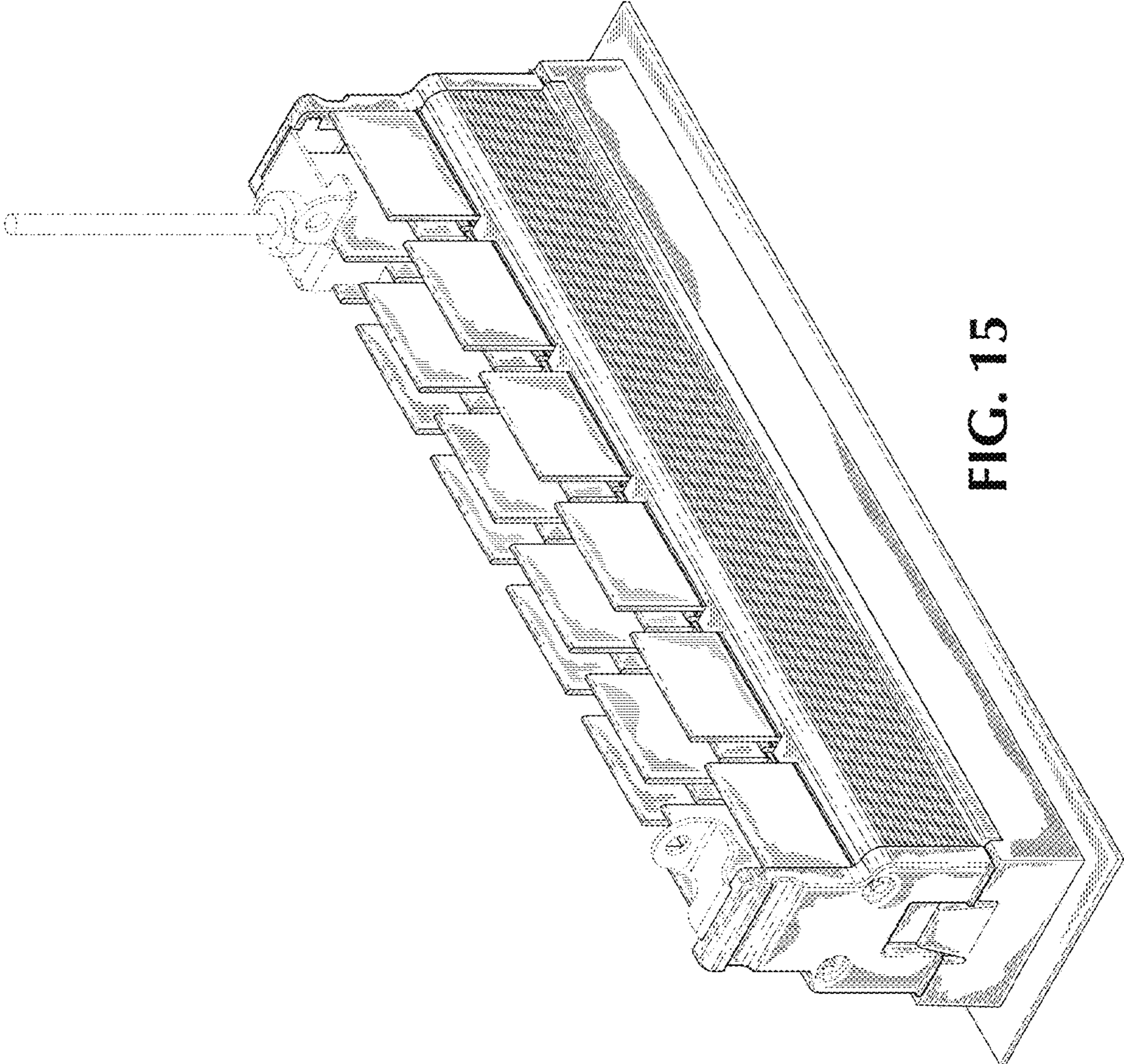


FIG. 15

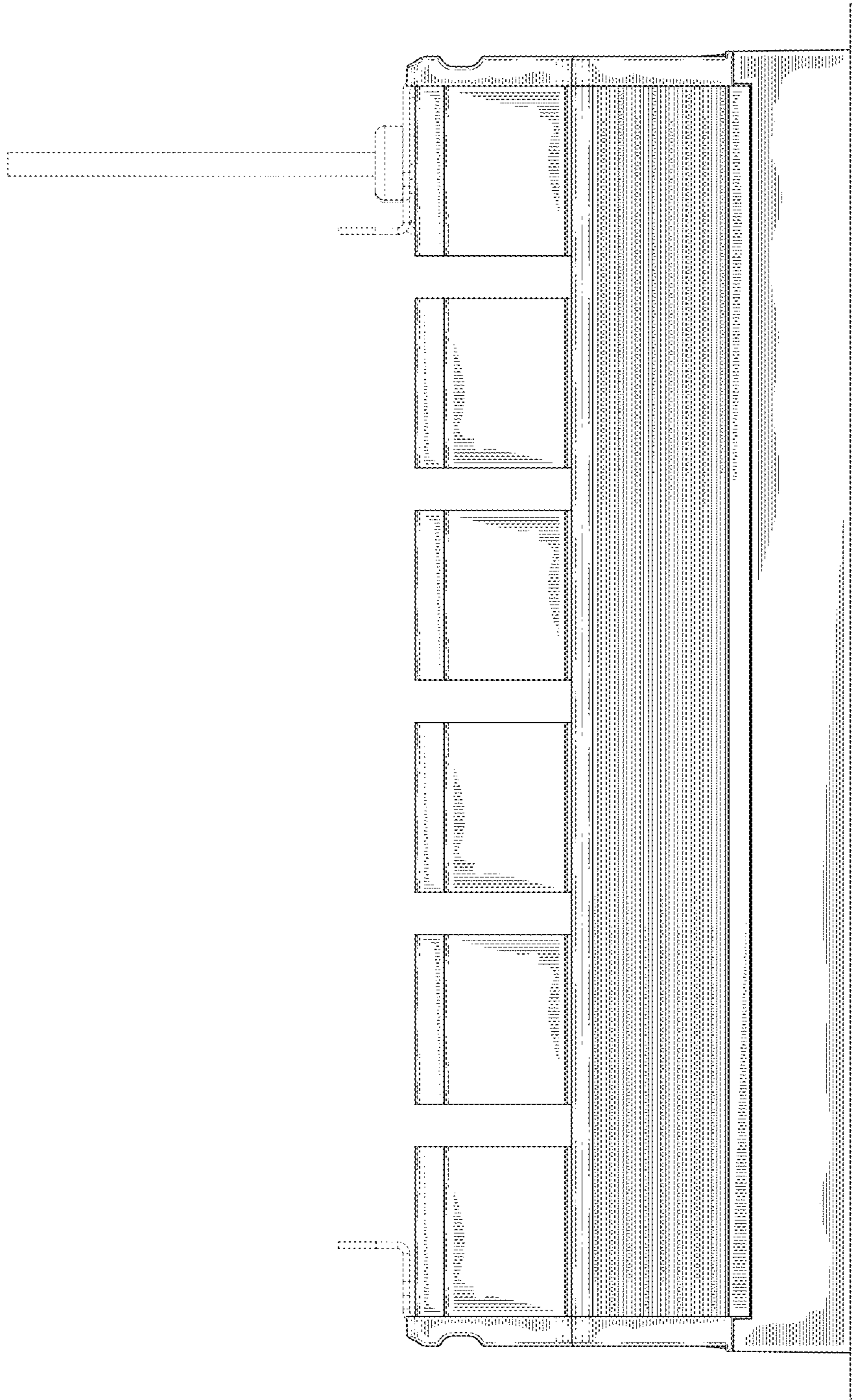


FIG. 16

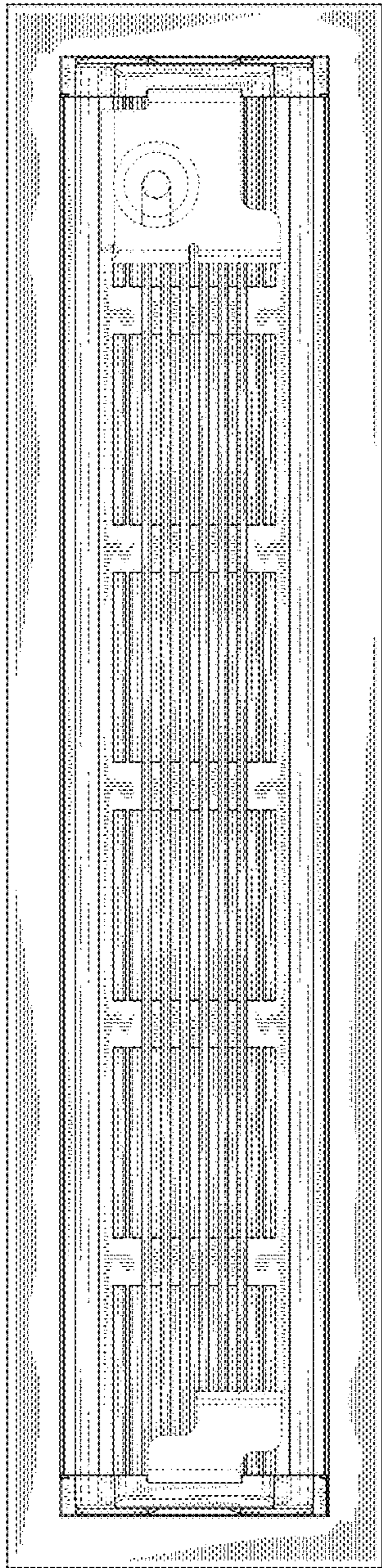


FIG. 17

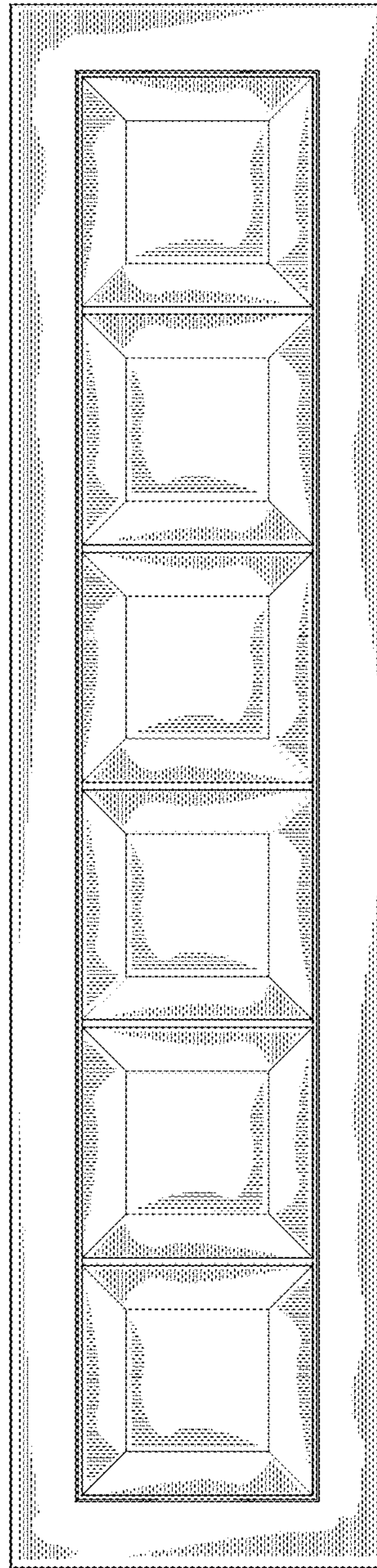


FIG. 19

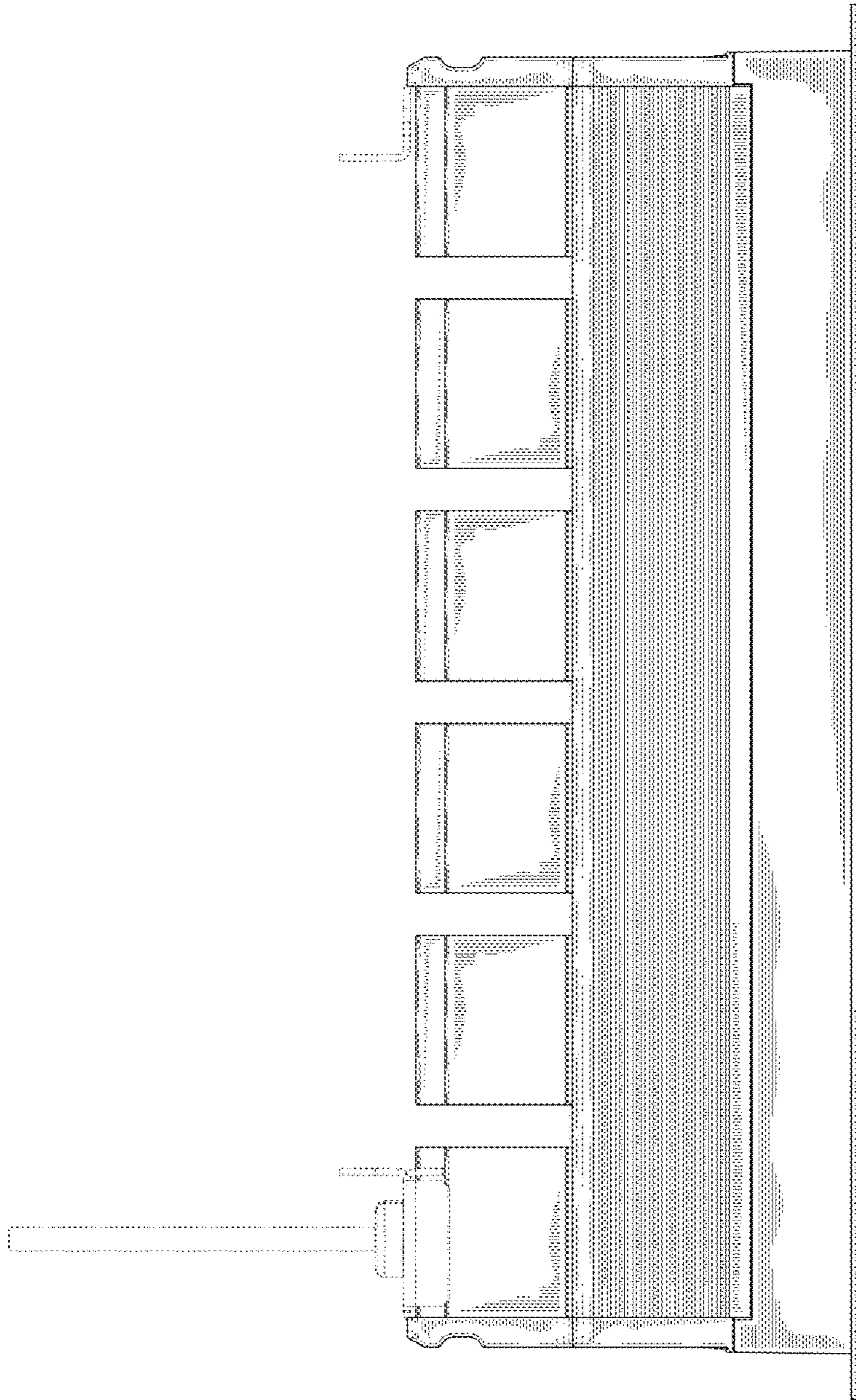


FIG. 18

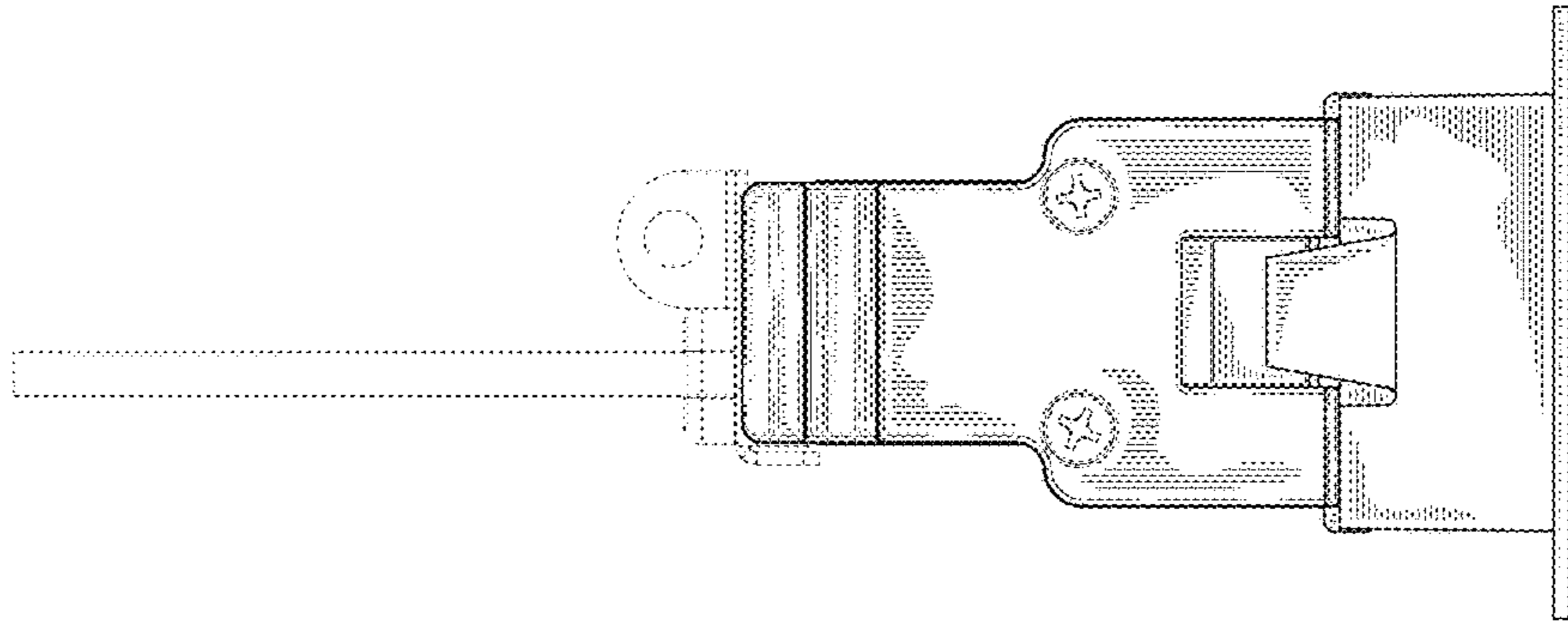


FIG. 21

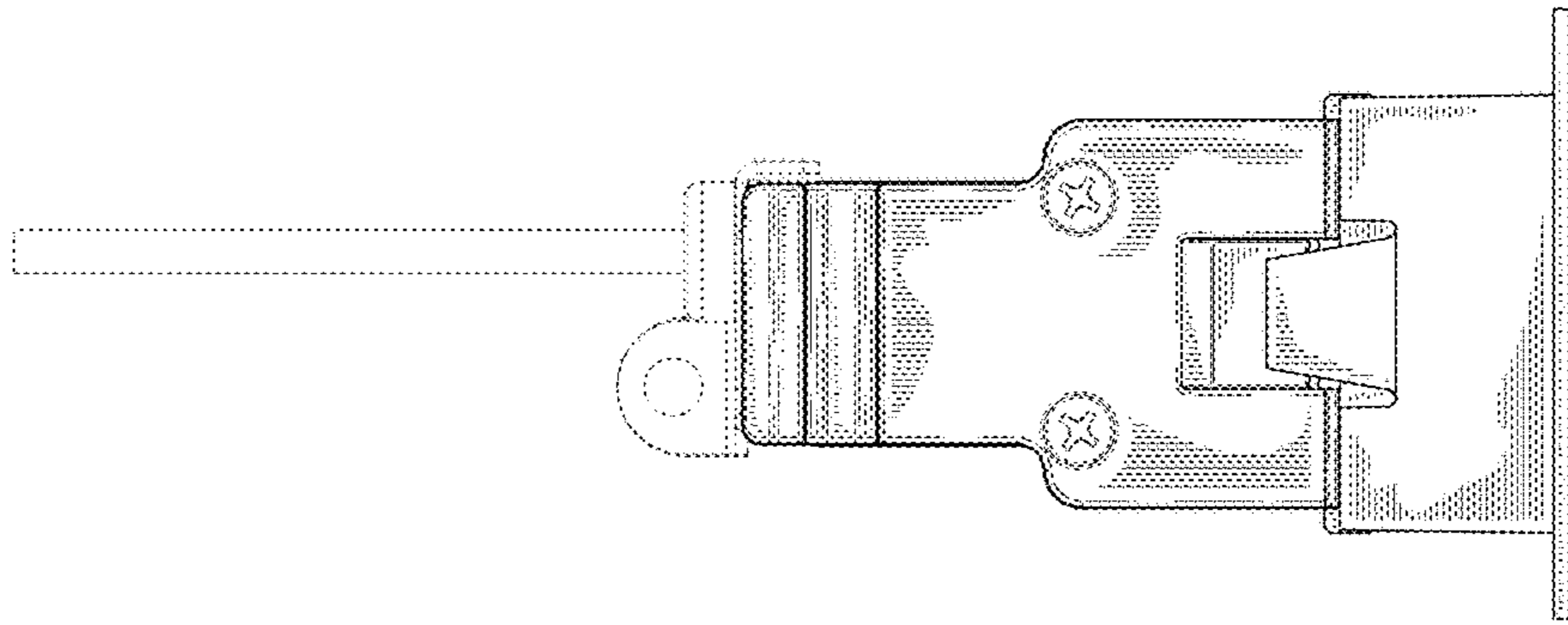


FIG. 20

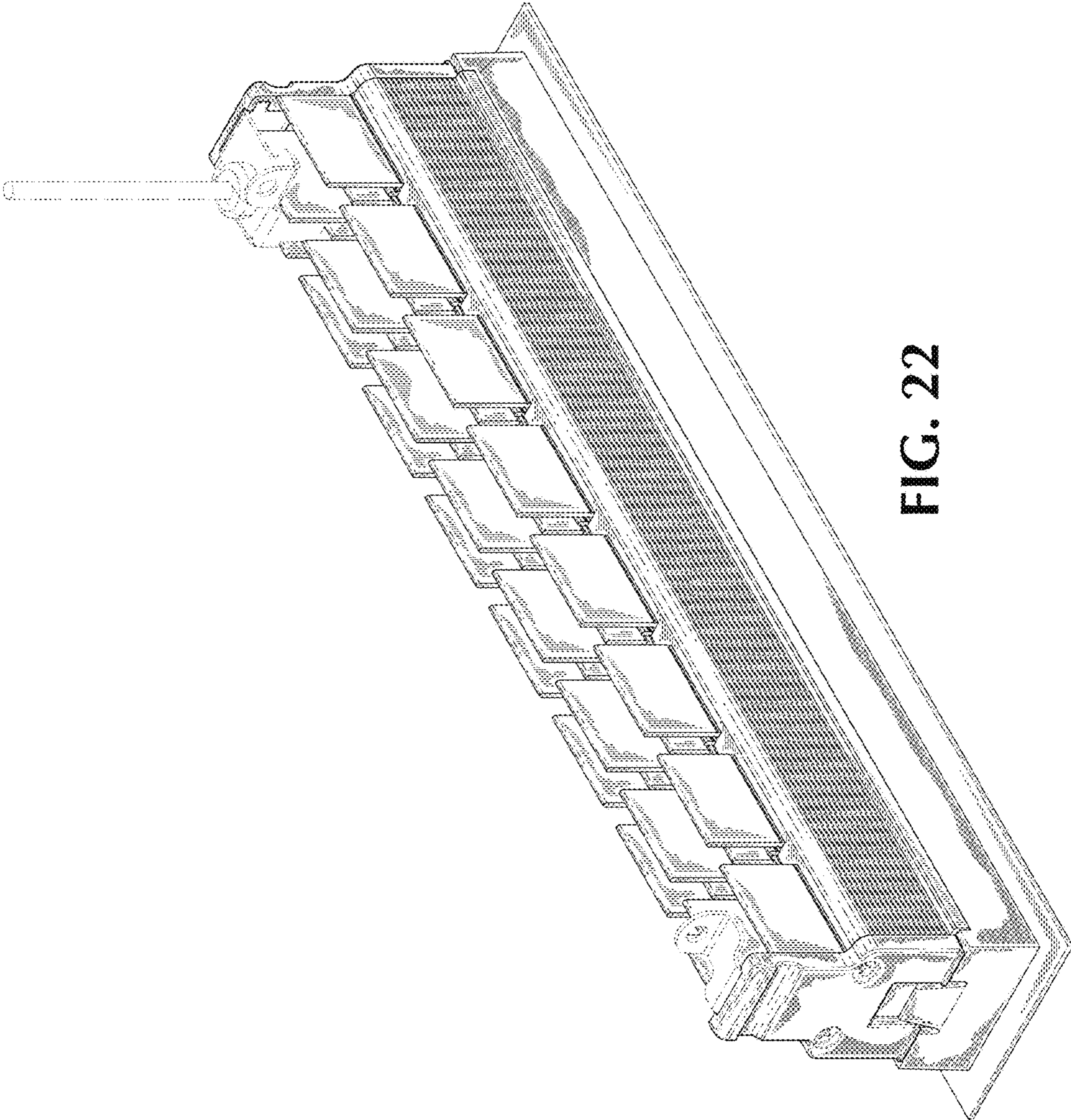


FIG. 22

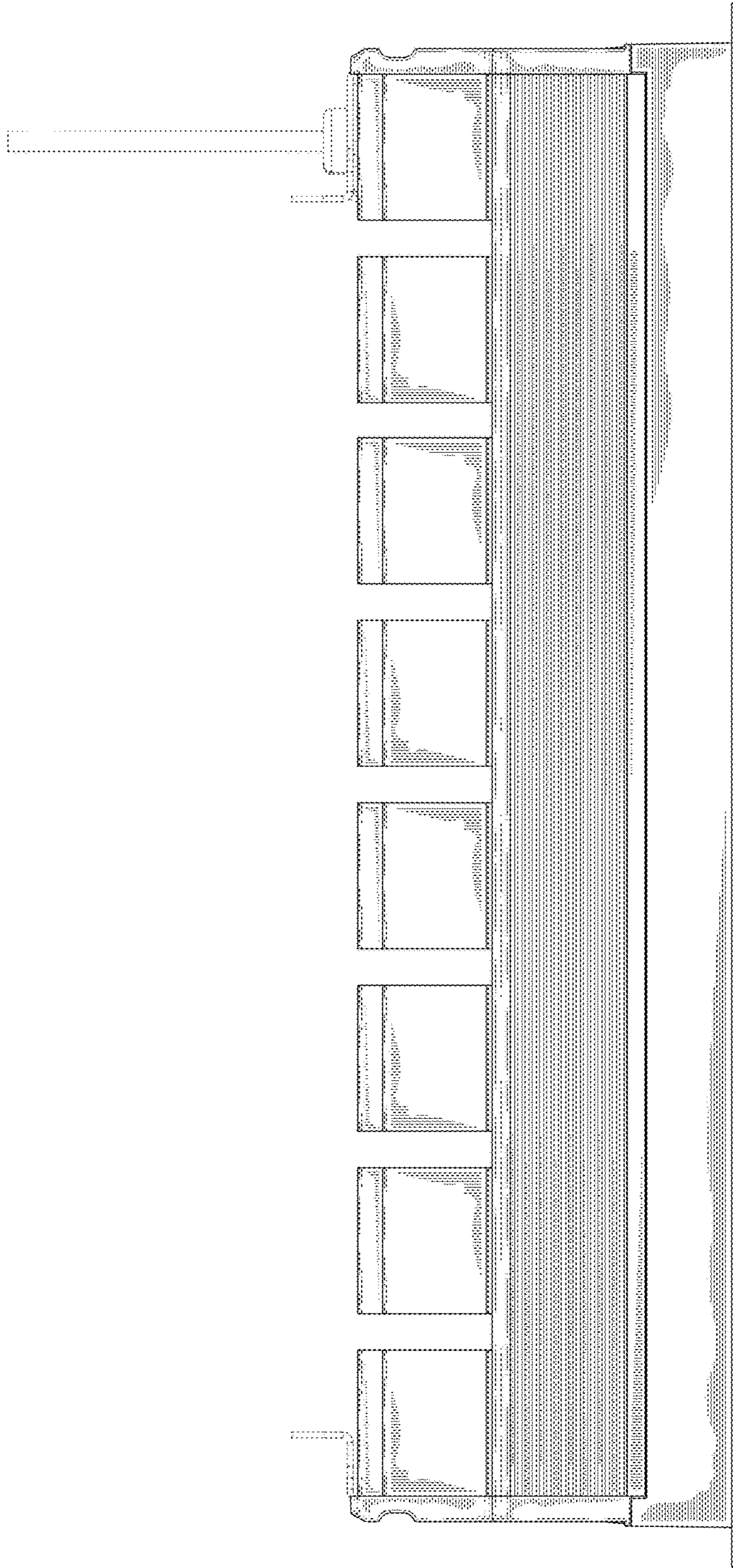


FIG. 23

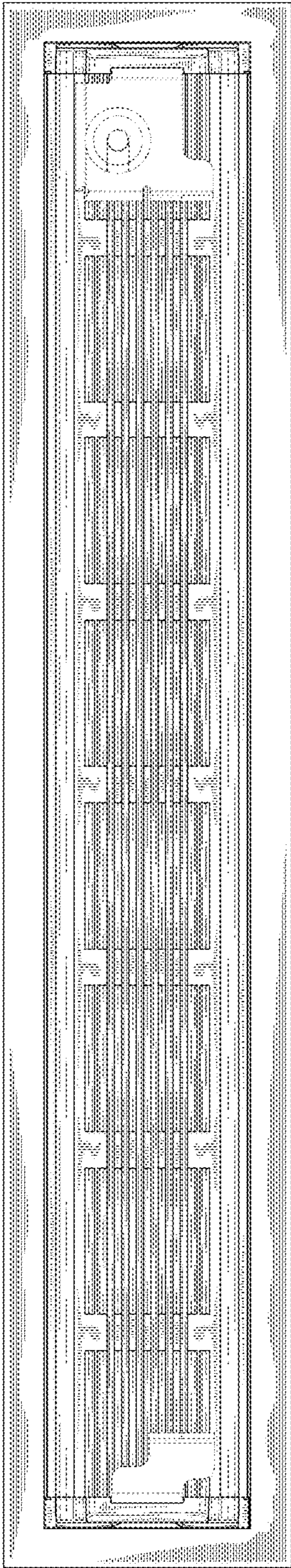


FIG. 24

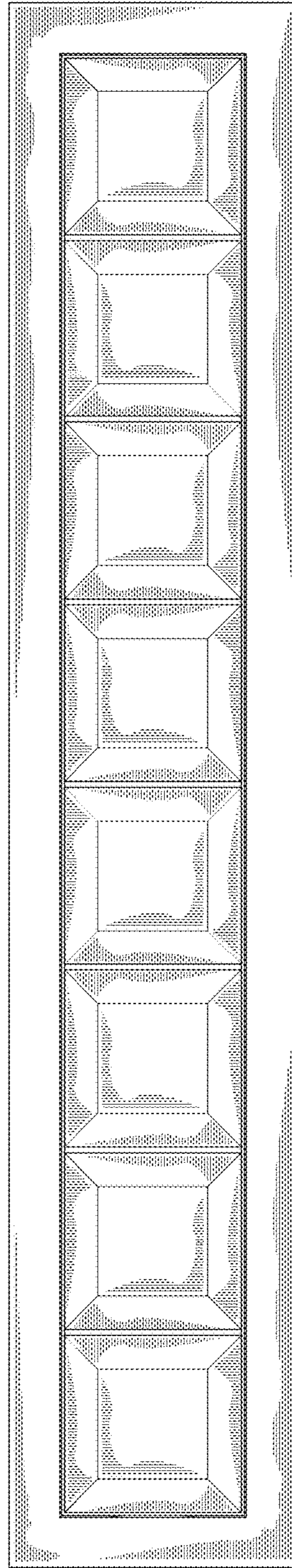


FIG. 26

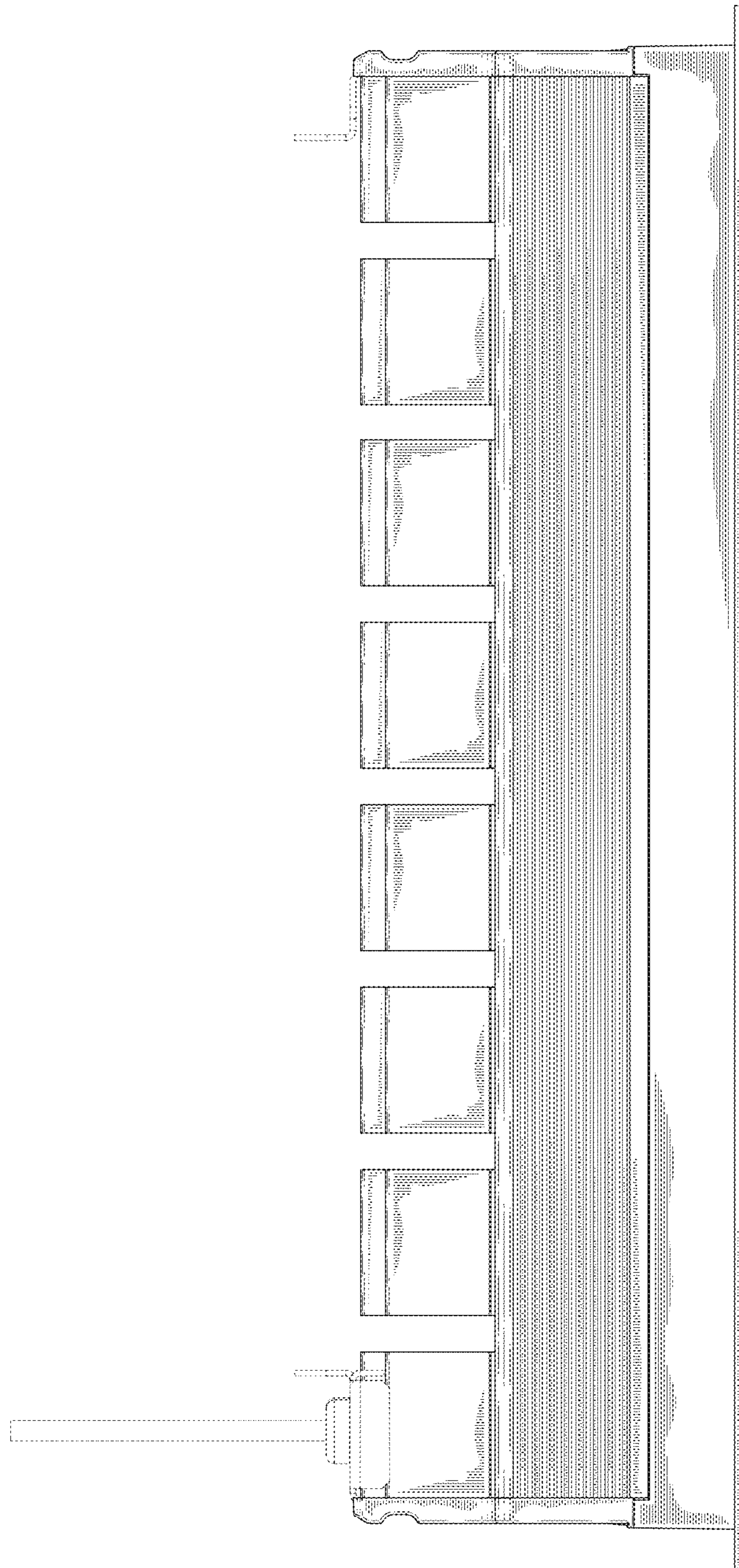


FIG. 25

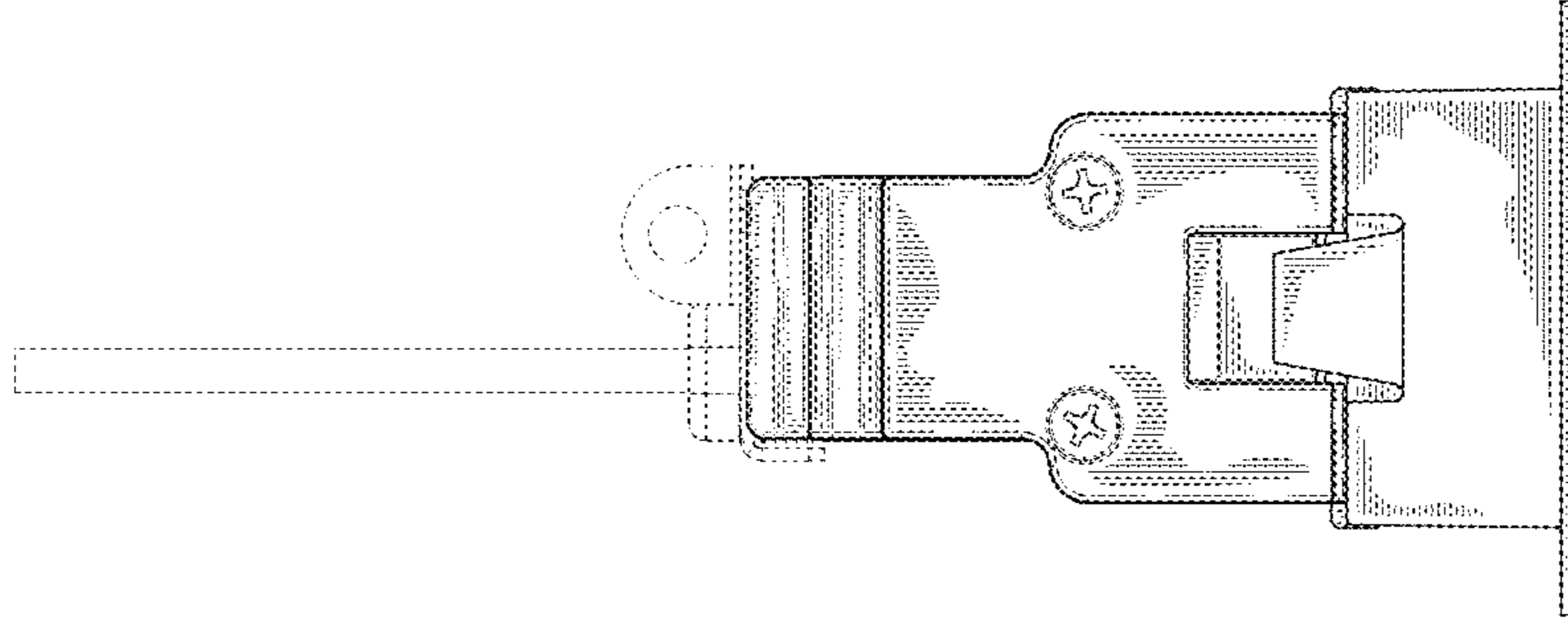


FIG. 27

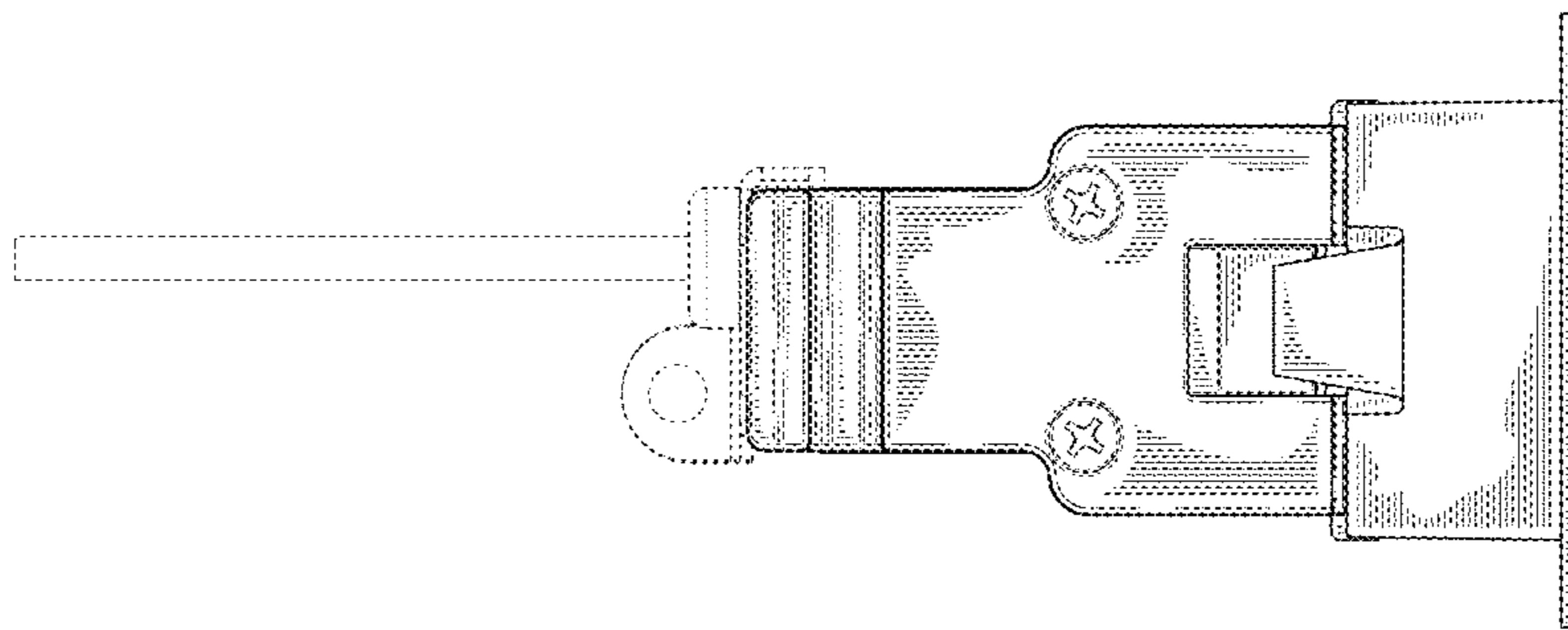


FIG. 28

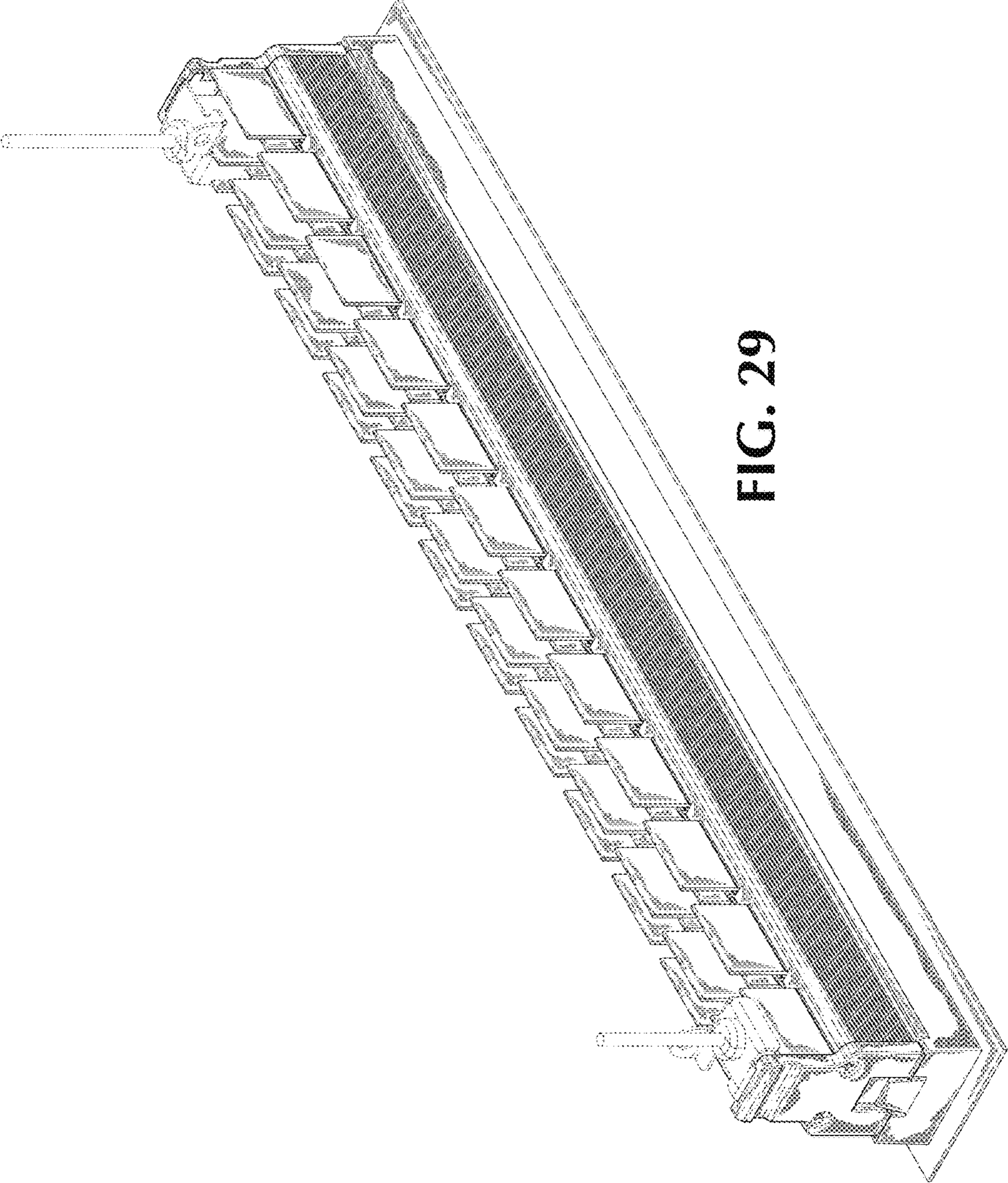


FIG. 29

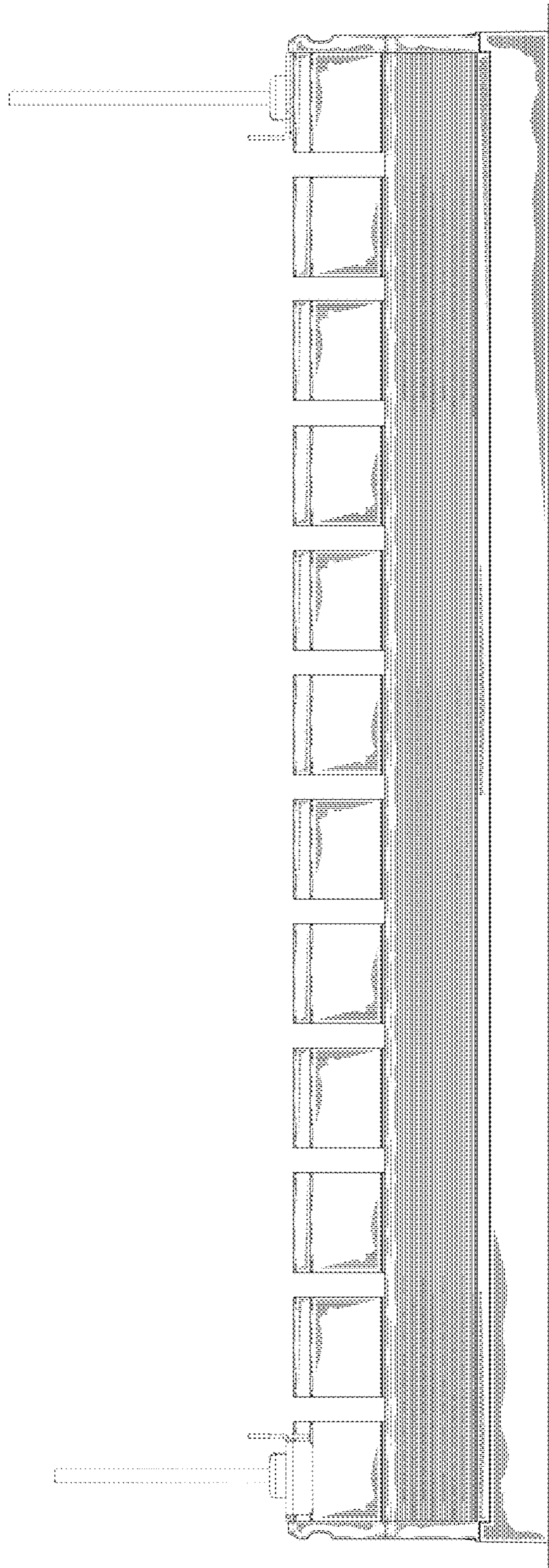


FIG. 30

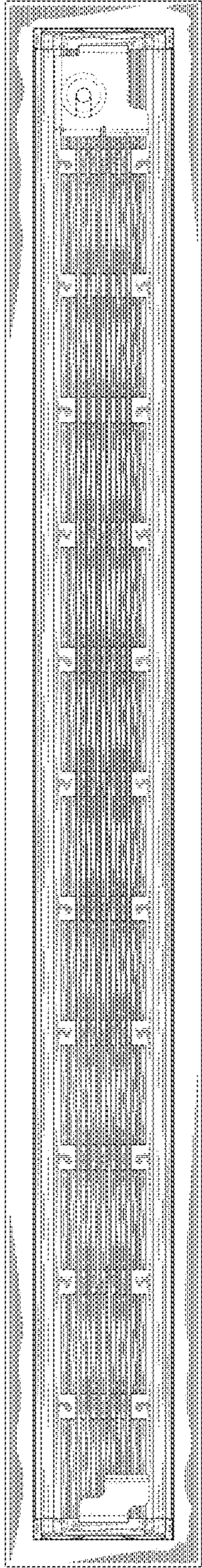


FIG. 31

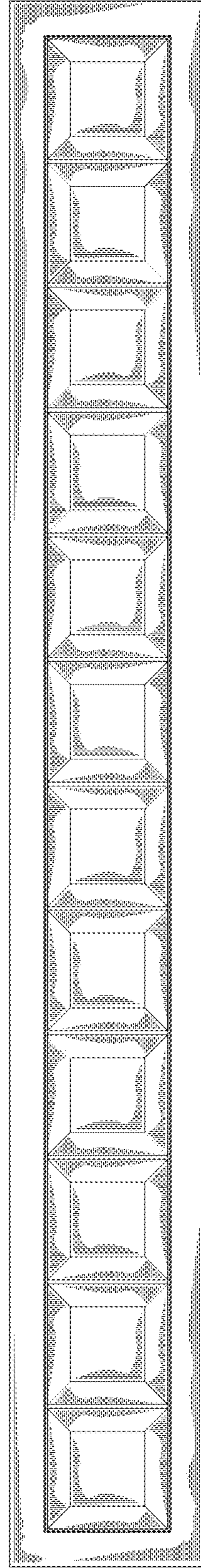


FIG. 33

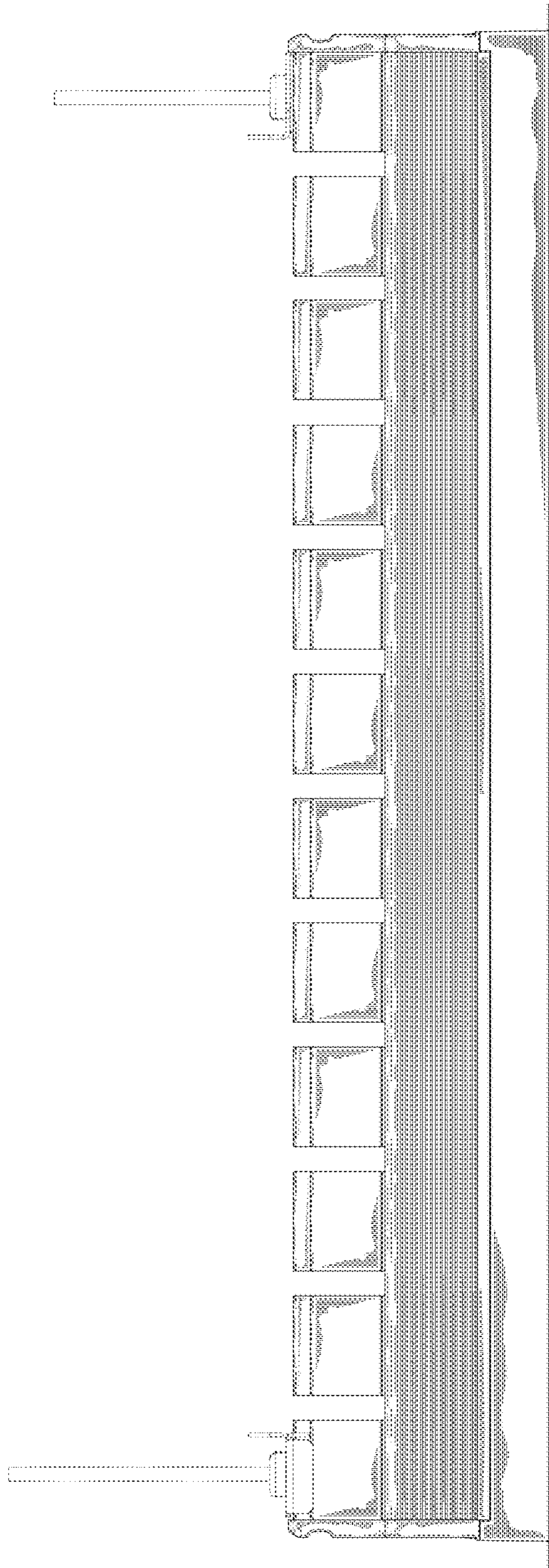


FIG. 32

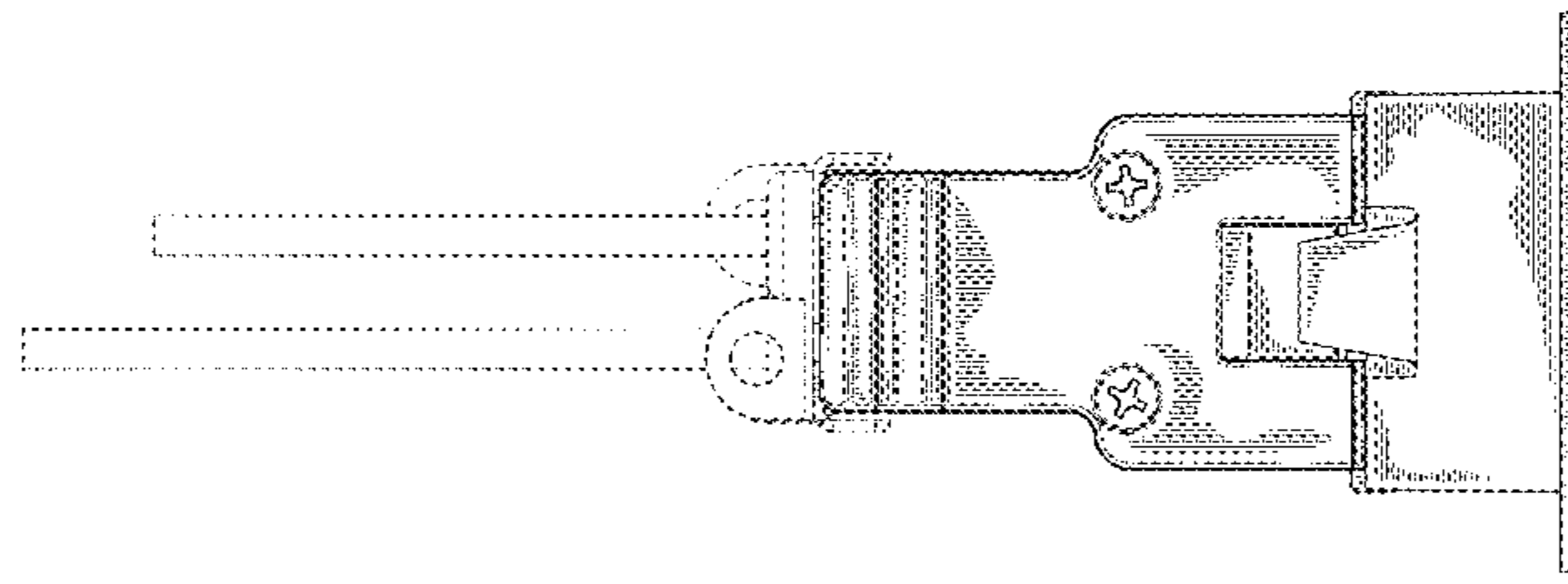


FIG. 35

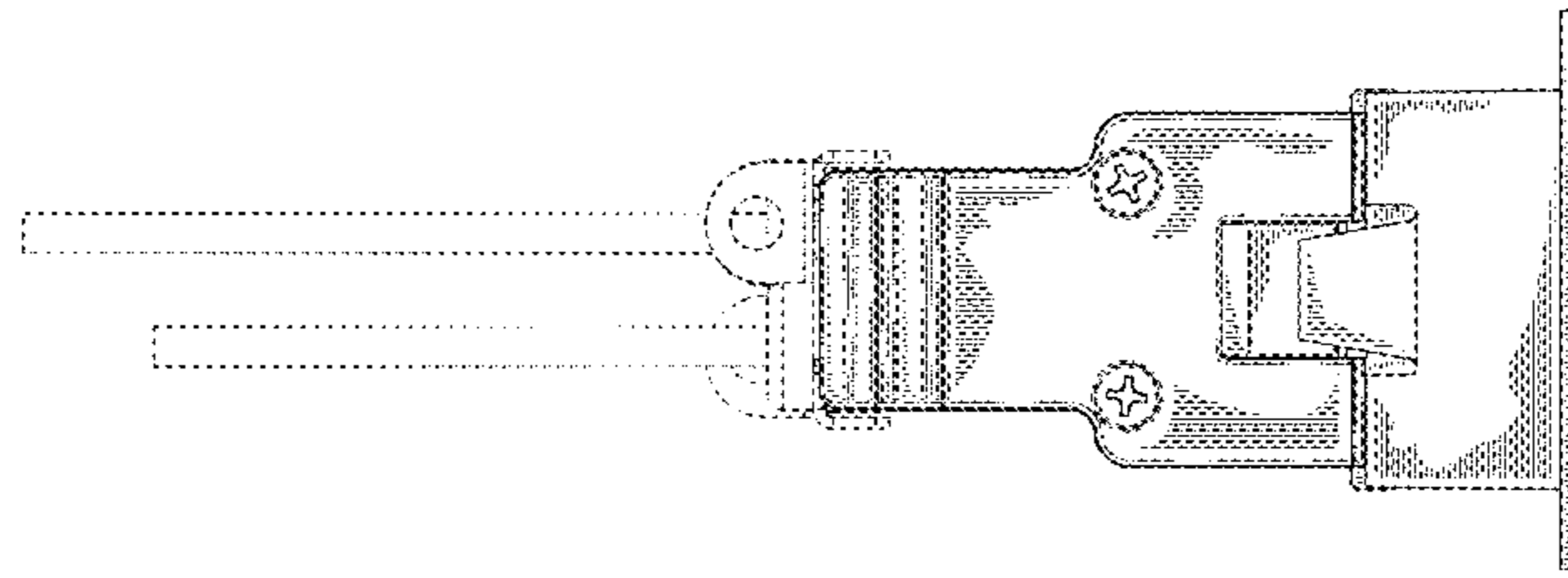


FIG. 34