



US00D814667S

(12) **United States Design Patent**  
**Morris**

(10) **Patent No.:** **US D814,667 S**

(45) **Date of Patent:** **\*\* Apr. 3, 2018**

(54) **LIGHT BULB**

(71) Applicant: **FLYTE LLC**, New York, NY (US)

(72) Inventor: **Simon Morris**, New York, NY (US)

(73) Assignee: **Flyte LLC**, New York, NY (US)

(\*\*) Term: **15 Years**

(21) Appl. No.: **29/590,188**

(22) Filed: **Jan. 9, 2017**

(51) **LOC (11) Cl.** ..... **26-04**

(52) **U.S. Cl.**  
USPC ..... **D26/2**

(58) **Field of Classification Search**

USPC ..... D26/1-4; 313/313, 315, 316, 317, 318,  
313/493; 315/52, 53, 56, 57, 58  
CPC ..... H01R 5/00; H01R 13/46; H01R 13/514;  
H01R 31/048; H01R 31/02; H01J 5/00;  
H01J 5/16; H01J 15/00; H01J 5/48; H01J  
5/50; H01J 19/54; F21V 5/00

See application file for complete search history.

(56) **References Cited**

**U.S. PATENT DOCUMENTS**

D443,703 S *	6/2001	Sood	.....	D26/2
D506,840 S *	6/2005	Van de Ven	.....	D26/2
D528,674 S *	9/2006	Gonzalez	.....	D26/2
D540,961 S *	4/2007	Hrubowchak	.....	D26/2
D548,369 S *	8/2007	Bembridge	.....	D26/2
D550,864 S *	9/2007	Hernandez, Jr.	.....	D26/2

\* cited by examiner

*Primary Examiner* — Marcus Jackson

(74) *Attorney, Agent, or Firm* — Nigamnarayan Acharya;  
Lewis Brisbois Bisgaard & Smith LLP

(57) **CLAIM**

The ornamental design for a light bulb, as shown and described.

**DESCRIPTION**

FIG. 1 is a side perspective view of a first embodiment of a light bulb having a base and a bulb;

FIG. 2 is a bottom perspective view of the embodiment shown in FIG. 1;

FIG. 3 is a side view of the embodiment shown in FIG. 1, which shows a view of the light source in the approximate center of the light bulb;

FIG. 4 is another side view of the embodiment shown in FIG. 1, which shows another view of the light source in the light bulb;

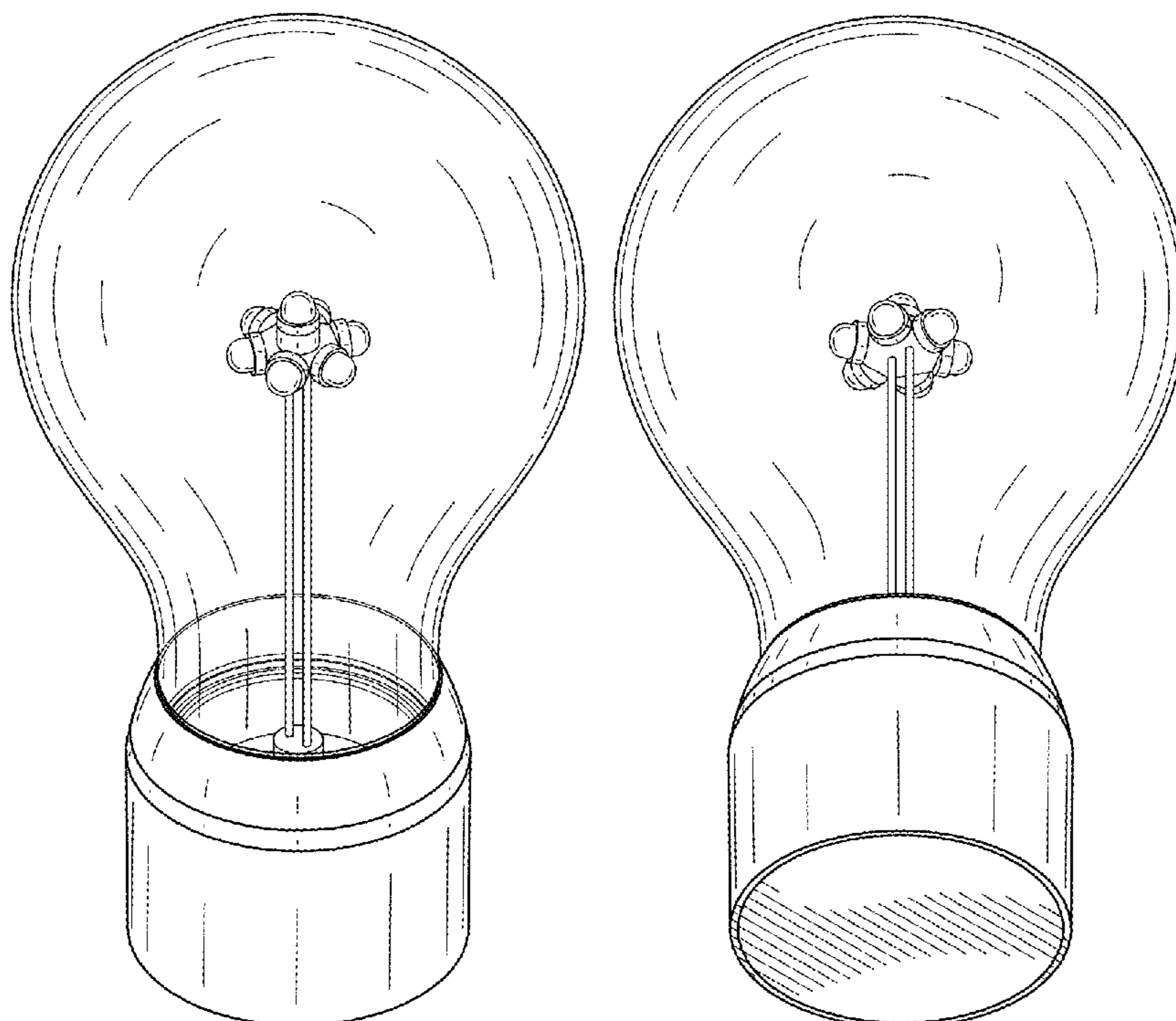
FIG. 5 is a top view of the embodiment shown in FIG. 1, which shows a top view of the light source and the shape of the bulb;

FIG. 6 is a bottom view of the embodiment shown in FIG. 1, which shows a view of the base and the bulb;

FIG. 7 is a portion of an exploded perspective view thereof; and,

FIG. 8 is another portion of an exploded perspective view thereof.

**1 Claim, 5 Drawing Sheets**



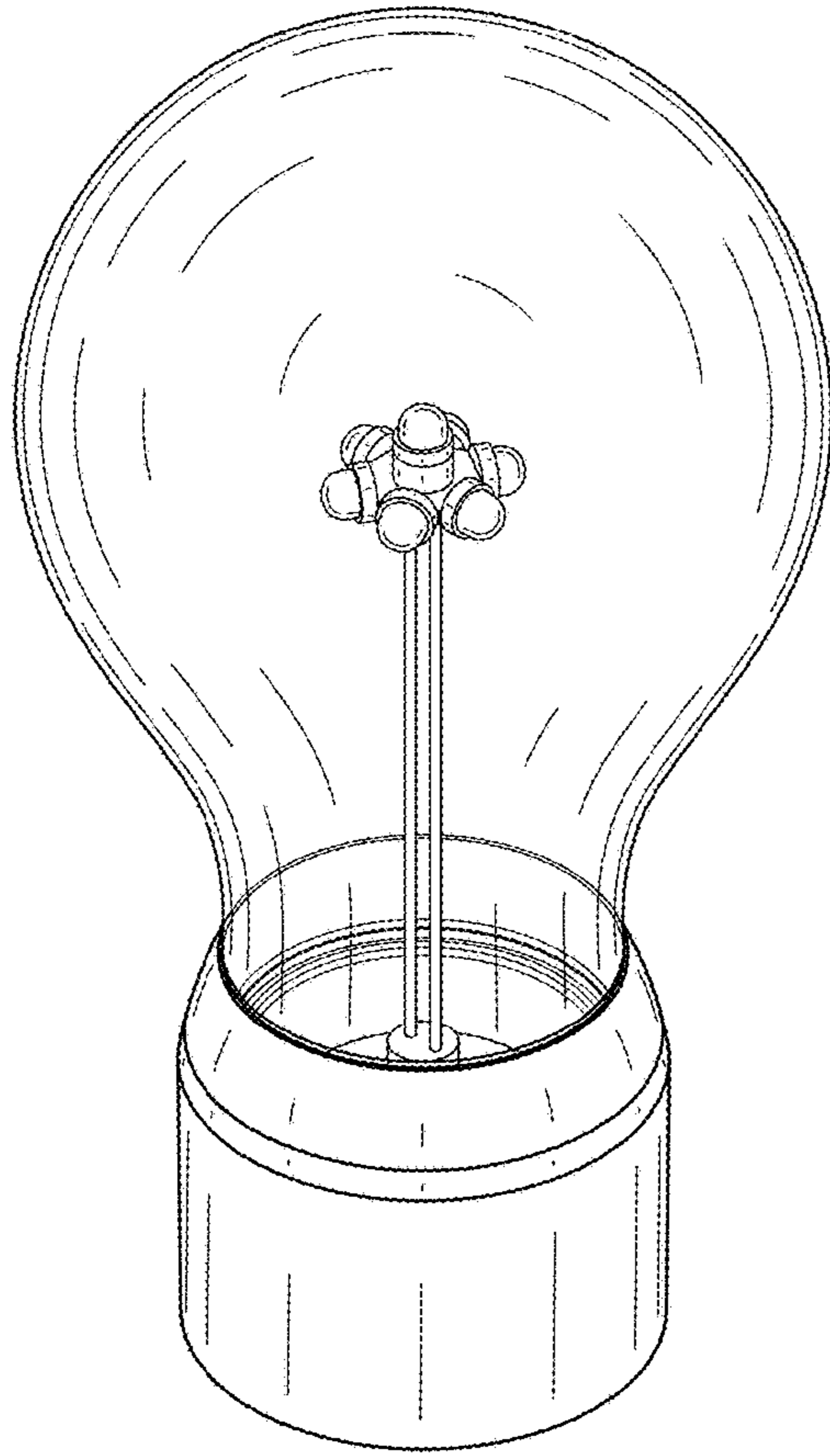


FIG. 1

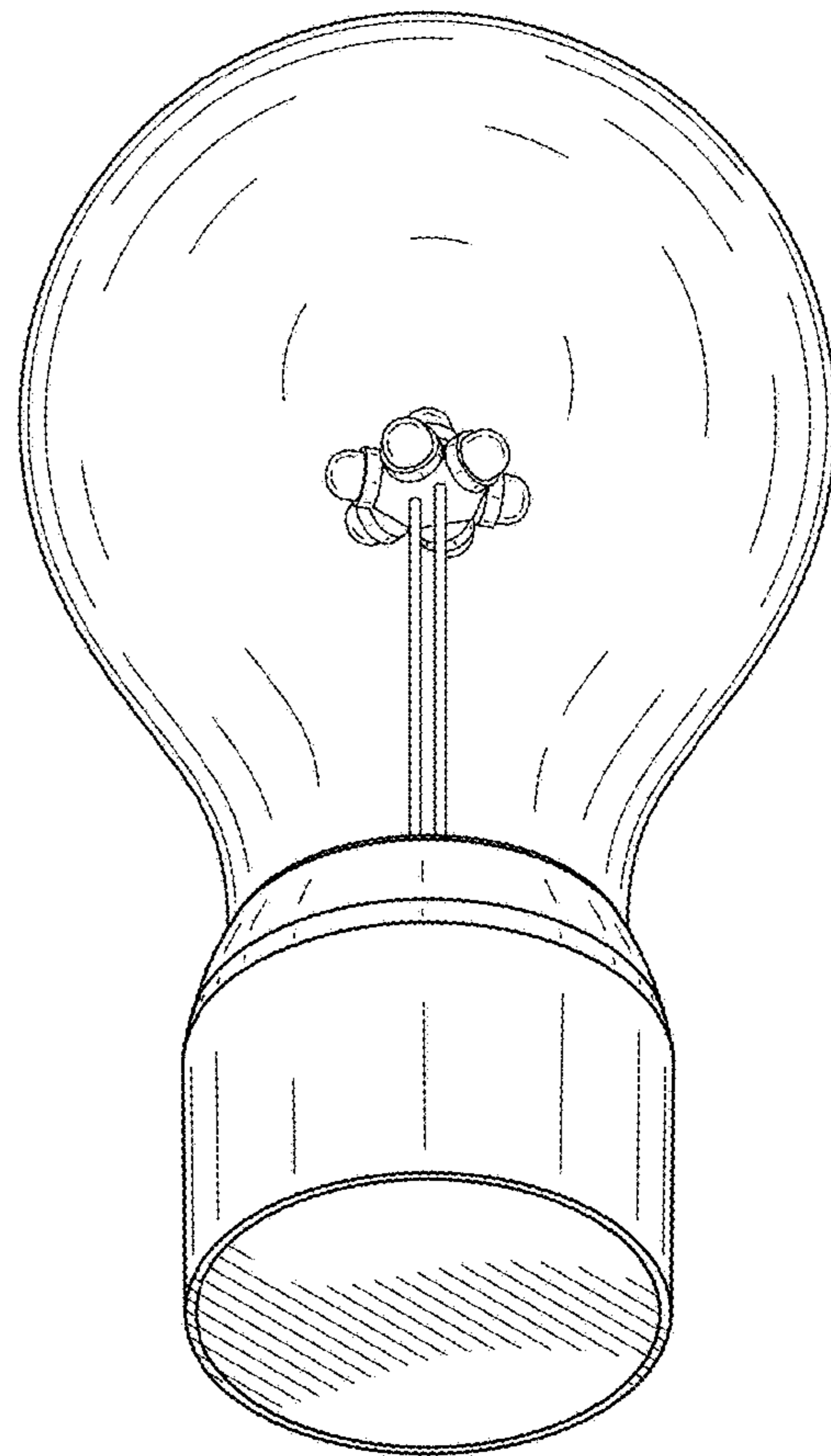


FIG. 2

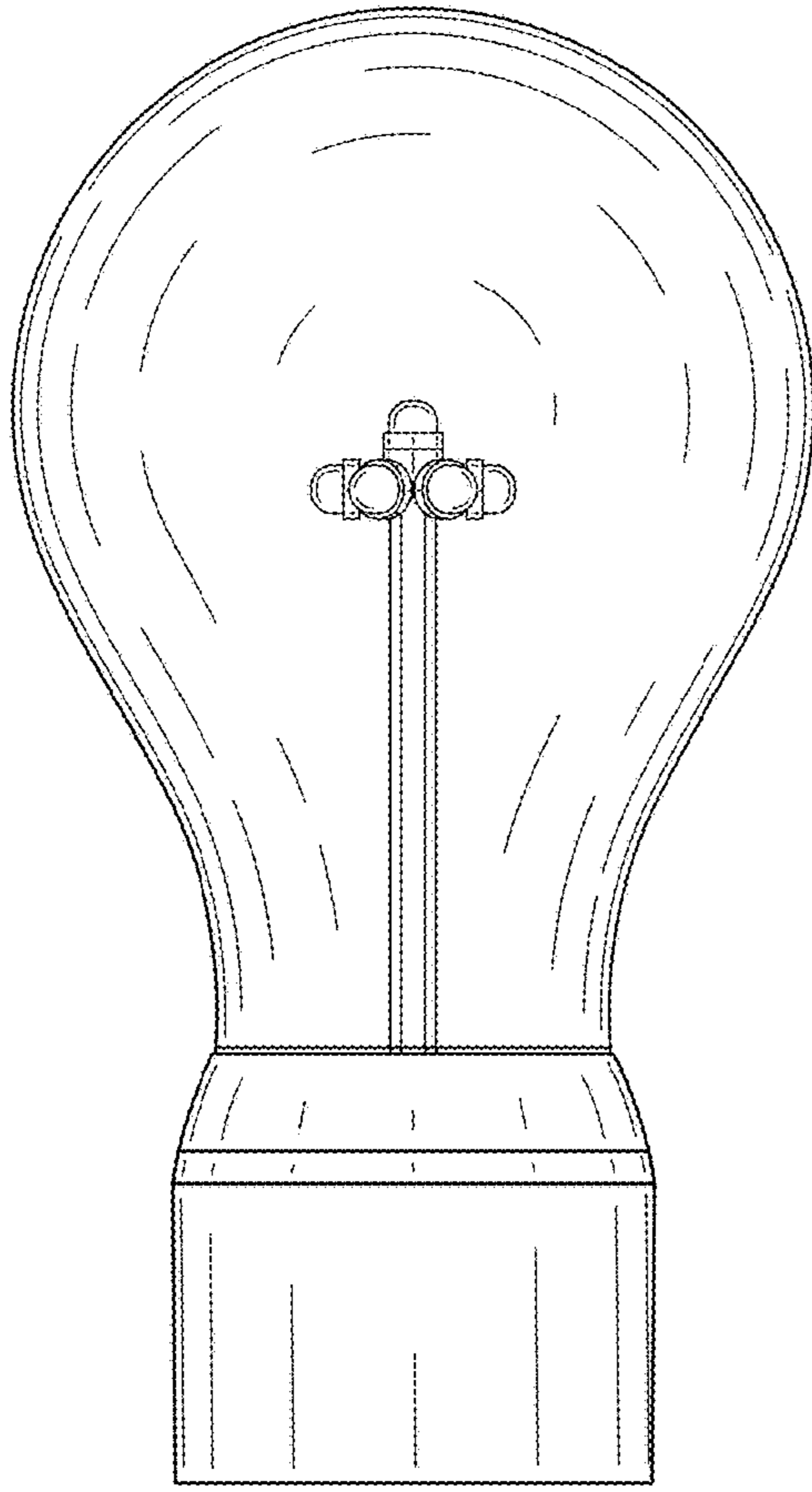


FIG. 3

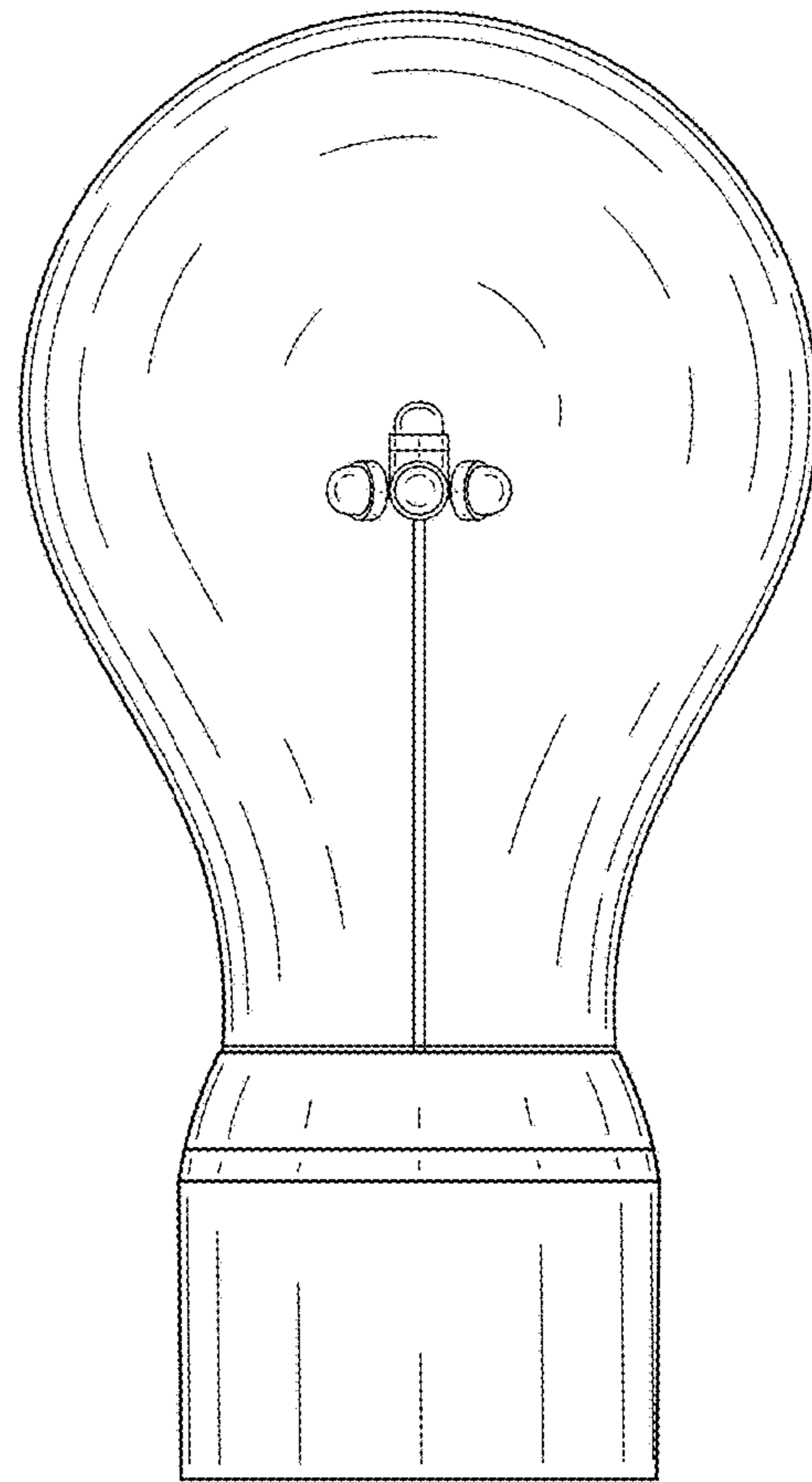


FIG. 4

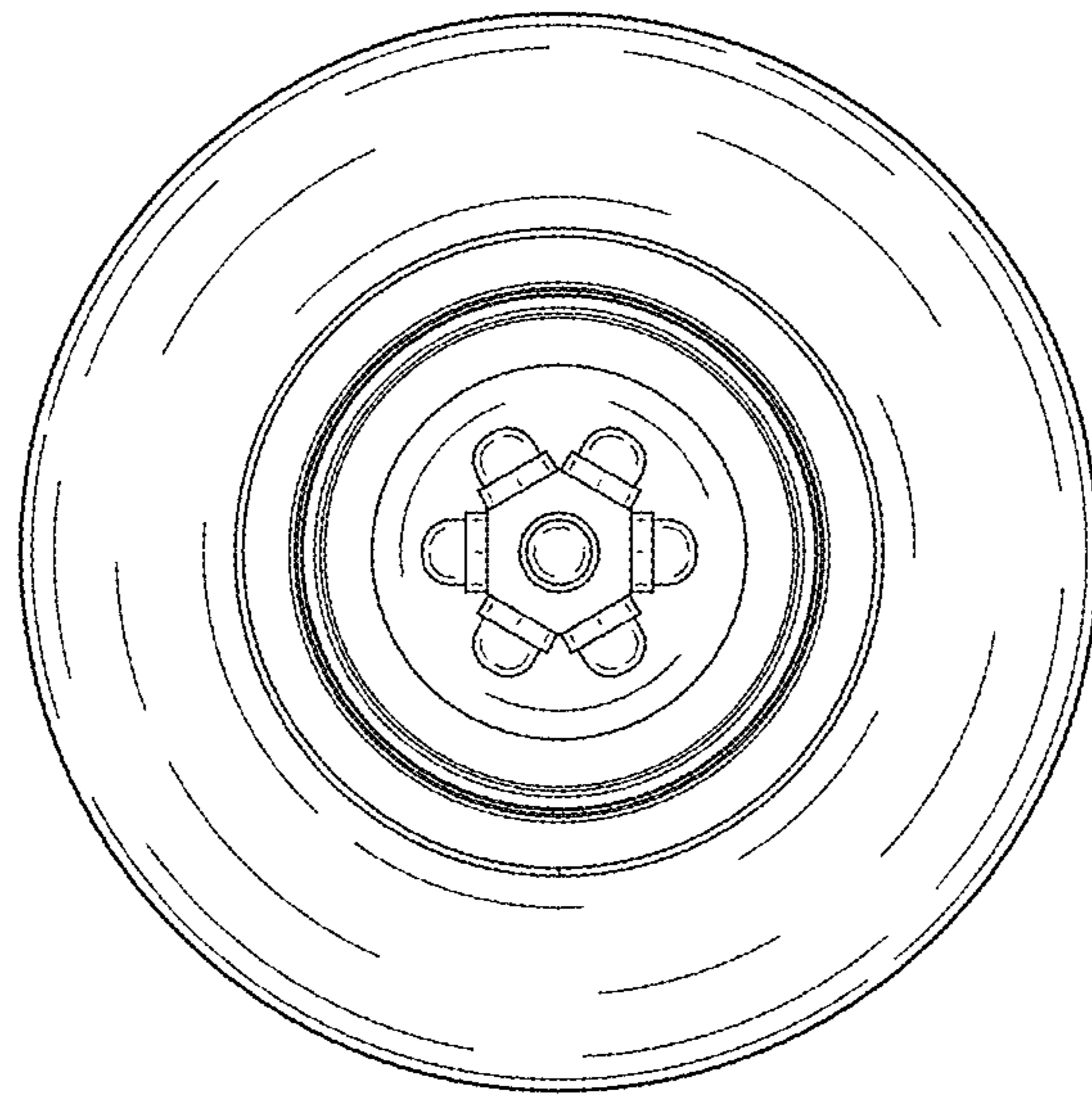


FIG. 5

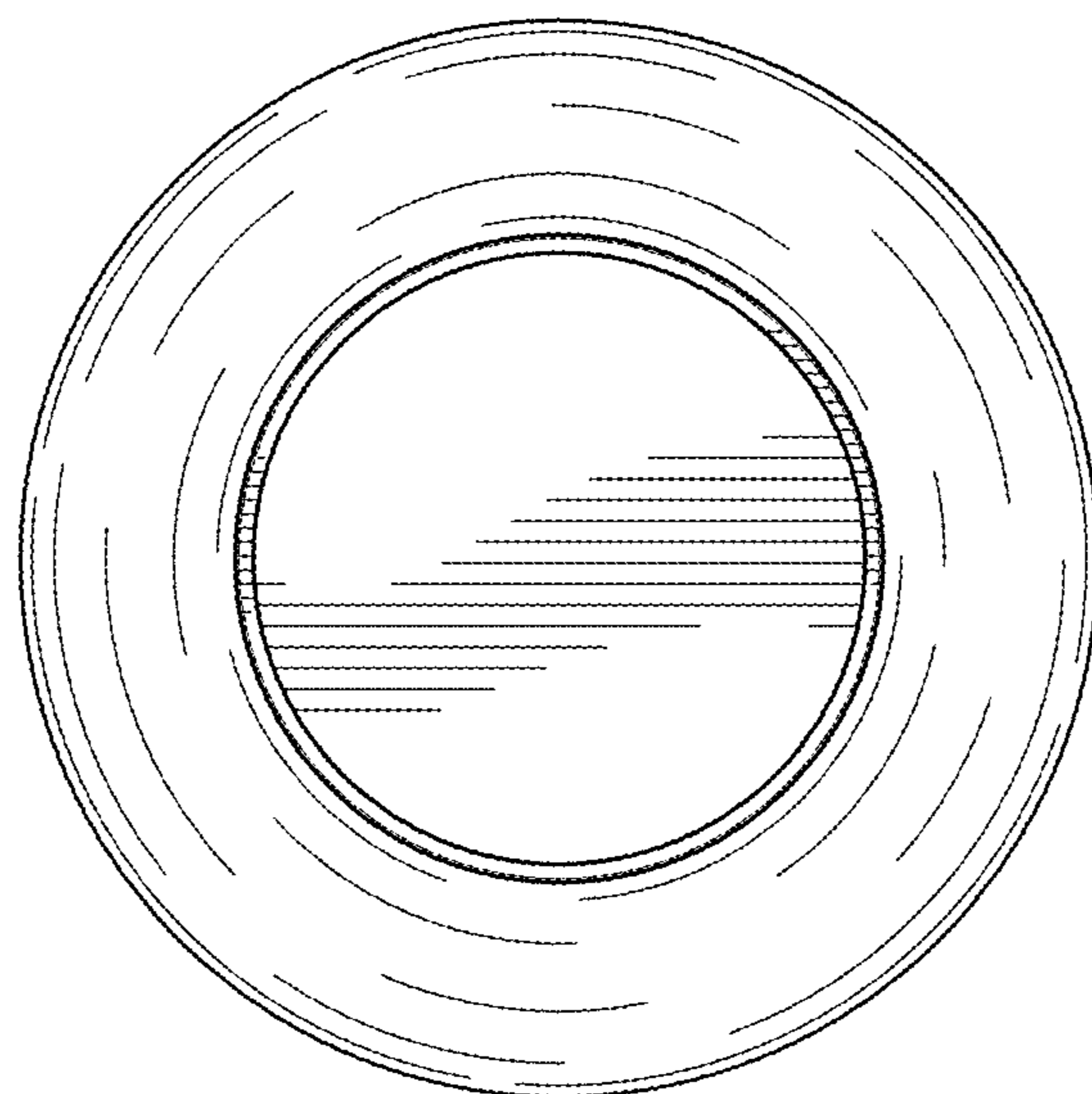


FIG. 6

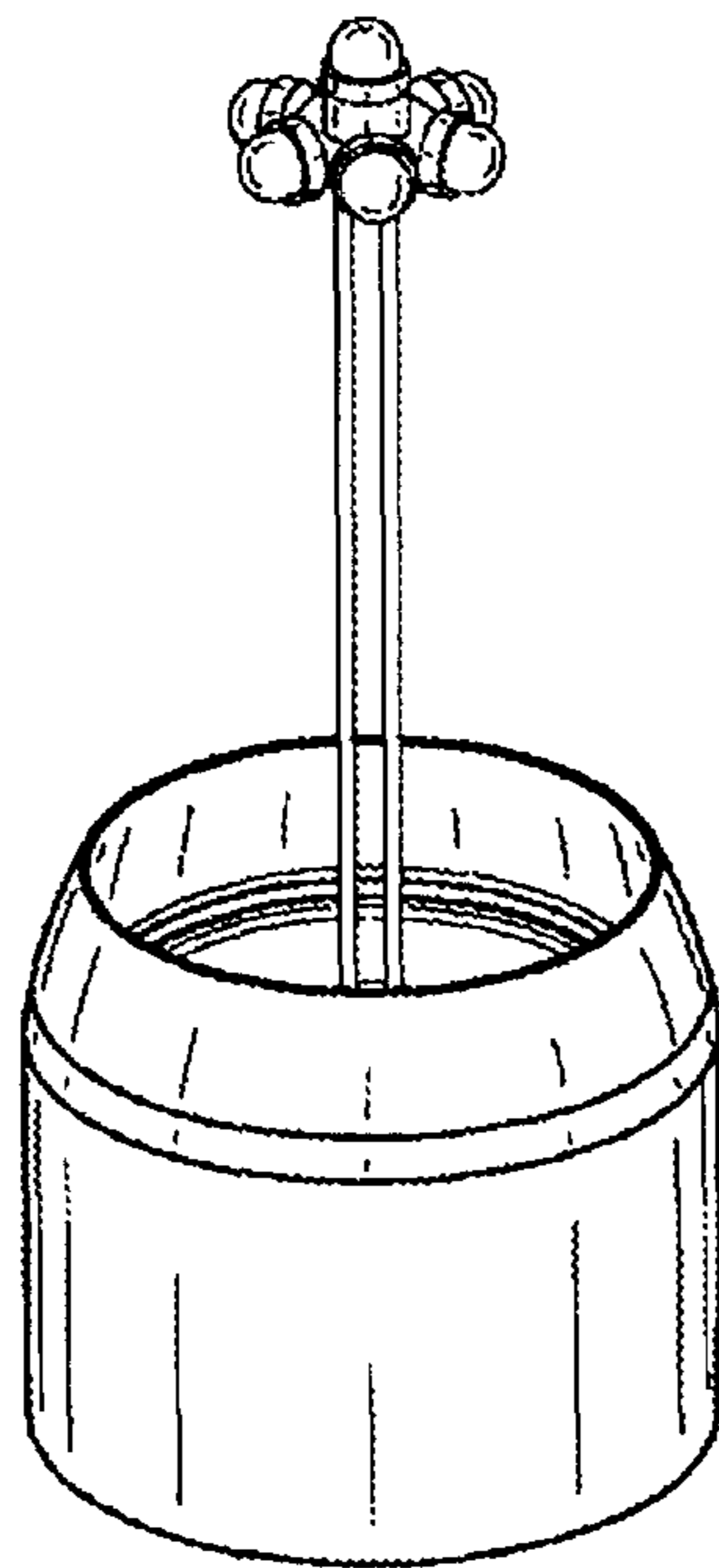
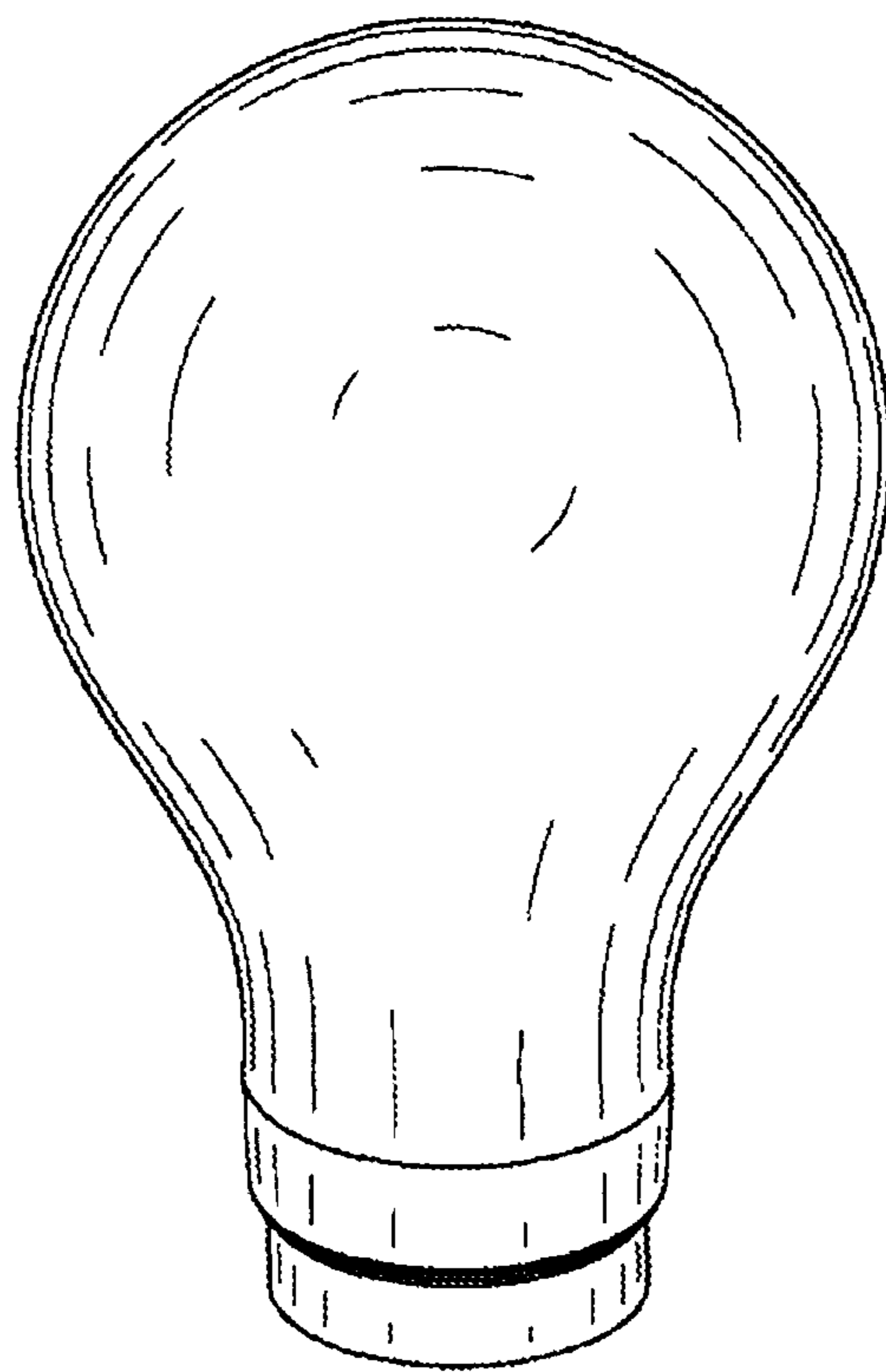


FIG. 7



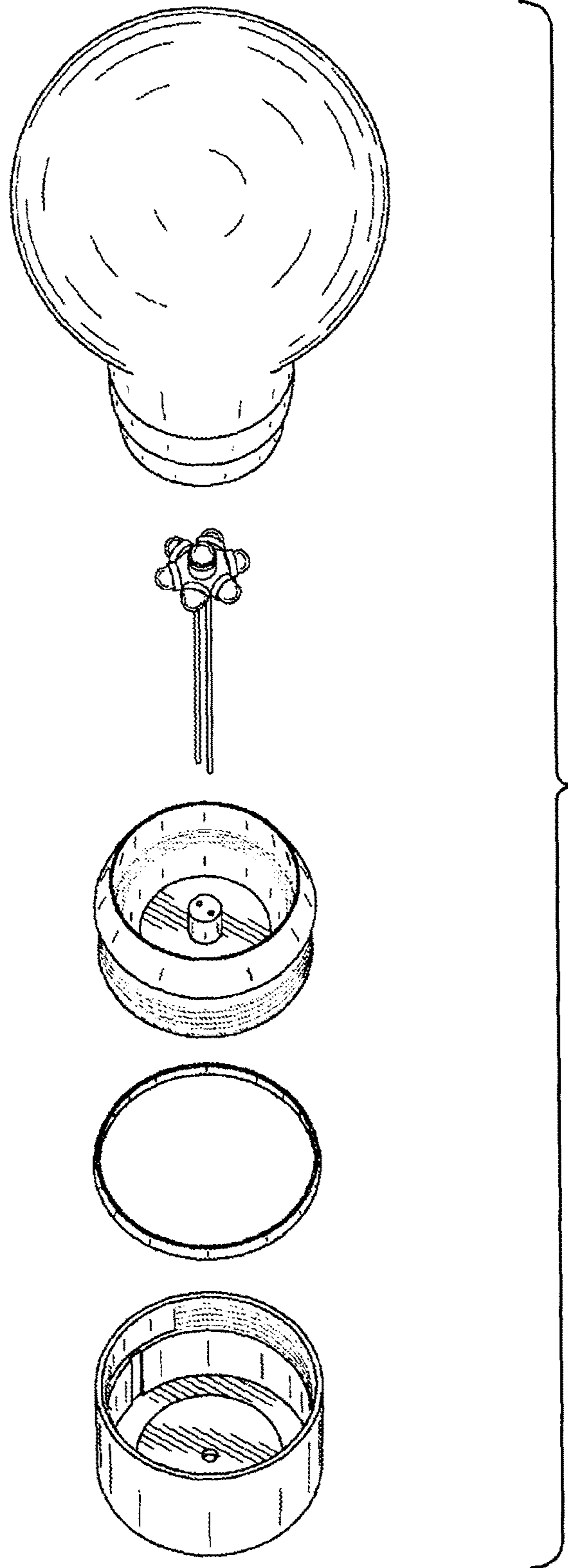


FIG. 8