



US00D814663S

(12) **United States Design Patent**  
**Wakebe**

(10) **Patent No.:** **US D814,663 S**

(45) **Date of Patent:** **\*\* Apr. 3, 2018**

(54) **ROOFING BOARD**

(71) Applicant: **NIPPON STEEL & SUMIKIN**  
**COATED SHEET CORPORATION,**  
Tokyo (JP)

(72) Inventor: **Takahiko Wakebe,** Tokyo (JP)

(73) Assignee: **Nippon Steel & Sumikin Coated**  
**Sheet Corp.,** Tokyo (JP)

(\*\*) Term: **14 Years**

(21) Appl. No.: **29/493,472**

(22) Filed: **Jun. 10, 2014**

(30) **Foreign Application Priority Data**

Dec. 13, 2013 (JP) ..... 2013-029387

(51) **LOC (11) Cl.** ..... **25-01**

(52) **U.S. Cl.**  
USPC ..... **D25/139**

(58) **Field of Classification Search**

USPC ..... D25/138-163, 119, 123  
CPC .... E04D 1/00; E04D 1/02; E04D 1/06; E04D  
1/12; E04D 1/18; E04D 3/00; E04D 3/02;  
E04D 3/16; E04D 3/24; E04D 3/30;  
E04D 3/361; E04D 3/368; E04D 3/362;  
E04D 3/363; E04D 3/364; E04F  
2201/0115; E04F 2201/0153; E04F 13/08;  
E04F 13/0894

See application file for complete search history.

(56) **References Cited**

**U.S. PATENT DOCUMENTS**

673,613 A \* 5/1901 Bennett ..... E04D 3/362  
52/531  
4,736,565 A \* 4/1988 Bisson ..... E04F 13/12  
52/519

5,469,680 A \* 11/1995 Hunt ..... E04D 1/18  
52/520  
D378,422 S \* 3/1997 Howe ..... D25/102  
D415,848 S \* 10/1999 Plath ..... D25/143

(Continued)

*Primary Examiner* — Vy N Koenig

*Assistant Examiner* — Kimberly Barnes

(74) *Attorney, Agent, or Firm* — Renner, Otto, Boisselle  
and Sklar, LLP

(57) **CLAIM**

The ornamental design for a roofing board, as shown and  
described.

**DESCRIPTION**

FIG. 1 is a front, bottom, right perspective view of a roofing  
board showing my new design;

FIG. 2 is a front, top, right perspective view thereof;

FIG. 3 is a front elevation view thereof;

FIG. 4 is a rear elevation view thereof;

FIG. 5 is a top plan view thereof;

FIG. 6 is a bottom plan view thereof;

FIG. 7 is a left side elevation view thereof;

FIG. 8 is a right side elevation view thereof;

FIG. 9 is an enlarged front, bottom, right perspective view  
of the area of the roofing board circumscribed by the  
dash-dot broken line rectangle in FIG. 3;

FIG. 10 is an enlarged front, top, right perspective view  
thereof;

FIG. 11 is a front elevation view thereof;

FIG. 12 is a rear elevation view thereof;

FIG. 13 is a top plan view thereof;

FIG. 14 is a bottom plan view thereof;

FIG. 15 is a right side elevation view thereof; and,

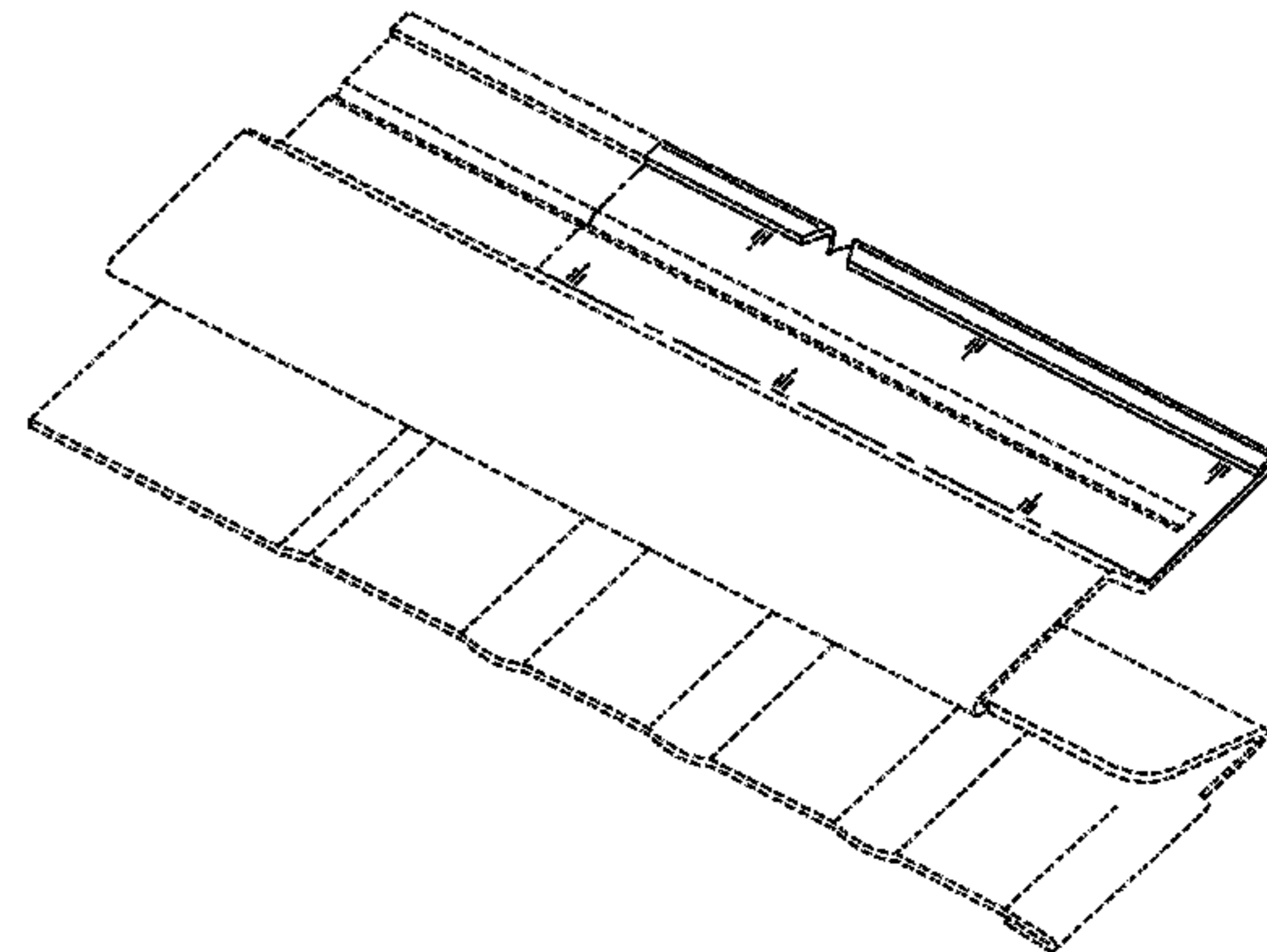
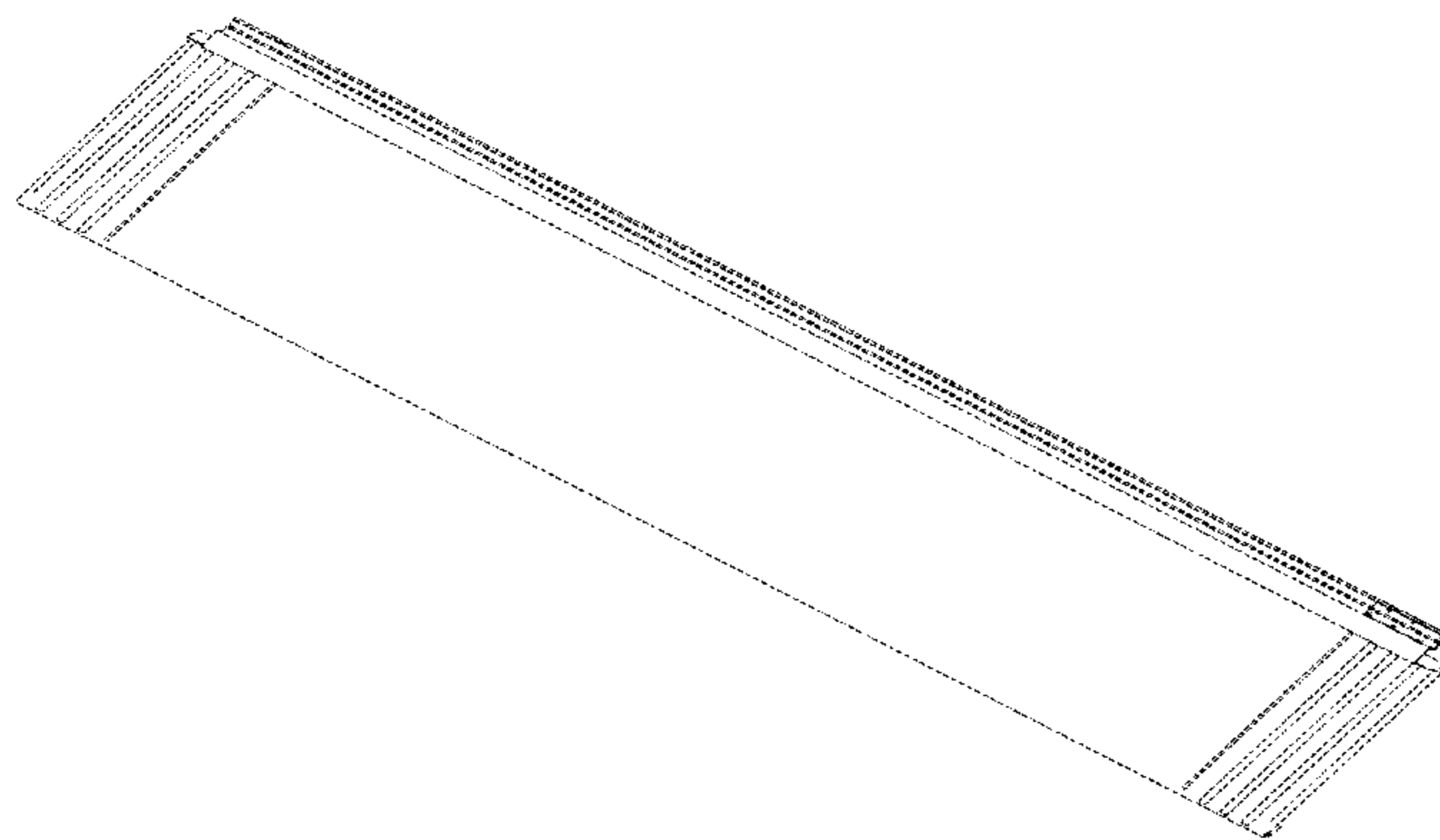
FIG. 16 is a left side elevation view thereof.

The evenly broken lines depict portions of the roofing board  
that form no part of the claimed design.

The long dash-dot broken lines represent the boundaries of  
the claimed design and form no part of the claimed design.

The dash-dot broken line in FIG. 3 is for reference to FIGS.  
9-16 and forms no part of the claimed design.

**1 Claim, 8 Drawing Sheets**



(56)

**References Cited**

U.S. PATENT DOCUMENTS

6,564,523	B1 *	5/2003	Iole .....	E04D 1/08 52/521
D710,036	S *	7/2014	Wakebe .....	D25/141
9,091,082	B2 *	7/2015	Wakebe .....	E04D 1/06
D747,500	S *	1/2016	Rasmussen .....	D25/143
9,435,125	B2 *	9/2016	Wakebe .....	E04D 1/18
D780,952	S *	3/2017	Mitchell .....	D25/139
2010/0175338	A1 *	7/2010	Garcia Cors .....	E04D 3/351 52/173.3

\* cited by examiner

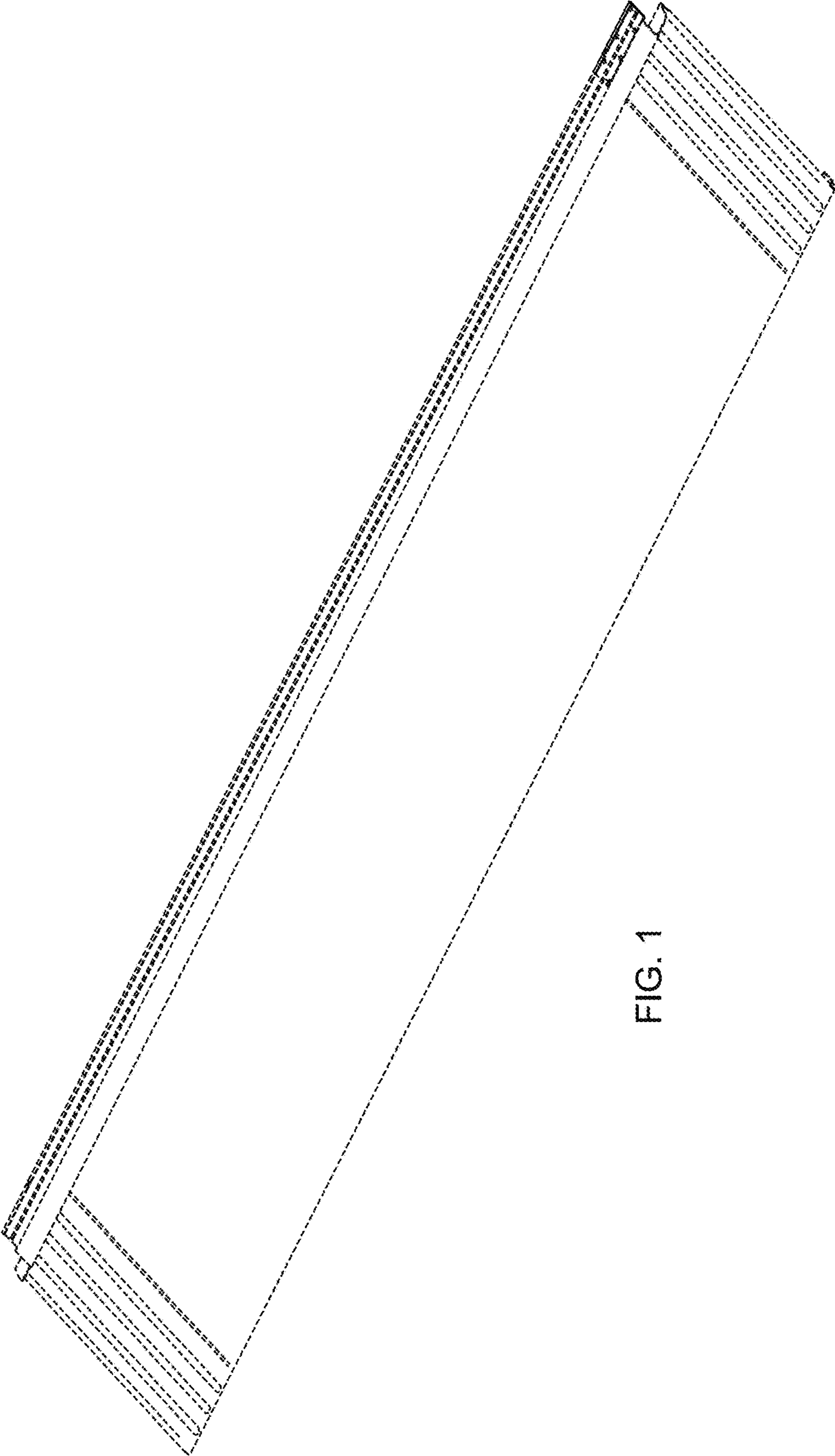


FIG. 1

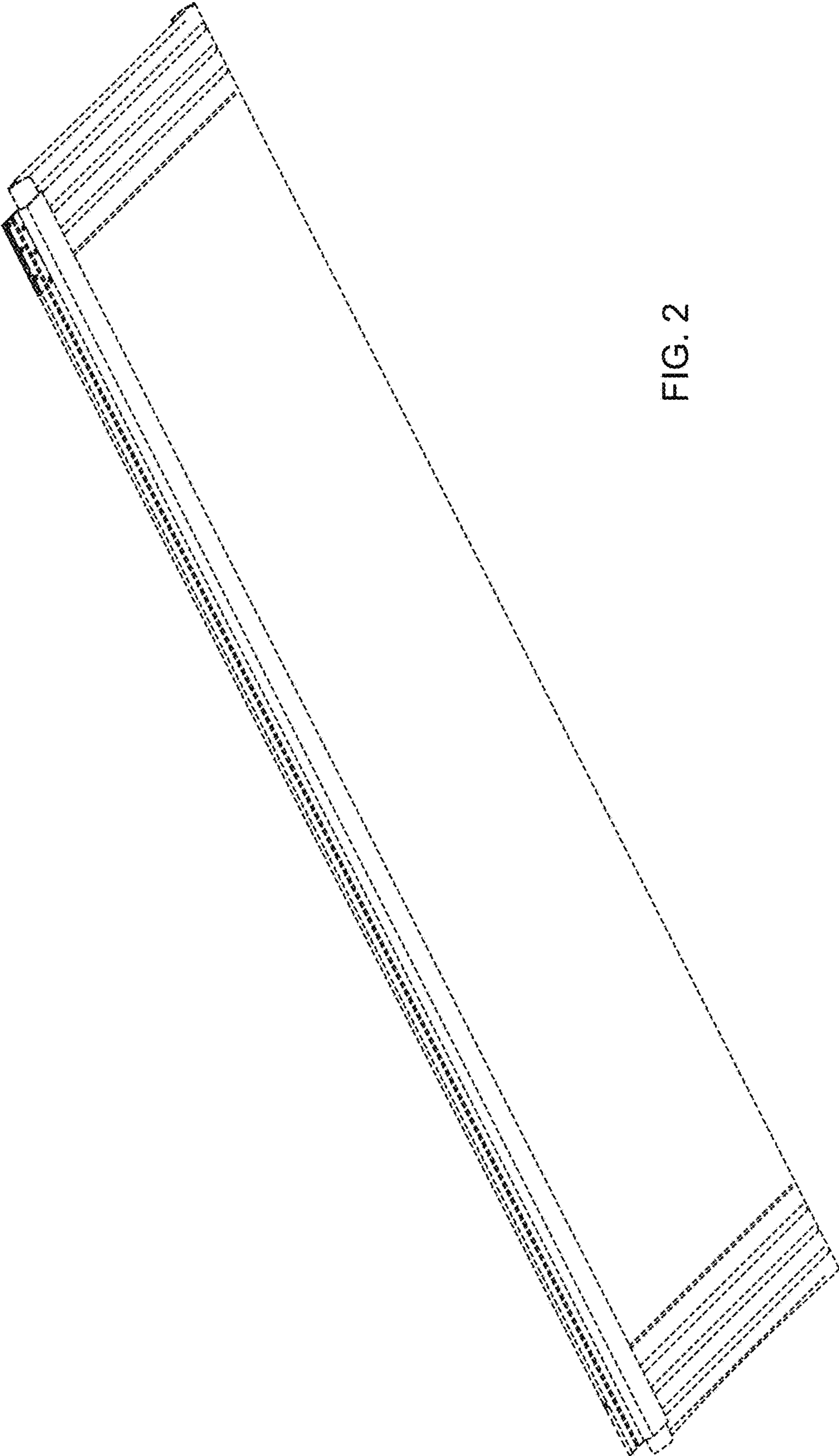


FIG. 2

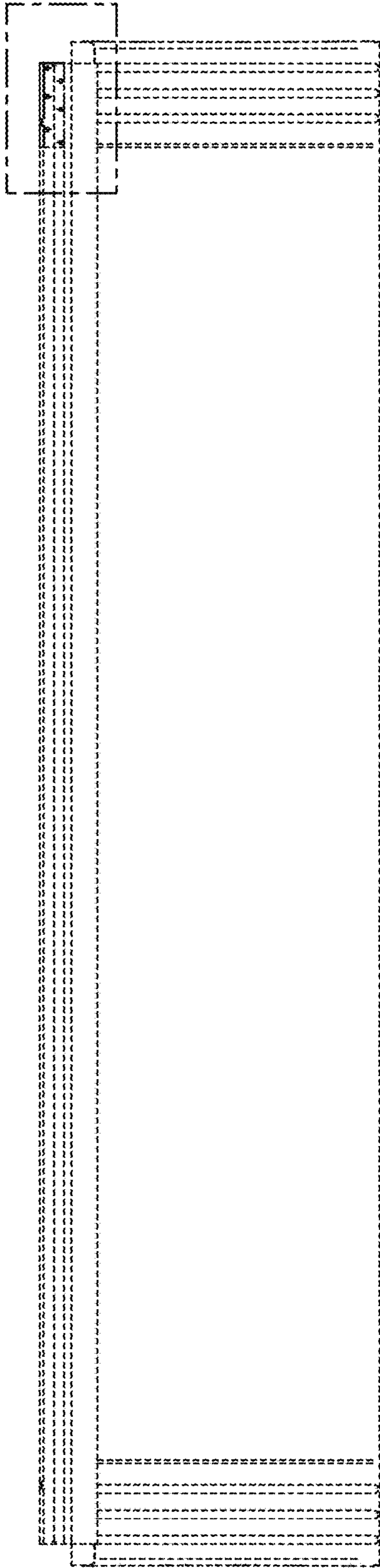


FIG. 3

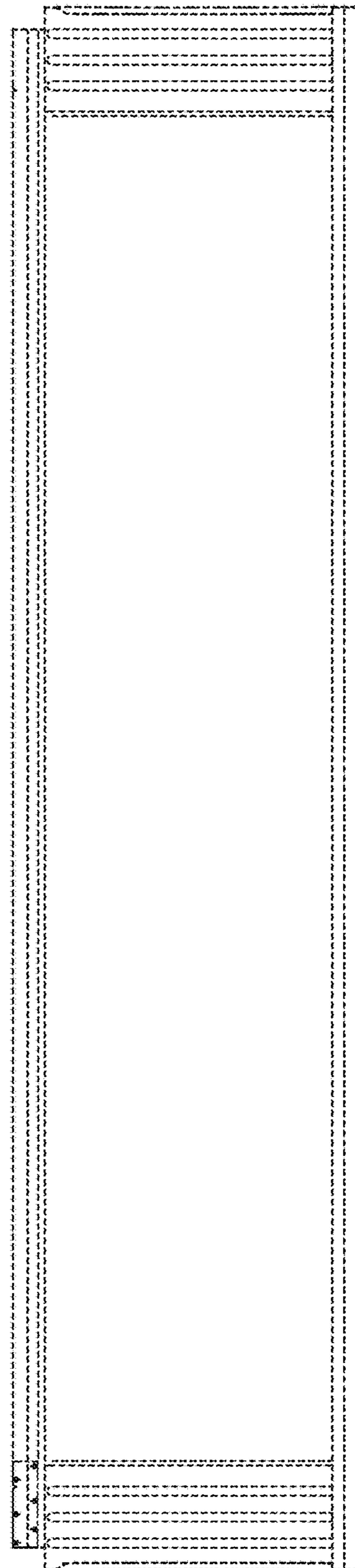


FIG. 4

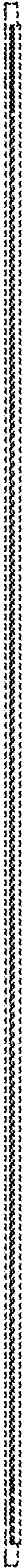


FIG. 5

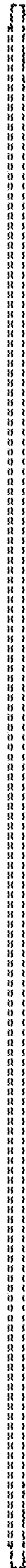


FIG. 6

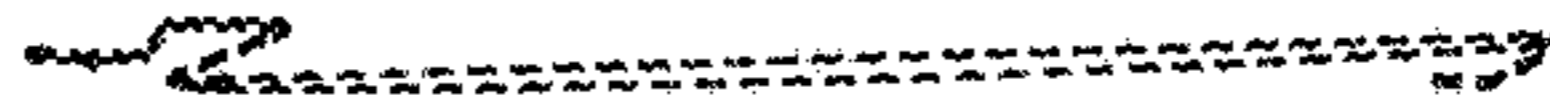


FIG. 7

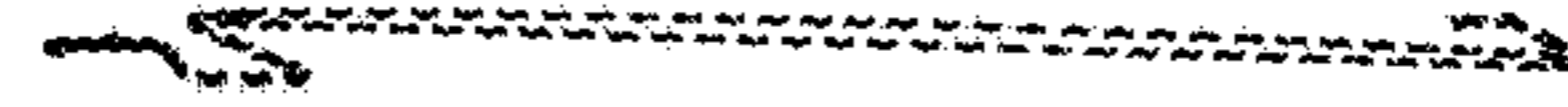


FIG. 8

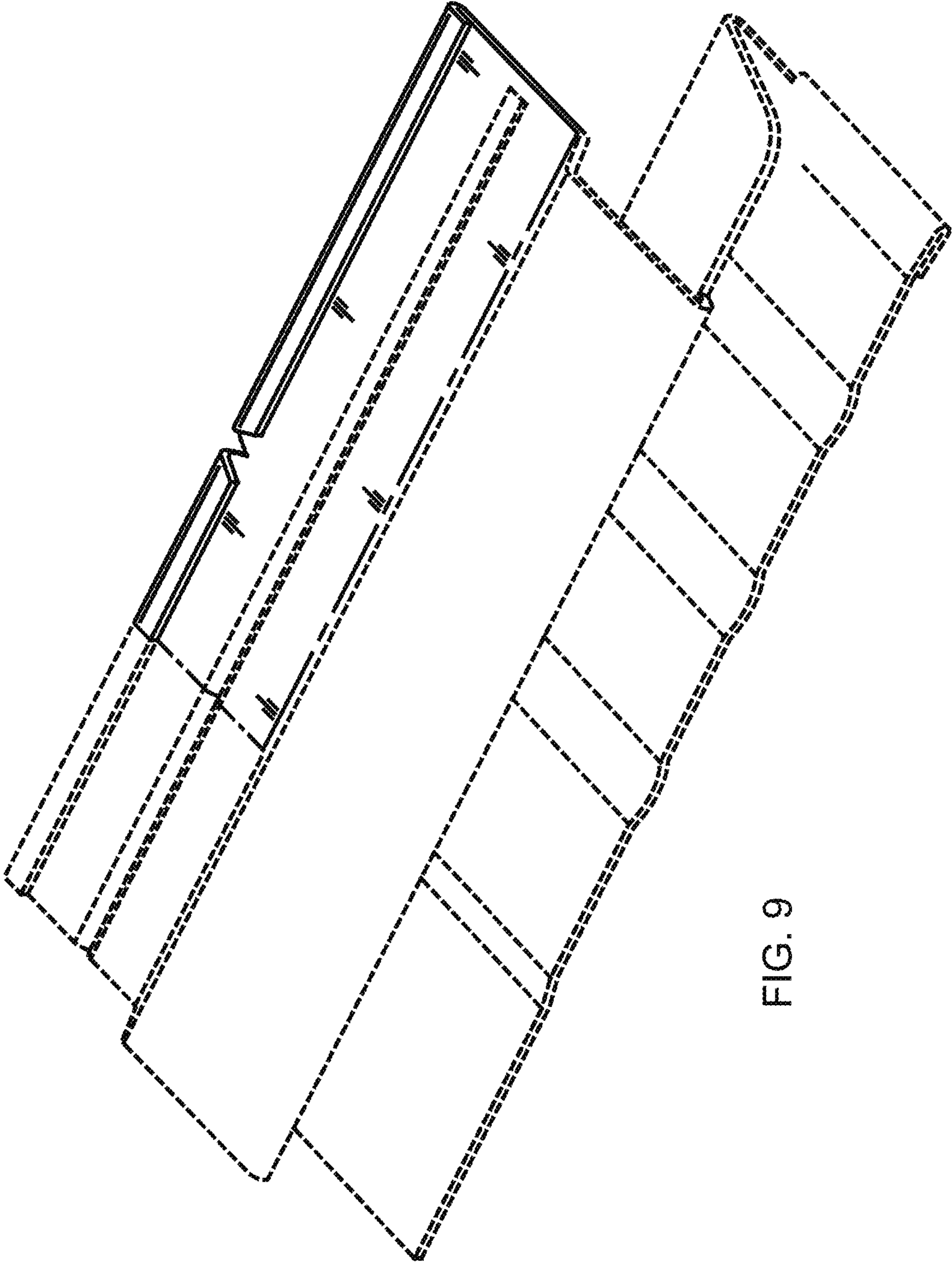


FIG. 9

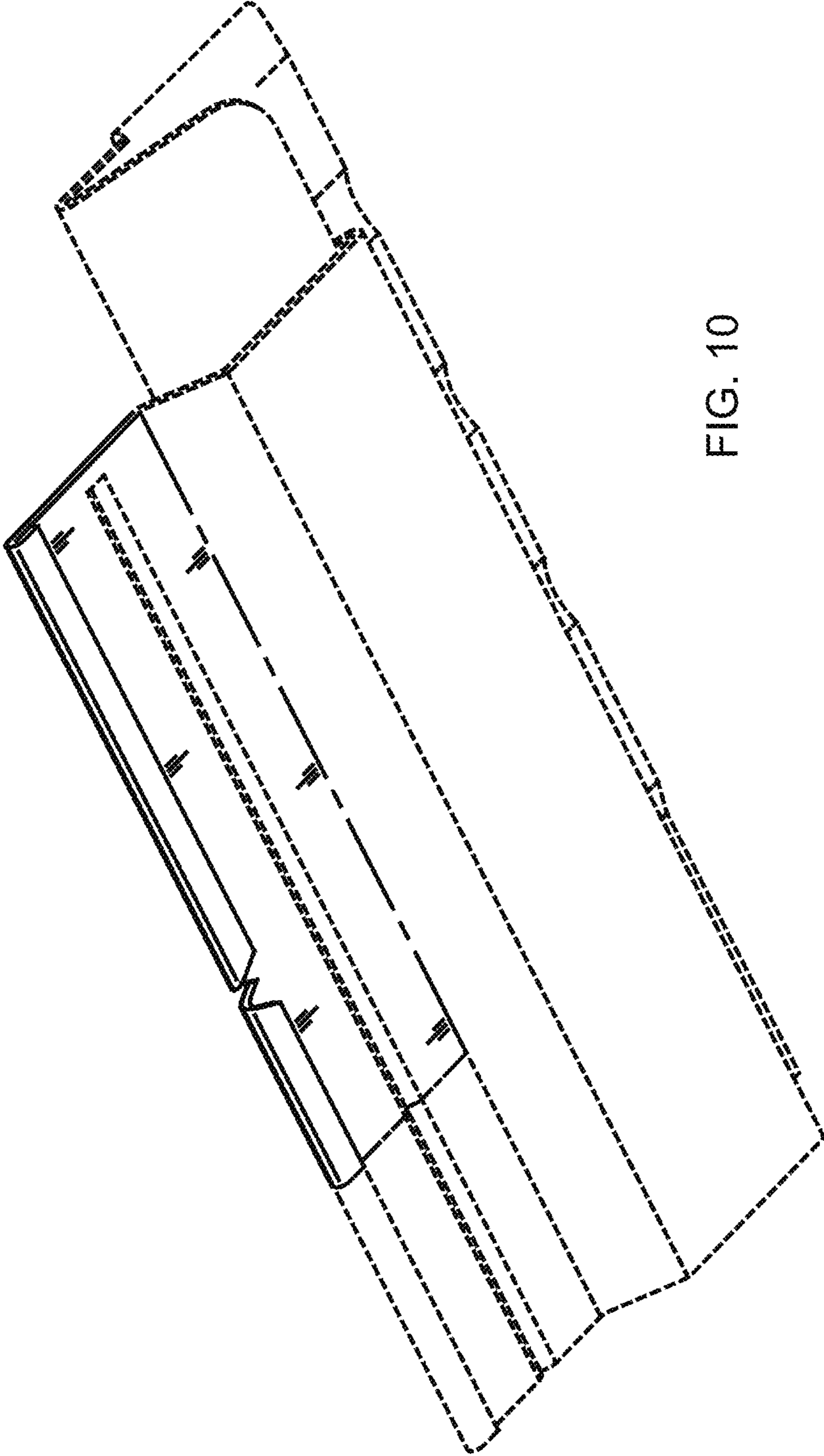


FIG. 10



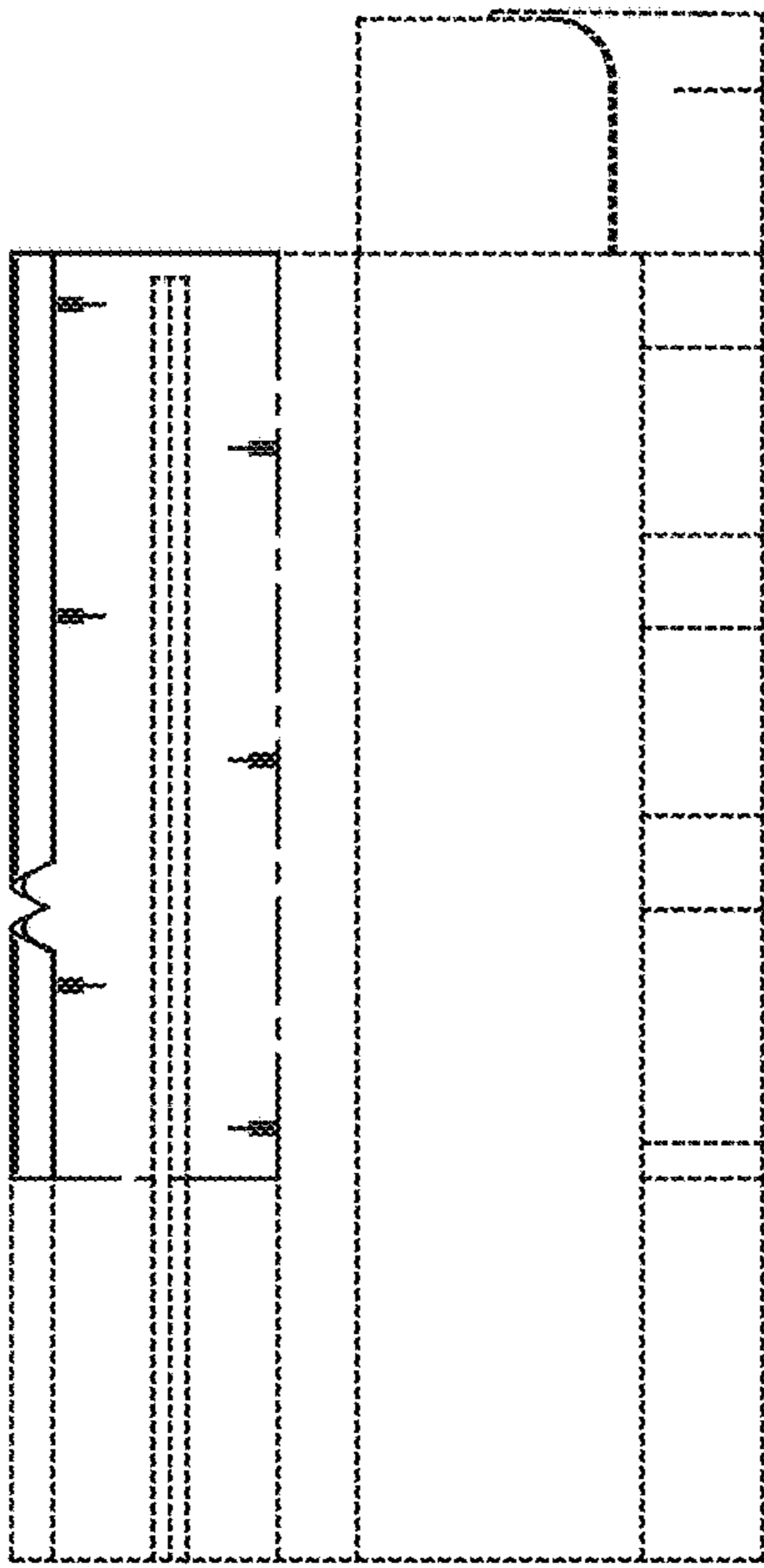


FIG. 11

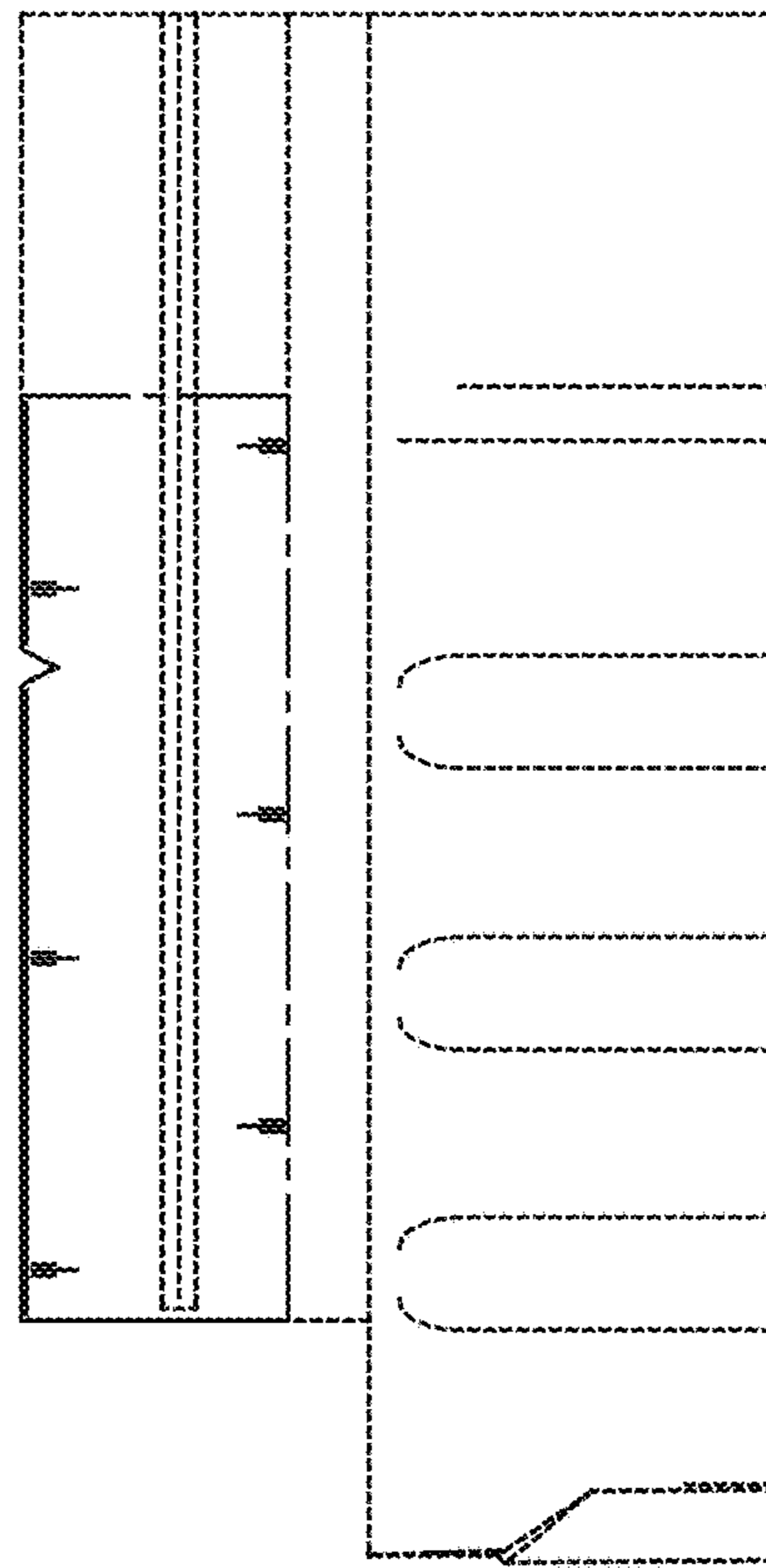


FIG. 12



FIG. 13

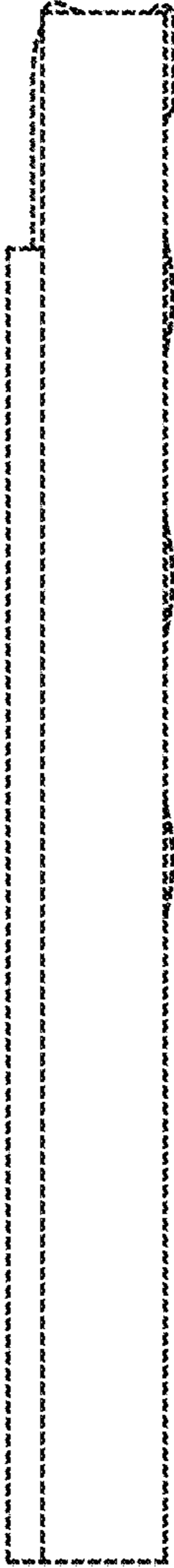


FIG. 14



FIG. 15



FIG. 16