



US00D814660S

(12) **United States Design Patent**
Chapman

(10) **Patent No.:** **US D814,660 S**

(45) **Date of Patent:** **** Apr. 3, 2018**

- (54) **DOOR HINGE PLATE LOCATOR**
- (71) Applicant: **Global Products International Group, LLC, Atlanta, GA (US)**
- (72) Inventor: **Gabriel Paul Chapman, Cumming, GA (US)**
- (73) Assignee: **Global Products International Group, LLC, Atlanta, GA (US)**

- D552,270 S * 10/2007 Vibiano D25/164
- D574,513 S * 8/2008 Vibiano D25/164
- D623,768 S * 9/2010 Antonic D25/121
- D680,662 S * 4/2013 Elizarraras D25/136
- D689,200 S * 9/2013 Elizarraras D25/136
- 8,776,459 B1 * 7/2014 Theophilus E06B 1/02
52/204.7
- D734,498 S * 7/2015 Batres D25/136
- D734,499 S * 7/2015 Batres D25/136
- 2001/0037622 A1 * 11/2001 Gattas E04C 2/205
52/745.09
- 2013/0283728 A1 * 10/2013 Chang E04C 3/02
52/846

(**) Term: **15 Years**

(Continued)

- (21) Appl. No.: **29/564,766**
- (22) Filed: **May 16, 2016**
- (51) **LOC (11) Cl.** **25-02**
- (52) **U.S. Cl.**
USPC **D25/60**
- (58) **Field of Classification Search**
USPC D25/35, 38.1, 41.1, 43, 44, 47.1, 48.1,
D25/48.2, 48.3, 48.4, 48.7, 55, 56, 58, 59,
D25/60, 61, 119-129, 136-139, 164, 199;
D6/300, 325, 572, 702; D8/377, 381,
D8/403
CPC E04H 2004/146; E04H 2004/147; E04B
2001/405; F16B 1/00; A47B 96/068;
A47B 96/07; E04C 3/00; E04C 3/04;
E04C 3/005; E04C 3/02; E04C 3/0473;
E04C 3/30; E04C 3/32; E04C 3/07; E04C
2003/0413; E04C 2003/0465; E04C
2003/043
See application file for complete search history.

(56) **References Cited**

U.S. PATENT DOCUMENTS

- 3,009,549 A * 11/1961 Miller E04C 3/06
D25/121
- D344,596 S * 2/1994 McArthur D25/121
- D352,790 S * 11/1994 Gullblom D25/121
- D366,496 S * 1/1996 Yiu D25/123
- D373,961 S * 9/1996 Nagai D25/121

OTHER PUBLICATIONS

Non-Final Office Action dated May 22, 2017 for U.S. Appl. No. 29/564,764.

Primary Examiner — Cynthia Ramirez
Assistant Examiner — Llorellys Martinez-Rivera
(74) *Attorney, Agent, or Firm* — Thomas | Horstemeyer, LLP

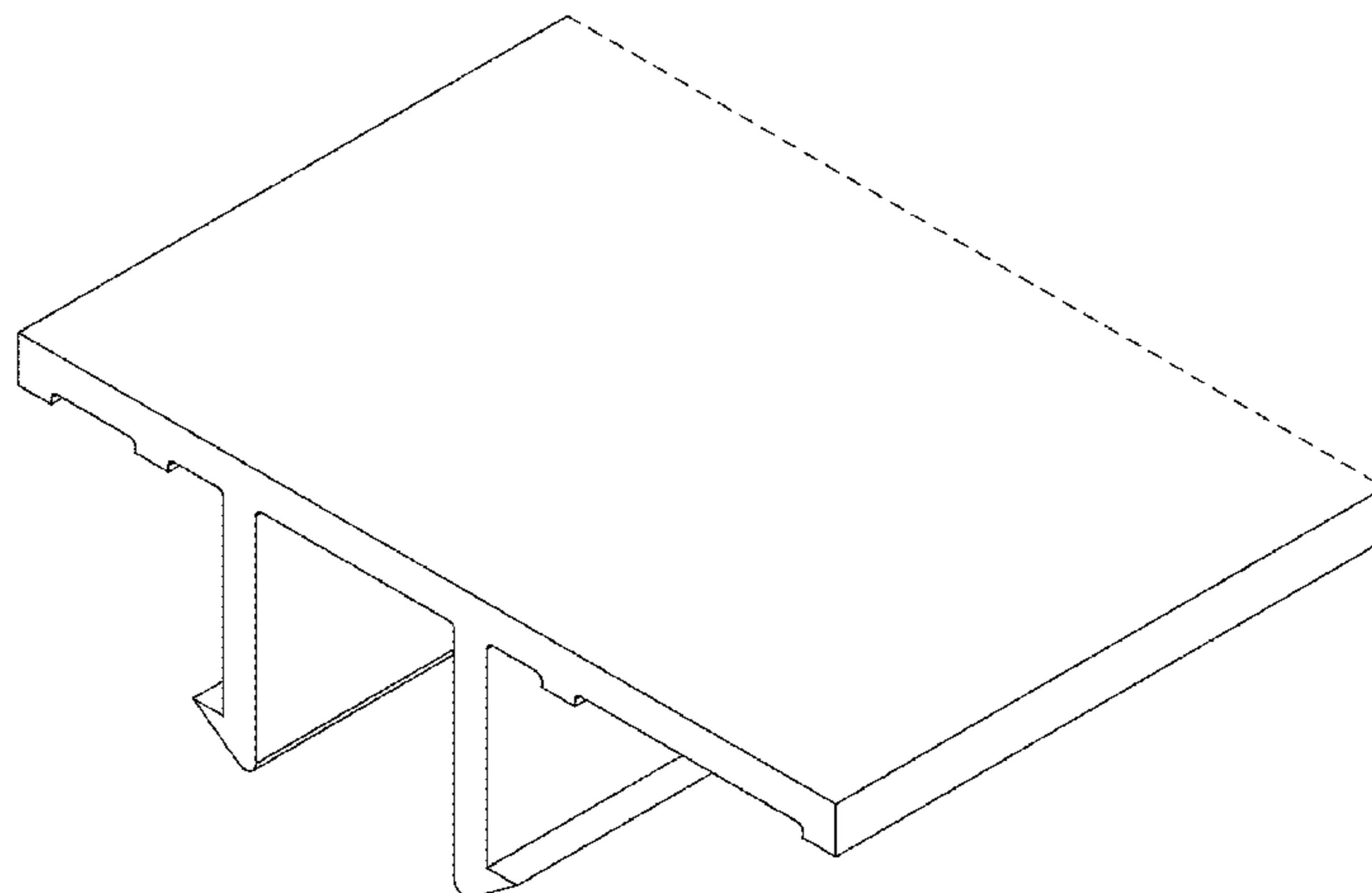
(57) **CLAIM**

I claim the ornamental design for a door hinge plate locator, as shown and described.

DESCRIPTION

FIG. 1 is a top, front perspective view of a door hinge plate locator showing my new design;
FIG. 2 is a bottom, front perspective view thereof;
FIG. 3 is a top plan view thereof;
FIG. 4 is a bottom plan view thereof;
FIG. 5 is a side elevation view thereof;
FIG. 6 is an opposite side elevation view thereof;
FIG. 7 is a front elevation view thereof; and,
FIG. 8 is a rear elevation view thereof.
The broken lines in the drawings represent portions of the door hinge plate locator that form no part of the claimed design.

1 Claim, 5 Drawing Sheets



(56)

References Cited

U.S. PATENT DOCUMENTS

2016/0024805 A1 1/2016 Graziano

* cited by examiner

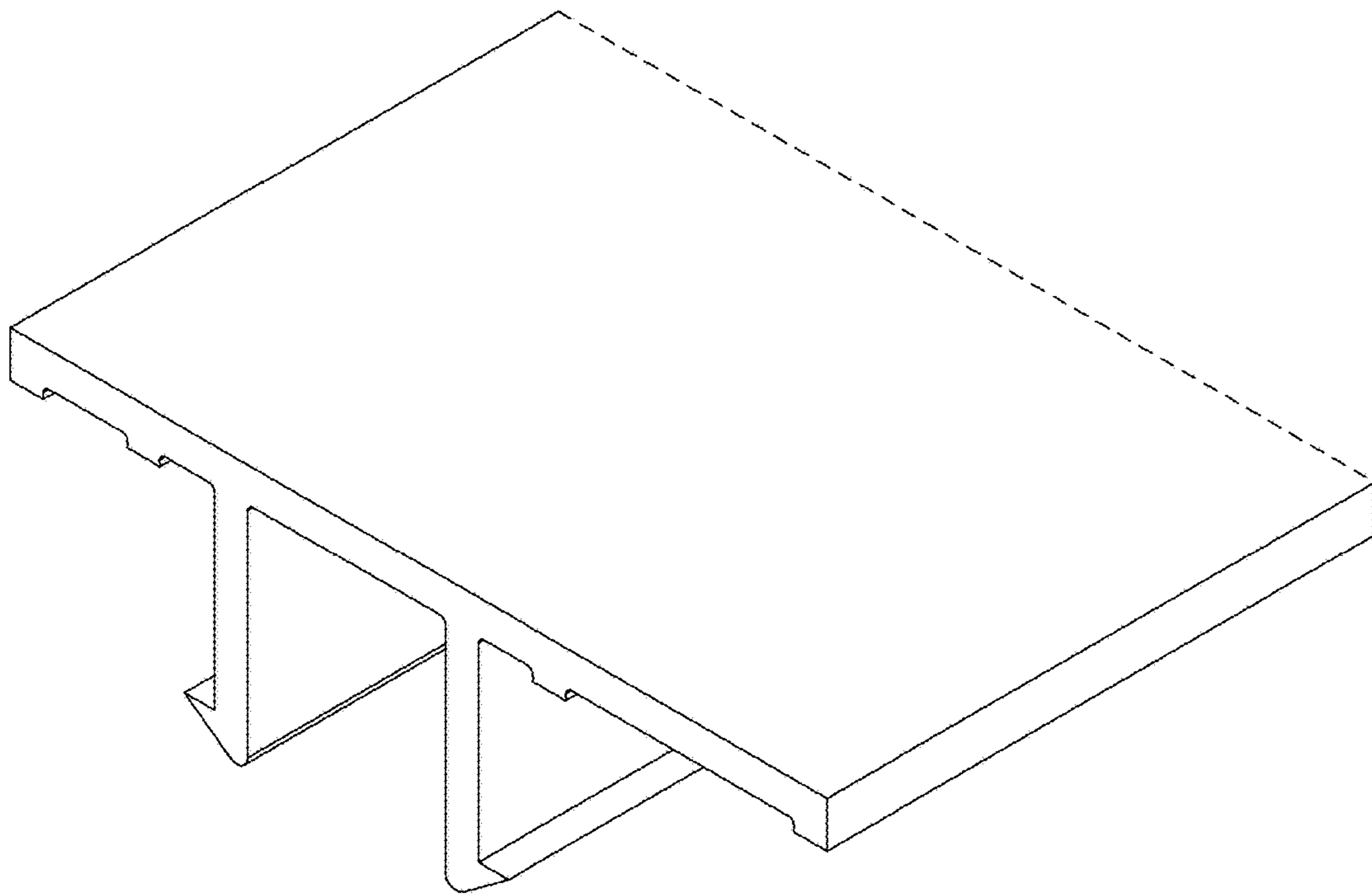


FIG. 1

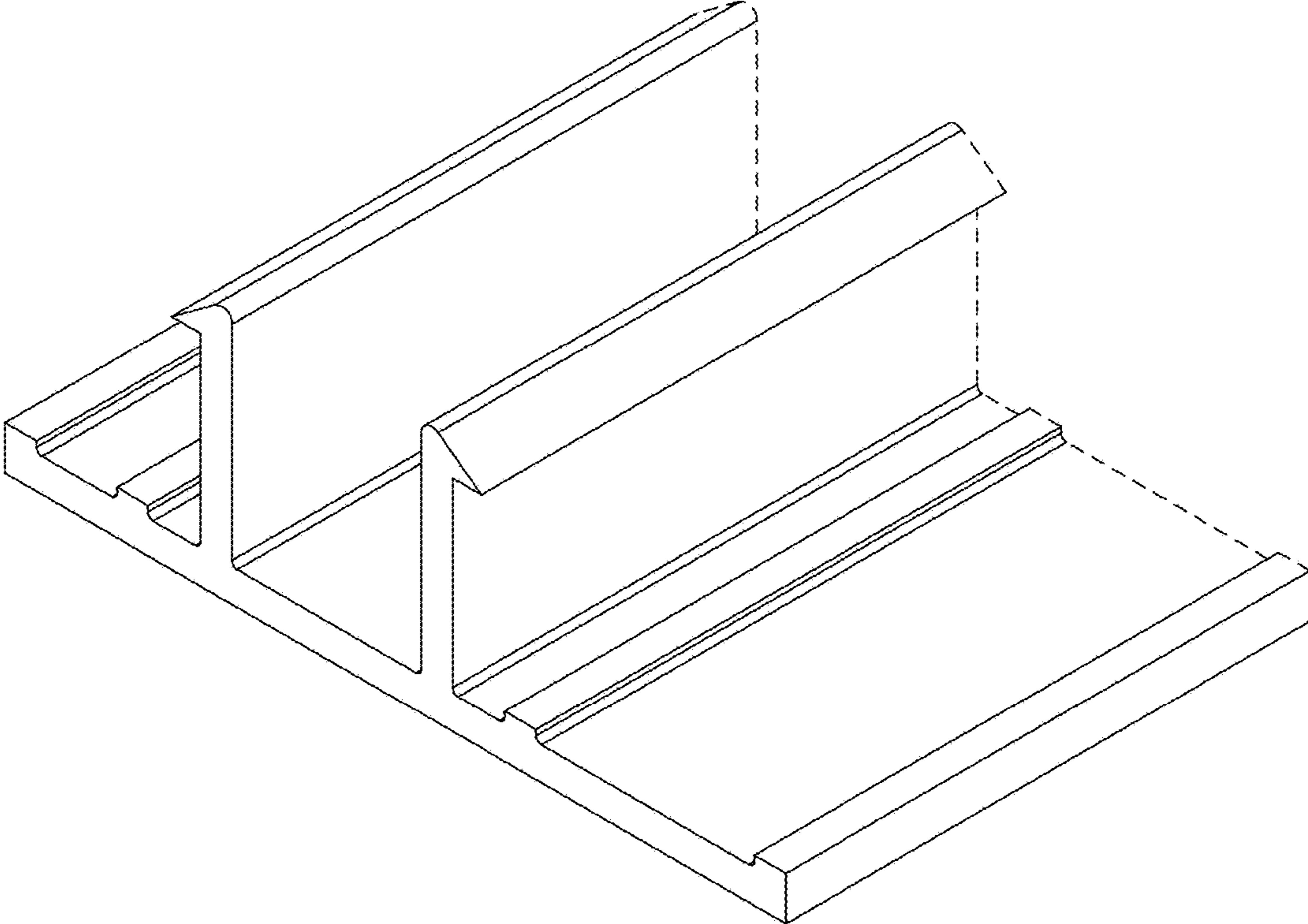


FIG. 2



FIG. 3

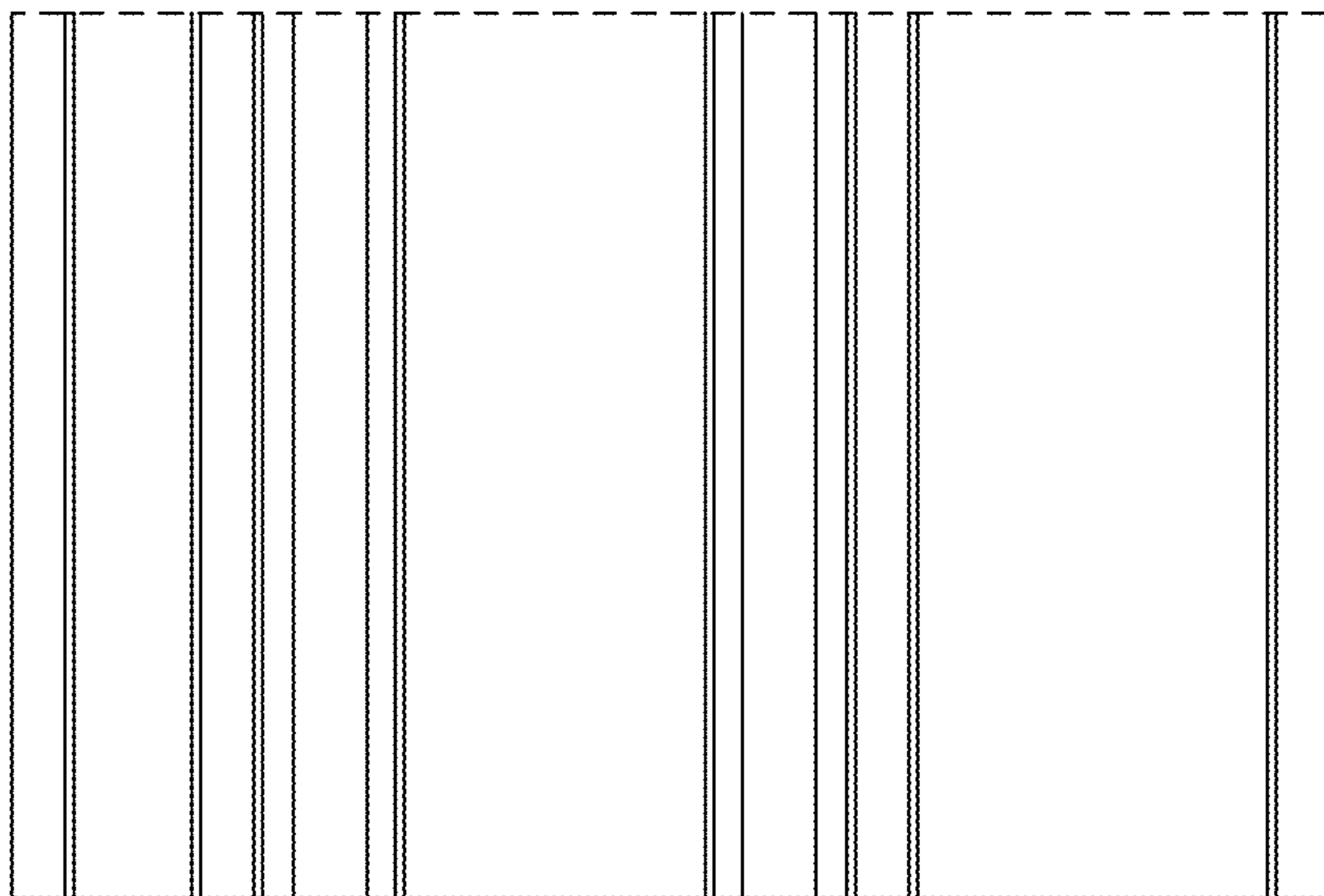


FIG. 4

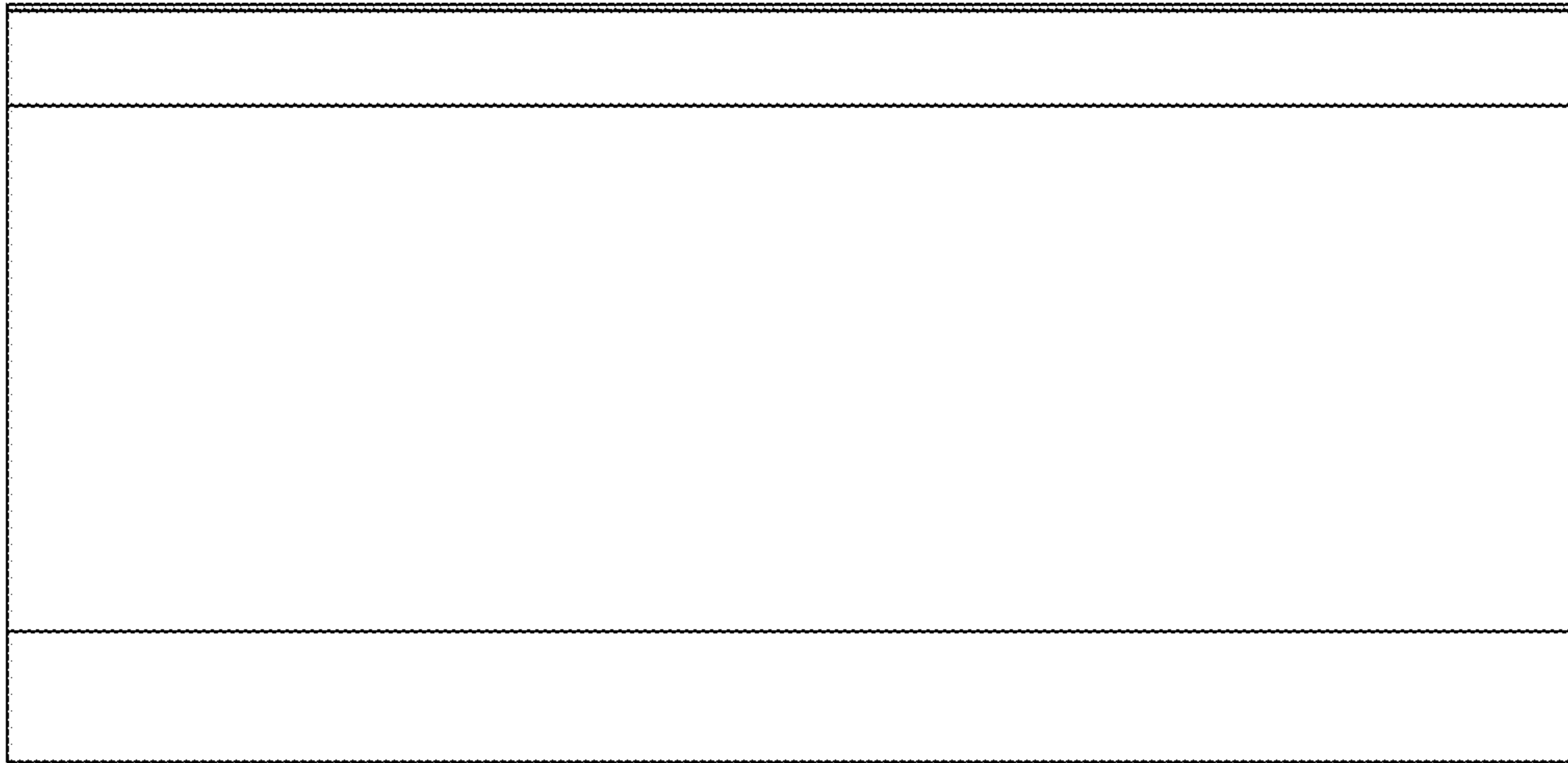


FIG. 5

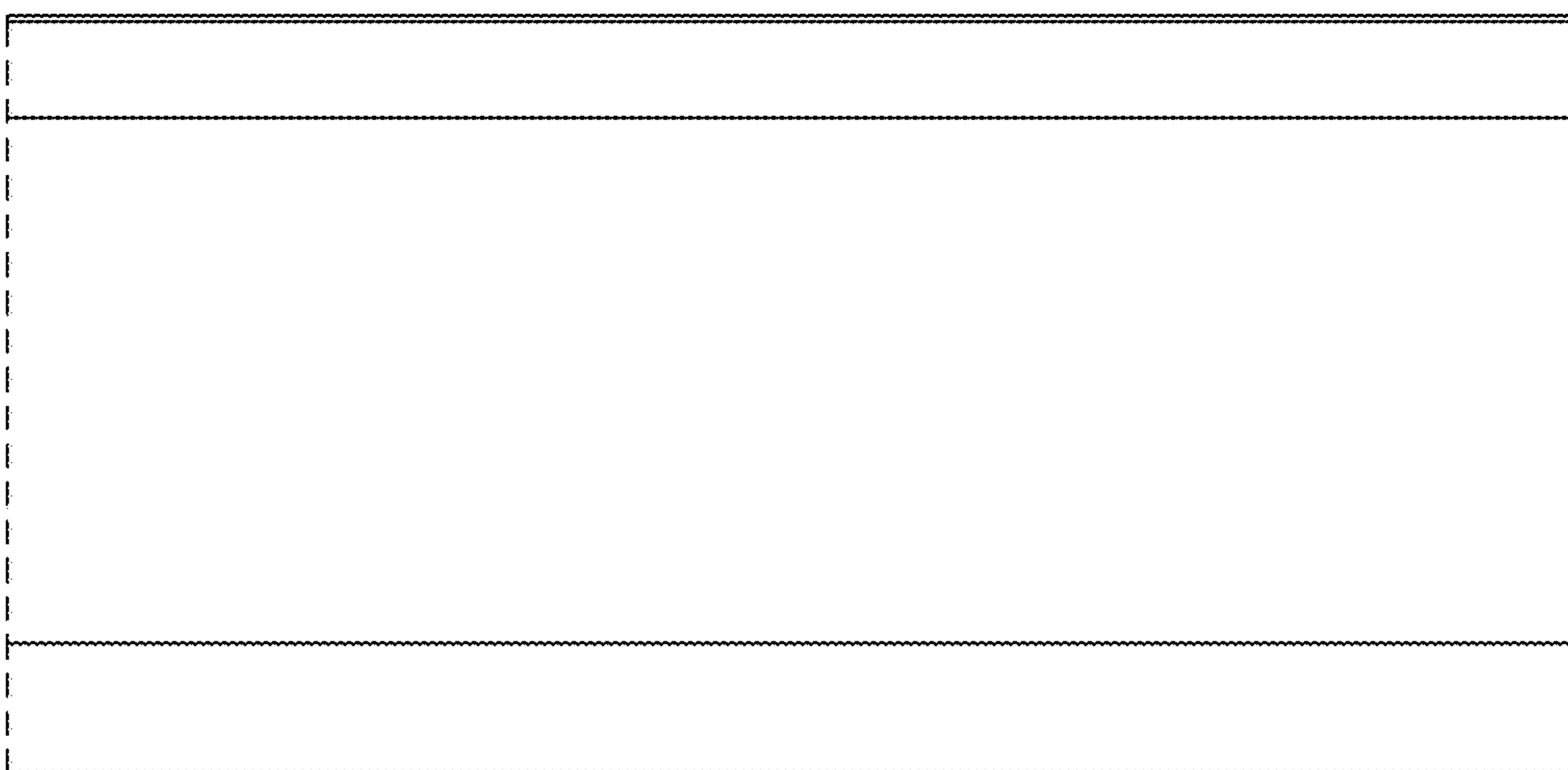


FIG. 6

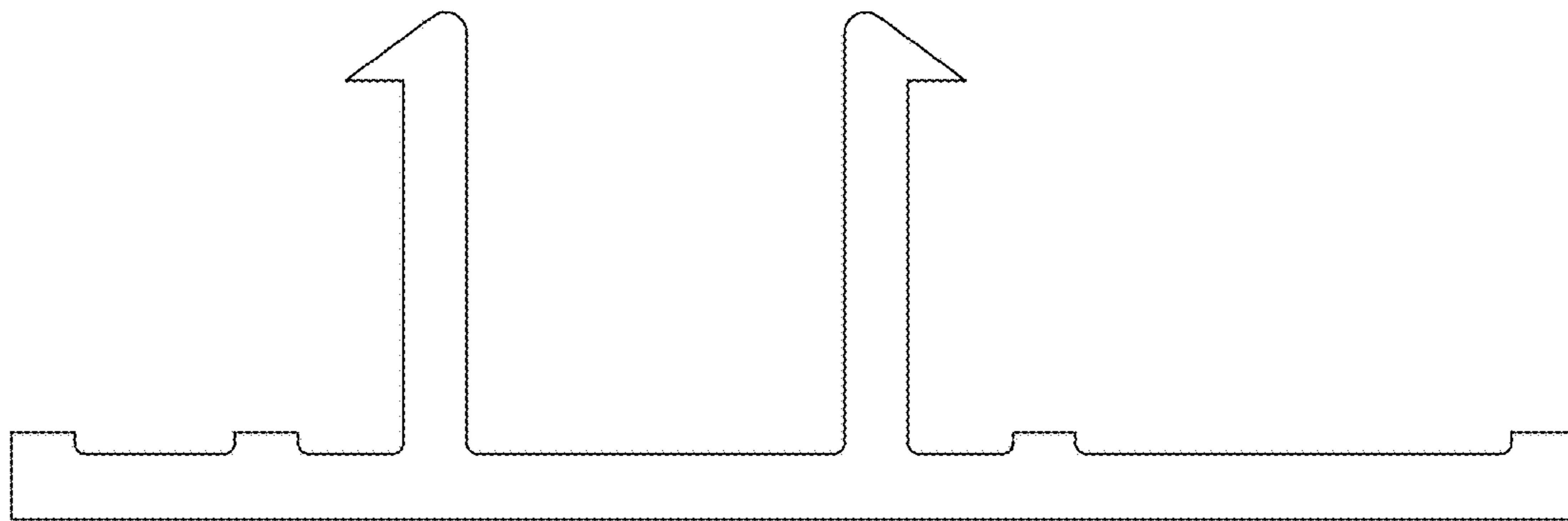


FIG. 7

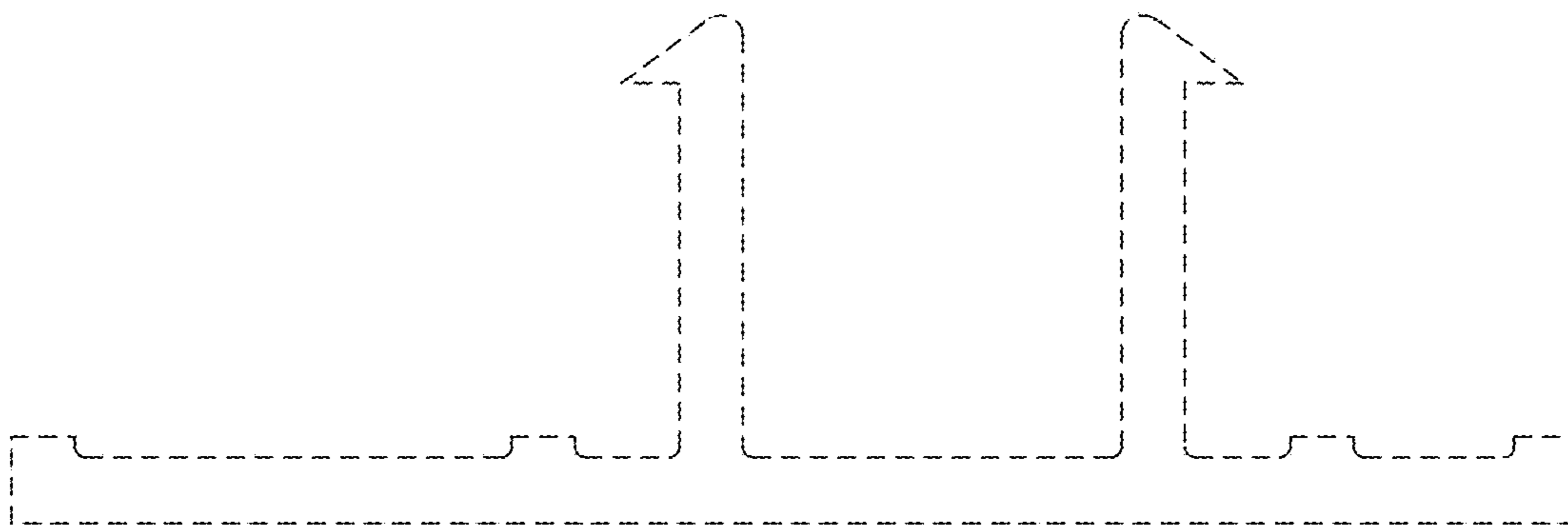


FIG. 8