



US00D814659S

(12) **United States Design Patent**
Suematsu

(10) **Patent No.:** **US D814,659 S**

(45) **Date of Patent:** **** Apr. 3, 2018**

(54) **DOOR SWEEP**

(71) Applicant: **BURRTEC CO., LTD.**, Osaka-shi,
Osaka (JP)

(72) Inventor: **Kimihiko Suematsu**, Osaka (JP)

(73) Assignee: **BURRTEC CO., LTD.**, Osaka (JP)

(**) Term: **15 Years**

(21) Appl. No.: **29/581,131**

(22) Filed: **Oct. 17, 2016**

(51) **LOC (11) Cl.** **25-02**

(52) **U.S. Cl.**
USPC **D25/48.2**

(58) **Field of Classification Search**

USPC D25/48.3, 48.4, 119, 136, 164
CPC B32B 3/263; B32B 5/06; B32B 15/04;
B32B 27/065; B32B 27/08; B32B 27/12;
B32B 27/30; B32B 27/32; B32B 27/34;
E06B 7/12; E06B 7/22

See application file for complete search history.

(56) **References Cited**

U.S. PATENT DOCUMENTS

5,287,656	A *	2/1994	Johnson	E06B 7/22 49/489.1
5,438,802	A *	8/1995	Johnson	E06B 7/22 49/475.1
5,807,451	A *	9/1998	Johnson	D04H 11/00 156/169
6,711,858	B1 *	3/2004	Albanese	D04D 5/00 428/93
8,673,424	B2 *	3/2014	Abramson	B32B 3/263 428/192
D749,238	S *	2/2016	Reinthaler	D25/119
2002/0168507	A1 *	11/2002	Hope	B32B 5/02 428/297.4
2006/0068156	A1 *	3/2006	Holiday	D04D 5/00 428/93
2007/0098951	A1 *	5/2007	Wylie	E06B 7/22 428/95
2008/0148640	A1 *	6/2008	Marron	A46B 3/04 49/355
2009/0078377	A1 *	3/2009	Ohara	E06B 9/582 160/127

FOREIGN PATENT DOCUMENTS

EM	002456111-0001	*	5/2014
JP	2004156239		6/2004
JP	2011122379		6/2011
JP	2014128689		7/2014
WO	2007/125611		8/2007

OTHER PUBLICATIONS

<https://www.youtube.com/watch?v=Aa3fTwFqumo> Posted May 11, 2017.*

http://en.burrtec.jp/wp-content/uploads/2016/09/burrat_cat.pdf
Uploaded Sep. 2016.*

* cited by examiner

Primary Examiner — Susan Bennett Hattan

Assistant Examiner — Leanne Was-Englehart

(74) *Attorney, Agent, or Firm* — Browdy and Neimark,
P.L.L.C.

(57) **CLAIM**

The ornamental design for a door sweep, as shown and described.

DESCRIPTION

FIG. 1 is a perspective view of a door sweep according to the present design;

FIG. 2 is a front view thereof;

FIG. 3 is a rear view thereof;

FIG. 4 is a right side view thereof;

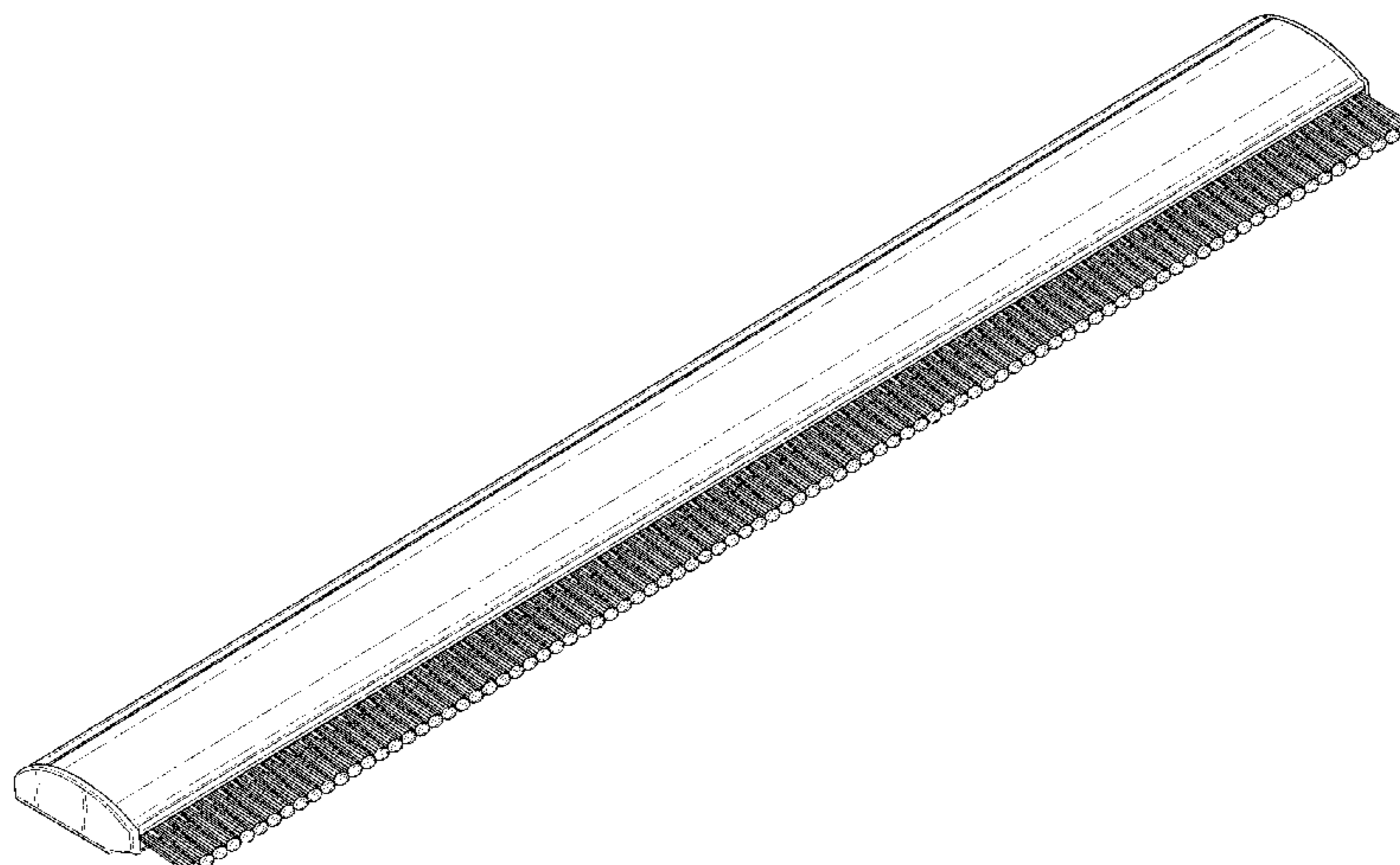
FIG. 5 is a left side view thereof;

FIG. 6 is a top view thereof; and,

FIG. 7 is a bottom view thereof.

The broken lines in the figures depict portions of the door sweep that form no part of the claimed design.

1 Claim, 4 Drawing Sheets



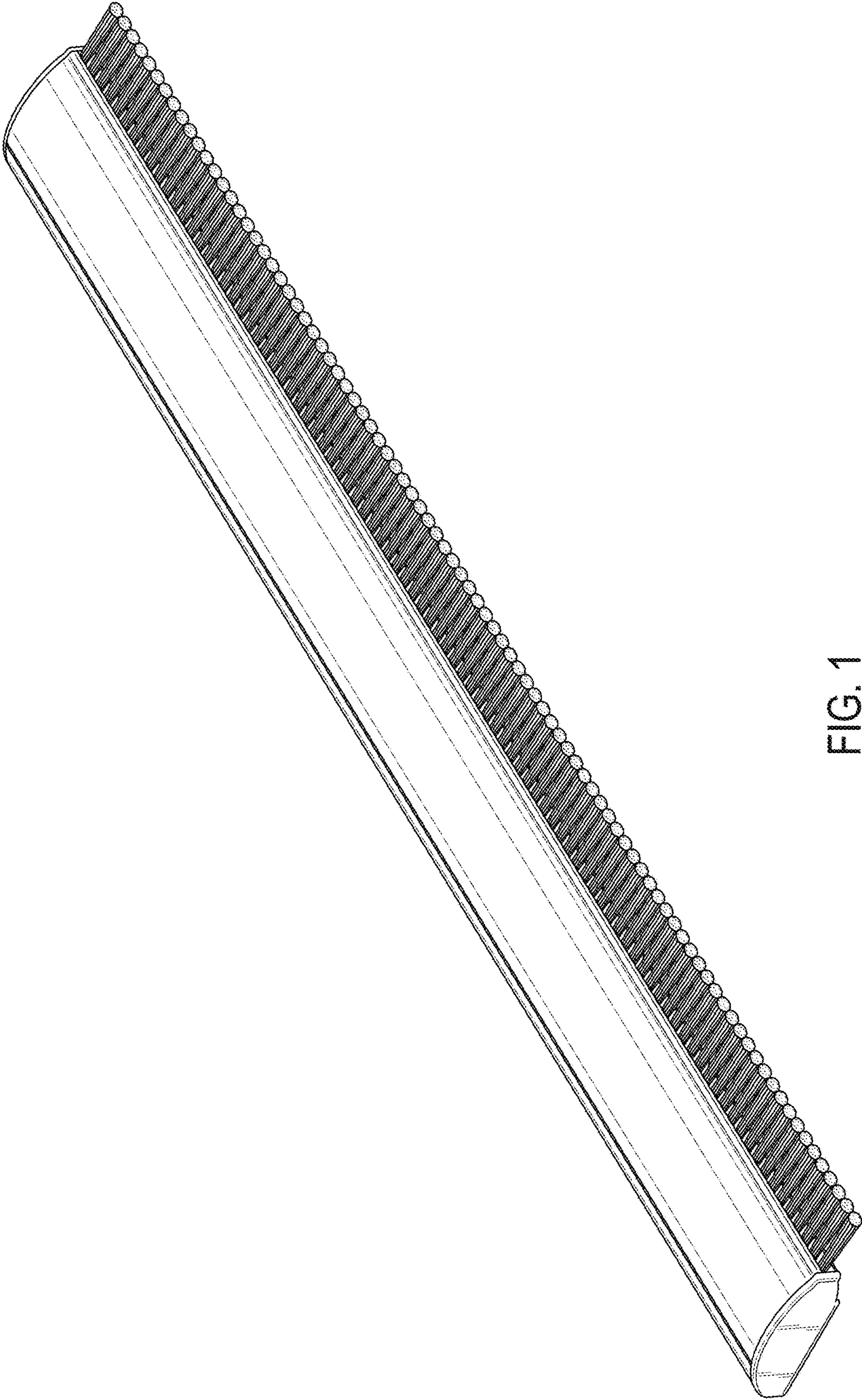


FIG. 1

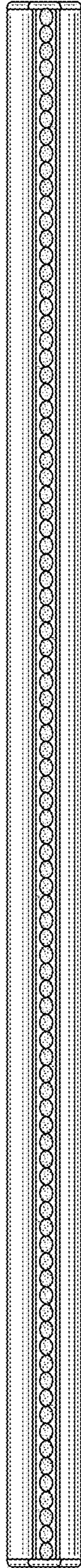


FIG. 2

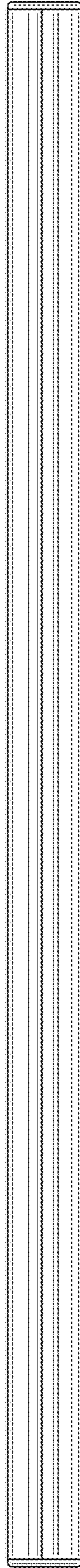


FIG. 3

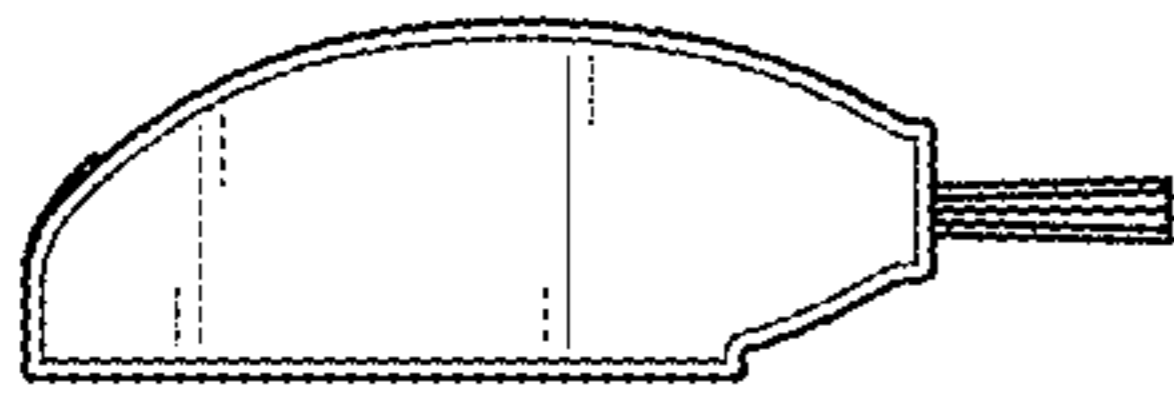


FIG. 4

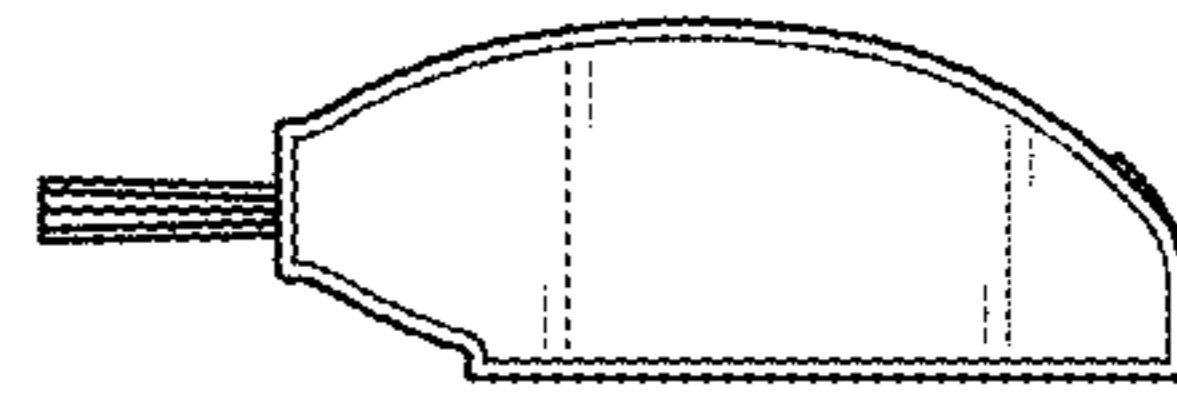


FIG. 5

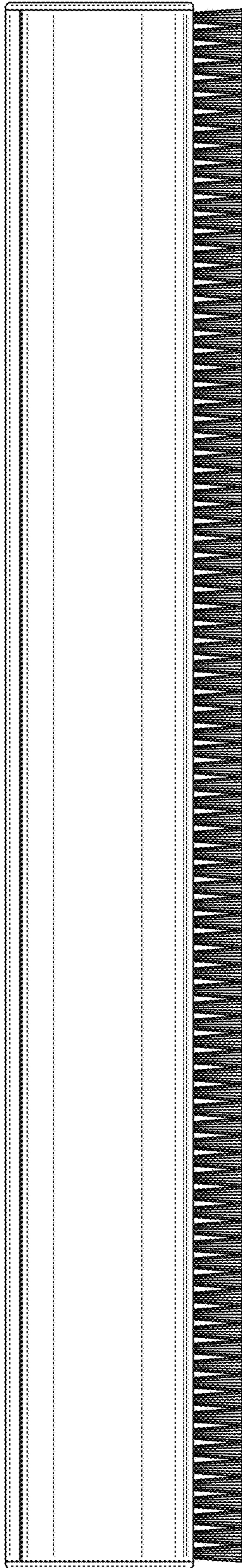


FIG. 6

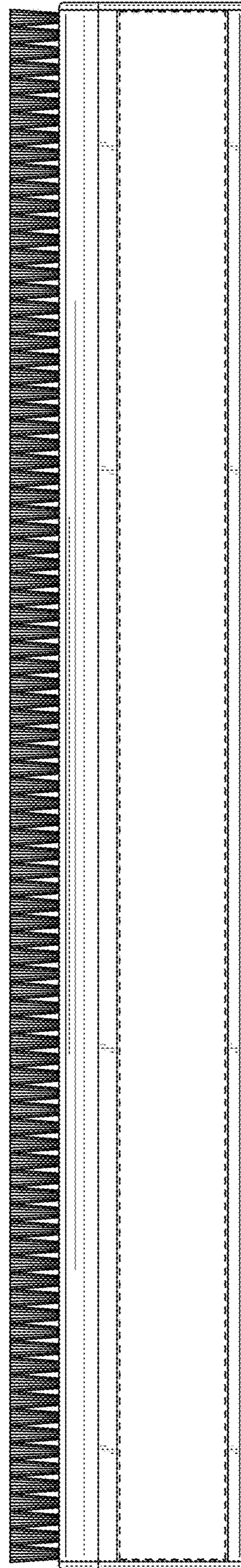


FIG. 7