



US00D814658S

(12) **United States Design Patent** (10) **Patent No.:** **US D814,658 S**
Gill et al. (45) **Date of Patent:** **** Apr. 3, 2018**

(54) MODULAR BUILDING	4,435,926 A *	3/1984	Struben	E04B 7/02 D25/18
(71) Applicants: Peter E. Gill , Tamuning, GU (US); Peter E. Gill, III , Tamuning, GU (US)	5,706,614 A	1/1998	Wiley, Jr. et al.	
	D390,970 S *	2/1998	Abrams	D25/1
	7,086,209 B1 *	8/2006	Pruitt	E04B 1/04 52/125.1
(72) Inventors: Peter E. Gill , Tamuning, GU (US); Peter E. Gill, III , Tamuning, GU (US)	8,001,730 B2	8/2011	Wallace	
	D683,047 S *	5/2013	Gill	D25/22
	D771,835 S *	11/2016	Bottin	D25/33
(73) Assignee: KWIKSPACE GUAM GU (US)	2002/0174606 A1 *	11/2002	Hunt	E04B 1/04 52/79.1
(**) Term: 15 Years	2013/0061553 A1 *	3/2013	Nagy	E04B 1/04 52/741.3

(21) Appl. No.: **29/580,825**

(22) Filed: **Oct. 13, 2016**

(51) **LOC (11) Cl.** **25-03**

(52) **U.S. Cl.**
USPC **D25/33; D25/1**

(58) **Field of Classification Search**
USPC D25/1, 4, 16, 18, 22, 23, 30, 32, 33, 34;
D34/28
CPC ... E04H 1/005; E04H 1/04; E04H 2001/1283;
E04H 5/02; E04H 15/18; E04H 15/20;
E04C 3/34; E04C 3/32; E04C 3/36; E04C
3/30; E04B 1/04; E04B 1/18; E04B 1/20;
E04B 1/3431; E04B 1/34331
See application file for complete search history.

(56) **References Cited**

U.S. PATENT DOCUMENTS

3,104,427 A *	9/1963	Bearde	E04B 1/02 D25/22
3,462,897 A *	8/1969	Weinrott	E04B 1/10 D25/22
3,507,079 A *	4/1970	George	E04D 13/15 52/314

* cited by examiner

Primary Examiner — Susan Bennett Hattan

Assistant Examiner — Brett Miller

(74) *Attorney, Agent, or Firm* — Donald J. Ersler

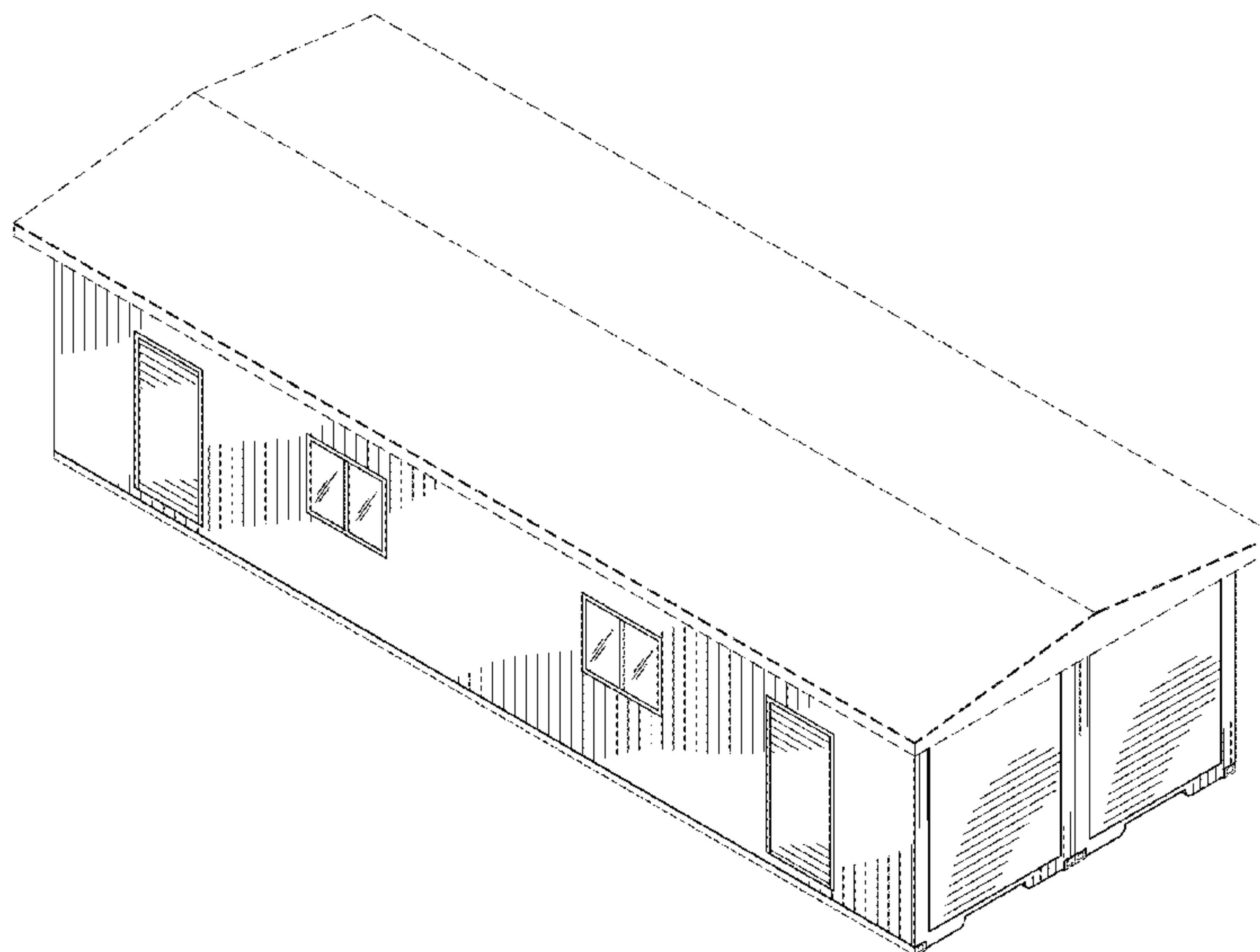
(57) **CLAIM**

The ornamental design for a modular building, as shown and described.

DESCRIPTION

FIG. 1 is a top perspective view of a modular building showing our new design;
FIG. 2 is a rear bottom perspective view thereof;
FIG. 3 is a left side view thereof;
FIG. 4 is a right side view thereof;
FIG. 5 is a front or rear view thereof;
FIG. 6 is a top plan view thereof; and,
FIG. 7 is a bottom plan view thereof.
The broken lines shown in the drawings illustrate portions of the modular building that form no part of the claimed invention.

1 Claim, 6 Drawing Sheets



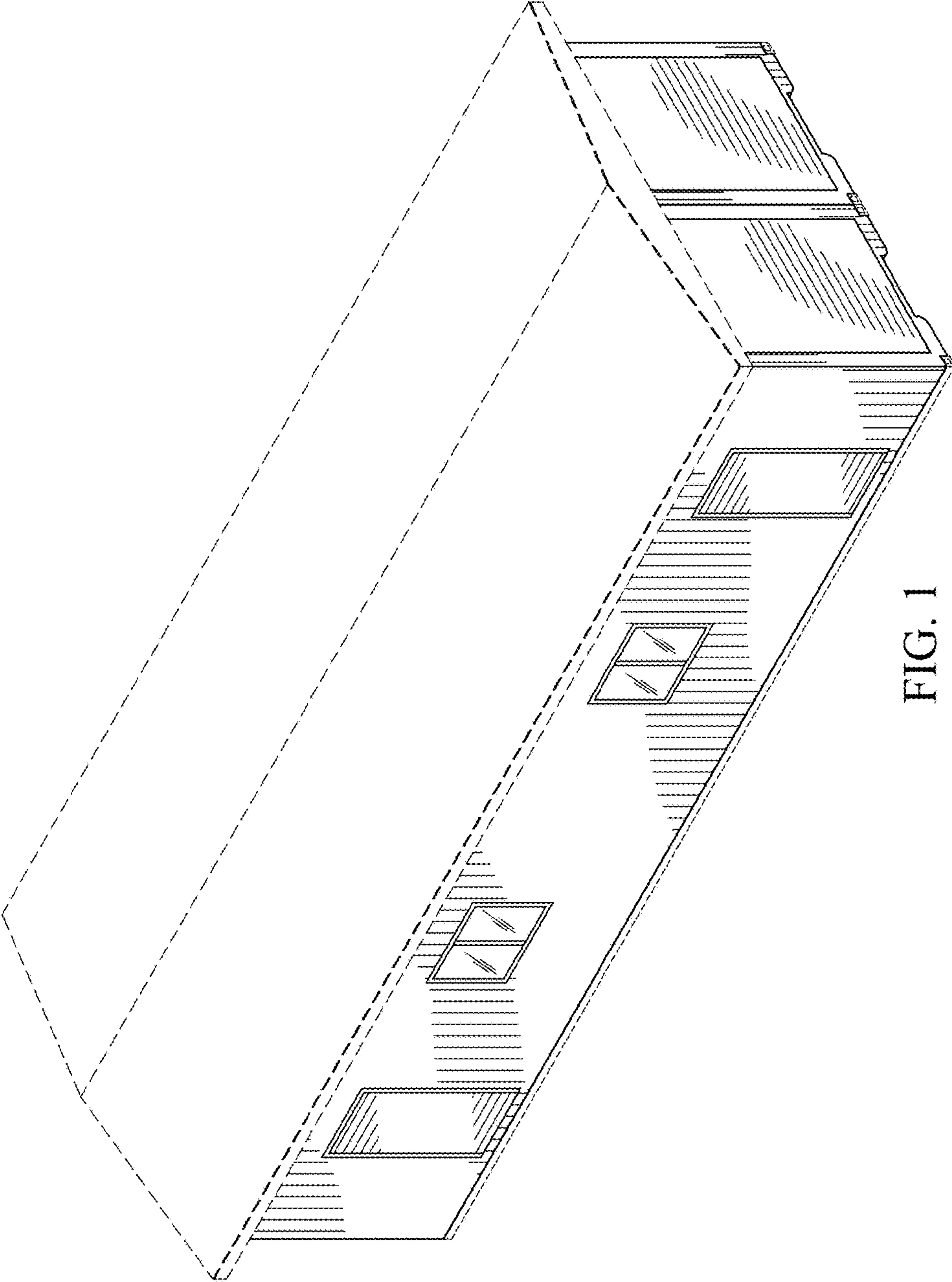


FIG. 1

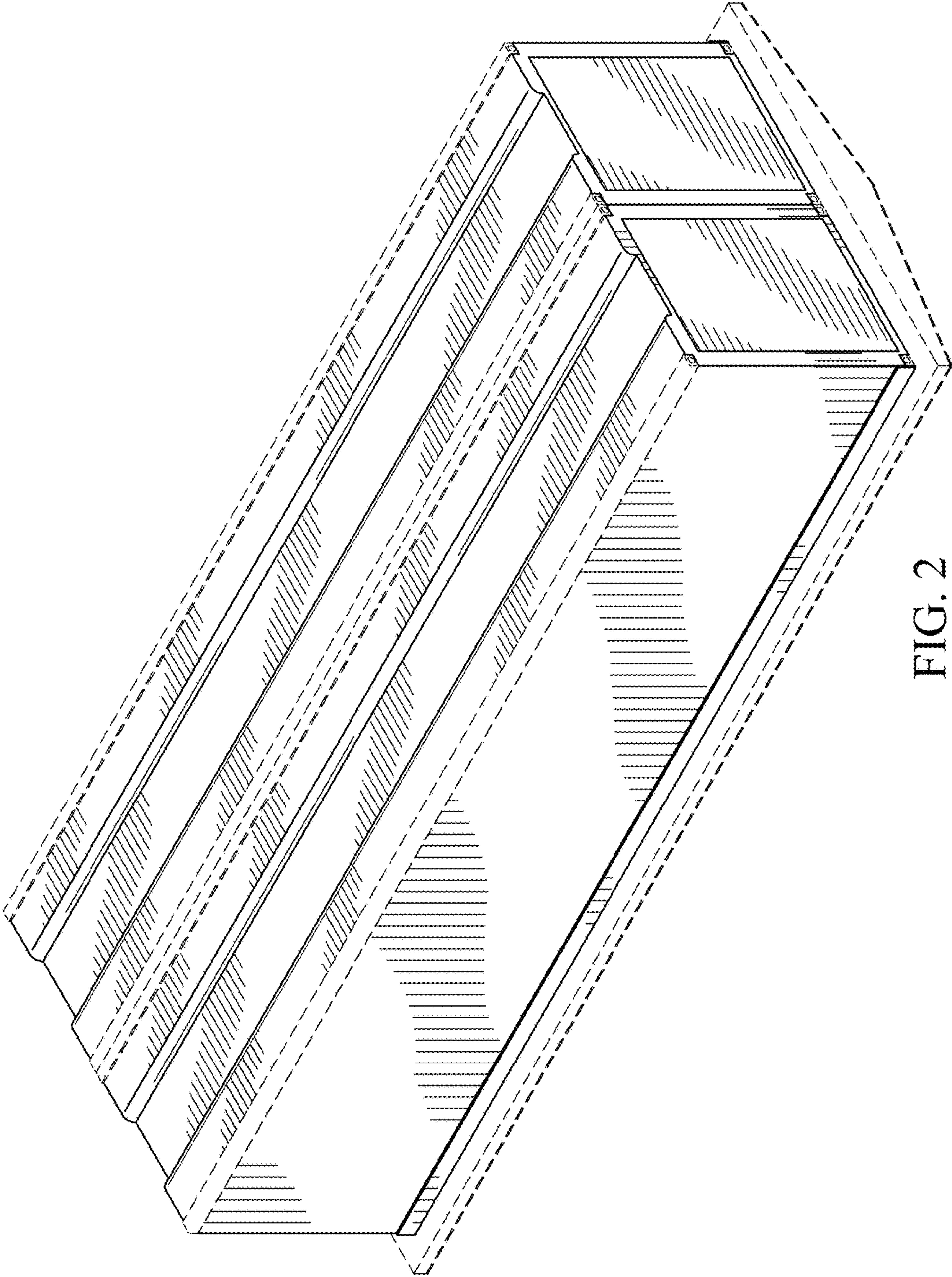


FIG. 2

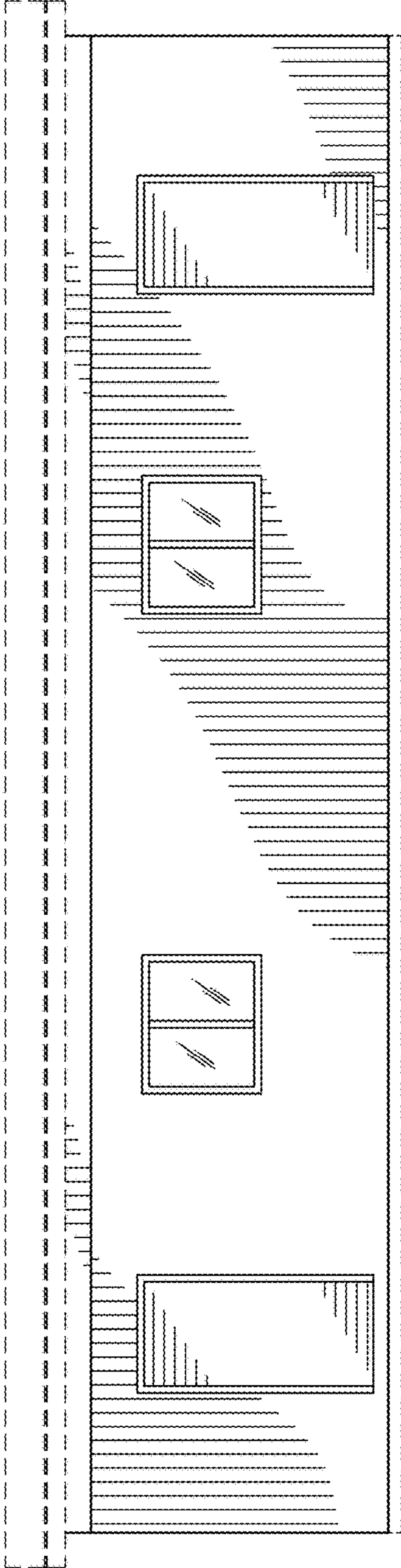


FIG. 3

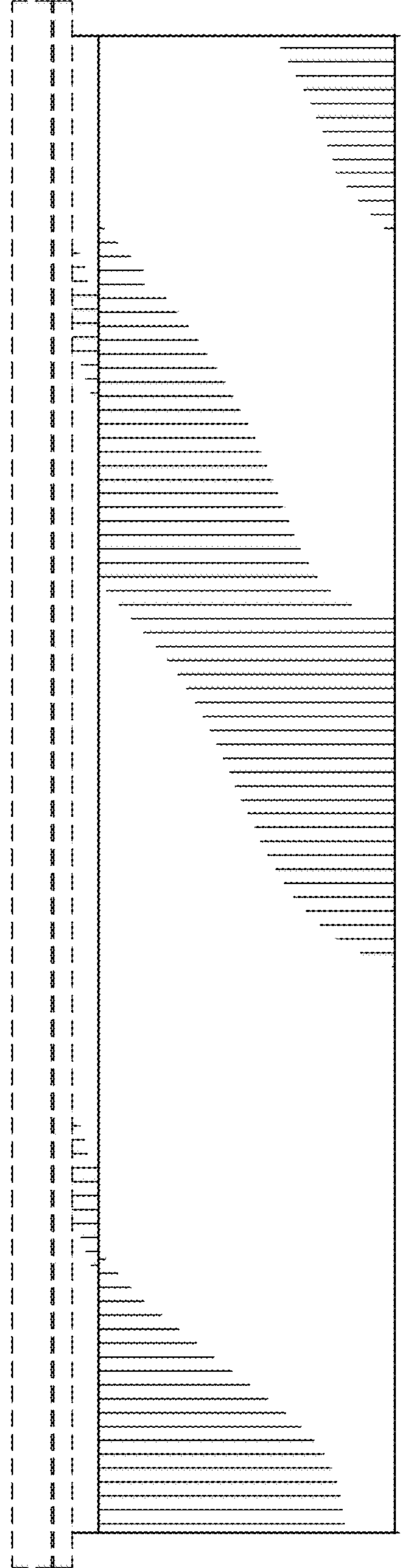


FIG. 4

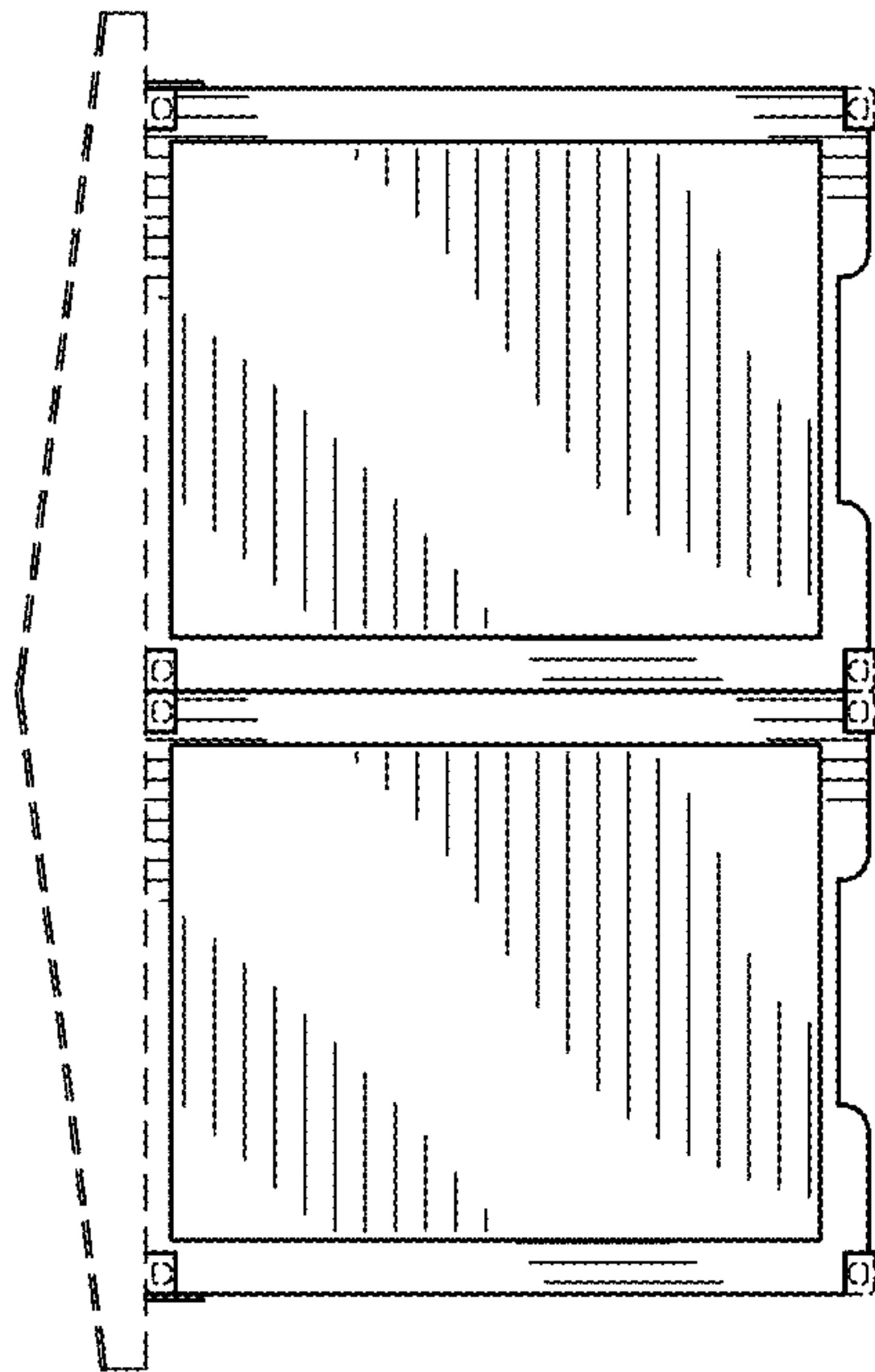


FIG. 5

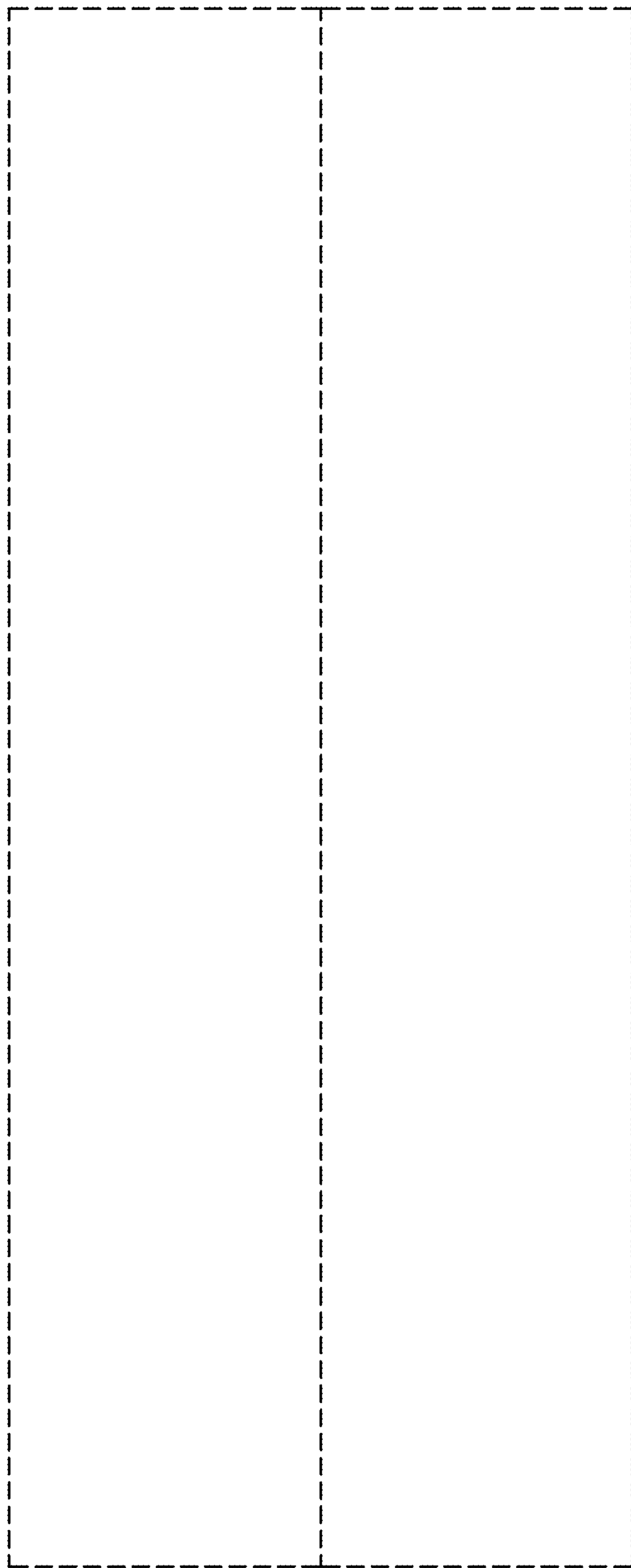


FIG. 6

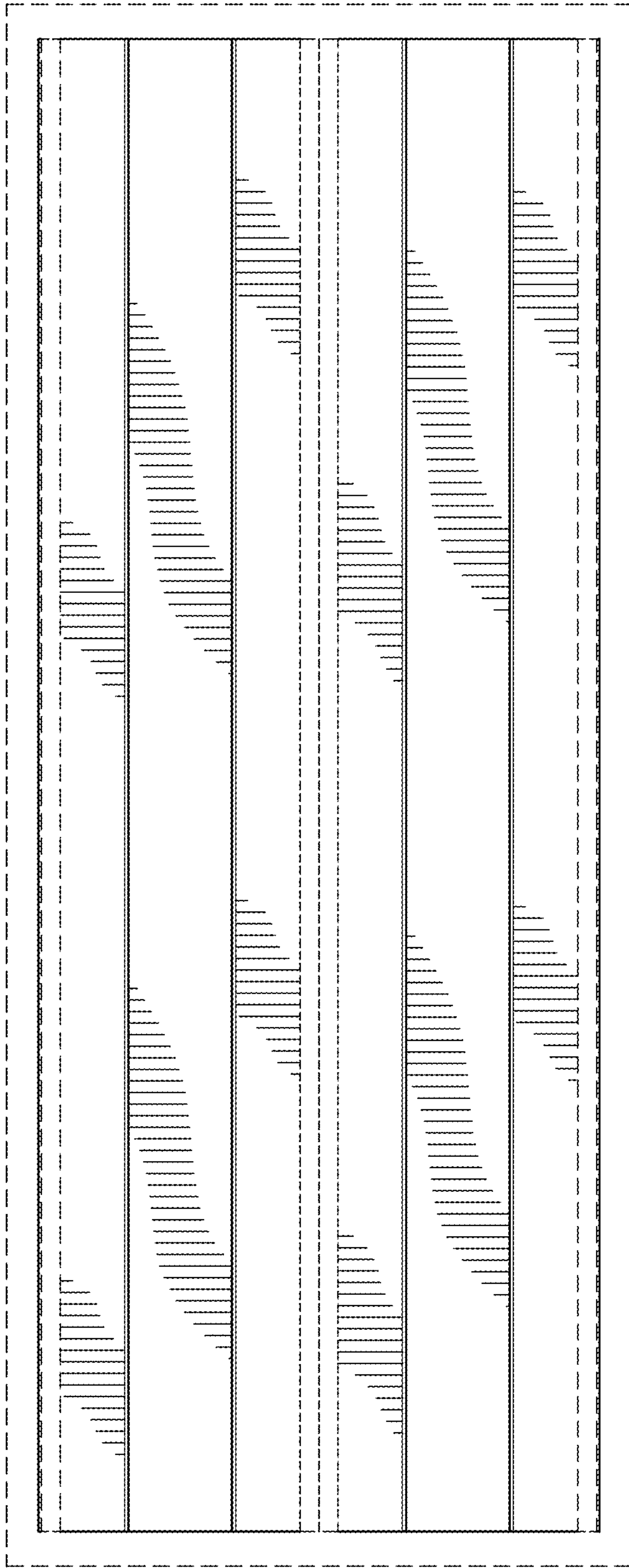


FIG. 7