



US00D814656S

(12) **United States Design Patent** (10) **Patent No.:** **US D814,656 S**
Tay (45) **Date of Patent:** **** Apr. 3, 2018**

(54) **ROOM PARTITION**
(71) Applicant: **The Pod Pte. Ltd.**, Singapore (SG)
(72) Inventor: **Shiaw Shih Tay**, Singapore (SG)
(73) Assignee: **The Pod Pte. Ltd.**, Singapore (SG)
(**) Term: **15 Years**
(21) Appl. No.: **29/561,400**
(22) Filed: **Apr. 15, 2016**
(51) **LOC (11) Cl.** **25-03**
(52) **U.S. Cl.**
USPC **D25/16; D6/383; D25/35**
(58) **Field of Classification Search**
USPC D25/3, 16, 21, 48.4, 58, 60, 61, 68, 127,
D25/134, 35
CPC A47G 5/00; A47B 83/04; E04B 2002/7483
See application file for complete search history.

(56) **References Cited**

U.S. PATENT DOCUMENTS

1,573,330 A * 2/1926 Smith A47G 5/00
223/107
3,835,354 A * 9/1974 Torres-Pena A47B 47/0041
108/187
3,952,342 A * 4/1976 Hart A47B 83/04
5/2.1
D357,110 S * 4/1995 Parr D21/838
5,540,491 A * 7/1996 Wu A47B 83/04
312/237
5,601,348 A * 2/1997 Minkovski A47B 83/04
108/42
D423,825 S * 5/2000 Alcalá D6/643
D461,908 S * 8/2002 Roberts D25/124
D638,551 S * 5/2011 Gann D25/16
D736,950 S * 8/2015 Dar D25/16
D762,876 S * 8/2016 Karashima D25/58

D771,273 S * 11/2016 Geier D25/16
2003/0154673 A1 * 8/2003 MacGregor A47B 83/001
52/239
2005/0231079 A1 * 10/2005 Rockcastle A47B 53/02
312/201
2007/0214567 A1 * 9/2007 Wandel A47B 83/04
5/3
2008/0202701 A1 * 8/2008 Rance E06B 9/24
160/166.1
2011/0145990 A1 * 6/2011 Yoon A47B 83/04
5/3
2013/0014674 A1 * 1/2013 Burkhalter A47B 83/04
108/50.11
2015/0182022 A1 * 7/2015 Lanphear A47B 83/04
108/28

(Continued)

Primary Examiner — Marianne Pandozzi
Assistant Examiner — Suzanne Tisdell
(74) *Attorney, Agent, or Firm* — Porter, Wright, Morris & Arthur, LLP

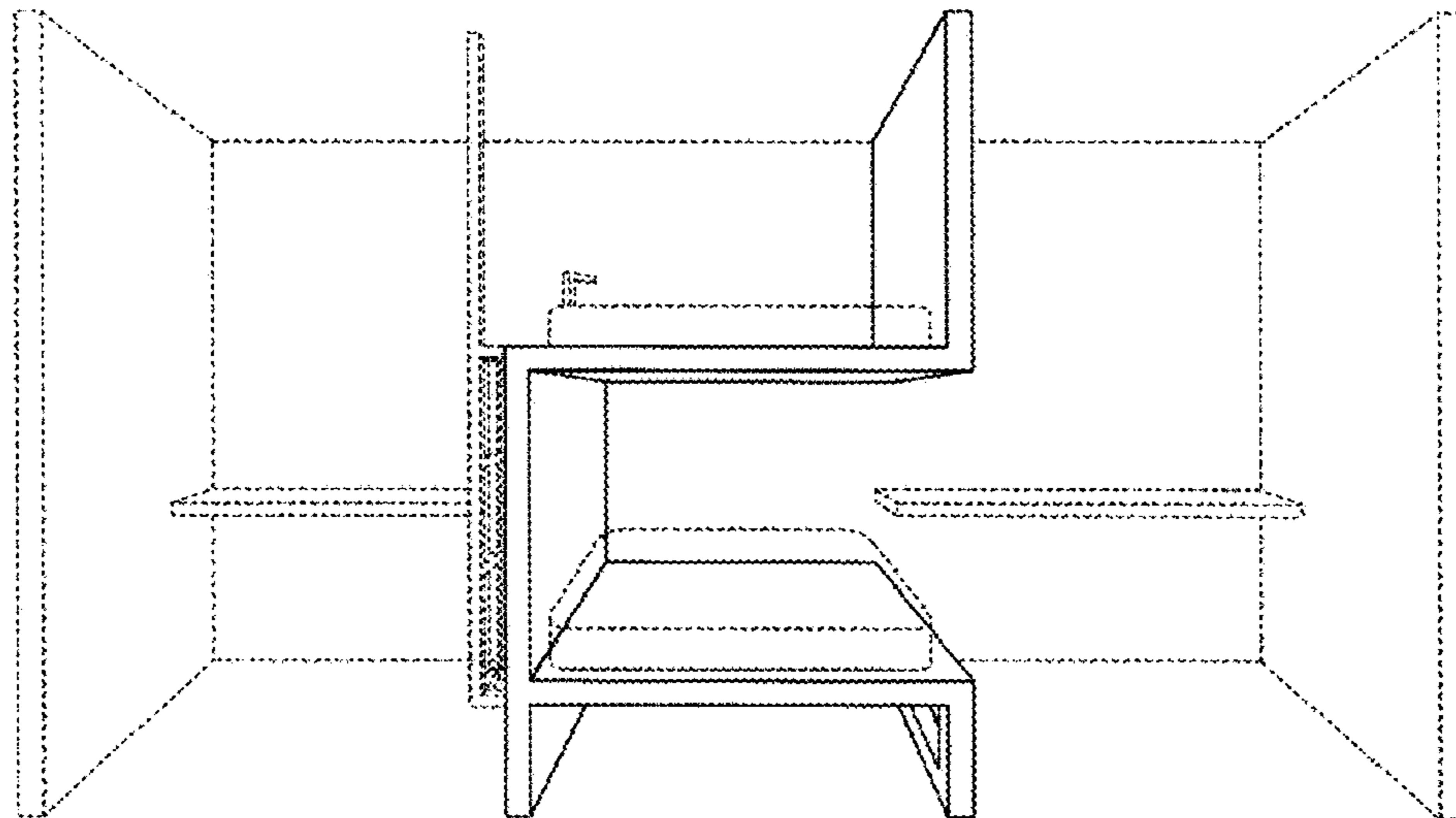
(57) **CLAIM**

The ornamental design for a room partition, as shown and described.

DESCRIPTION

FIG. 1 is a perspective view of a room partition according to my new design;
FIG. 2 is an isometric right front view thereof;
FIG. 3 is an isometric left front view thereof;
FIG. 4 is a front view thereof;
FIG. 5 is a rear view thereof;
FIG. 6 is a left side view thereof;
FIG. 7 is a right side view thereof;
FIG. 8 is a top view thereof; and,
FIG. 9 is a bottom view thereof.
The broken lines in the drawing depict environmental subject matter only and form no part of the claimed design.

1 Claim, 8 Drawing Sheets



(56)

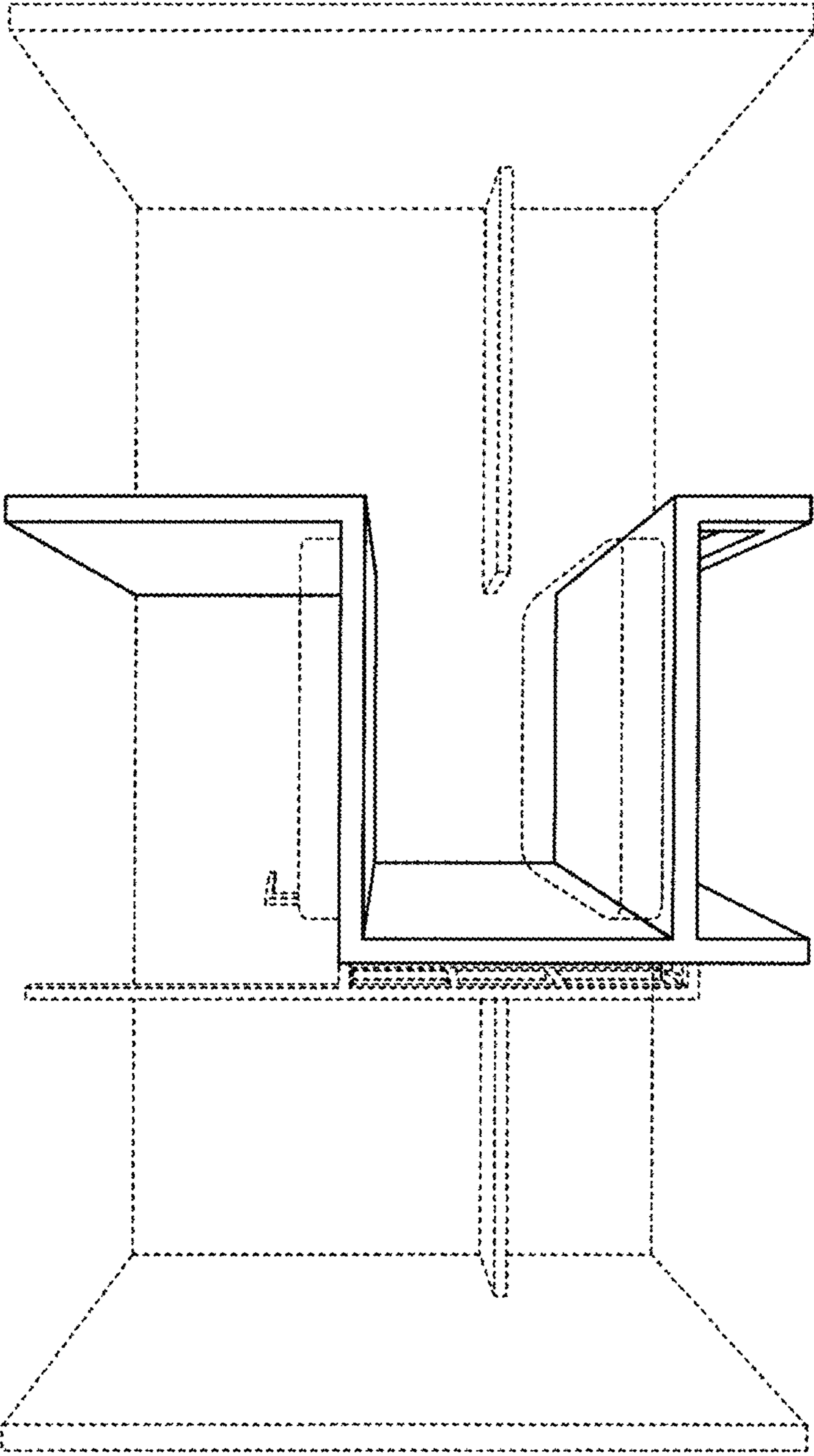
References Cited

U.S. PATENT DOCUMENTS

2016/0245005 A1* 8/2016 Tsuchiyama E04B 2/7409
2016/0309906 A1* 10/2016 Danzi A47B 83/04

* cited by examiner

FIG. 1



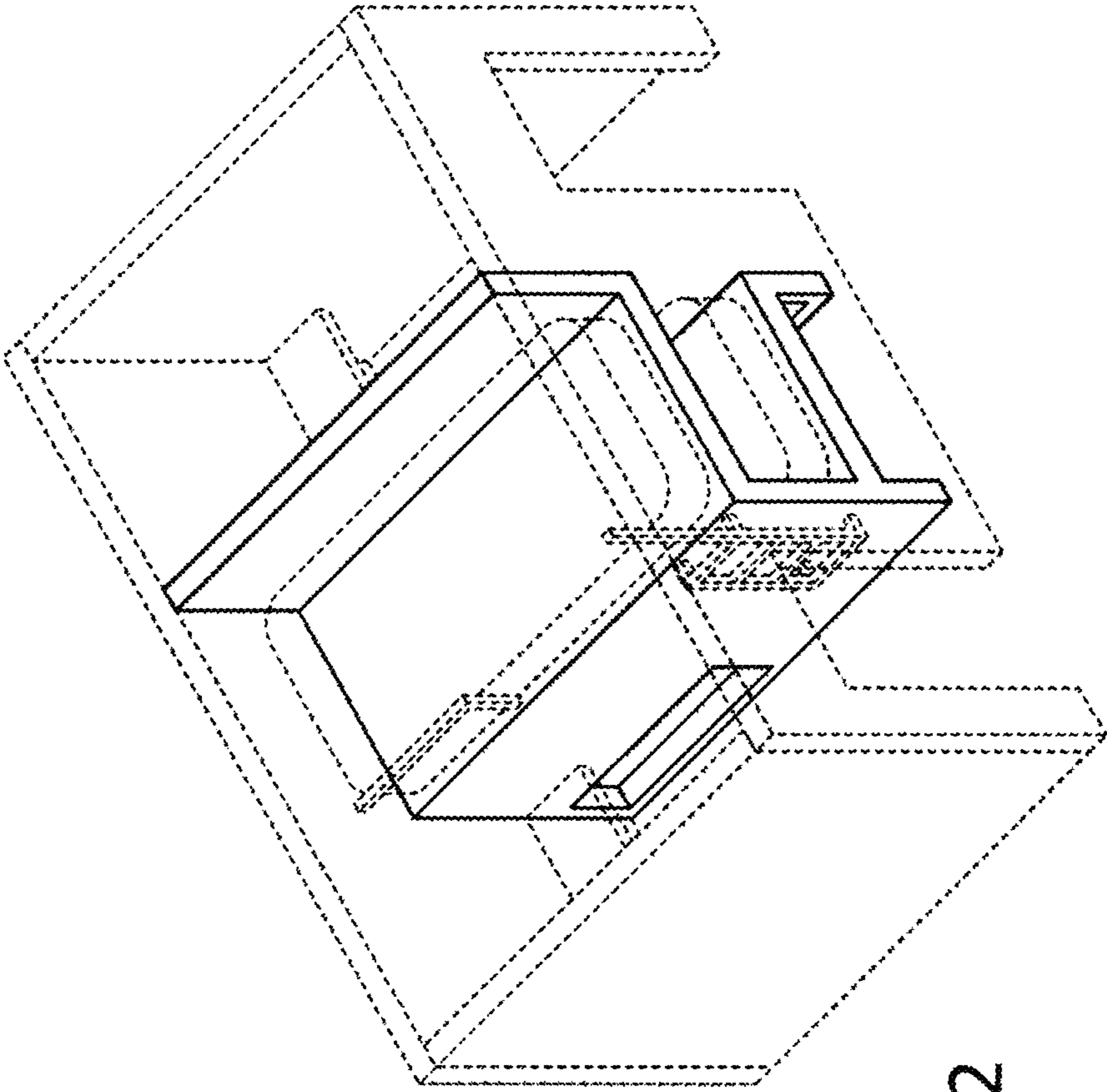


FIG. 2

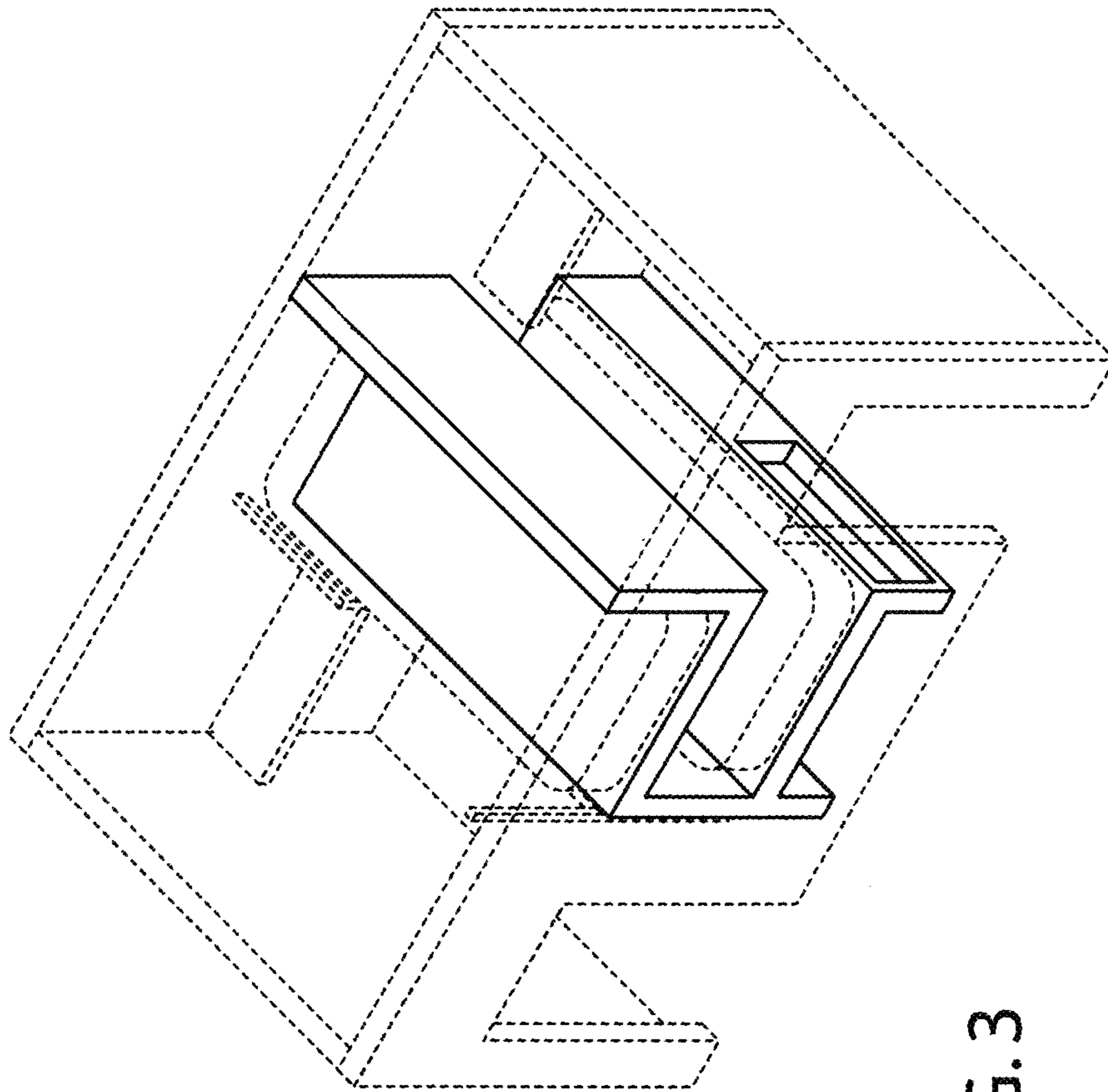


FIG. 3

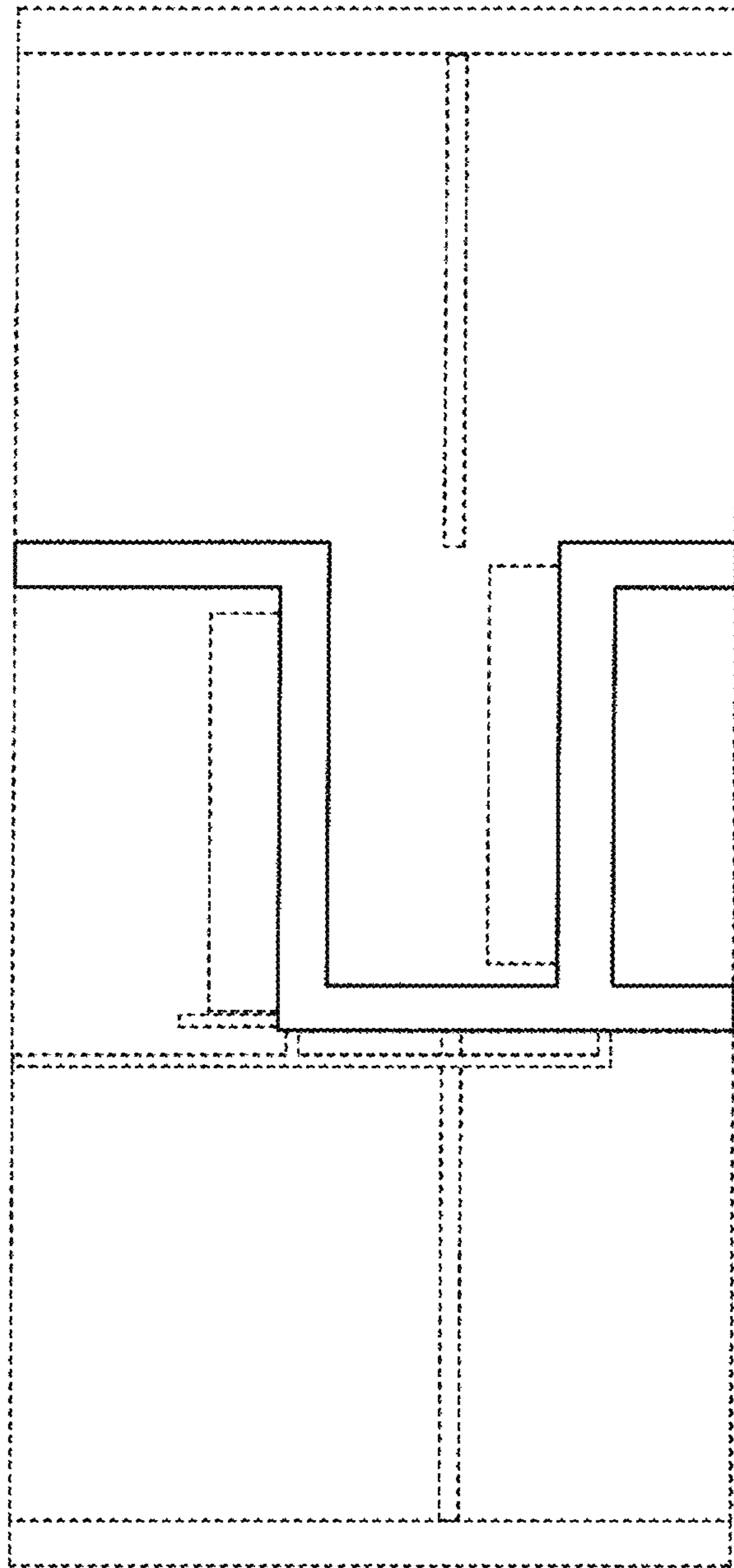


FIG. 4

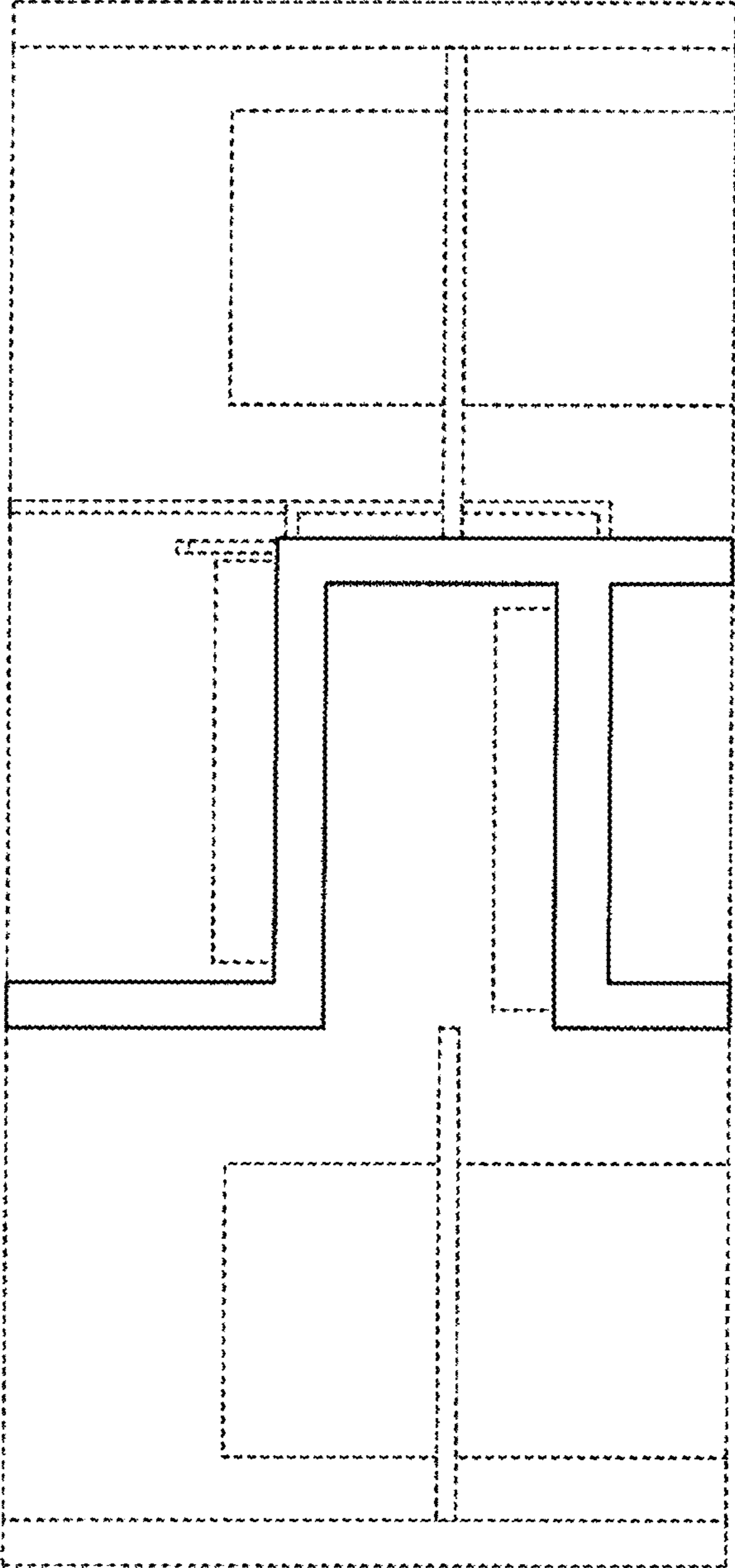


FIG. 5

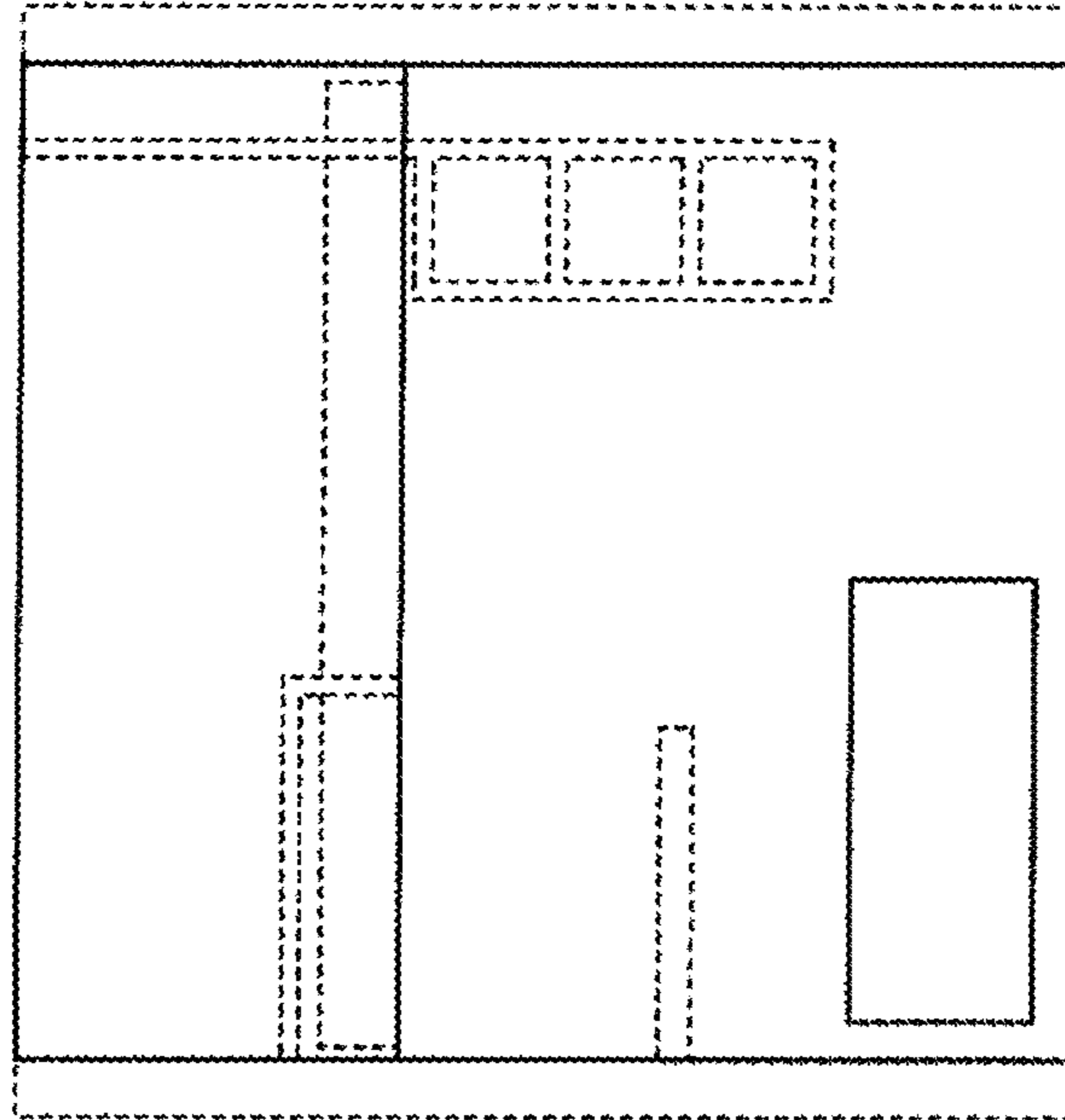


FIG. 7

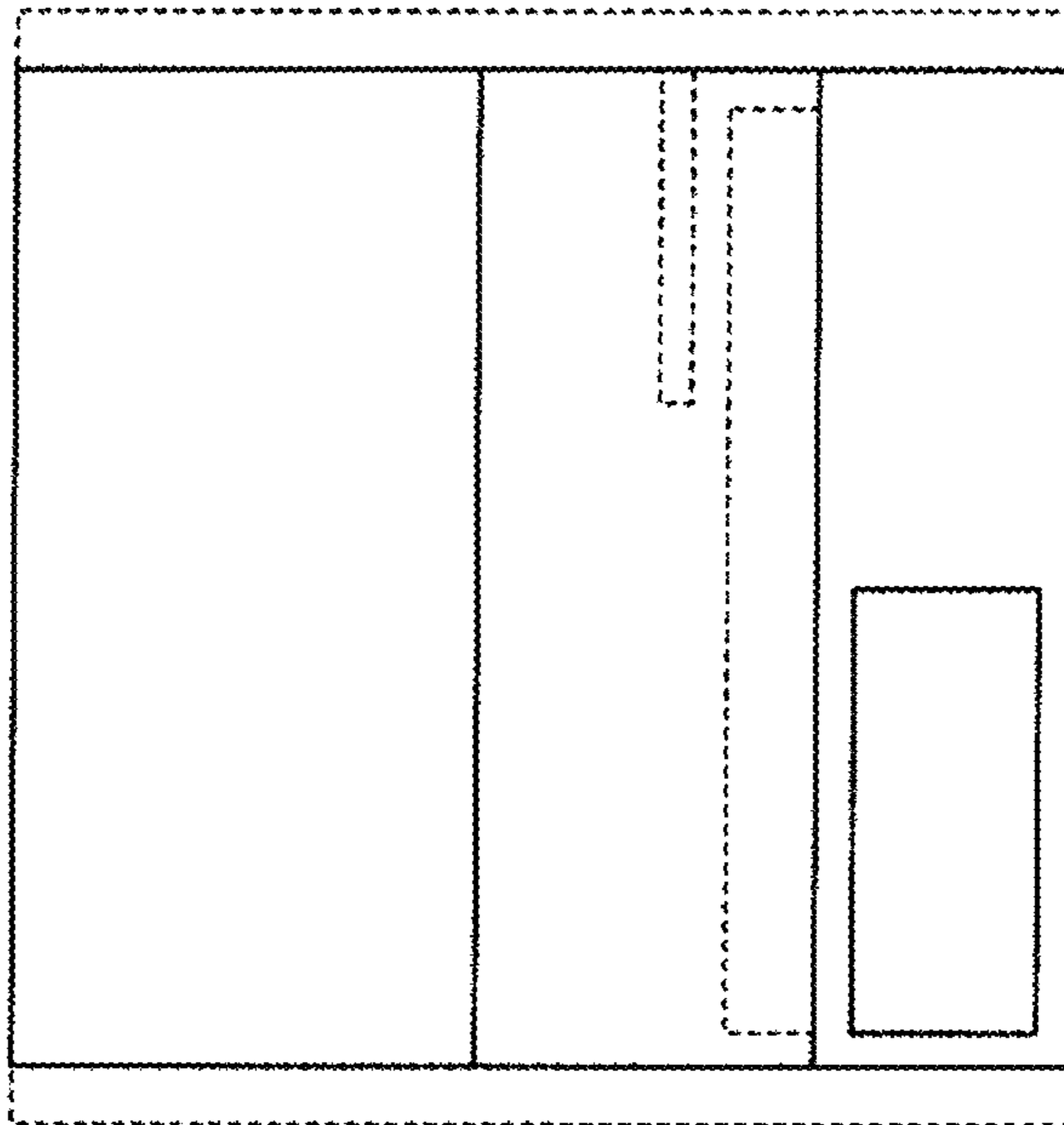


FIG 6

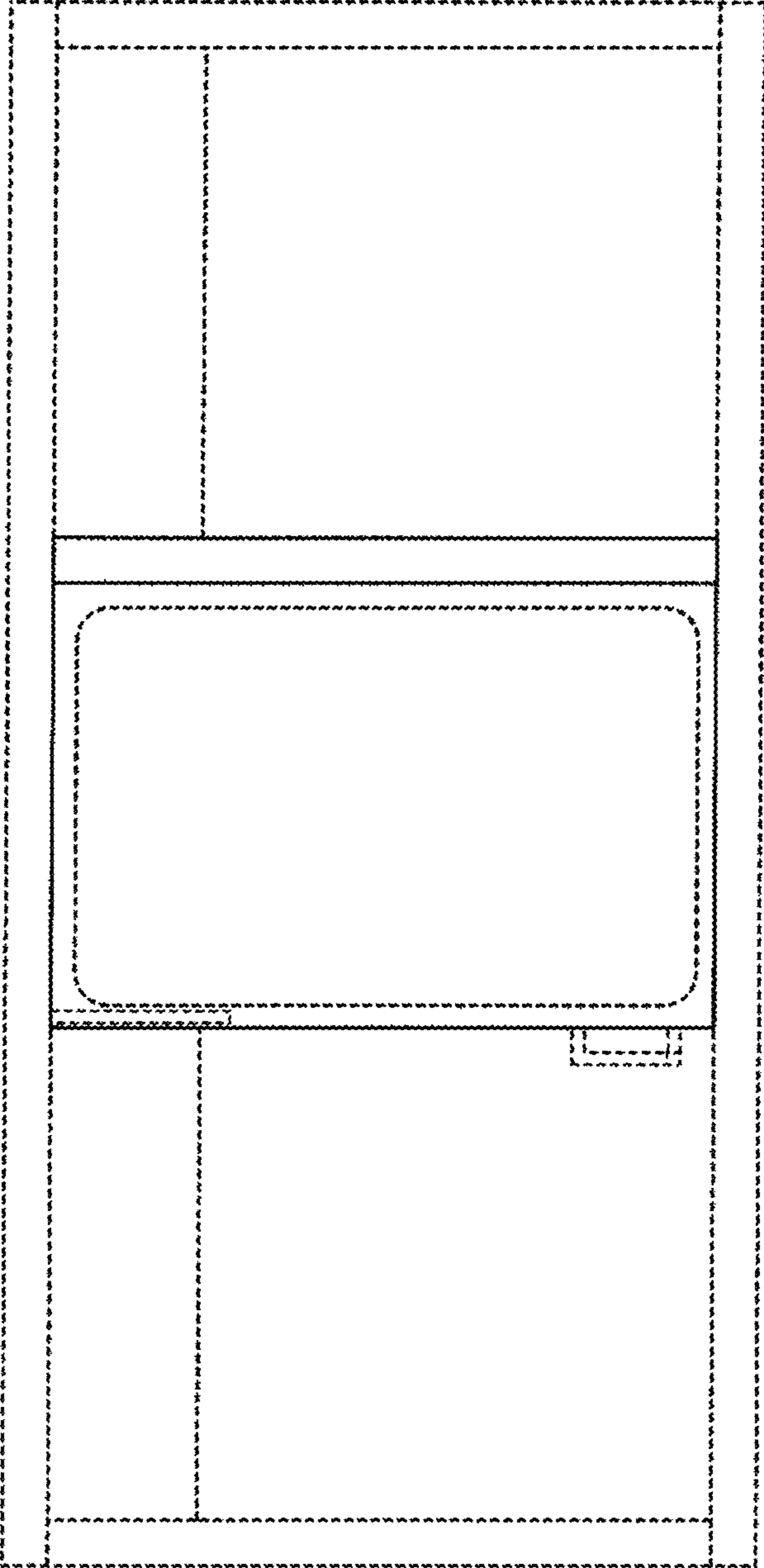


FIG. 8

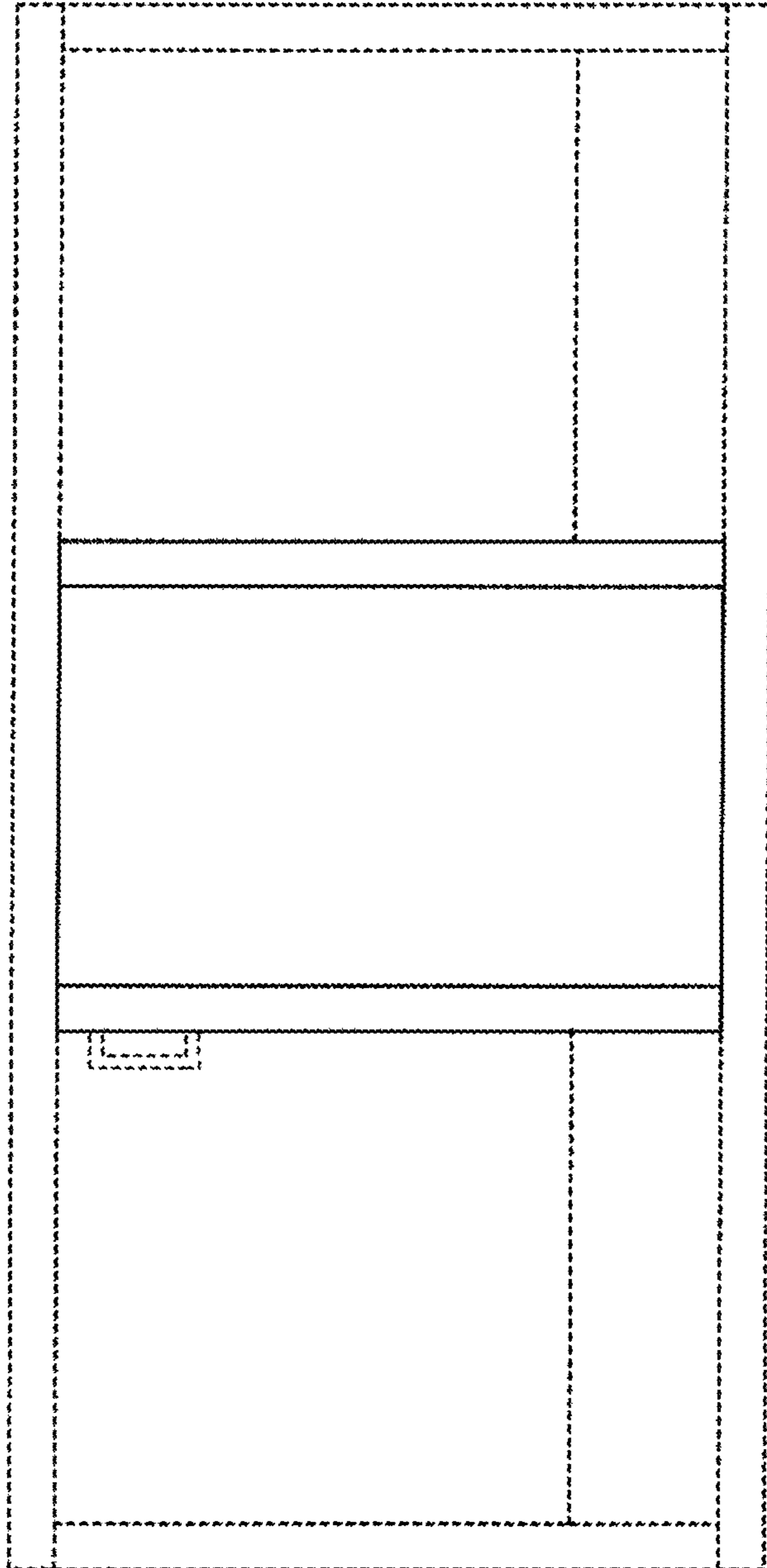


FIG. 9