



US00D814655S

(12) **United States Design Patent**  
**Zwaan et al.**

(10) **Patent No.:** **US D814,655 S**  
(45) **Date of Patent:** **\*\* Apr. 3, 2018**

- (54) **STORAGE CASSETTE**
- (71) Applicant: **Fumacare Limited**, Henderson, Auckland (NZ)
- (72) Inventors: **Paul Francis Zwaan**, Christchurch (NZ); **Michael Freeman**, Auckland (NZ); **Patricia Margaret Butler**, Auckland (NZ); **Raymond Thomas Butler**, Auckland (NZ)
- (73) Assignee: **Butler Concepts Limited**, Henderson (NZ)

- 3,843,455 A \* 10/1974 Bier ..... A01N 1/00 422/45
- 5,009,316 A \* 4/1991 Klein ..... B01L 9/06 206/443
- D468,436 S \* 1/2003 Brassil ..... D24/107
- 6,803,227 B2 \* 10/2004 Wood ..... A01N 1/0247 435/284.1
- D531,320 S \* 10/2006 Garland ..... D24/107
- 7,179,424 B2 \* 2/2007 Williamson, IV ..... B01L 3/545 422/536
- 7,776,274 B2 \* 8/2010 Williamson, IV ..... B01L 3/508 422/400
- D629,119 S \* 12/2010 Motadel ..... D24/224
- D638,136 S \* 5/2011 Parunak ..... D24/224
- D661,403 S \* 6/2012 Connelly ..... D24/224

(\*\*) Term: **14 Years**

(21) Appl. No.: **29/514,191**

(22) Filed: **Jan. 9, 2015**

(30) **Foreign Application Priority Data**

- Jul. 9, 2014 (NZ) ..... 419047
- Dec. 22, 2014 (NZ) ..... 419686

(51) **LOC (11) Cl.** ..... **24-00**

(52) **U.S. Cl.**  
USPC ..... **D24/231**

(58) **Field of Classification Search**  
USPC ..... D24/231, 129, 224, 225, 169, 107, 216, D24/229, 232, 186; D9/737; 53/451; 222/522; 220/771; 422/45, 356, 400; 206/443; 435/284.1  
CPC ..... A01N 1/0205; A01N 1/00; A01N 1/0247; F25D 3/00; B01L 9/06; B01L 3/545; B01L 3/508

See application file for complete search history.

(56) **References Cited**

**U.S. PATENT DOCUMENTS**

- 3,660,241 A \* 5/1972 Michielsen ..... A01N 1/0205 222/522
- 3,810,367 A \* 5/1974 Peterson ..... F25D 3/00 220/771

(Continued)  
*Primary Examiner* — Rhea Shields  
(74) *Attorney, Agent, or Firm* — Fitch, Even, Tabin & Flannery LLP

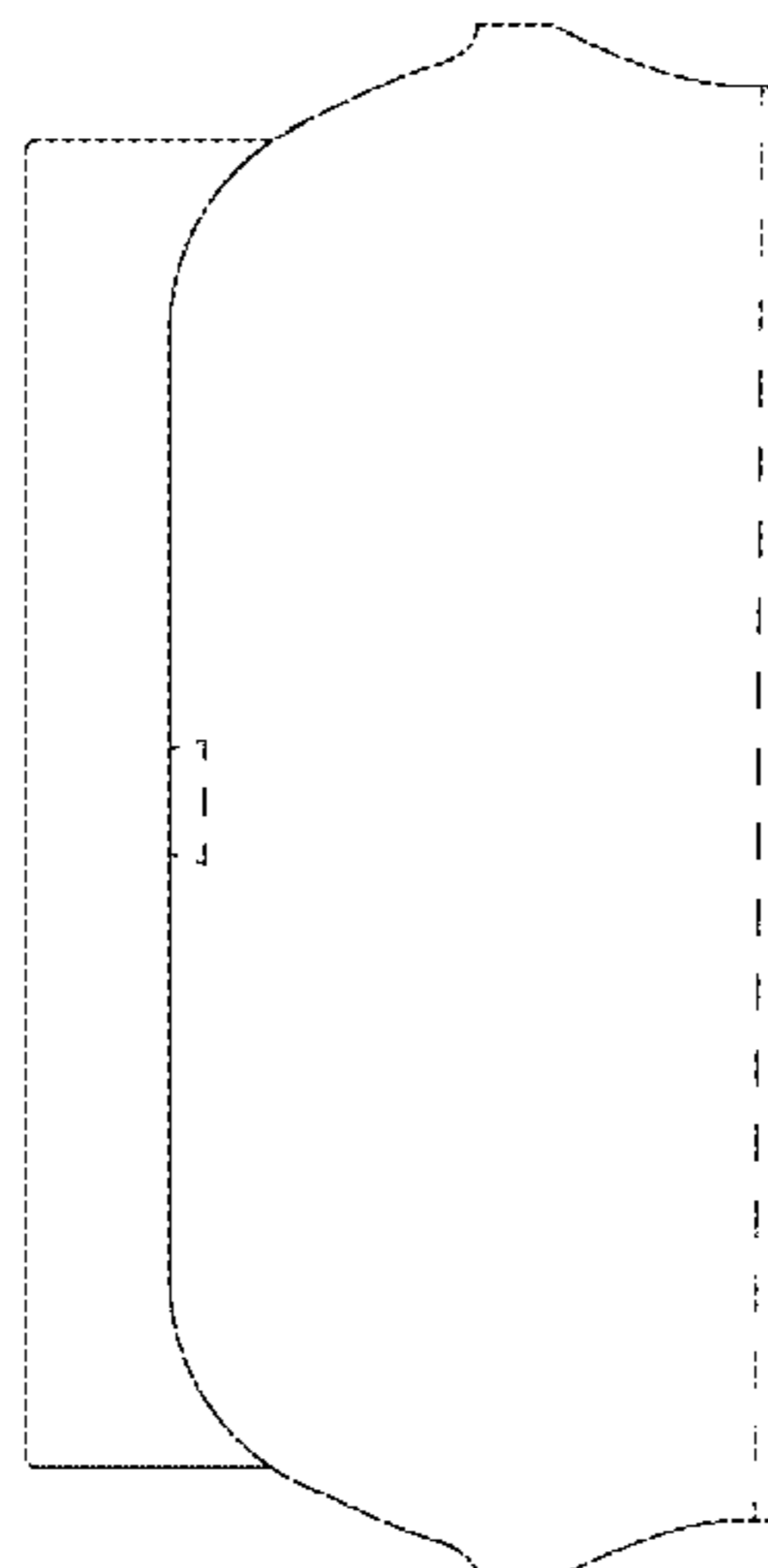
(57) **CLAIM**

We claim the ornamental design for a storage cassette, as shown and described.

**DESCRIPTION**

FIG. 1 is a front view of the storage cassette, showing our new design;  
FIG. 2 is a top view thereof;  
FIG. 3 is a right hand side view thereof;  
FIG. 4 is a left hand side view thereof;  
FIG. 5 is a bottom view thereof;  
FIG. 6 is a rear view thereof;  
FIG. 7 is a rear isometric top view thereof;  
FIG. 8 is a front isometric top view thereof; and,  
FIG. 9 is a rear bottom isometric view.  
In the drawings, the broken lines are for the purpose of illustrating environment only and form no part of the claimed design.

**1 Claim, 9 Drawing Sheets**



(56)

**References Cited**

U.S. PATENT DOCUMENTS

D666,305	S	*	8/2012	Benarieh	.....	D24/232
D668,350	S	*	10/2012	Rowley	.....	D24/225
D669,589	S	*	10/2012	Delaey	.....	D24/169
D672,042	S	*	12/2012	Delaey	.....	D24/169
D691,711	S	*	10/2013	Lofgren	.....	D24/107
D692,573	S	*	10/2013	Steinman	.....	D24/216
D692,575	S	*	10/2013	Steinman	.....	D24/216
D692,577	S	*	10/2013	Steinman	.....	D24/216
D700,355	S	*	2/2014	Davis	.....	D24/225
D701,972	S	*	4/2014	Ohmae	.....	D24/229
D706,446	S	*	6/2014	Ingber	.....	D24/224
D733,320	S	*	6/2015	Perry	.....	D24/231
D742,529	S	*	11/2015	Huffman	.....	D24/186
D748,991	S	*	2/2016	Cerrato	.....	D9/737
D750,272	S	*	2/2016	Hage	.....	D24/224
D760,400	S	*	6/2016	Grune	.....	D24/219
2016/0114975	A1	*	4/2016	Butler	.....	B65F 1/062 53/451

\* cited by examiner

FIG. 1

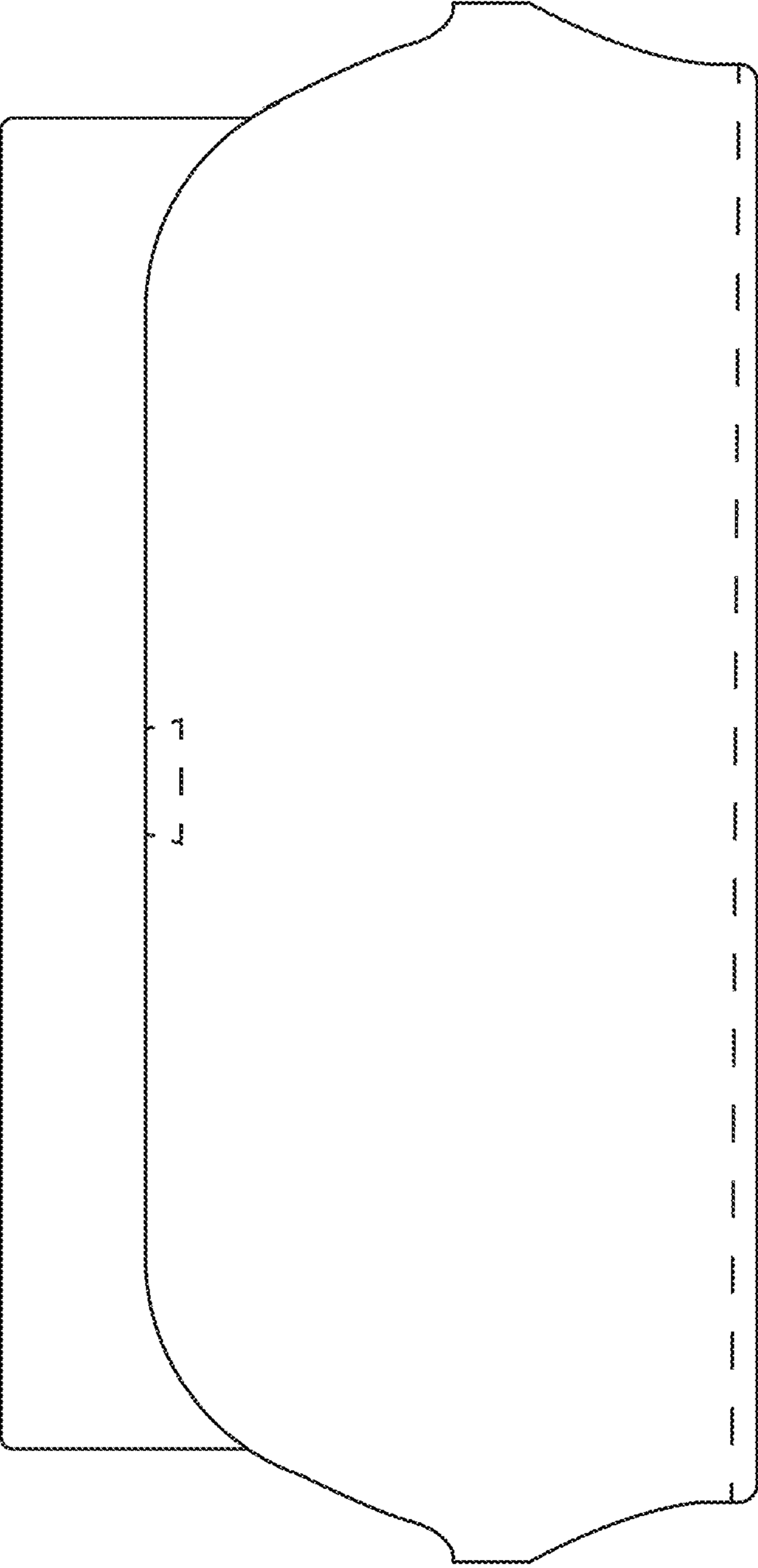


FIG. 2

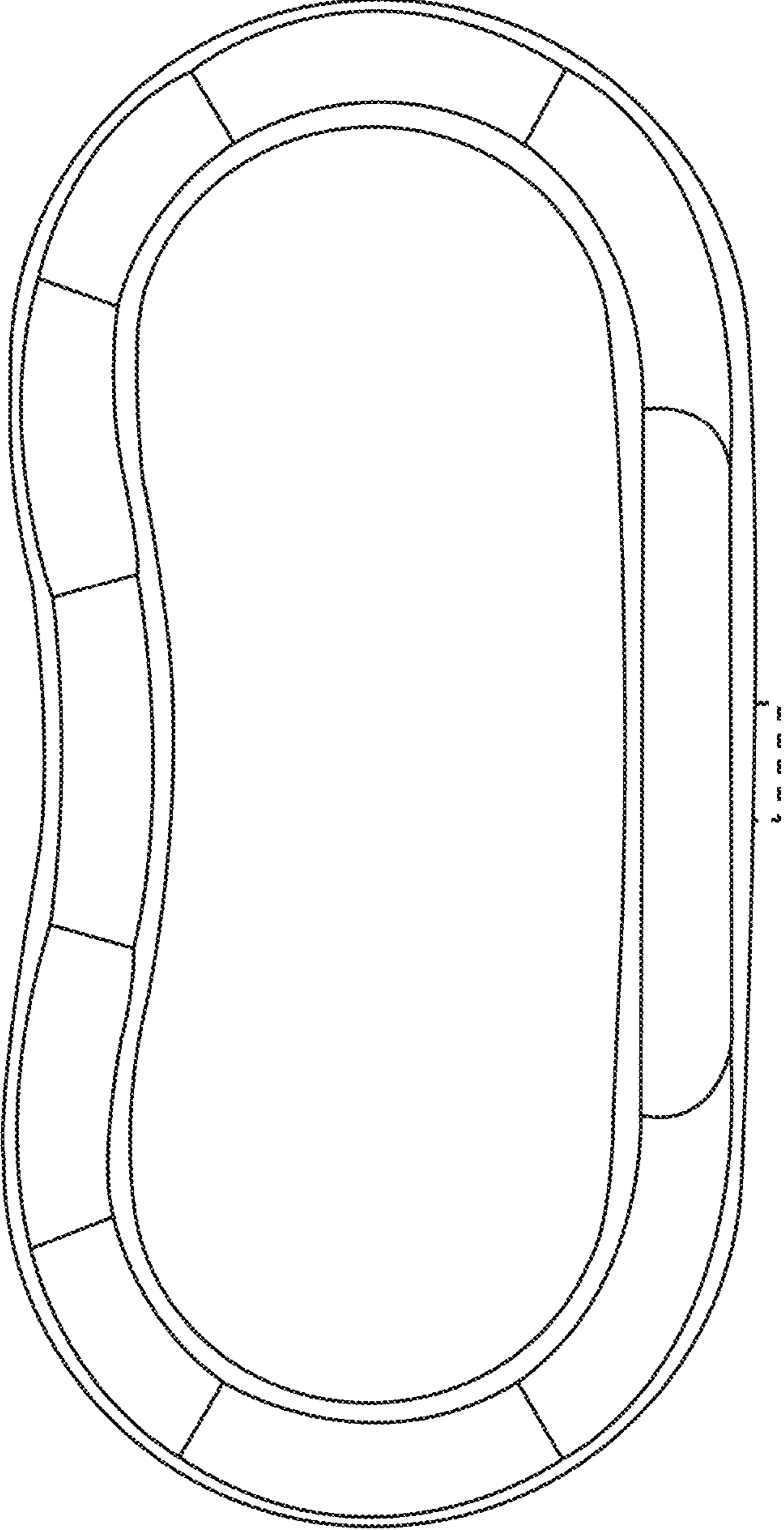


FIG. 3

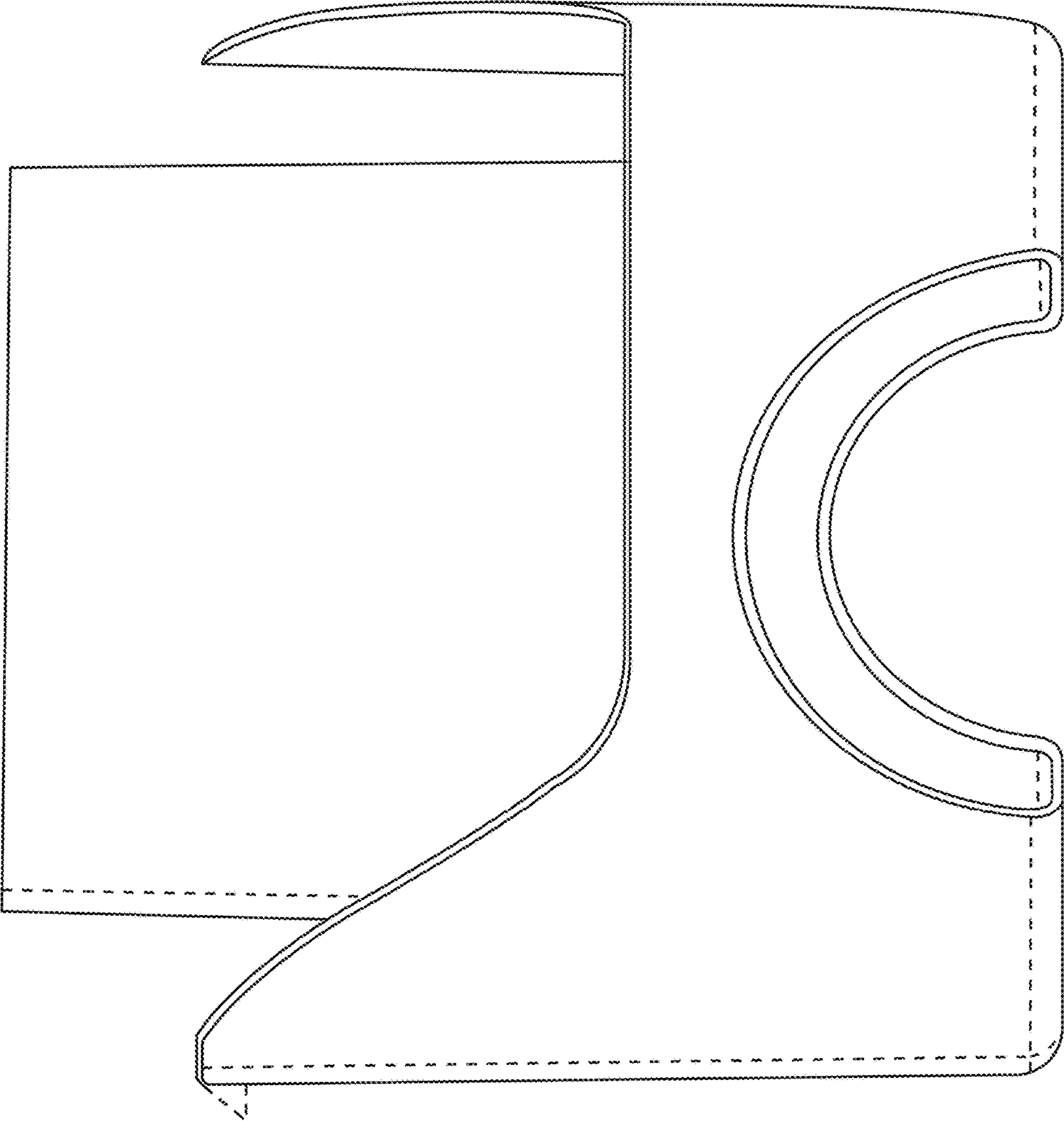


FIG. 4

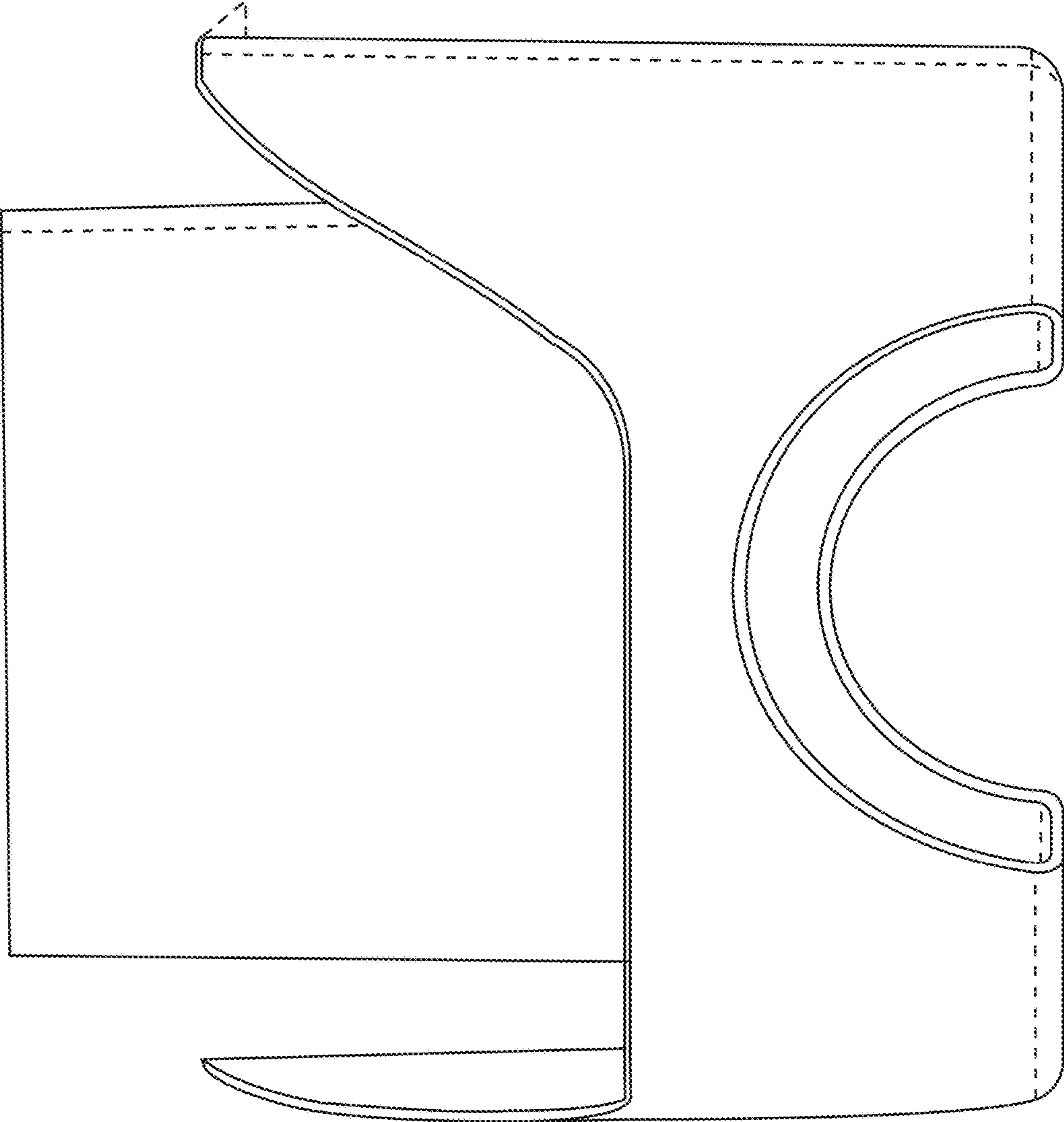


FIG. 5

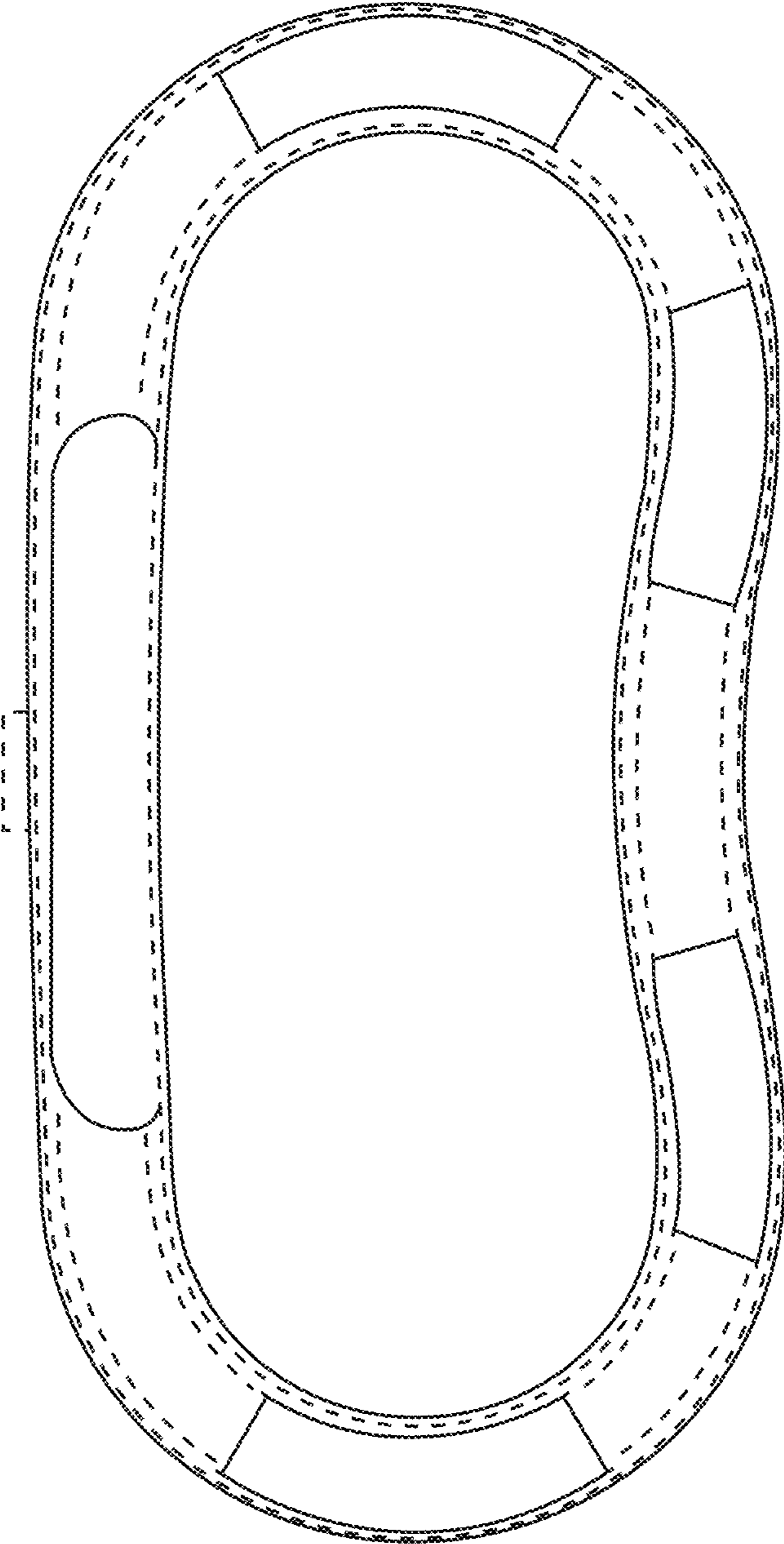


FIG. 6

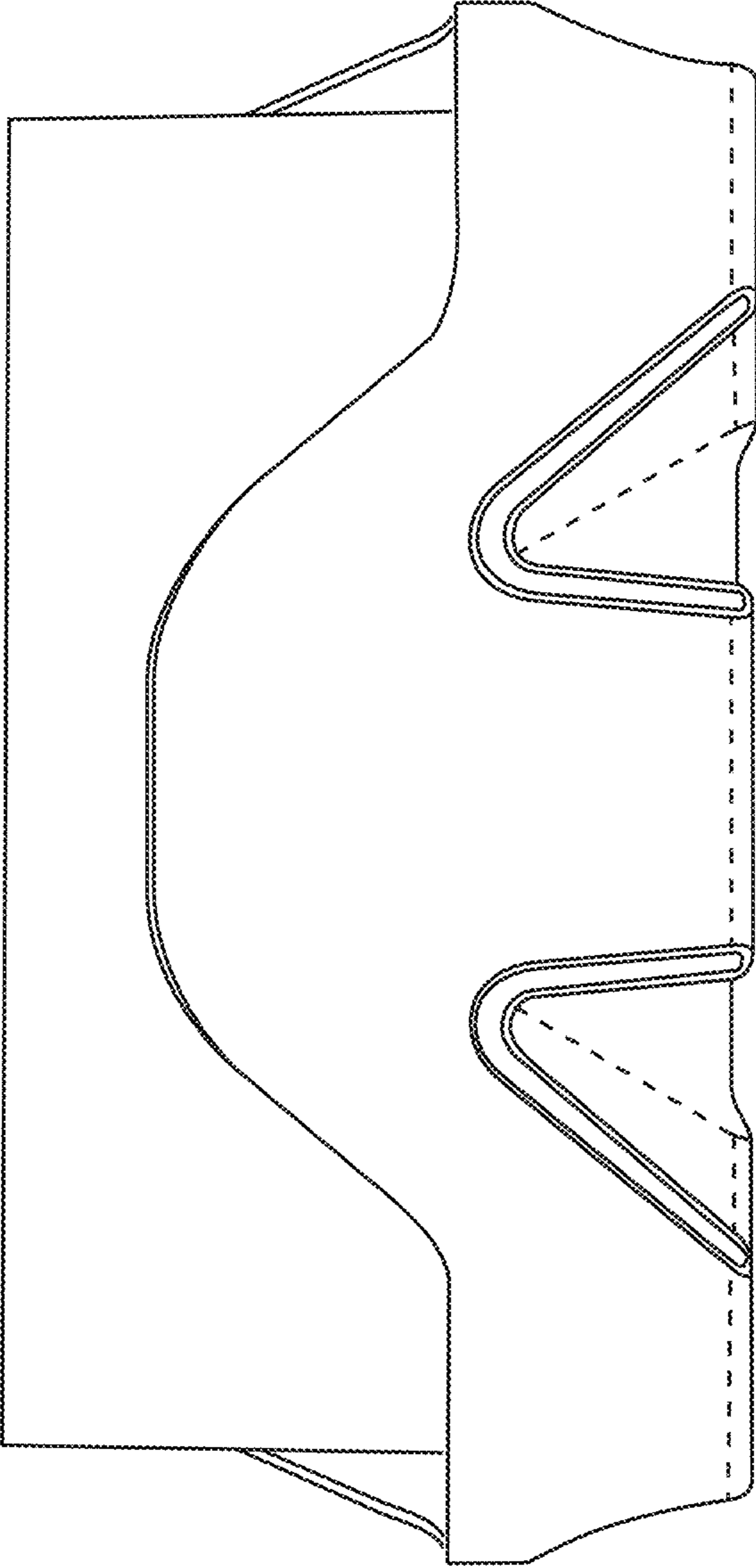




FIG. 7

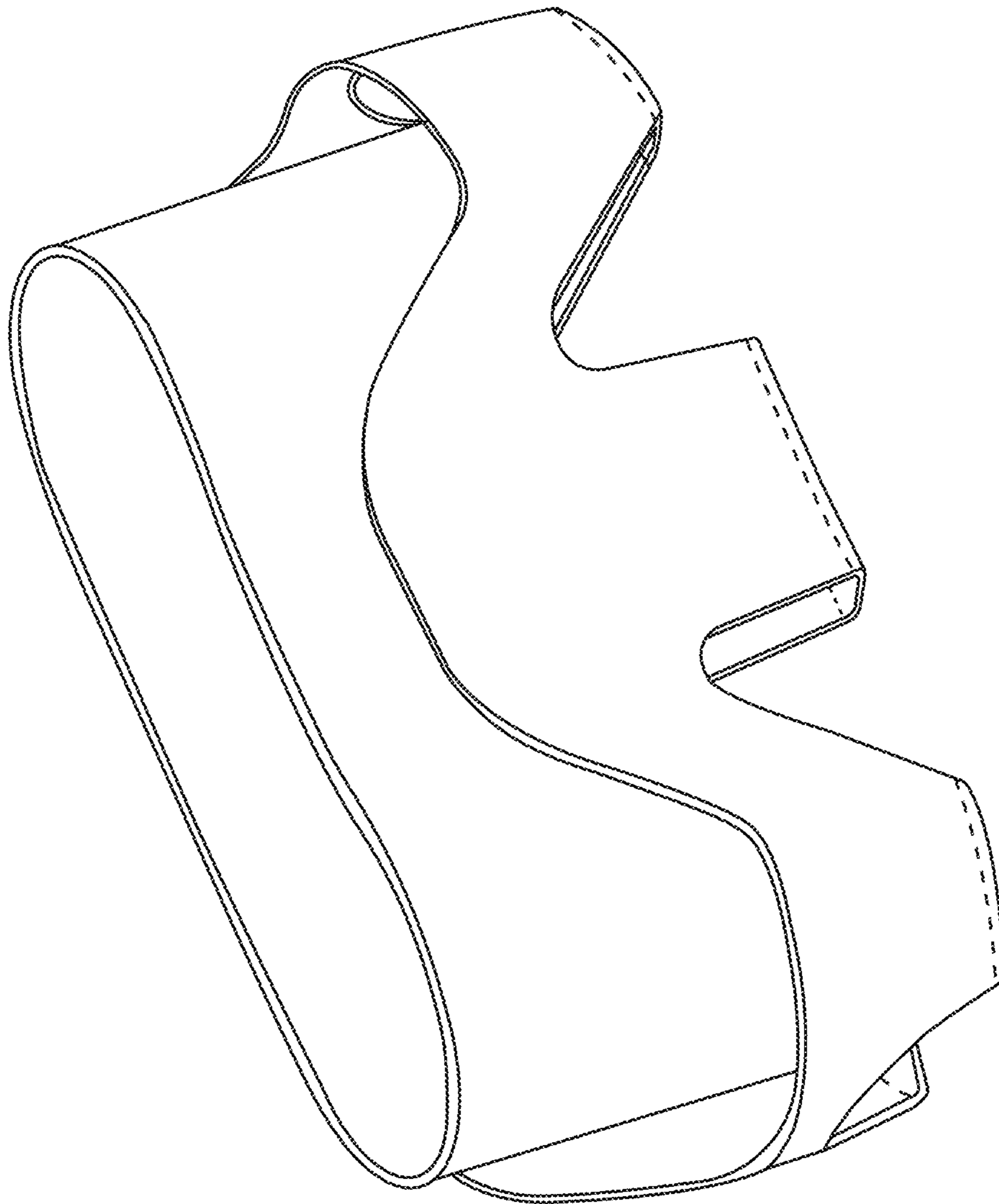


FIG. 8

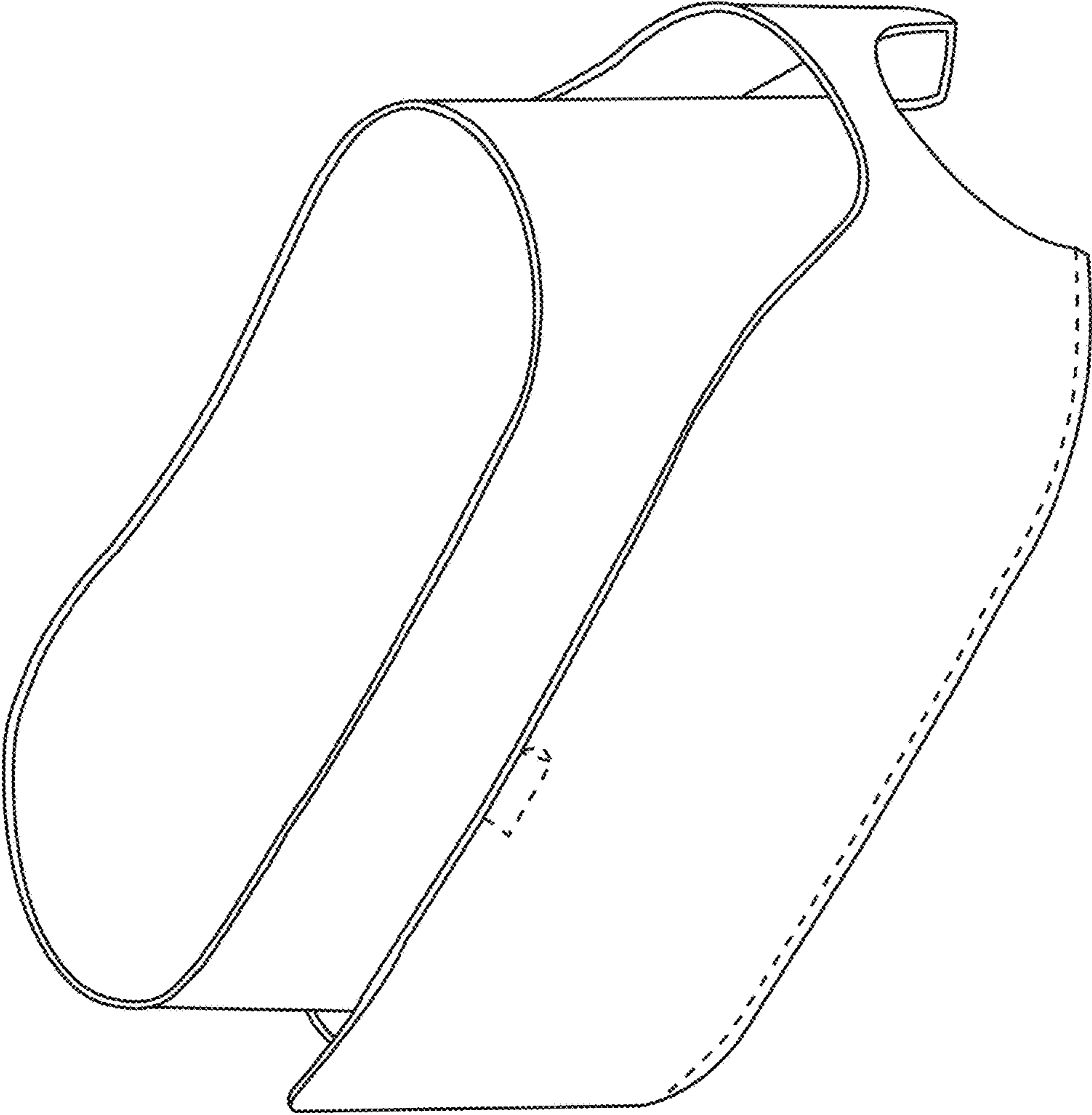


FIG. 9

