



US00D814654S

(12) **United States Design Patent**
Daines

(10) **Patent No.:** **US D814,654 S**

(45) **Date of Patent:** **** Apr. 3, 2018**

(54) **MEDICAL MIXING TRAY**

(71) Applicant: **PHD Preventative Health Care and Diagnostics, Inc.**, Colorado Springs, CO (US)

(72) Inventor: **Eric R. Daines**, Colorado Springs, CO (US)

(**) Term: **15 Years**

(21) Appl. No.: **29/552,982**

(22) Filed: **Jan. 27, 2016**

(51) **LOC (11) Cl.** **24-02**

(52) **U.S. Cl.**
USPC **D24/230**

(58) **Field of Classification Search**
USPC D24/107, 216, 230, 229, 224, 226, 227;
422/939, 941, 942, 945, 913, 917, 536,
(Continued)

(56) **References Cited**

U.S. PATENT DOCUMENTS

2,981,039 A * 4/1961 Pohl B65B 43/08
206/486
4,973,315 A * 11/1990 Sincock A61M 5/3213
206/365

(Continued)

Primary Examiner — Susan Bennett Hattan

Assistant Examiner — Rebecca Tsehaye

(74) *Attorney, Agent, or Firm* — Aspire IP, LLC; Scott J. Hawranek

(57) **CLAIM**

I claim the ornamental design of a medical mixing tray, substantially as shown and described.

DESCRIPTION

The file of this patent contains a least one drawing executed in color. Copies of this patent with color drawings will be

provided by the United States Patent and Trademark Office upon request and payment of the necessary fee.

FIG. 1 is a perspective view of a medical mixing tray in accordance with the present invention;

FIG. 2 is a top view of FIG. 1;

FIG. 3 is a bottom view of FIG. 1;

FIG. 4 is a rear view of FIG. 1;

FIG. 5 is a front view of FIG. 1;

FIG. 6 is a right view of FIG. 1;

FIG. 7 is a left view of FIG. 1;

FIG. 8 is a perspective view of a medical mixing tray in accordance with the present invention;

FIG. 9 is a top view of the of FIG. 8;

FIG. 10 is a bottom of the of FIG. 8;

FIG. 11 is a front view of the of FIG. 8;

FIG. 12 is a back view of the of FIG. 8;

FIG. 13 is a right view of the of FIG. 8;

FIG. 14 is a left view of the of FIG. 8;

FIG. 15 is a perspective view of a medical mixing tray in accordance with present invention;

FIG. 16 is a top view of the medical mixing tray of FIG. 15;

FIG. 17 is a bottom view of the medical mixing tray of FIG. 15;

FIG. 18 is a rear view of the medical mixing tray of FIG. 15;

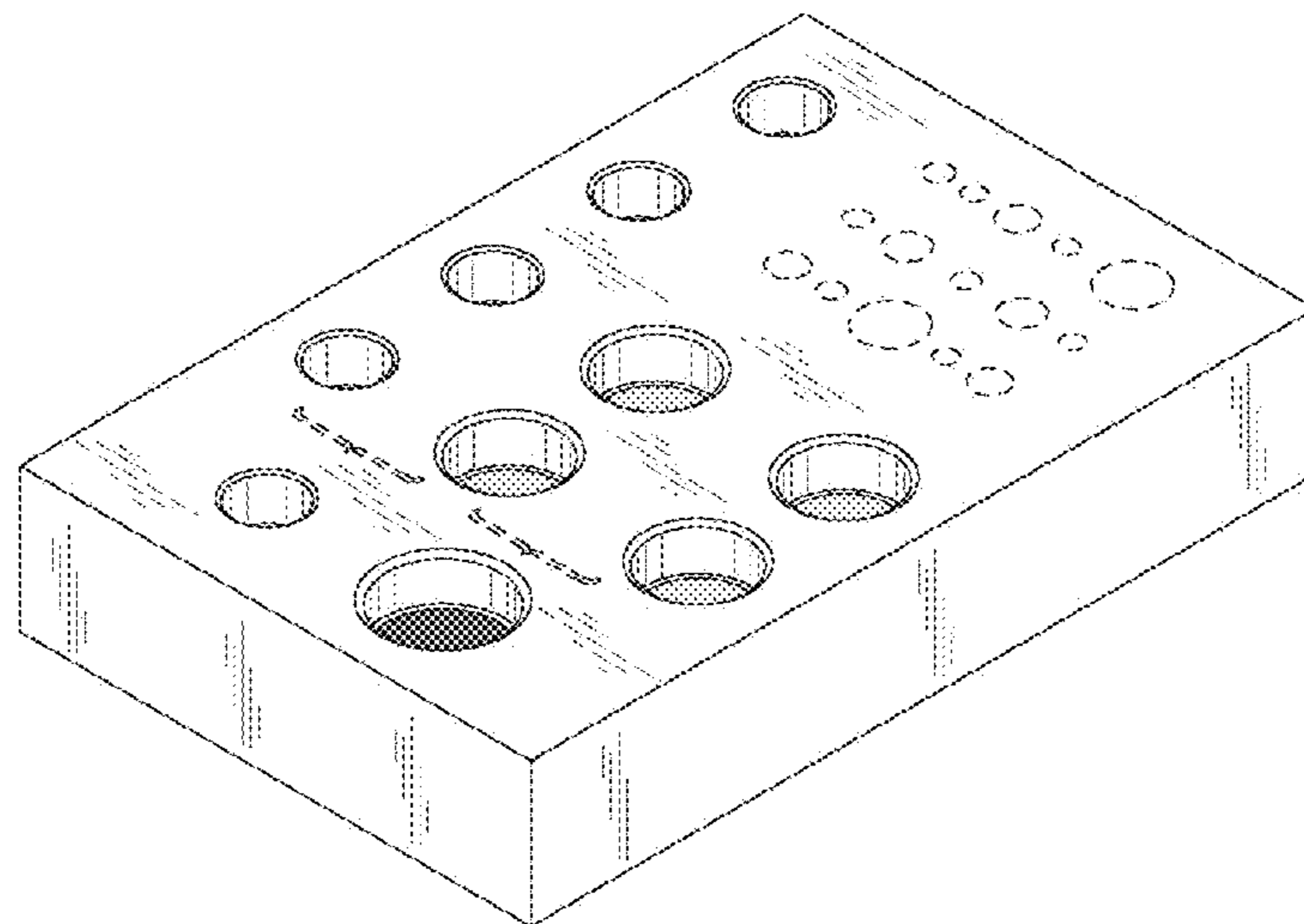
FIG. 19 is a front view of the medical mixing tray of FIG. 15;

FIG. 20 is a right view of the medical mixing tray of FIG. 15; and,

FIG. 21 is a left view of the medical mixing tray of FIG. 15.

The features shown in broken lines in the various Figures form no part of the claimed design. The shading shows contours, surfaces, or recesses of the present invention. The features of the present invention in FIGS. 1, 2, 8 and 9 are illustrated in color. In FIGS. 1, 2, 8 and 9, the color red, the color yellow, the color blue, the color green, and the color silver are shown. FIGS. 8-14 illustrate a transparent material used in the present invention.

1 Claim, 12 Drawing Sheets
(4 of 12 Drawing Sheet(s) Filed in Color)



(58) **Field of Classification Search**

USPC 422/254; 356/244, 266; 206/497, 562,
206/365

CPC .. A61B 50/30; A61B 50/33; A61B 2050/3008

See application file for complete search history.

(56) **References Cited**

U.S. PATENT DOCUMENTS

5,130,105 A * 7/1992 Carter B01D 9/00
117/223
5,424,213 A * 6/1995 Mouglin G01N 33/5014
422/400
5,508,005 A * 4/1996 Mathus B01L 3/5085
422/551
5,801,055 A * 9/1998 Henderson B01L 3/50255
422/536
6,311,842 B1 * 11/2001 Minerich B65D 71/72
206/562
D639,447 S * 6/2011 Karpiloff D24/230
D653,767 S * 2/2012 Lovshe D24/230
D734,867 S * 7/2015 Smeja D24/230
D739,680 S * 9/2015 Smeja D24/230
D766,455 S * 9/2016 Smollar D24/229
2002/0108880 A1 * 8/2002 Krupa B65D 5/5038
206/497

* cited by examiner

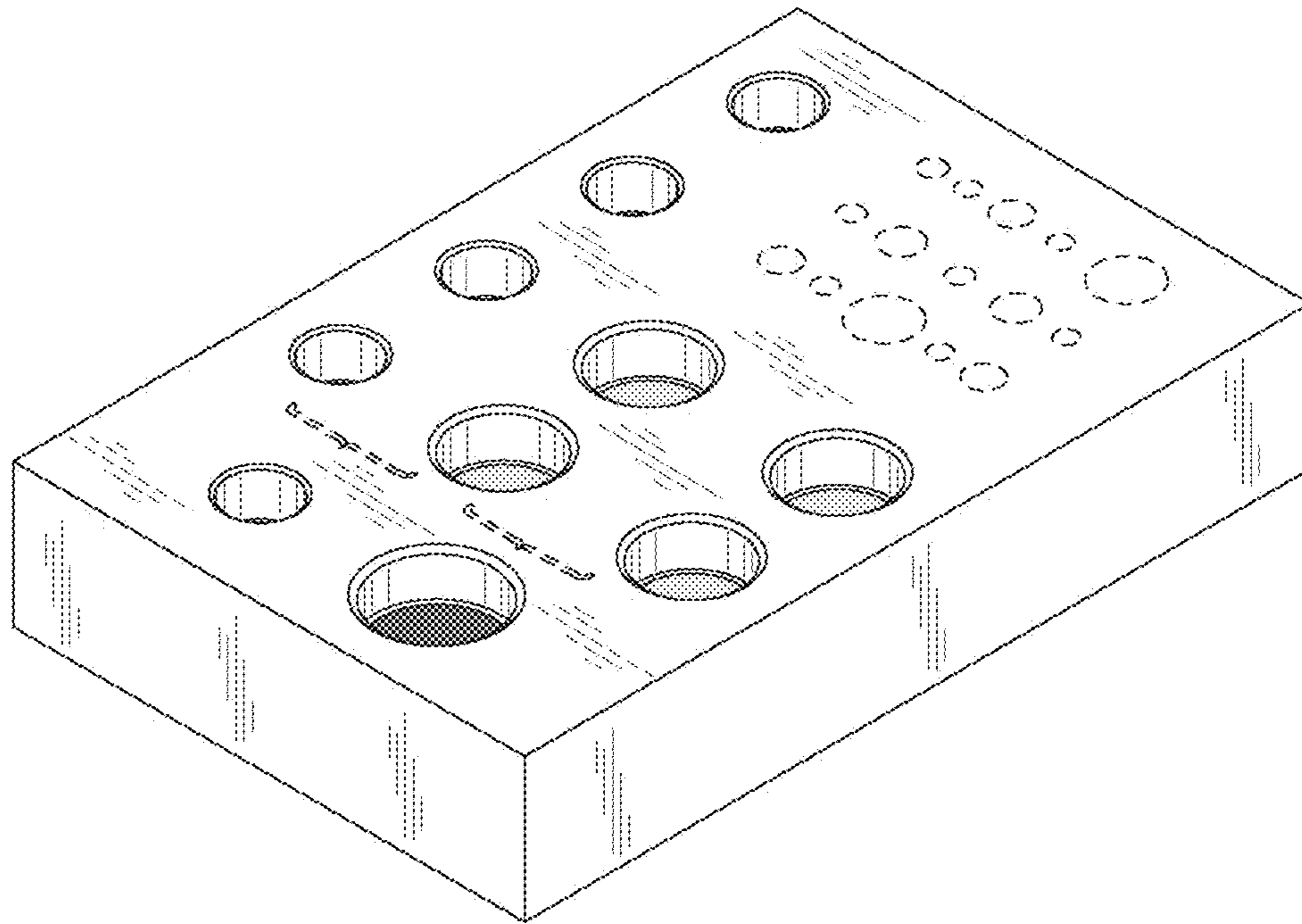


FIG. 1

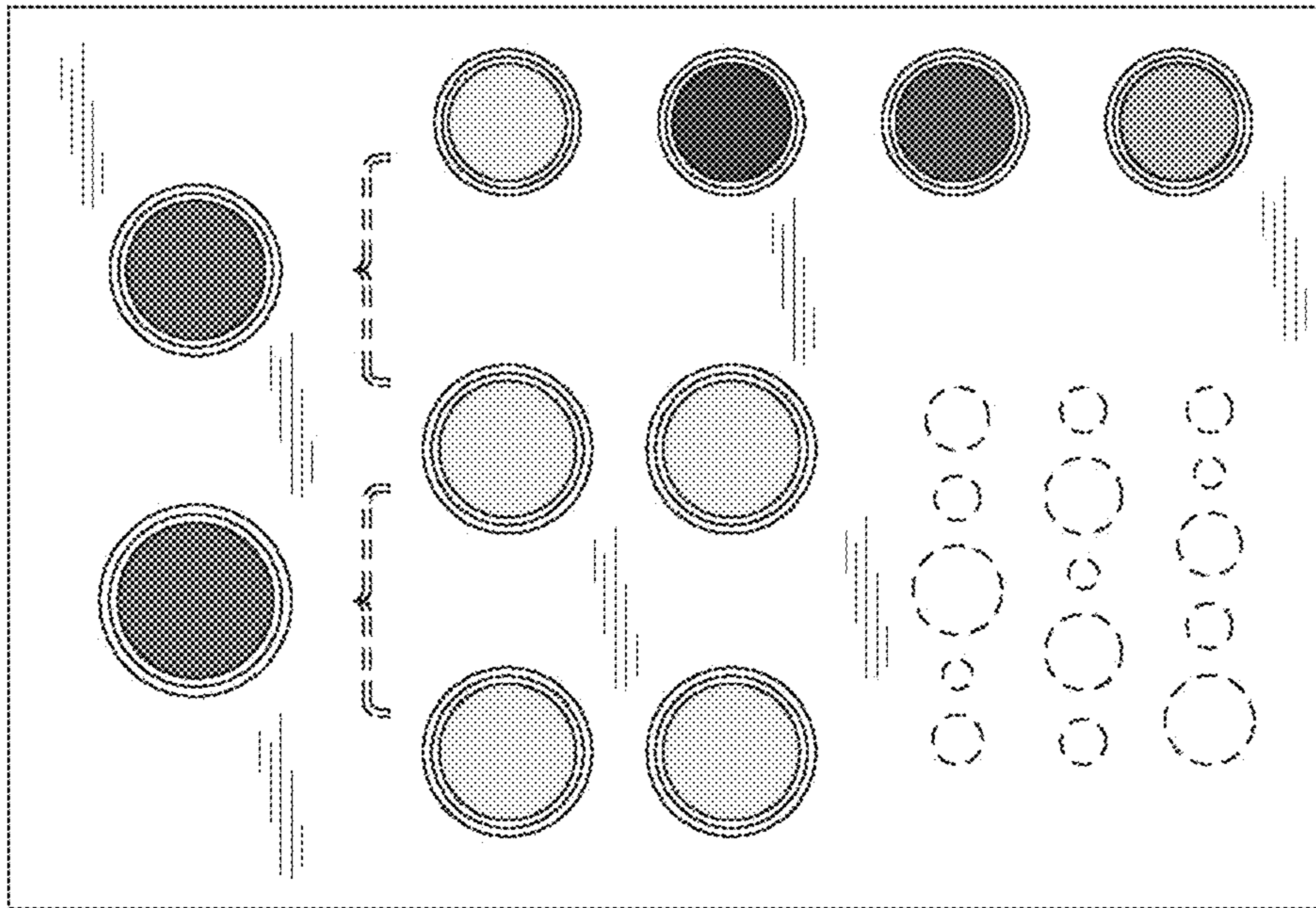


FIG. 2

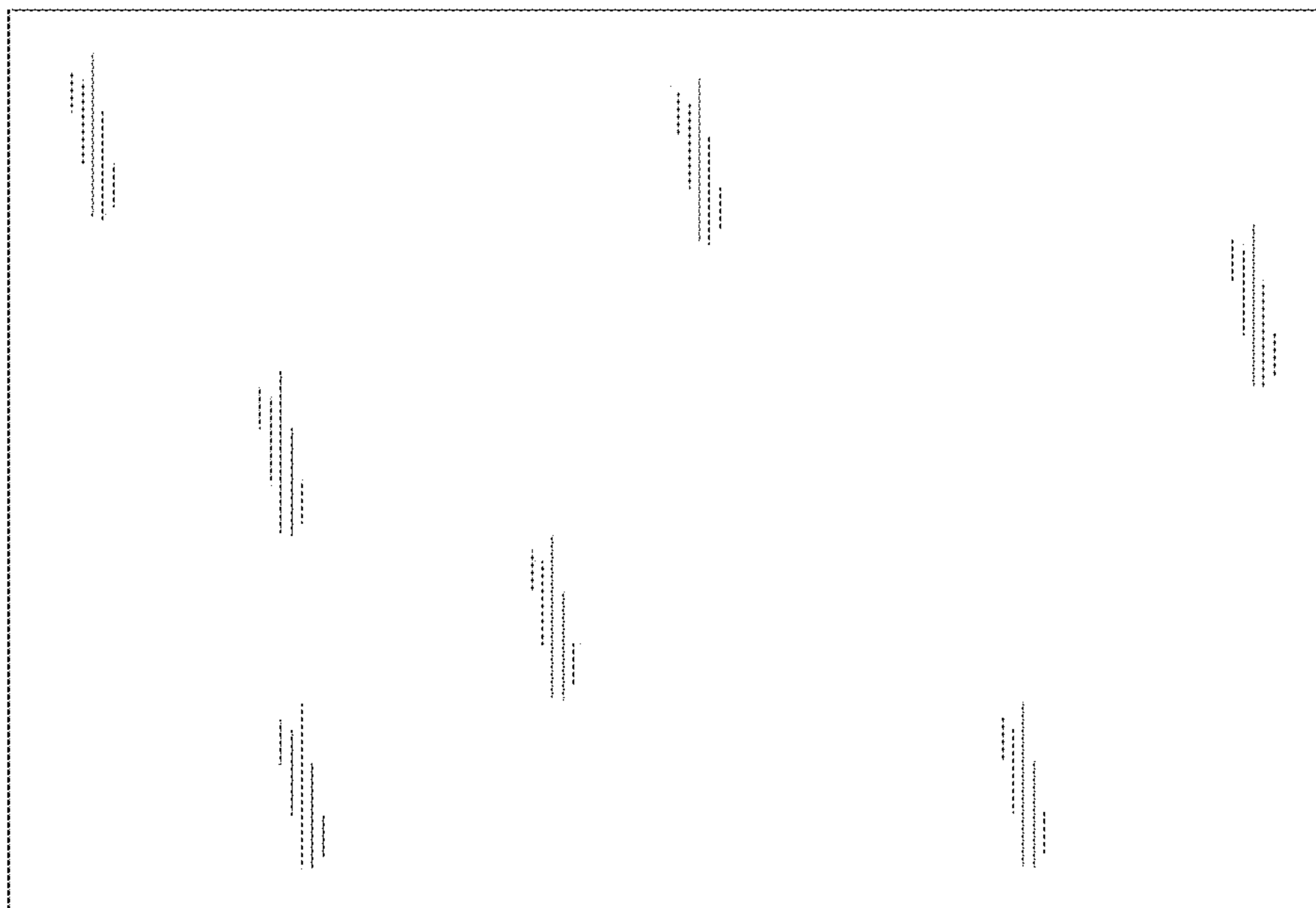


FIG. 3

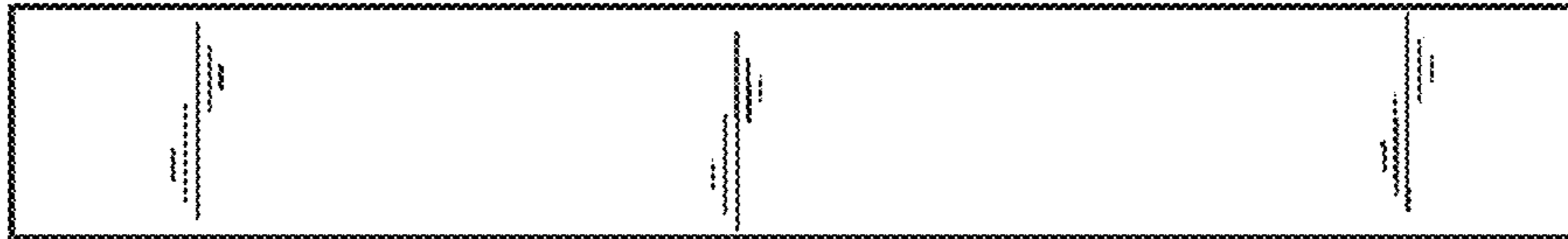


FIG. 4



FIG. 5

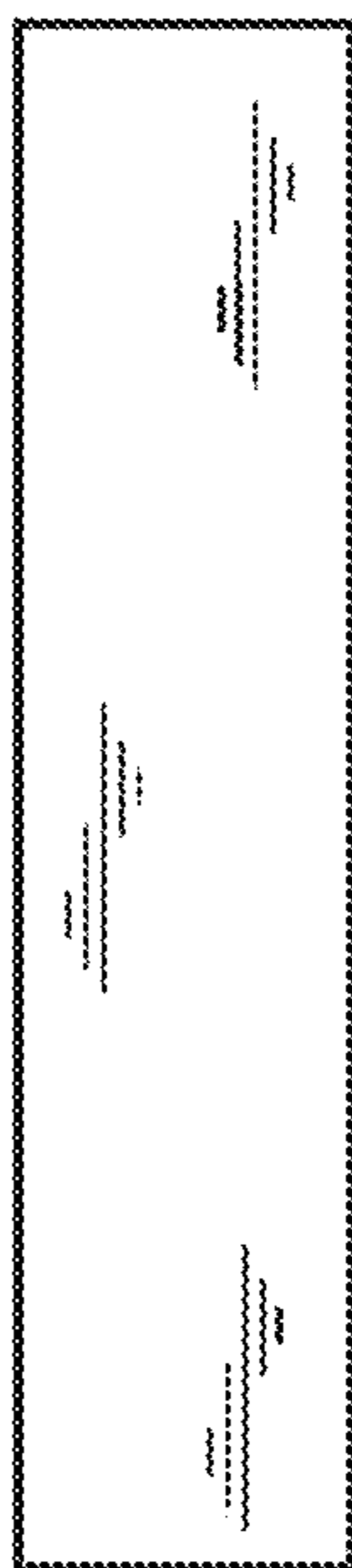


FIG. 6

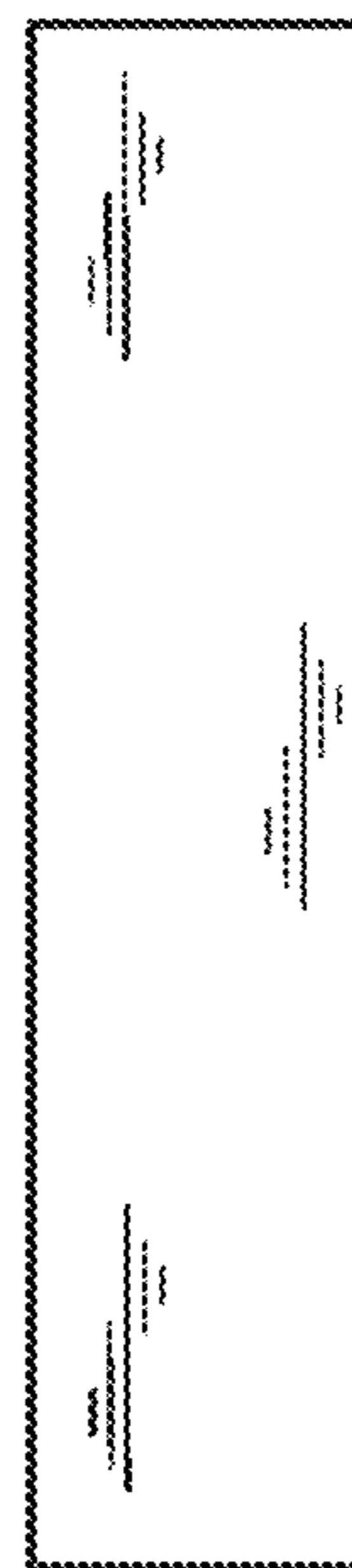


FIG. 7

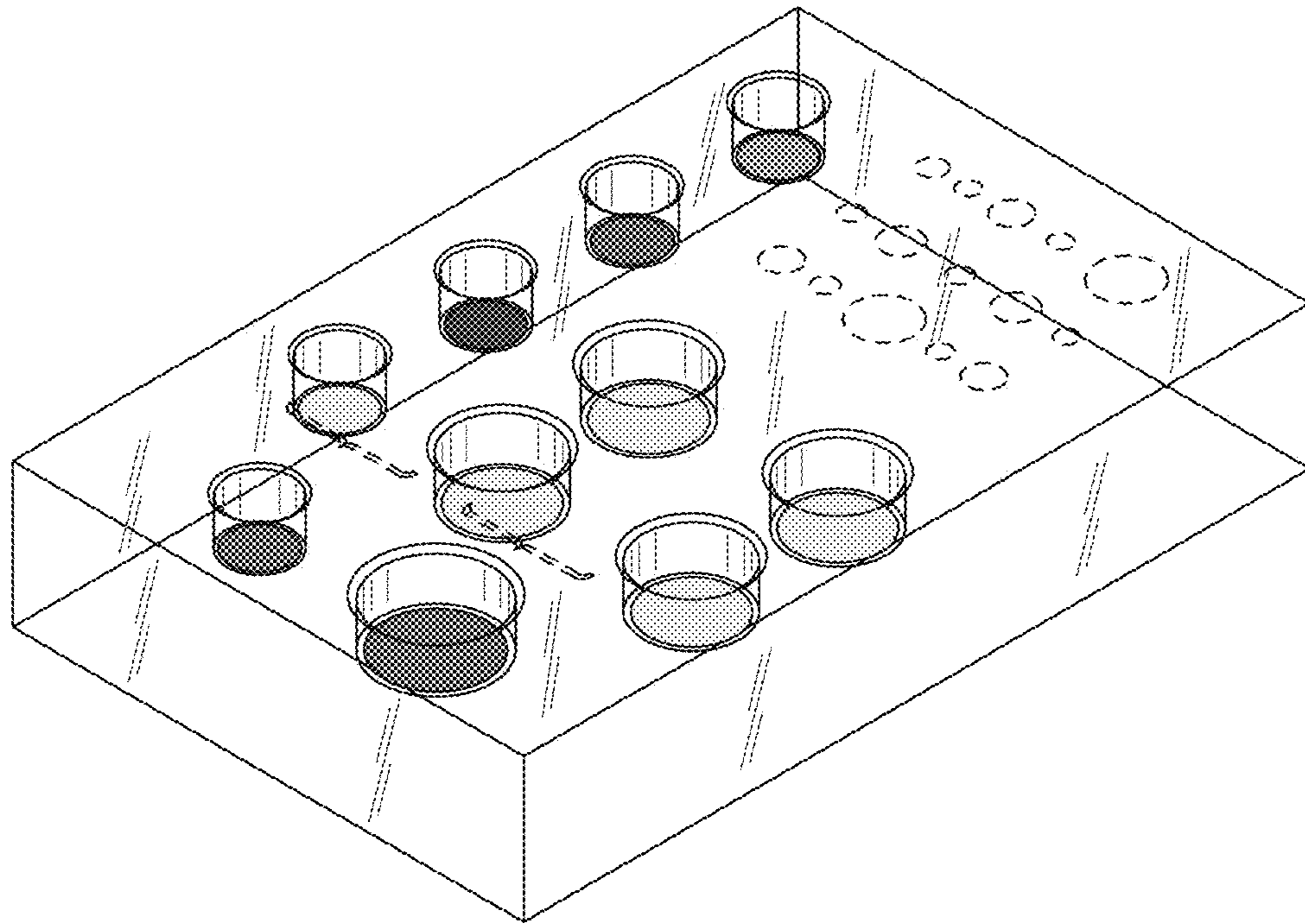


FIG. 8

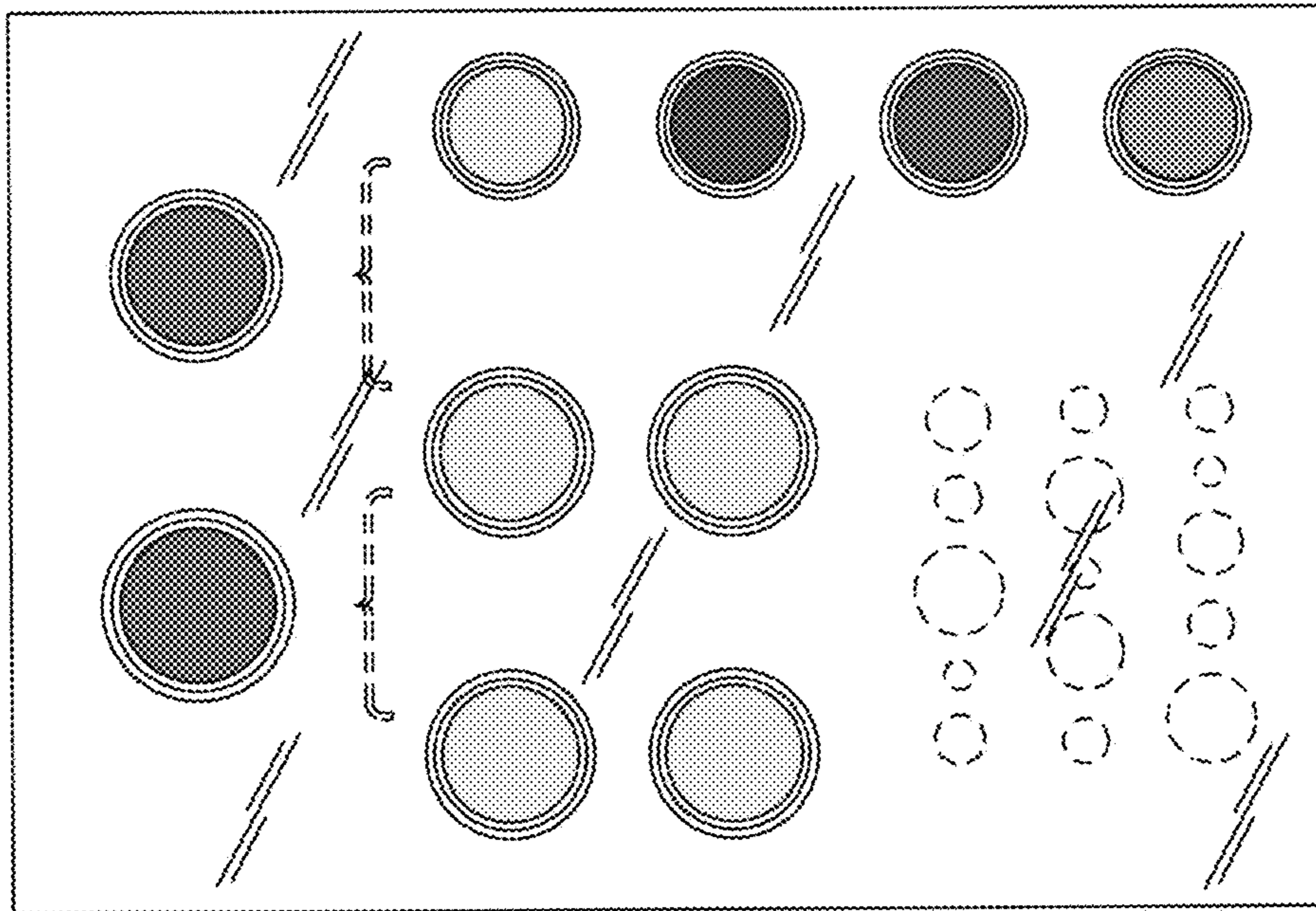


FIG. 9

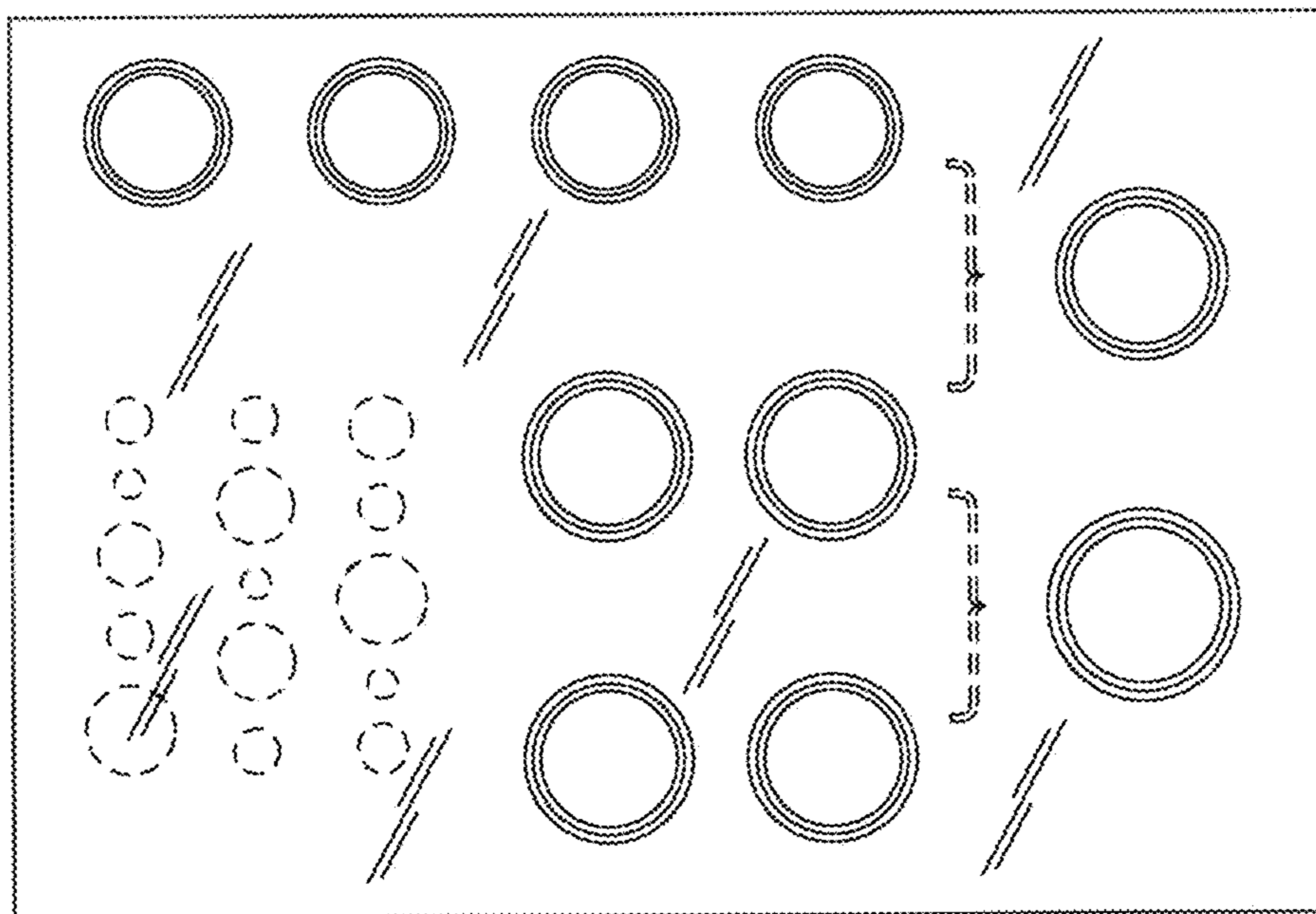


FIG. 10

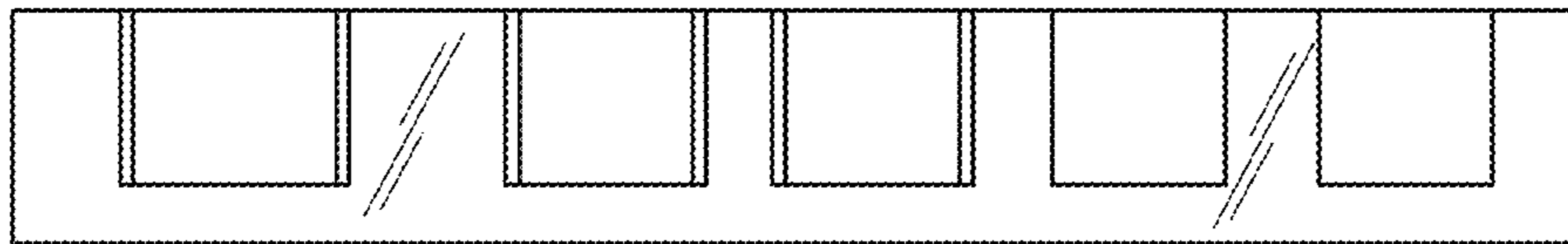


FIG. 11

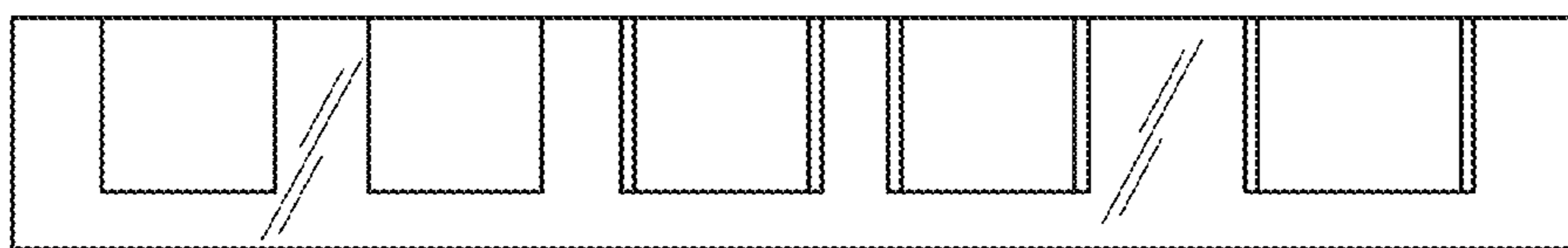


FIG. 12

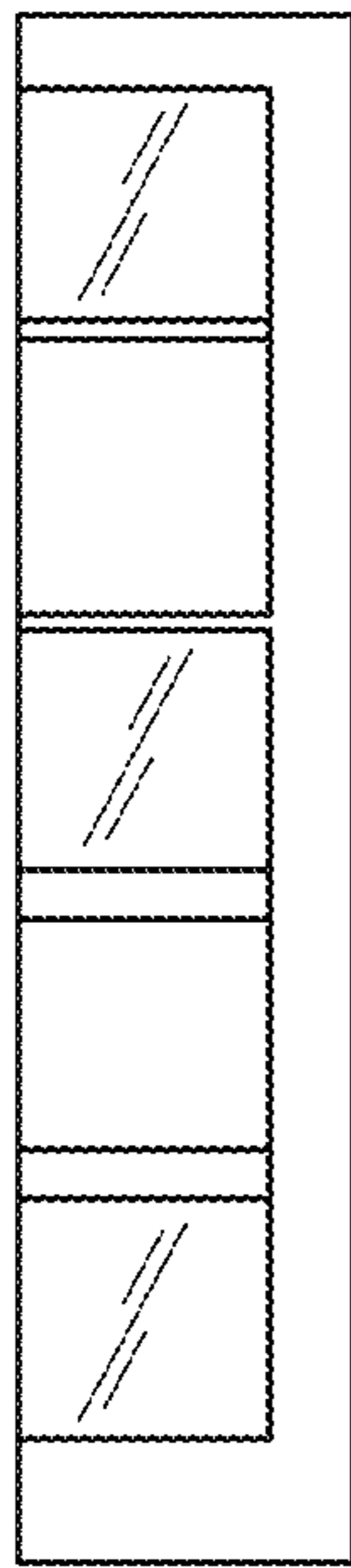


FIG. 13

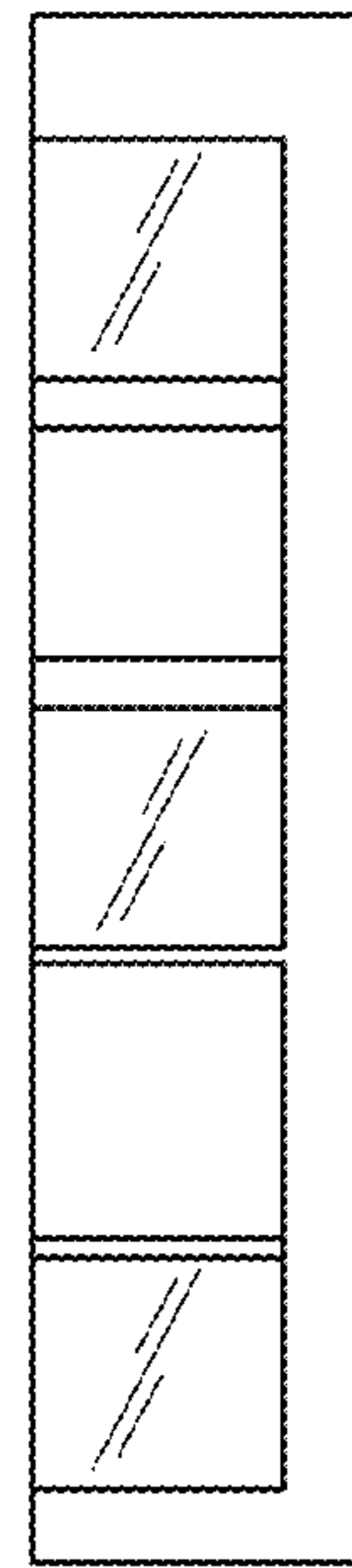


FIG. 14

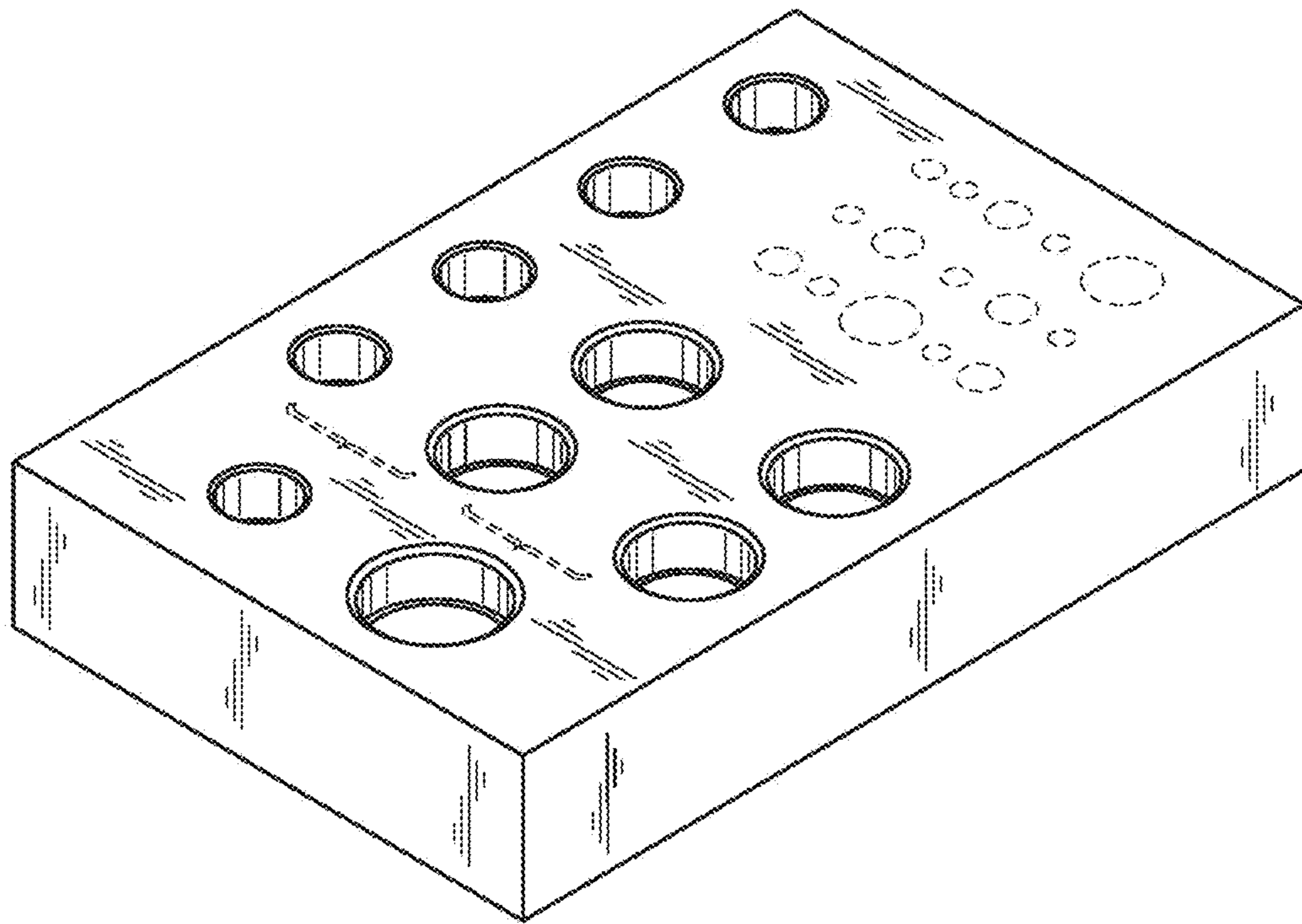


FIG. 15

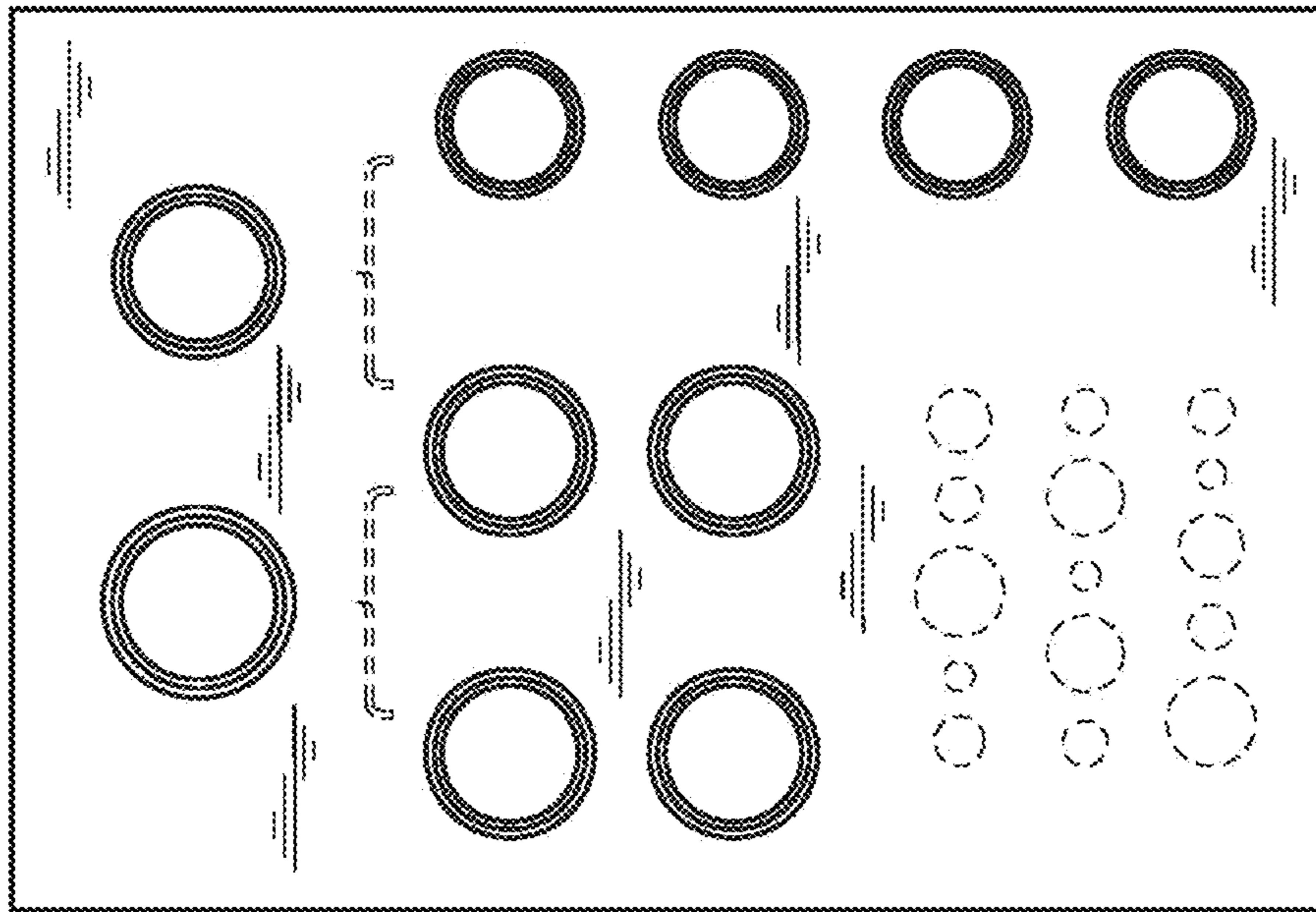


FIG. 16

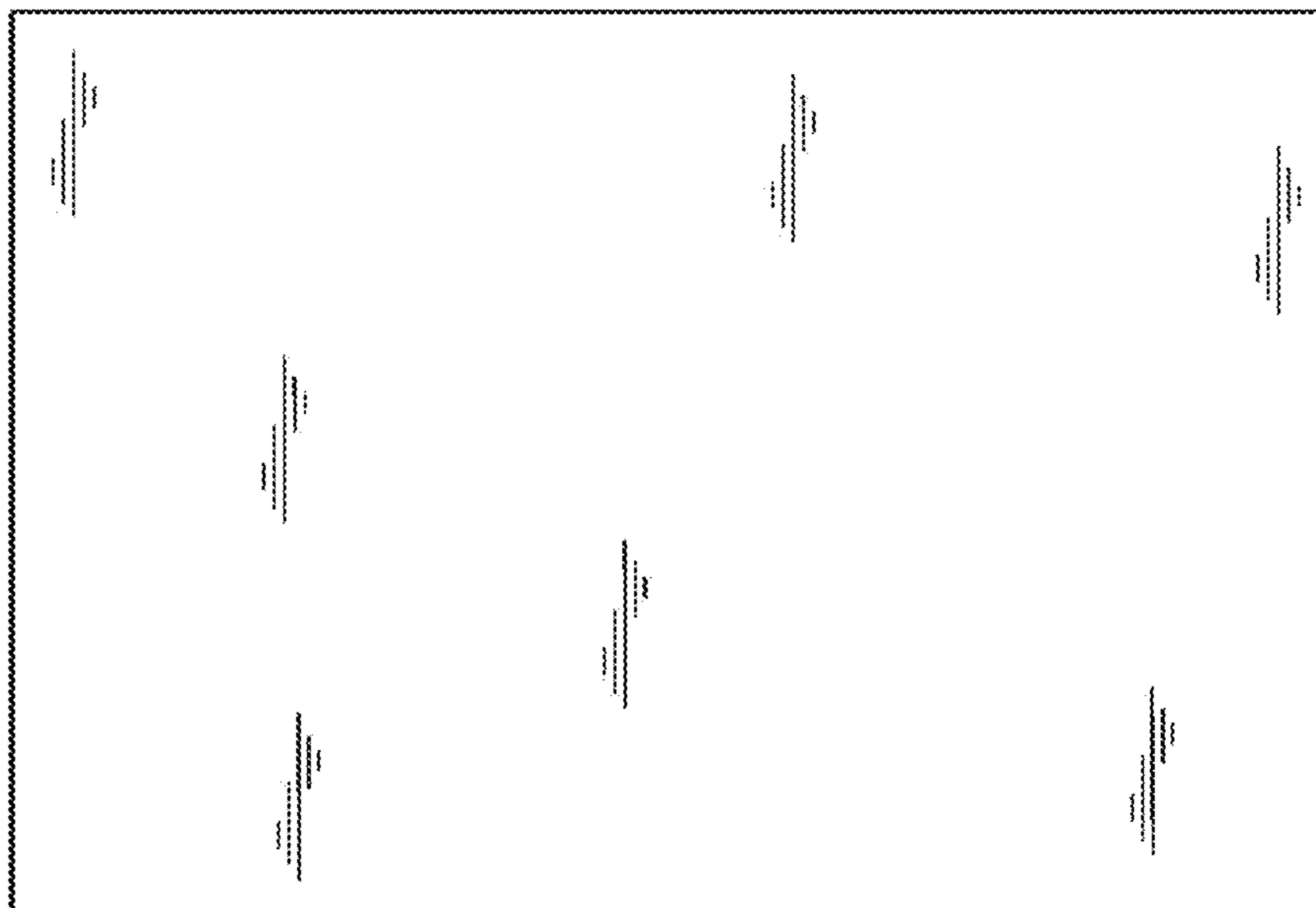


FIG. 17

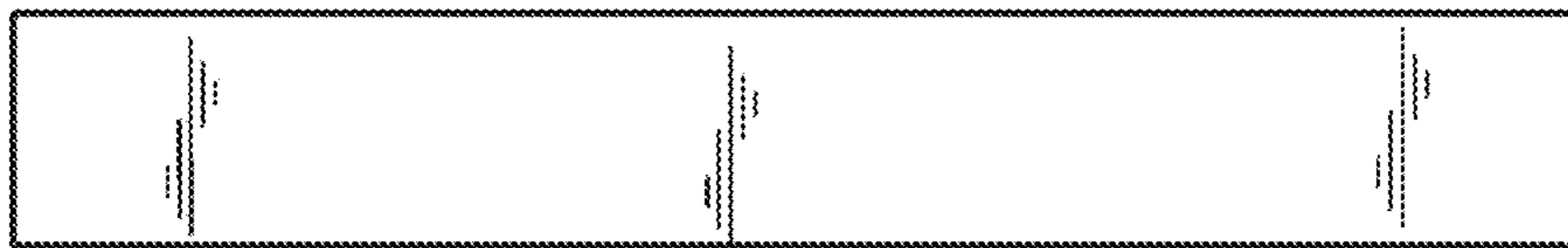


FIG. 18



FIG. 19

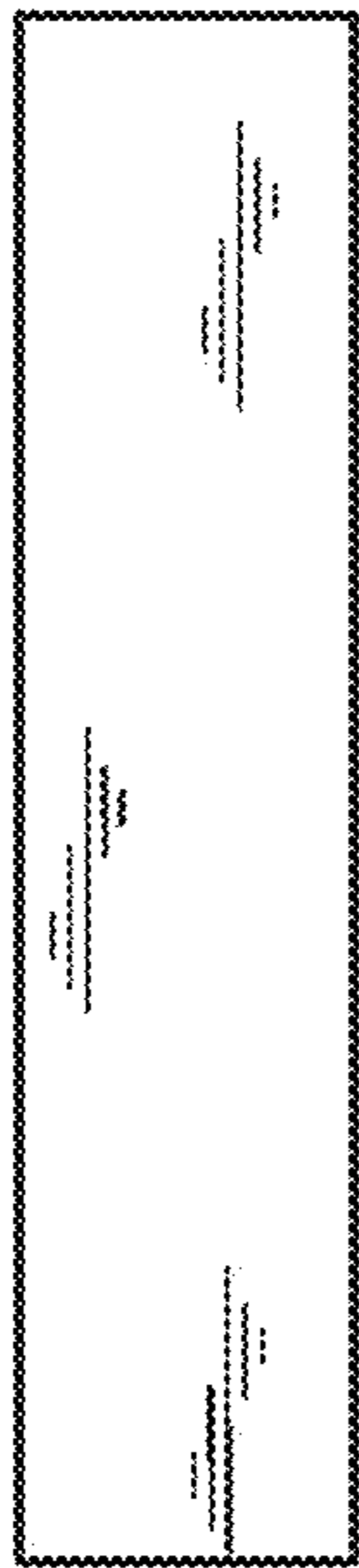


FIG. 20

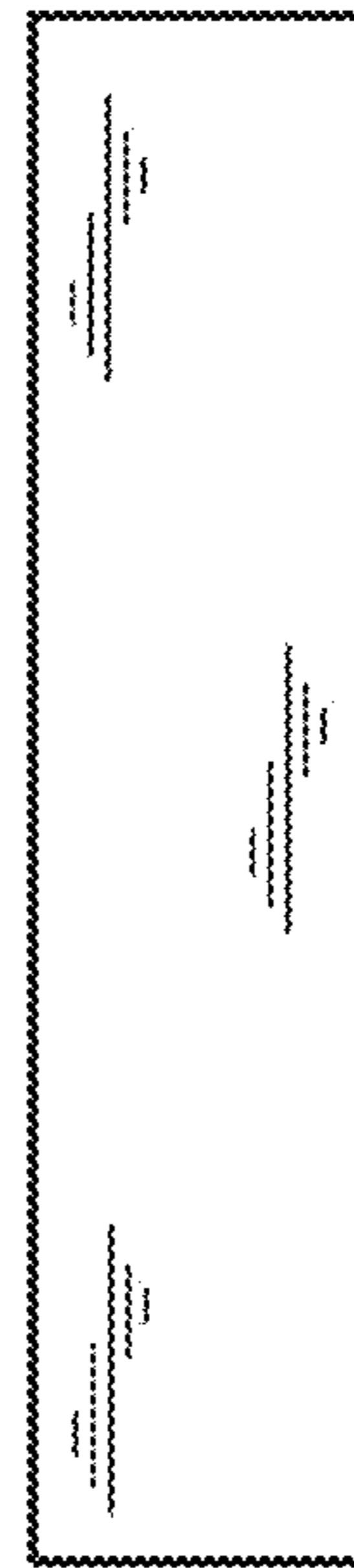


FIG. 21