



US00D814653S

(12) **United States Design Patent**
Shedlosky

(10) **Patent No.:** **US D814,653 S**

(45) **Date of Patent:** **** Apr. 3, 2018**

- (54) **SAMPLE TUBE HOLDER AND COMPONENTS THEREOF**
- (71) Applicant: **BECTON, DICKINSON AND COMPANY**, Franklin Lakes, NJ (US)
- (72) Inventor: **Alyssa Shedlosky**, Owings Mills, MD (US)
- (73) Assignee: **BECTON, DICKINSON AND COMPANY**, Franklin Lakes, NJ (US)
- (**) Term: **14 Years**
- (21) Appl. No.: **29/498,782**
- (22) Filed: **Aug. 7, 2014**
- (51) **LOC (11) Cl.** **24-02**
- (52) **U.S. Cl.**
USPC **D24/229**
- (58) **Field of Classification Search**
USPC D24/227-230, 216; 211/71.01, 72-74; 422/102, 63, 64, 104, 99
CPC A61J 1/12; A61J 1/00; A61J 1/065; A61J 1/067; A61M 5/008; B01L 9/06
See application file for complete search history.

- 6,063,341 A 5/2000 Fassbind et al.
D428,497 S * 7/2000 Lapeus D24/227
6,132,684 A 10/2000 Marino
6,254,826 B1 7/2001 Acosta et al.
D461,554 S * 8/2002 Lafond D24/227
6,432,366 B2 8/2002 Ruediger et al.
6,602,474 B1 8/2003 Tajima
6,640,981 B2 11/2003 Lafond et al.
D500,363 S 12/2004 Fanning et al.
D533,948 S * 12/2006 Schaub D24/229

(Continued)

FOREIGN PATENT DOCUMENTS

- EM 001055644-0001 1/2009
EP 0365828 A2 5/1990

(Continued)

Primary Examiner — Susan Bennett Hattan
Assistant Examiner — Rebecca Tsehaye
(74) *Attorney, Agent, or Firm* — Knobbe, Martens, Olson & Bear, LLP

(57) **CLAIM**

The ornamental design for a sample tube holder and components thereof, substantially as shown and described herein.

DESCRIPTION

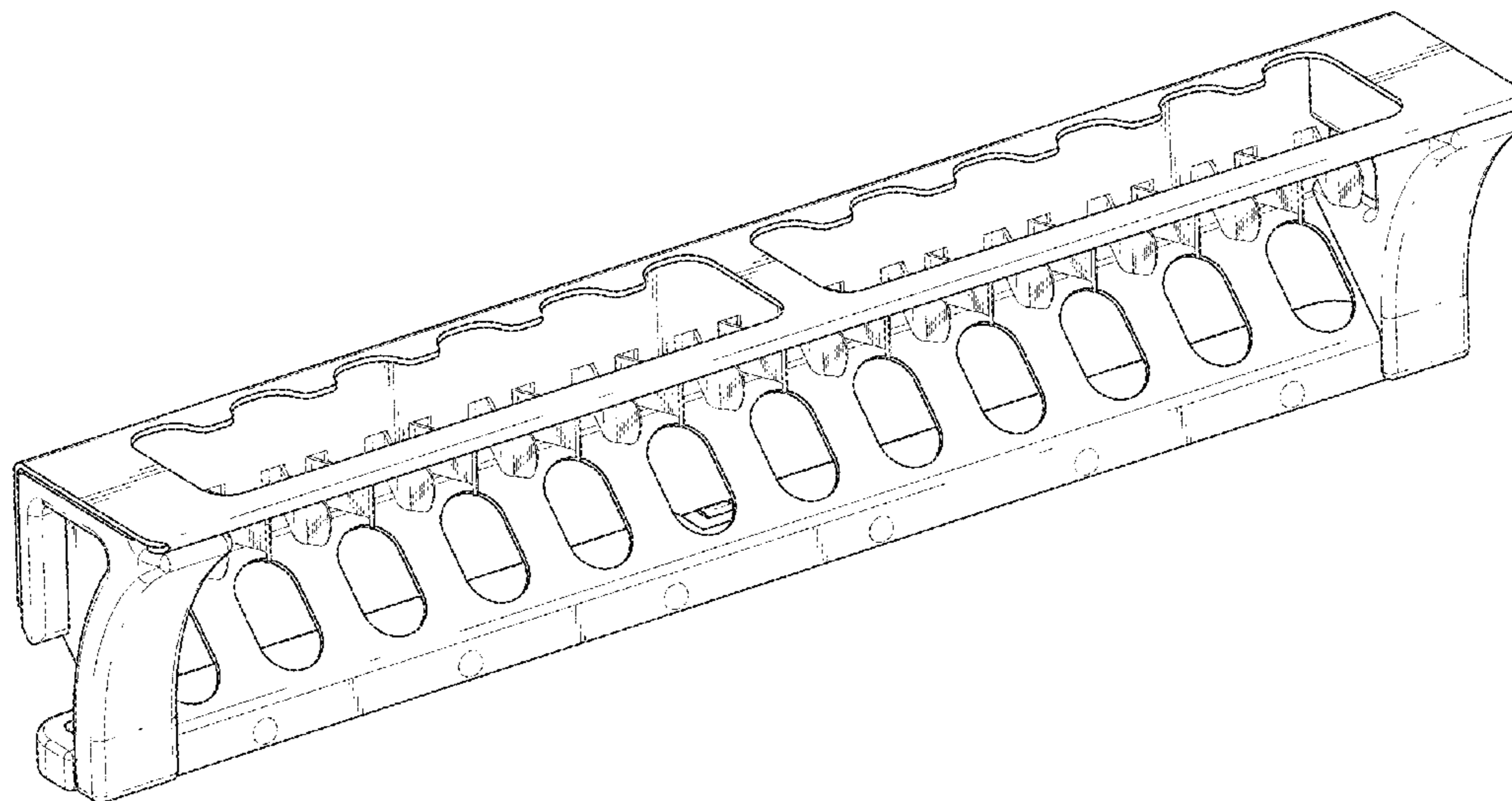
FIG. 1 is a front perspective view of a sample tube holder having a tray component showing the new design;
FIG. 2 is a back perspective view thereof;
FIG. 3 is a front plan view thereof;
FIG. 4 is a back plan view thereof;
FIG. 5 is a top plan view thereof;
FIG. 6 is a bottom plan view thereof;
FIG. 7 is a first side plan view thereof; and,
FIG. 8 is a second side plan view thereof.
Broken lines are used to illustrate features of the sample tube holder which form no part of the claimed design.

1 Claim, 5 Drawing Sheets

(56) **References Cited**

U.S. PATENT DOCUMENTS

- 3,905,772 A 9/1975 Hartnett et al.
4,647,432 A 3/1987 Wakatake
4,678,752 A 7/1987 Thorne et al.
5,007,535 A * 4/1991 Meseke A61M 5/008
206/363
5,186,339 A * 2/1993 Heissler B01L 9/06
206/443
5,217,694 A 6/1993 Gibler et al.
D382,346 S * 8/1997 Buhler D24/227
5,762,874 A 6/1998 Seaton et al.
D413,391 S * 8/1999 Lapeus D24/227
5,959,221 A 9/1999 Boyd et al.
D421,130 S * 2/2000 Cohen D24/229



(56)

References Cited

U.S. PATENT DOCUMENTS

7,276,208	B2	10/2007	Sevigny et al.	
D595,423	S *	6/2009	Johansson	D24/229
7,553,671	B2	6/2009	Sinclair et al.	
D620,605	S *	7/2010	Reitze	D24/227
7,910,067	B2 *	3/2011	Knight	B01L 9/06 211/71.01
D638,138	S *	5/2011	Wong	D24/227
D645,156	S *	9/2011	Reitze	D24/227
8,133,671	B2	3/2012	Williams et al.	
8,182,763	B2	5/2012	Duffy et al.	
D683,046	S *	5/2013	Yin	D24/230
2005/0064535	A1	3/2005	Favuzzi et al.	
2006/0133965	A1	6/2006	Tajima et al.	
2008/0075634	A1	3/2008	Herchenbach et al.	
2009/0129978	A1	5/2009	Wilson et al.	
2012/0051987	A1 *	3/2012	Johnson	B01L 9/06 422/562
2012/0258463	A1	10/2012	Duffy et al.	

FOREIGN PATENT DOCUMENTS

JP	S50-100881	8/1975
JP	S62-119460	5/1987
JP	04-053555 U	5/1992
JP	06-064156 U	9/1994
JP	H08-211071	8/1996
JP	H08-285859	11/1996
JP	H09-325151	12/1997
JP	3191150 B2	7/2001
JP	2006-167569	6/2006
WO	WO 2005/116202	12/2005

* cited by examiner

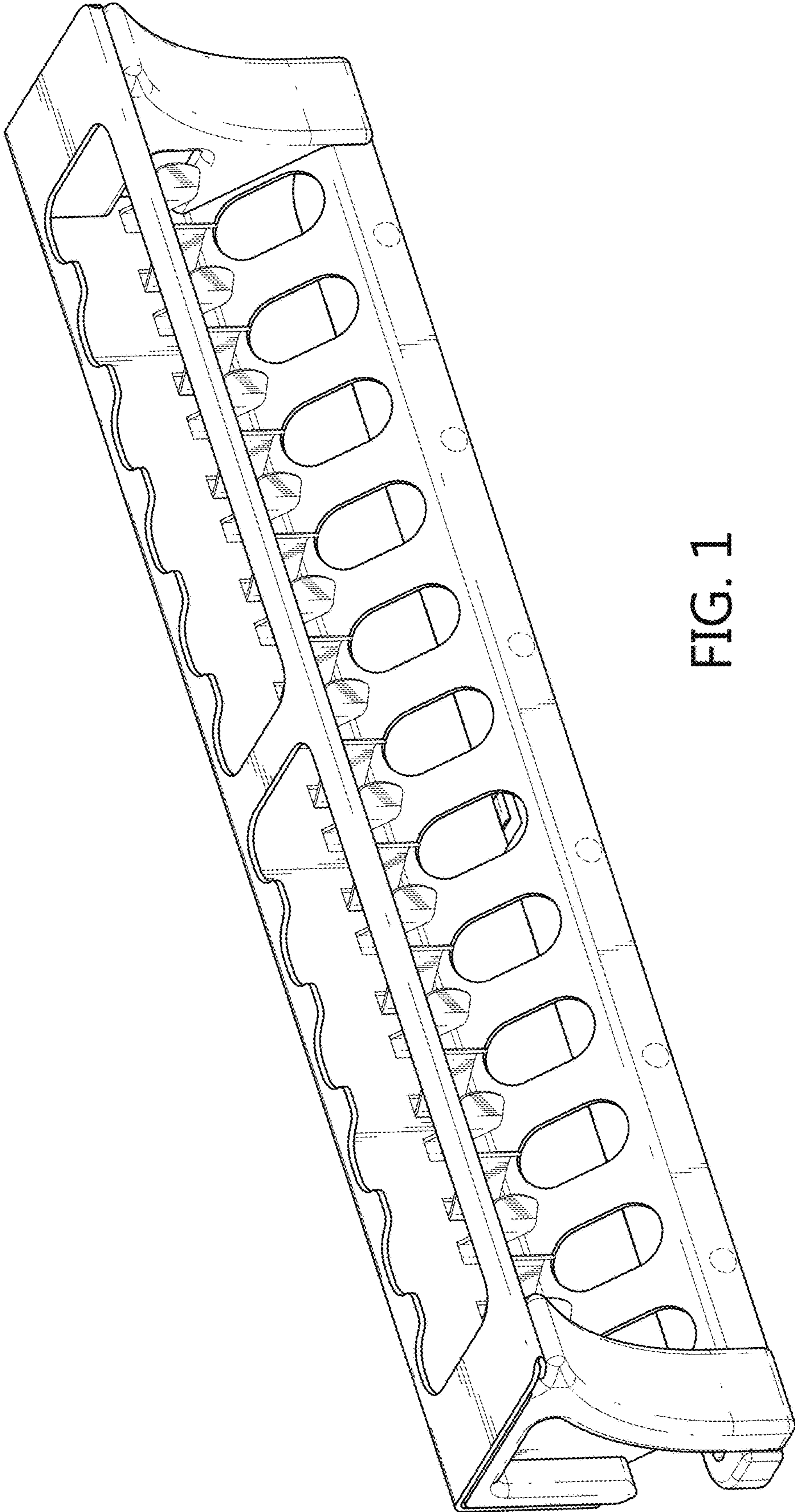


FIG. 1

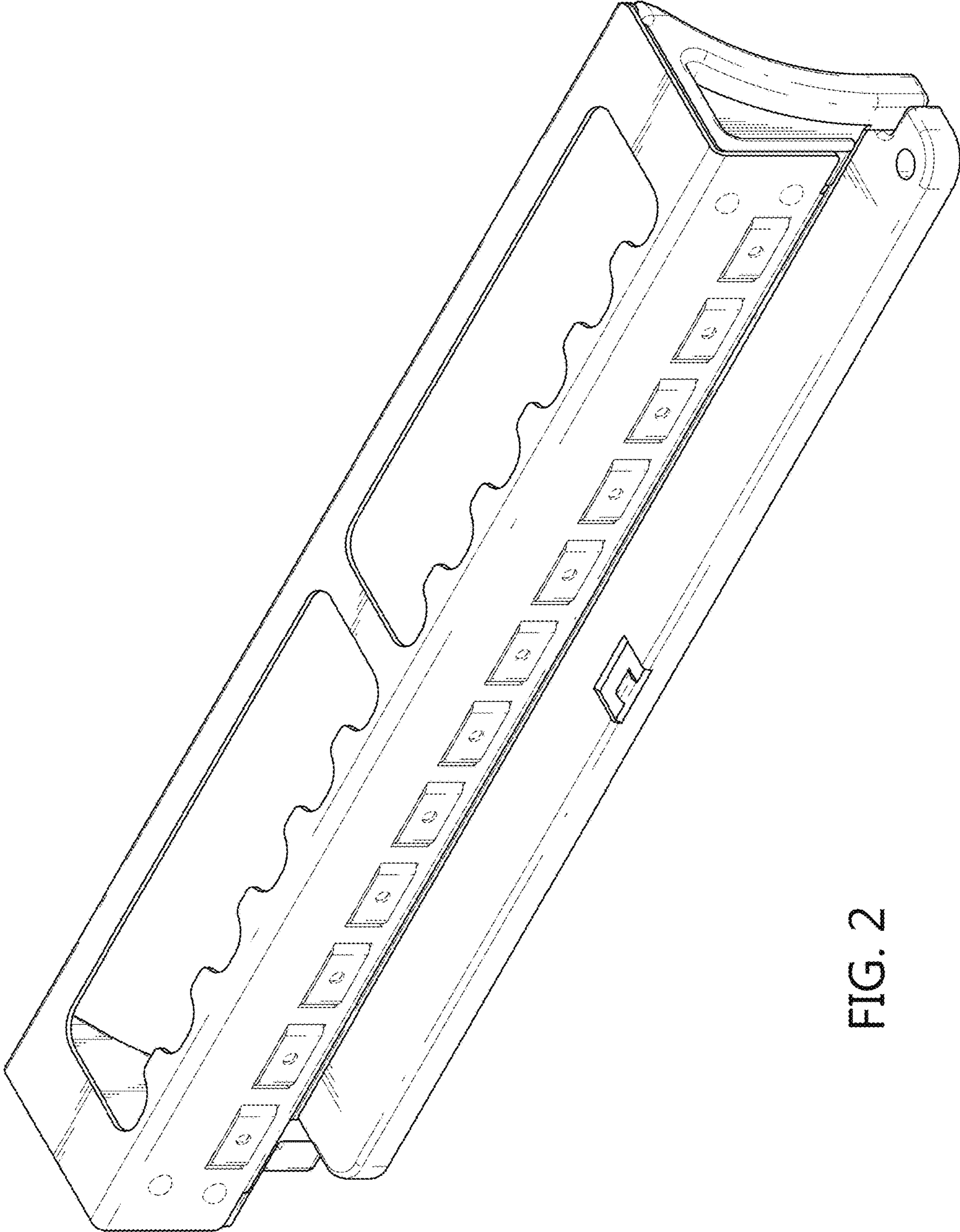


FIG. 2

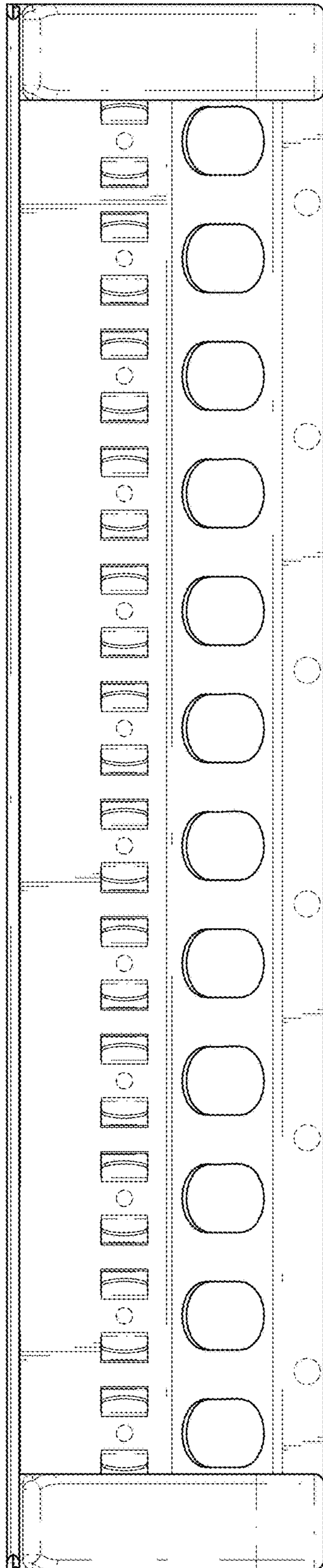


FIG. 3

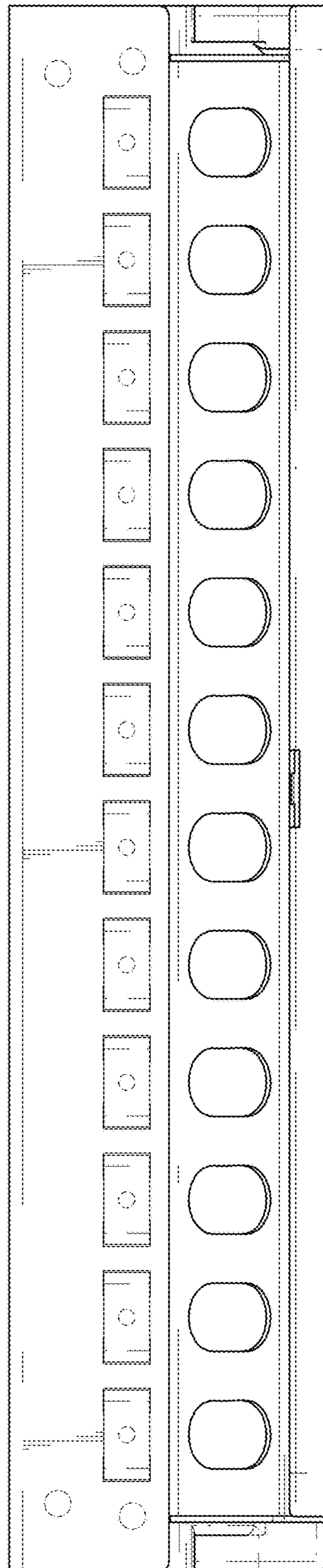


FIG. 4

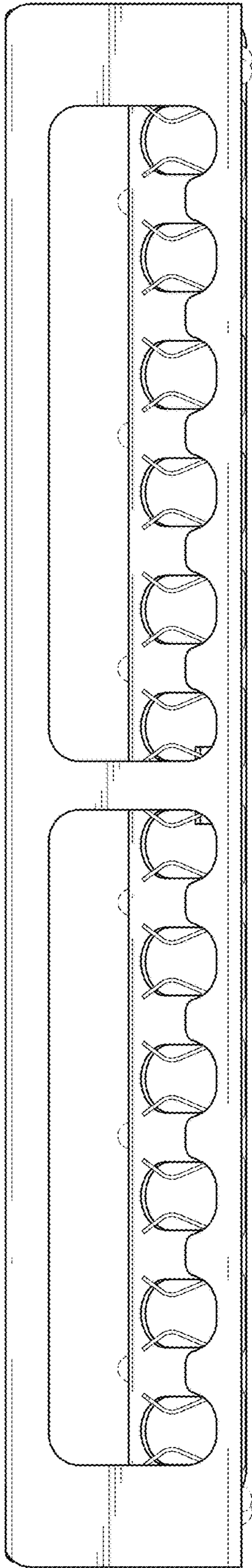


FIG. 5

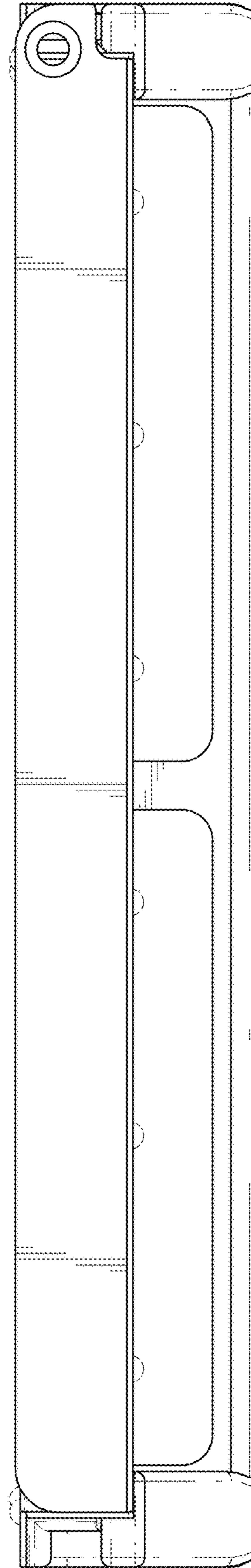


FIG. 6

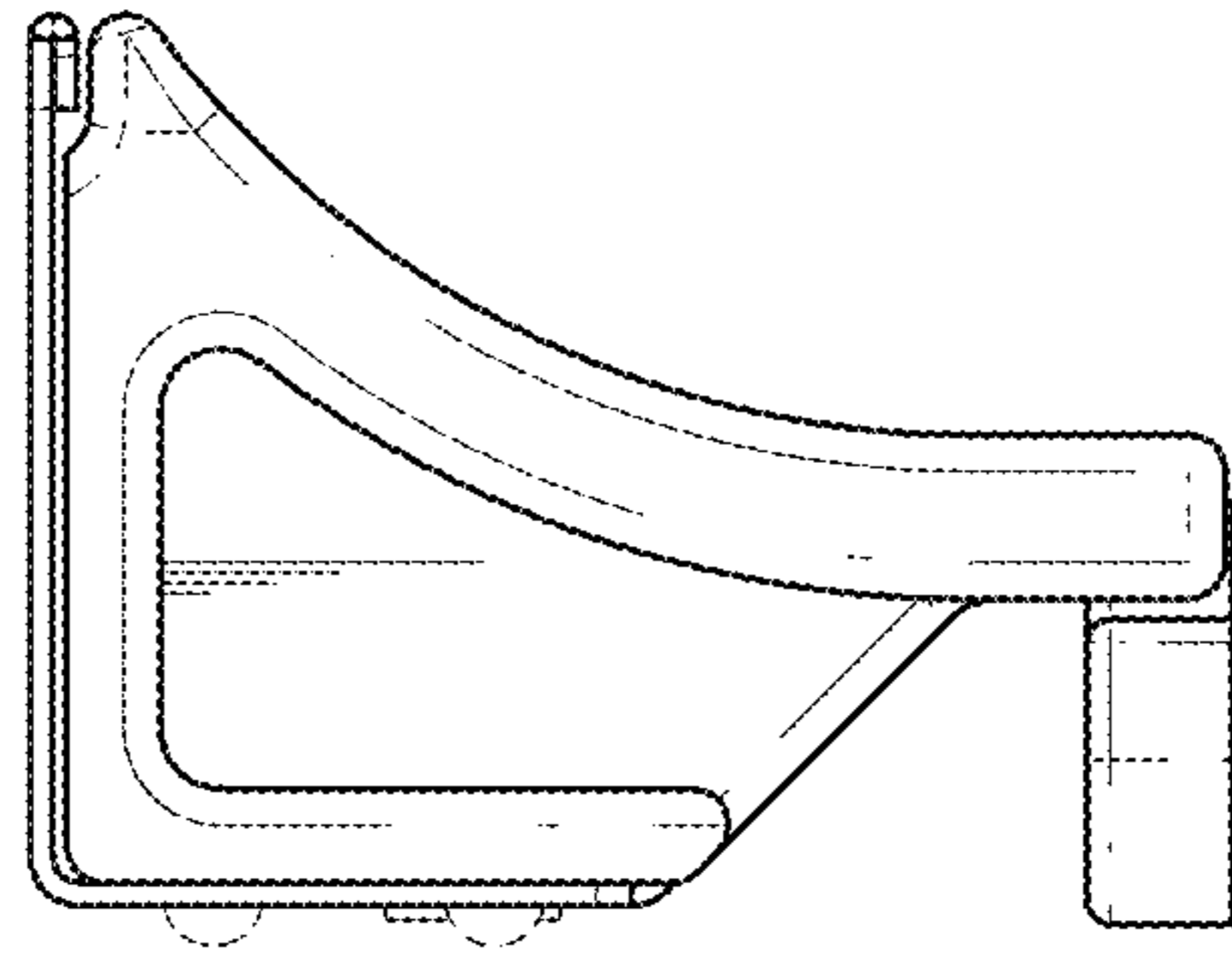


FIG. 8

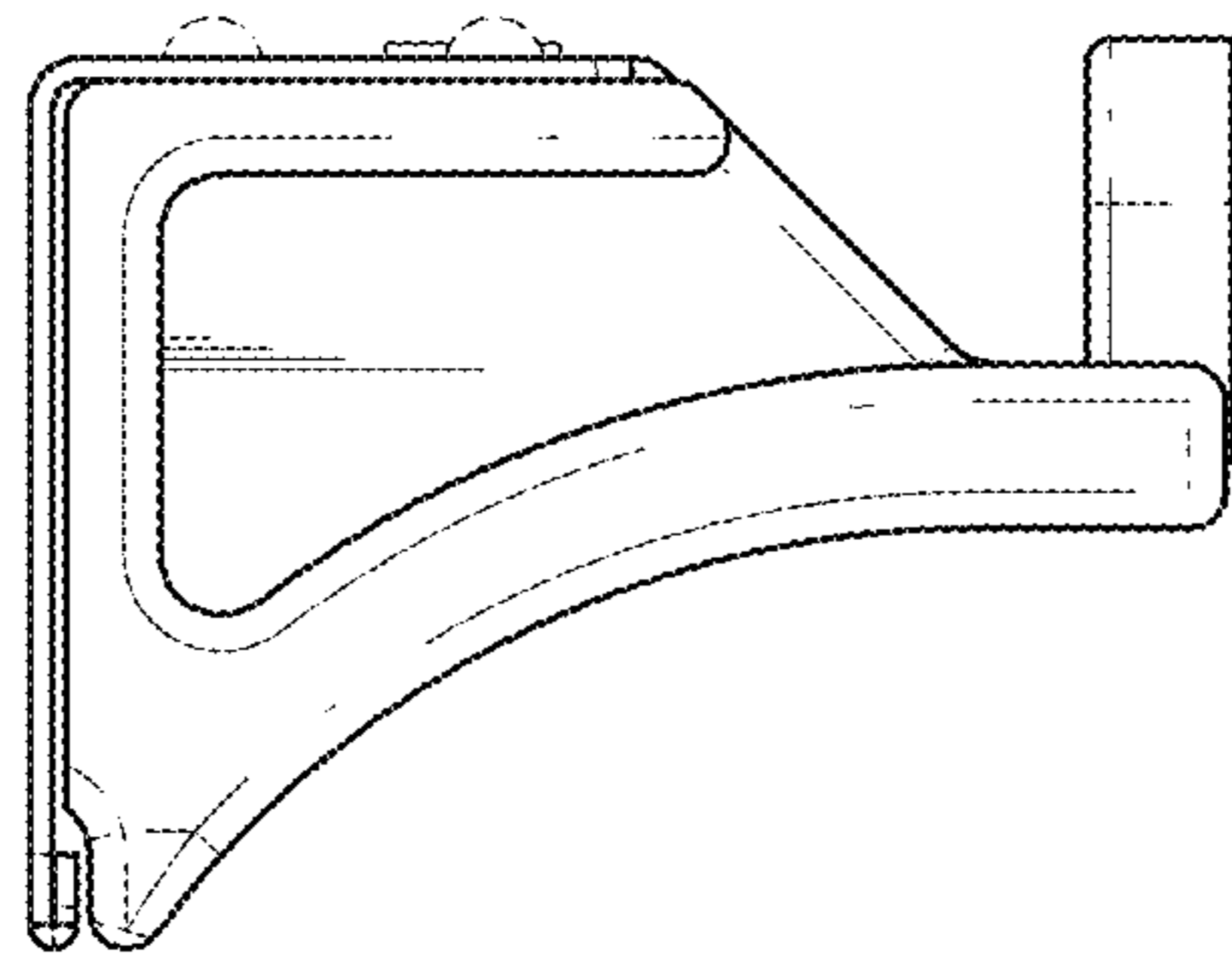


FIG. 7