



US00D814652S

(12) **United States Design Patent**
Buxton et al.

(10) **Patent No.:** **US D814,652 S**
(45) **Date of Patent:** **** Apr. 3, 2018**

(54) **CARTRIDGE**

33/558; G01N 33/54366; G01N 33/53;
G01N 33/5438; G01N 33/54386;

(71) Applicant: **SPARTAN BIOSCIENCE INC.**,
Ottawa (CA)

(Continued)

(72) Inventors: **Michael Buxton**, Cambridge (CA);
Chris Harder, Dunrobin (CA); **Joel**
Koscielski, Ottawa (CA); **Derek**
Glennie, Richmond (CA); **John Lem**,
Toronto (CA); **Lawrence Dickson**,
Almonte (CA)

(56) **References Cited**

U.S. PATENT DOCUMENTS

D470,595 S * 2/2003 Crisanti D24/216
6,783,736 B1 * 8/2004 Taylor B01L 3/502
422/554

(Continued)

(73) Assignee: **SPARTAN BIOSCIENCE IN.**, Ottawa
(CA)

Primary Examiner — Ian Simmons

Assistant Examiner — Mark Cavanna

(**) Term: **15 Years**

(74) *Attorney, Agent, or Firm* — Quarles & Brady LLP

(21) Appl. No.: **29/580,982**

(57) **CLAIM**

The ornamental design for a cartridge, as shown and
described.

(22) Filed: **Oct. 14, 2016**

(51) **LOC (11) Cl.** **24-02**

(52) **U.S. Cl.**
USPC **D24/224**

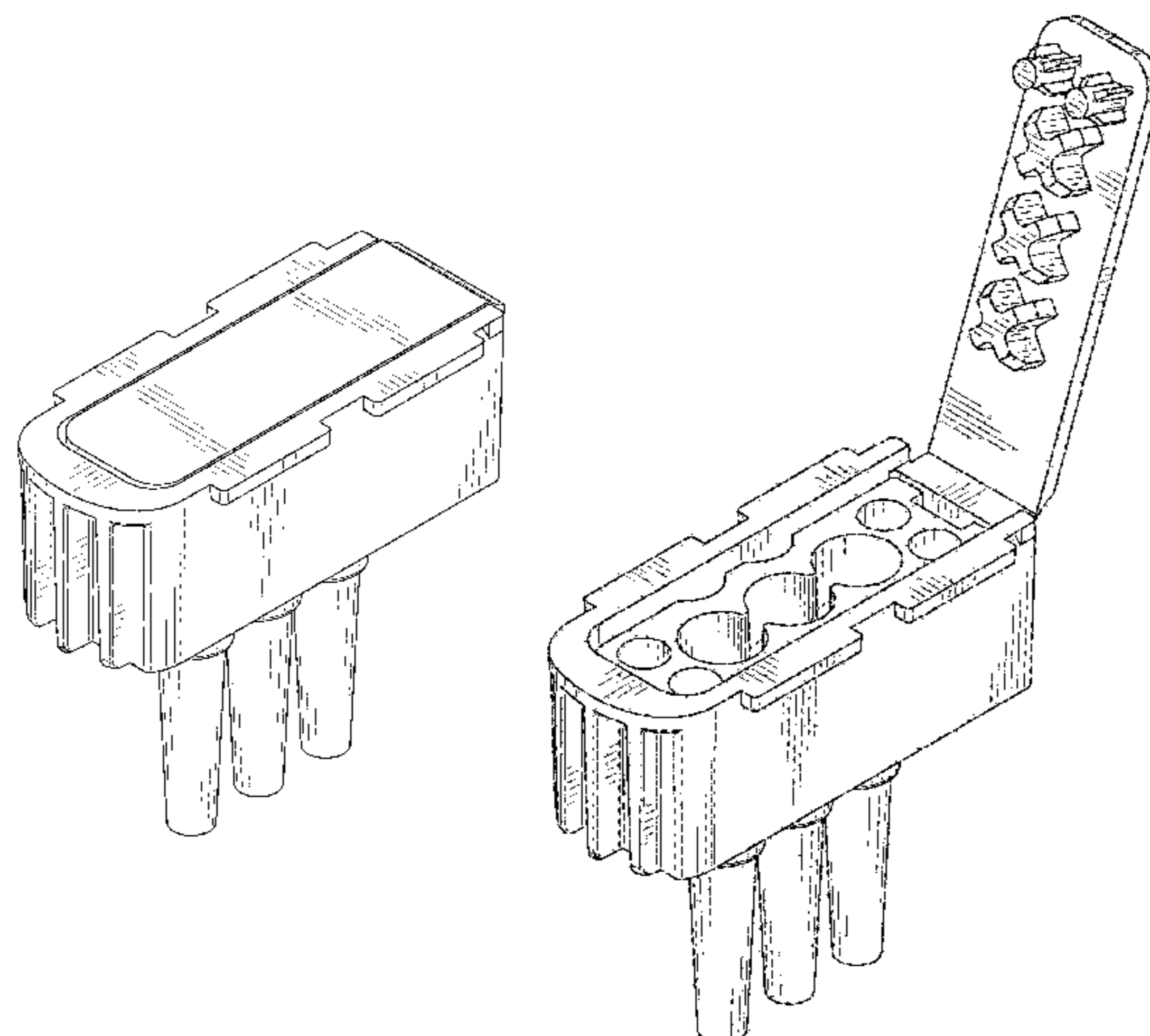
DESCRIPTION

(58) **Field of Classification Search**

USPC D24/169, 216, 223–227, 230, 232–233;
D10/81; 422/64, 68.1, 72–73, 400–401,
422/404, 408, 412, 417, 422, 500,
422/502–506, 552, 554, 559, 562;
436/165–166, 180, 501, 518; 435/283.1,
435/287.1, 287.2, 288.5, 288.7, 6.11,
435/289.1, 6.12, 29, 34, 4–5, 6.19, 7.1,
435/1.2; 204/403.01, 411, 450–453, 601;
356/246; 506/7, 9, 13, 18, 32, 33, 39;
73/864.91
CPC B01L 7/52; B01L 7/525; B01L 7/5255;
B01L 9/52; B01L 9/523; B01L 9/527;
B01L 3/00; B01L 3/0241; G01N 1/36;
G01N 15/1484; G01N 21/01; G01N
21/03; G01N 21/07; G01N 21/6428;
G01N 21/8483; G01N 21/00029; G01N
21/6452; G01N 21/6458; G01N 21/78;
G01N 21/253; G01N 21/658; G01N
27/4145; G01N 27/44717; G01N 33/00;
G01N 33/00029; G01N 33/94; G01N

FIG. 1 is a perspective view of the cartridge, with the lid in
a closed position showing our new design;
FIG. 2 is a front view of the cartridge of FIG. 1;
FIG. 3 is a rear view of the cartridge of FIG. 1;
FIG. 4 is a left side view of the cartridge of FIG. 1;
FIG. 5 is a right side view of the cartridge of FIG. 1;
FIG. 6 is a top view of the cartridge of FIG. 1;
FIG. 7 is a bottom view of the cartridge of FIG. 1;
FIG. 8 is a perspective view of the cartridge of FIG. 1, with
the lid in an open position;
FIG. 9 is a front view of the cartridge of FIG. 8;
FIG. 10 is a rear view of the cartridge of FIG. 8;
FIG. 11 is a left side view of the cartridge of FIG. 8;
FIG. 12 is a right side view of the cartridge of FIG. 8;
FIG. 13 is a top view of the cartridge of FIG. 8; and,
FIG. 14 is a bottom view of the cartridge of FIG. 8.
The broken lines are included for the purpose of illustrating
unclaimed portions of the cartridge and form no part of the
claimed design.

1 Claim, 9 Drawing Sheets



(58) Field of Classification Search

CPC G01N 33/5302; A61B 10/0045; A61B 10/0096; A01N 1/0247; B01D 19/0031; B01J 19/0046; B01J 19/0093; B29C 66/61; C12M 23/16; C12Q 1/40; C12Q 1/686; C12Q 1/6813; C12Q 1/6837
See application file for complete search history.

8,663,582 B2 * 3/2014 Kuan B01L 3/5085
422/554
D702,364 S * 4/2014 Iqbal D24/225
8,747,774 B2 * 6/2014 Doyle B01L 3/5055
422/402
8,797,527 B2 * 8/2014 Hukari G01N 21/01
356/246
8,940,231 B2 * 1/2015 Hiramatsu B01L 3/545
422/62
8,992,865 B2 * 3/2015 Bosma A61B 10/0096
422/402
D731,671 S * 6/2015 Gruner D24/224
D732,186 S * 6/2015 Burroughs D24/226
D734,482 S * 7/2015 Peterman D24/216
D735,877 S * 8/2015 Chang D24/216
9,222,954 B2 * 12/2015 Lentz B01L 3/527
9,377,475 B2 * 6/2016 Emeric B01L 3/50273
9,475,052 B2 * 10/2016 Tachibana B01L 7/525
D771,833 S * 11/2016 Leaver D24/224
D772,427 S * 11/2016 Leaver D24/224
9,494,501 B2 * 11/2016 Durack B01L 3/502753
9,701,957 B2 * 7/2017 Wilson C12Q 1/6813
2003/0180815 A1 * 9/2003 Rawson G01N 33/558
435/287.2
2006/0120926 A1 * 6/2006 Takada B01L 3/50853
422/400
2007/0116612 A1 * 5/2007 Williamson, IV . A61B 10/0096
422/400
2011/0034758 A1 * 2/2011 Shany A61B 10/0045
435/287.1
2013/0052748 A1 * 2/2013 Campbell G01N 33/558
436/501
2013/0130262 A1 * 5/2013 Battrell B01L 3/50273
435/6.12
2013/0183769 A1 * 7/2013 Tajima G01N 21/03
436/165
2013/0196371 A1 * 8/2013 Freeland G01N 1/36
435/40.52
2013/0280698 A1 * 10/2013 Propper G01N 33/5302
435/5
2014/0017124 A1 * 1/2014 Lee B01L 3/502
422/69
2016/0375438 A1 * 12/2016 Marcy B01L 3/502738
506/39

(56) References Cited

U.S. PATENT DOCUMENTS

6,818,185 B1 * 11/2004 Petersen B01L 3/502
422/500
D531,321 S * 10/2006 Godfrey D24/225
D565,742 S * 4/2008 Parunak D24/224
D566,291 S * 4/2008 Parunak D24/224
7,455,813 B2 * 11/2008 Anderson G01N 33/94
422/411
7,550,289 B2 * 6/2009 Cheng B01L 7/52
435/287.2
7,674,615 B2 * 3/2010 Ramel B01L 3/5023
435/287.1
D618,820 S * 6/2010 Wilson D24/227
7,727,371 B2 * 6/2010 Kennedy B01L 9/527
204/600
7,727,472 B2 * 6/2010 Nagaoka G01N 21/07
422/68.1
D621,060 S * 8/2010 Handique D24/225
D633,209 S * 2/2011 Boessneck D24/169
7,888,130 B2 * 2/2011 Wuske B01L 3/5023
422/403
7,927,564 B2 * 4/2011 McCormick G01N 1/36
422/561
D663,434 S * 7/2012 Cao D24/216
D668,350 S * 10/2012 Rowley D24/225
D668,779 S * 10/2012 Khan D24/225
D669,597 S * 10/2012 Cavada D24/216
D672,881 S * 12/2012 Kraihanzel D24/224
D672,882 S * 12/2012 Wiltsie D24/224
D686,311 S * 7/2013 Mori D24/108
D692,578 S * 10/2013 Kikuhara D24/216
D700,711 S * 3/2014 Kikuhara D24/216

* cited by examiner

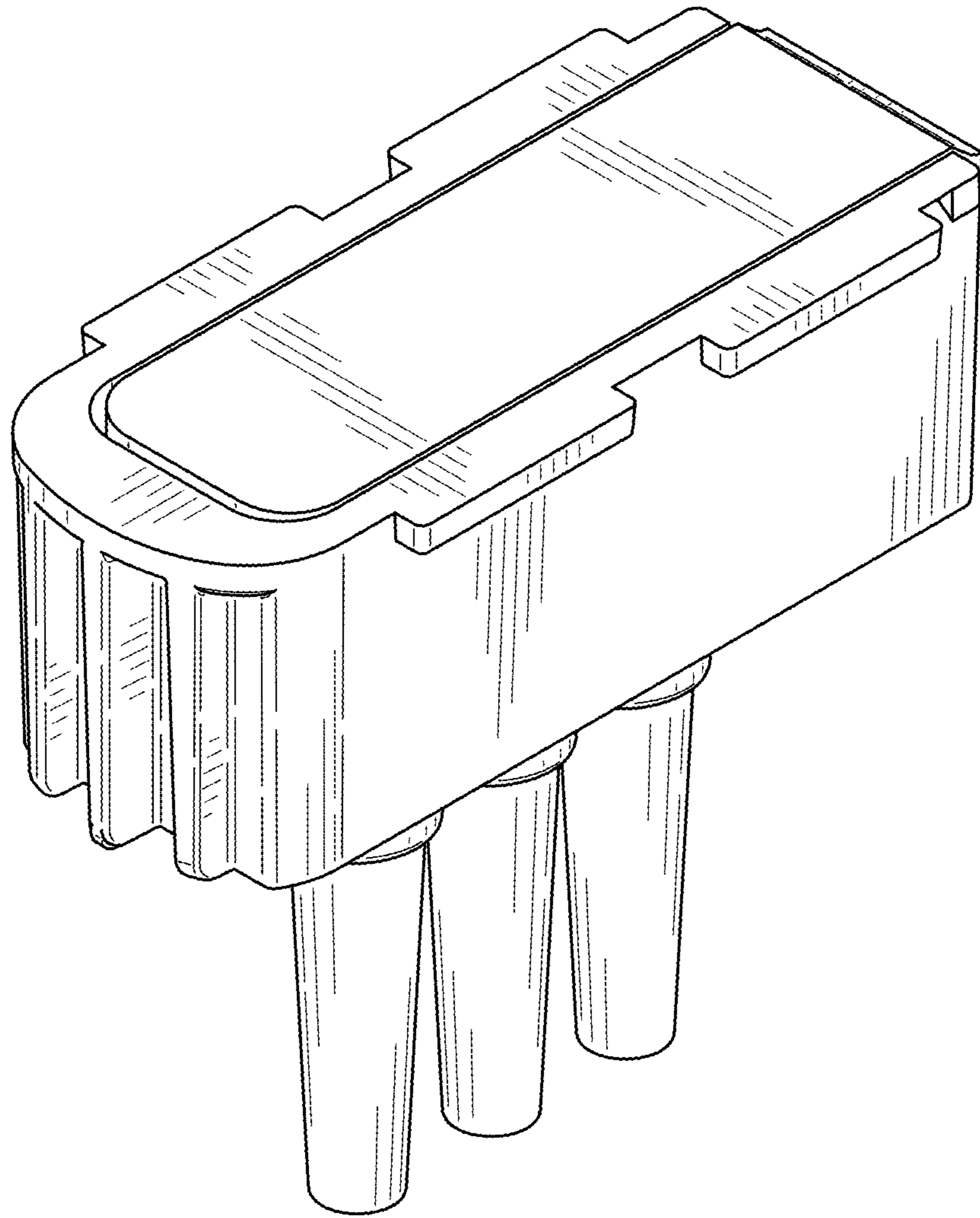


FIG. 1

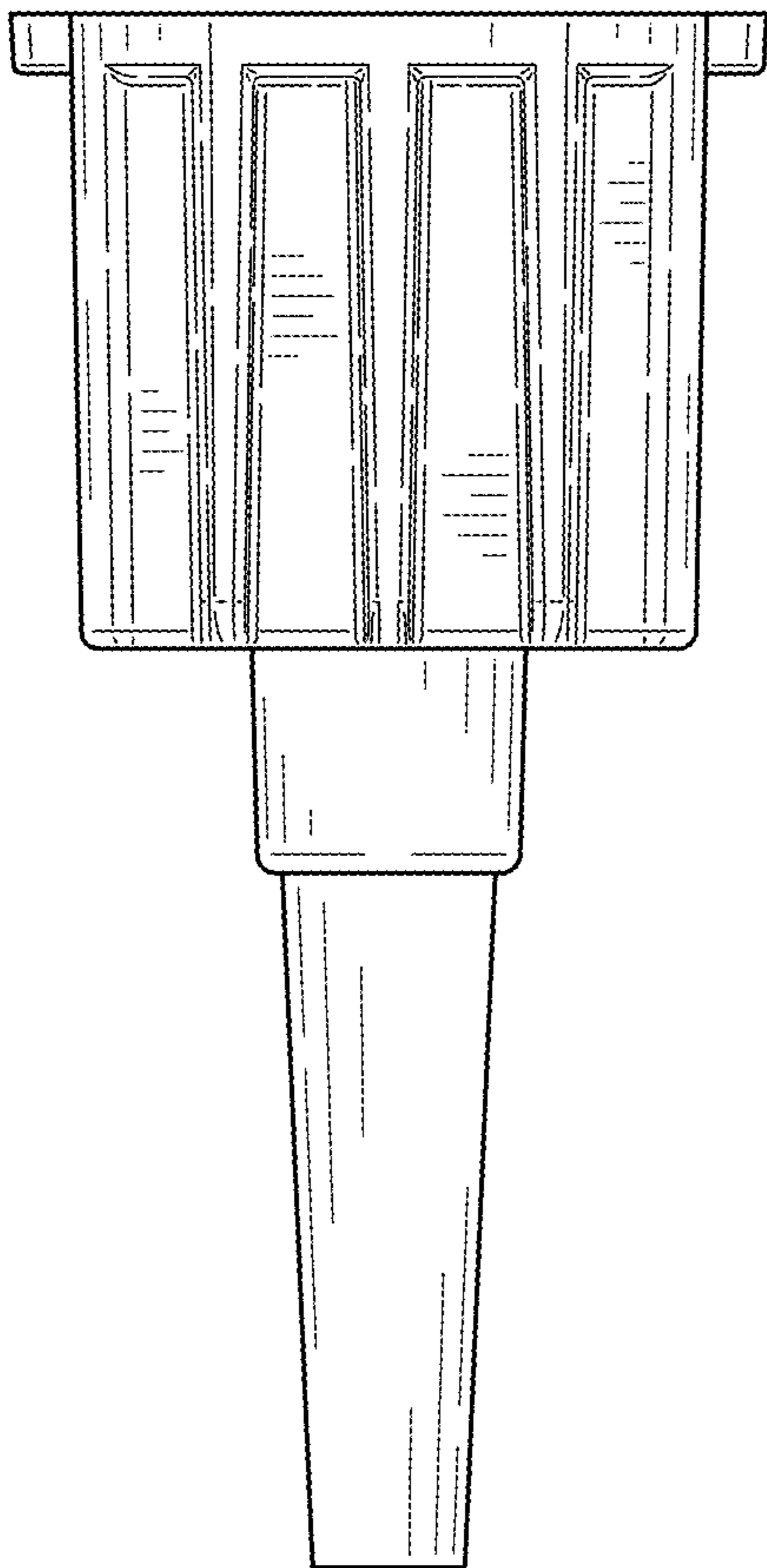


FIG. 2

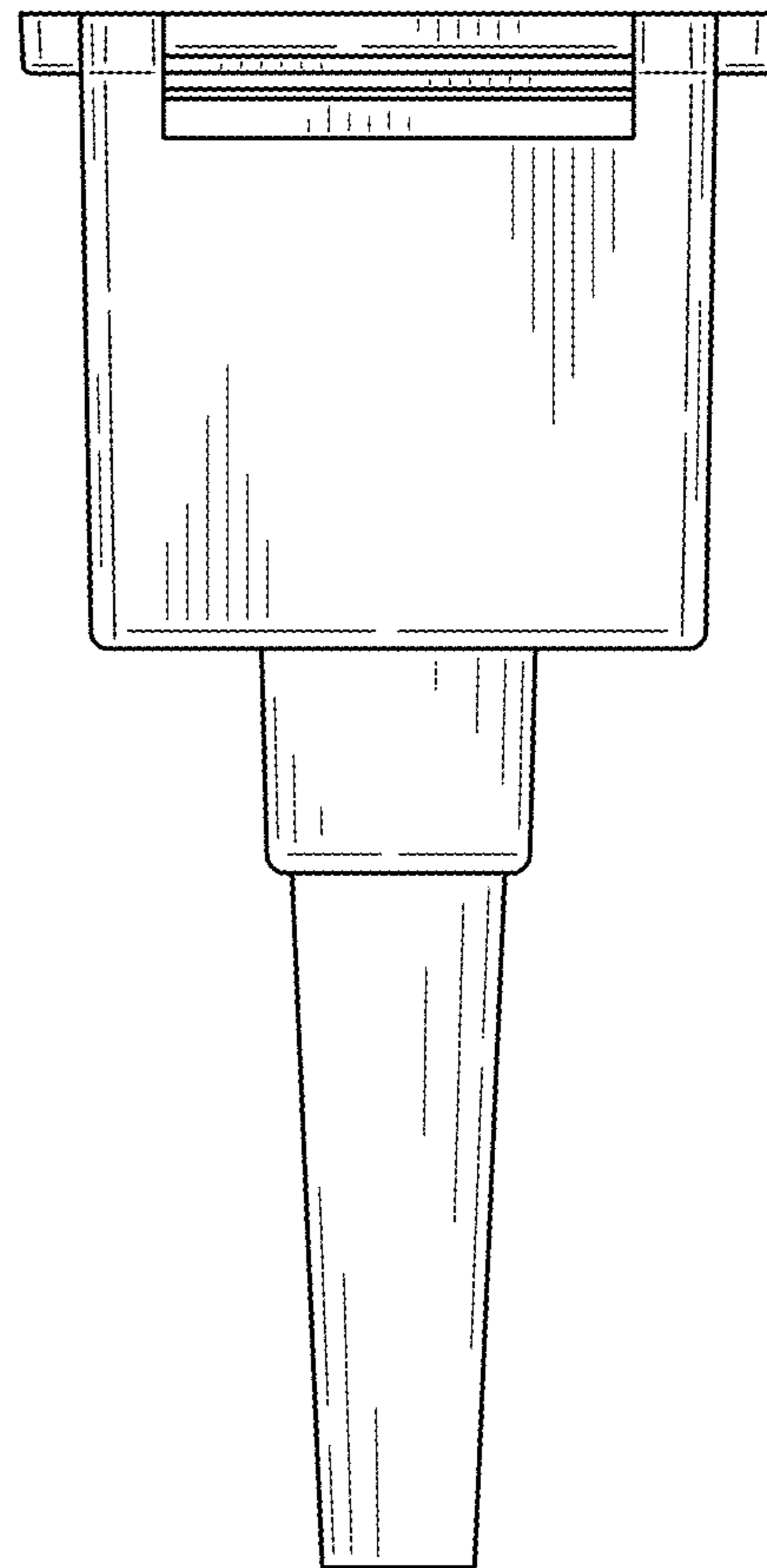


FIG. 3

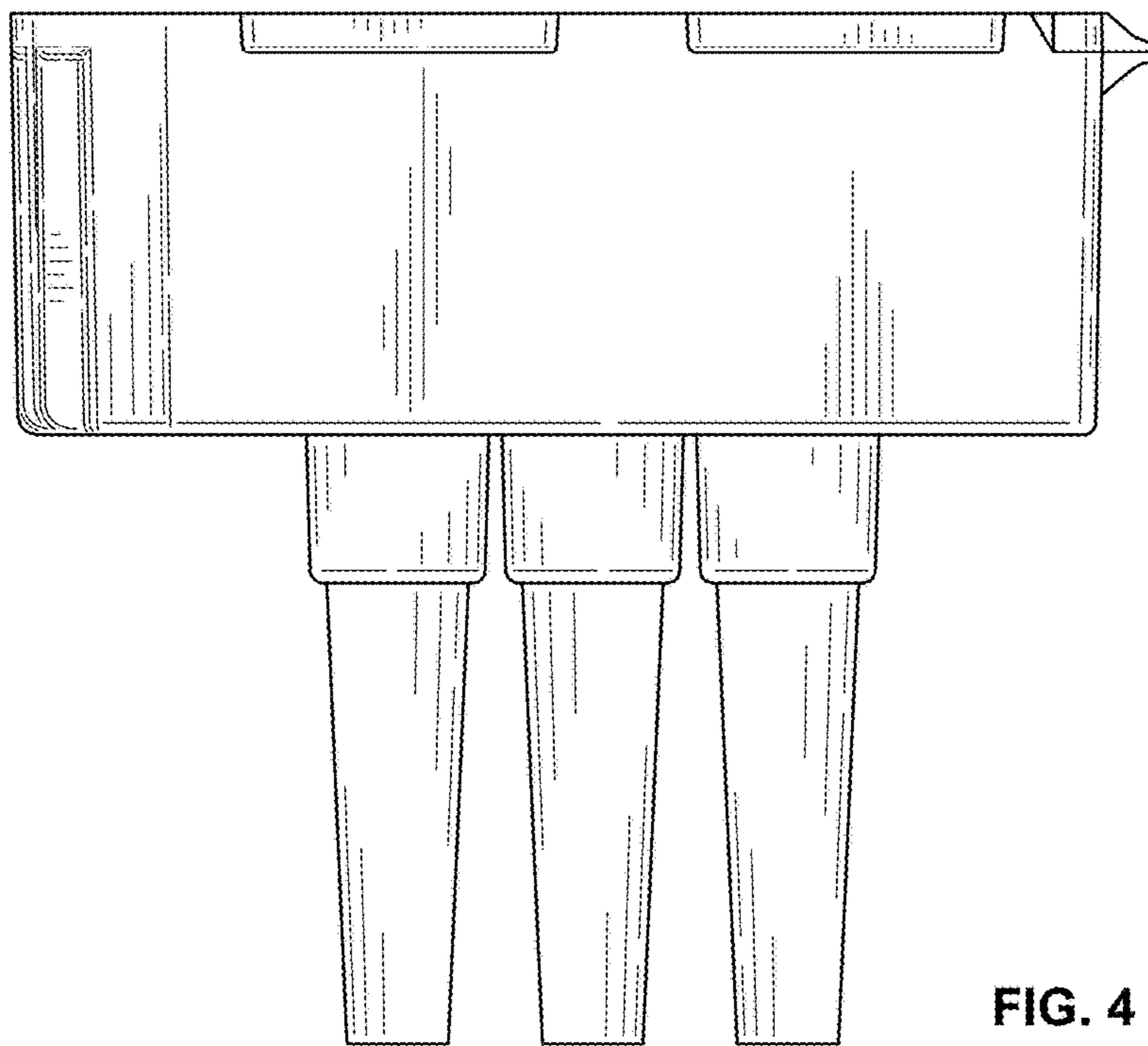


FIG. 4

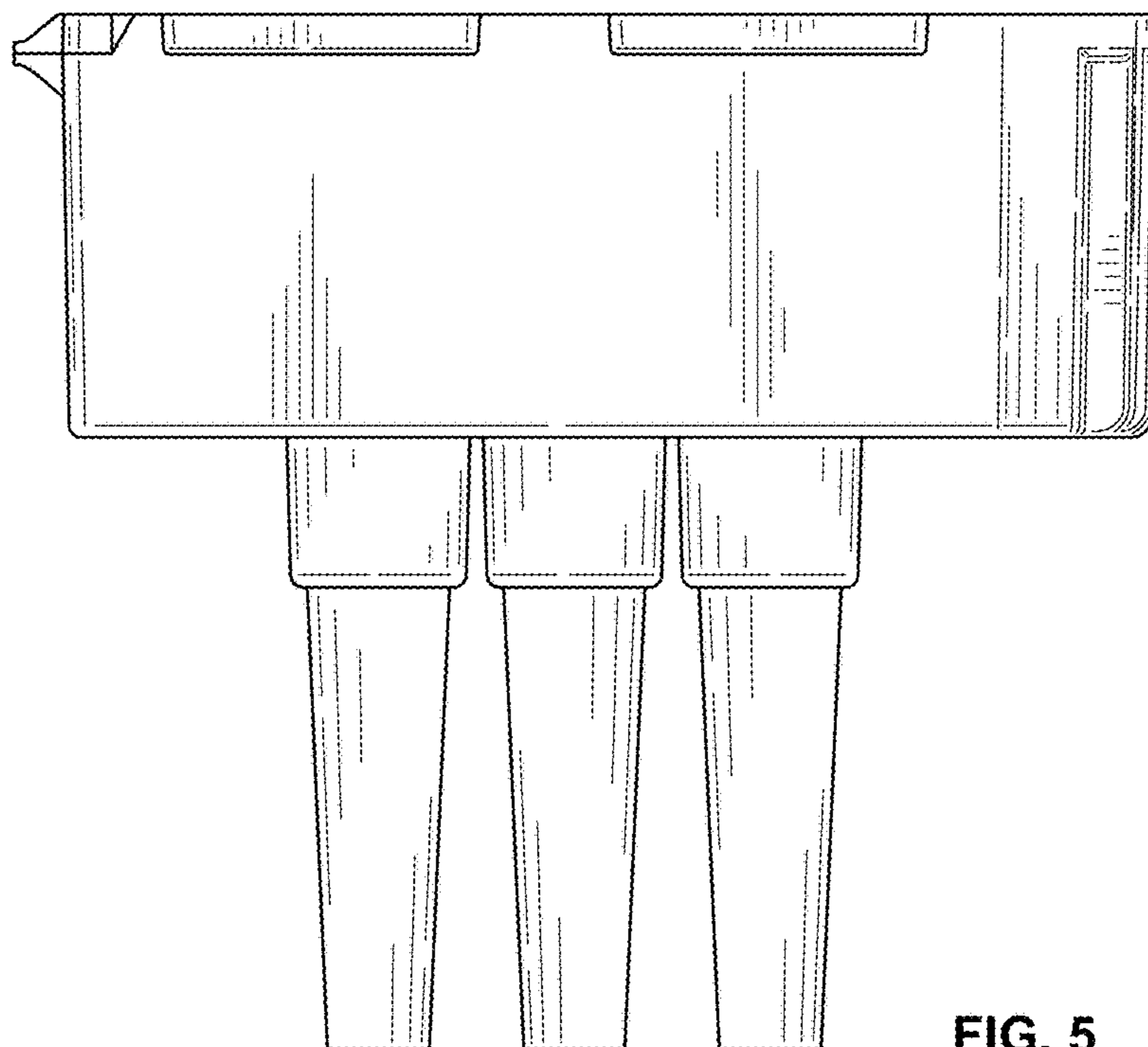


FIG. 5

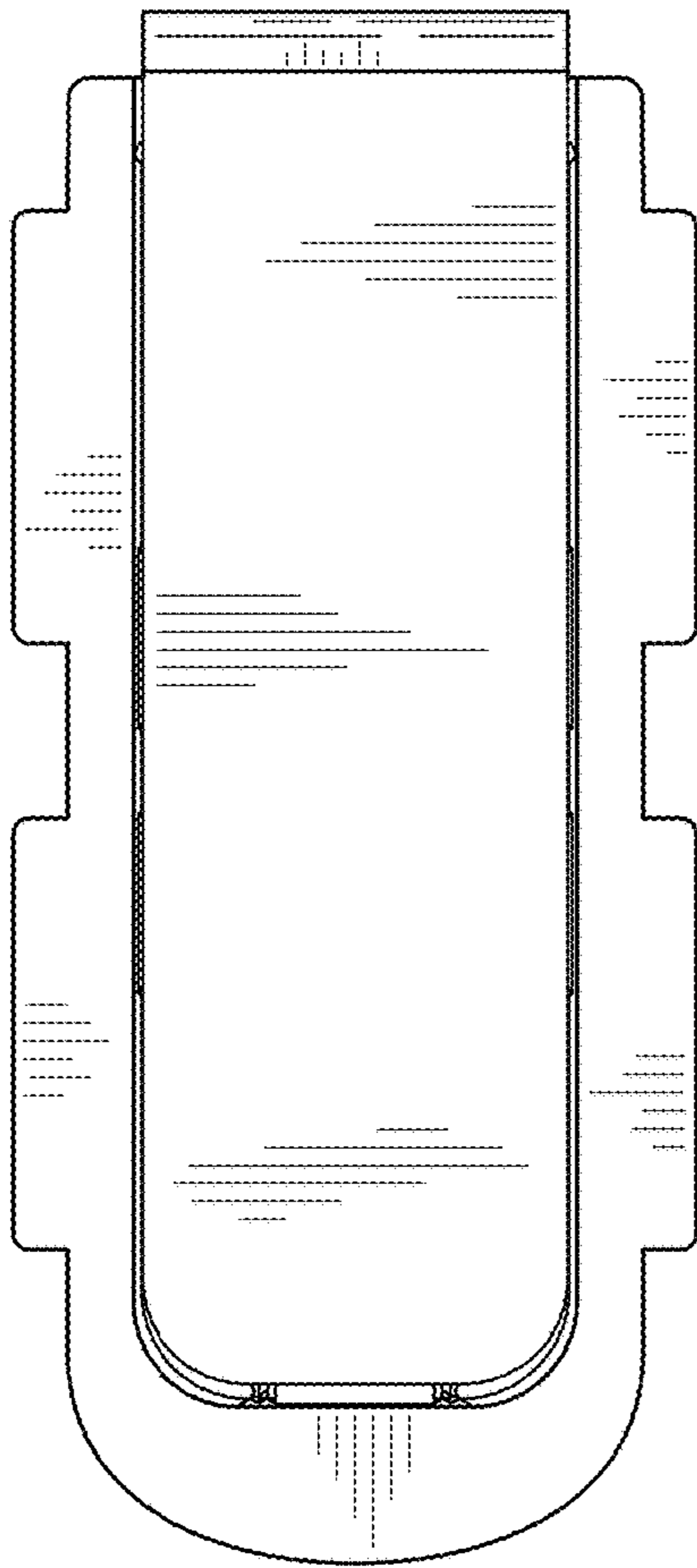


FIG. 6

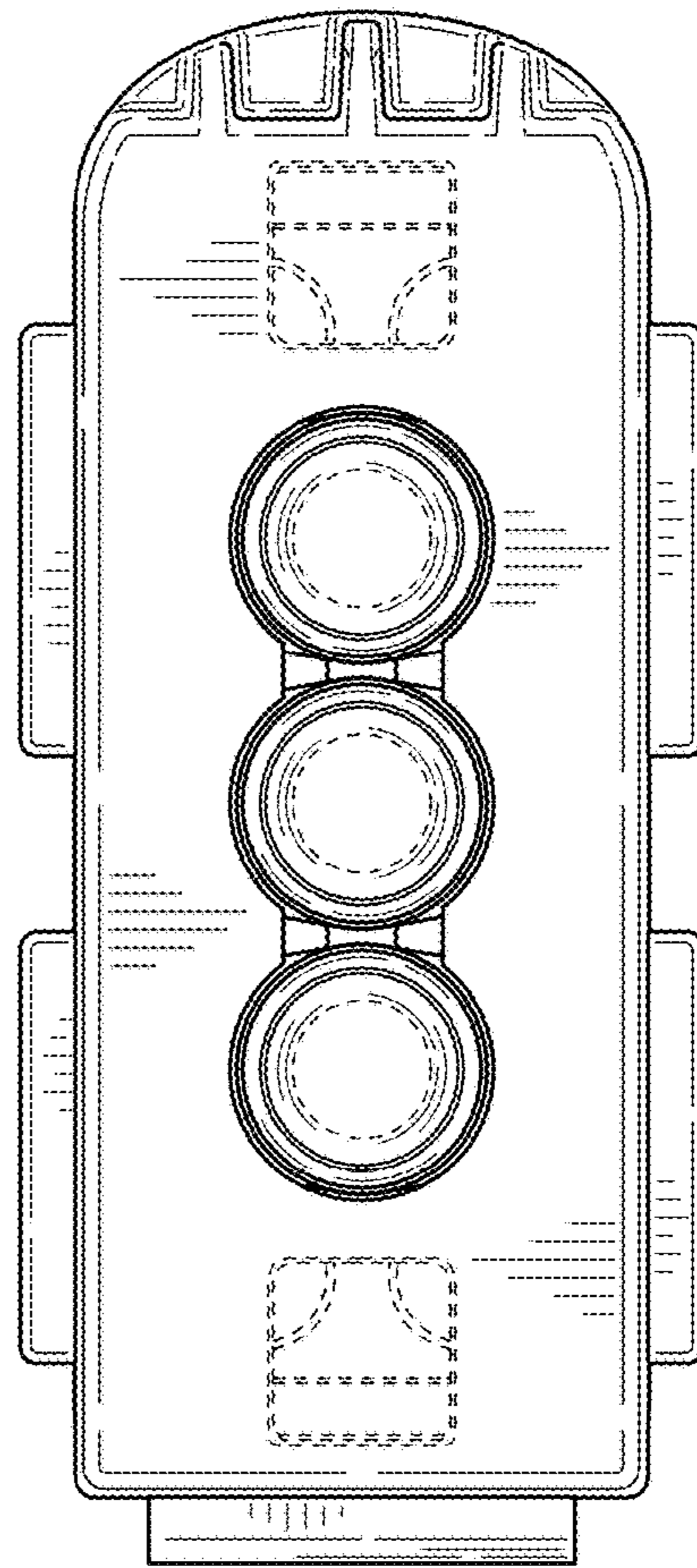


FIG. 7

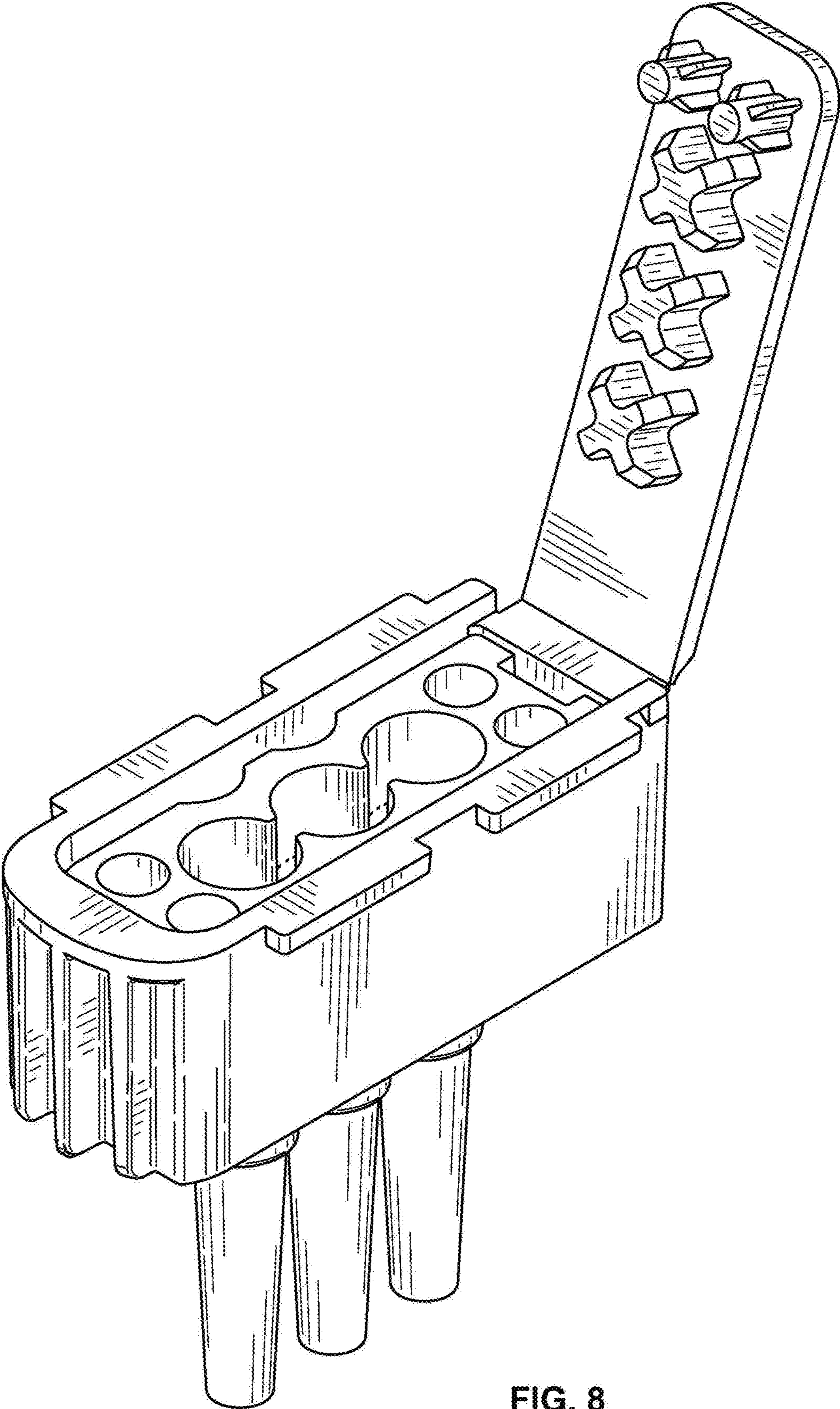


FIG. 8

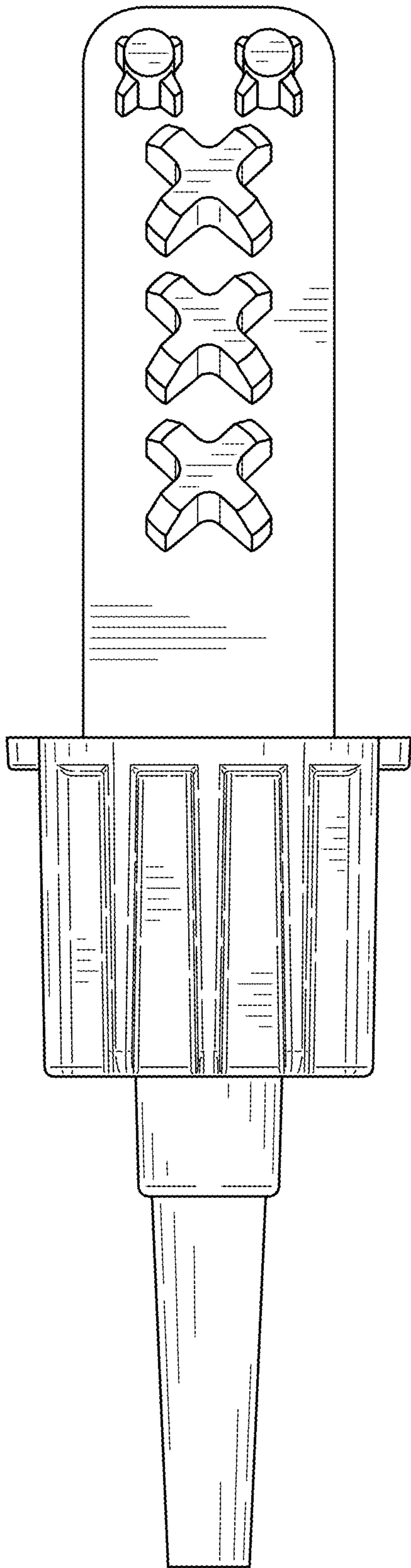


FIG. 9

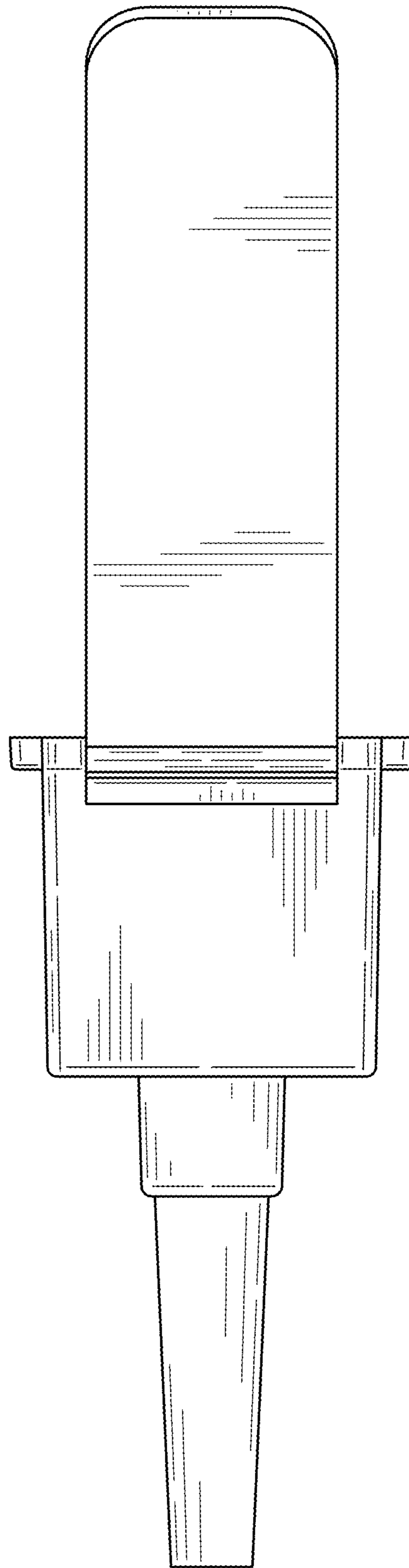


FIG. 10

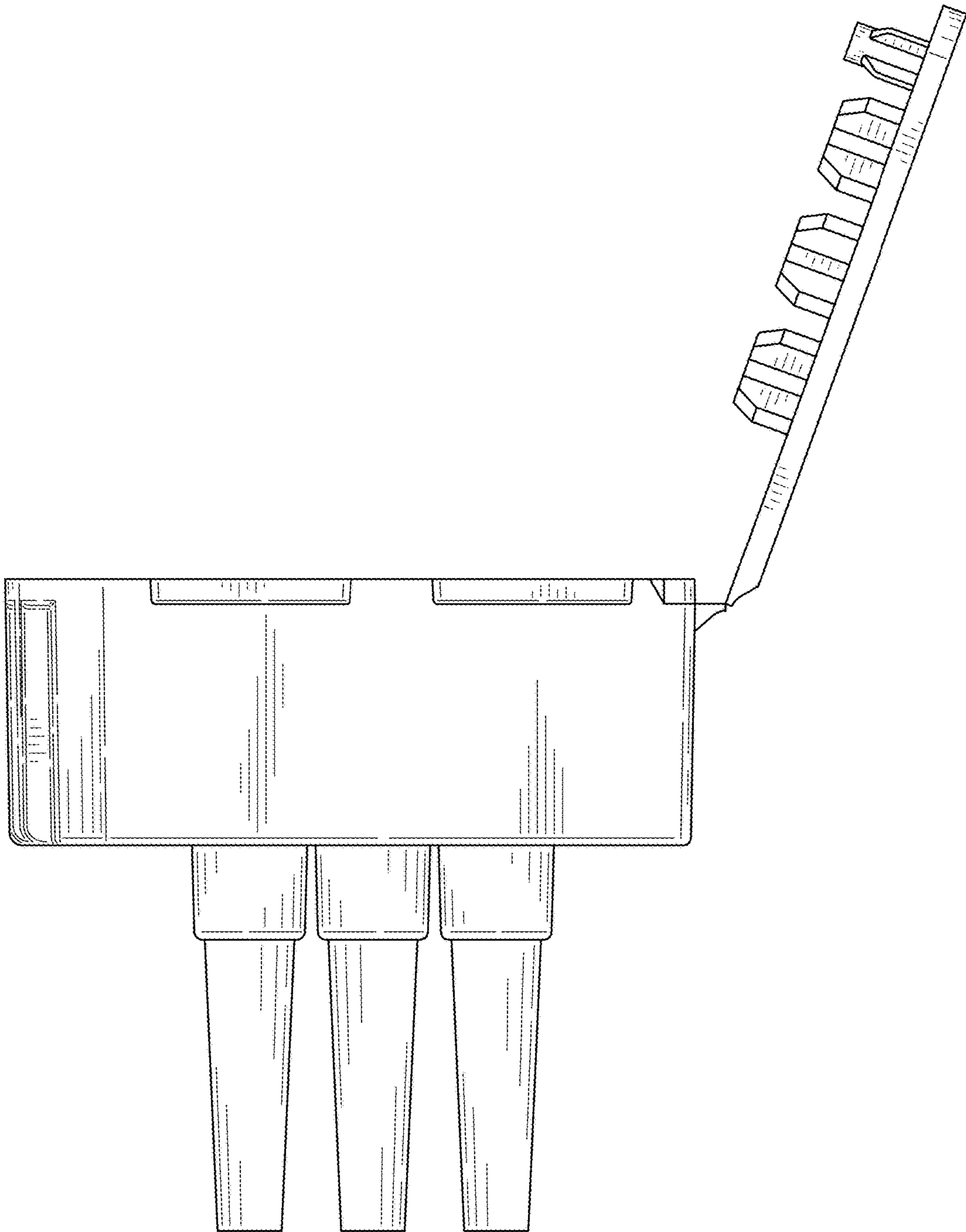


FIG. 11

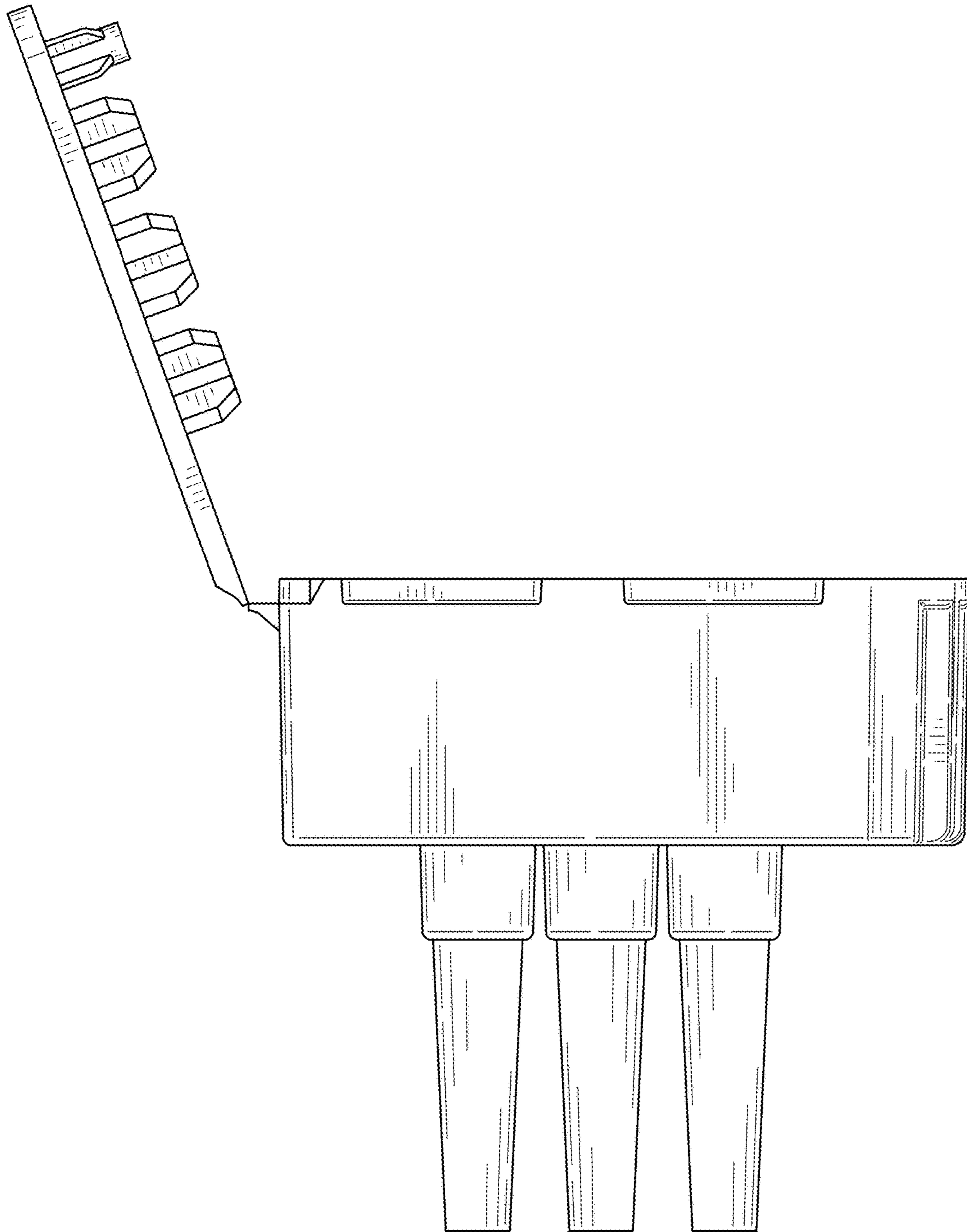


FIG. 12

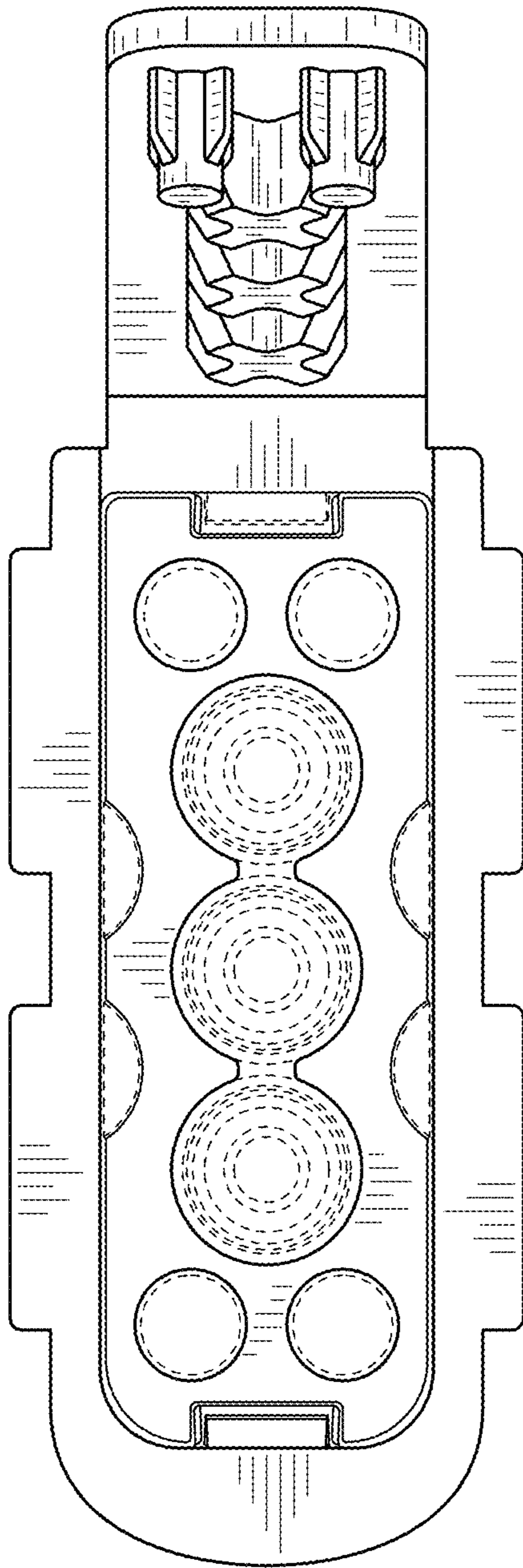


FIG. 13

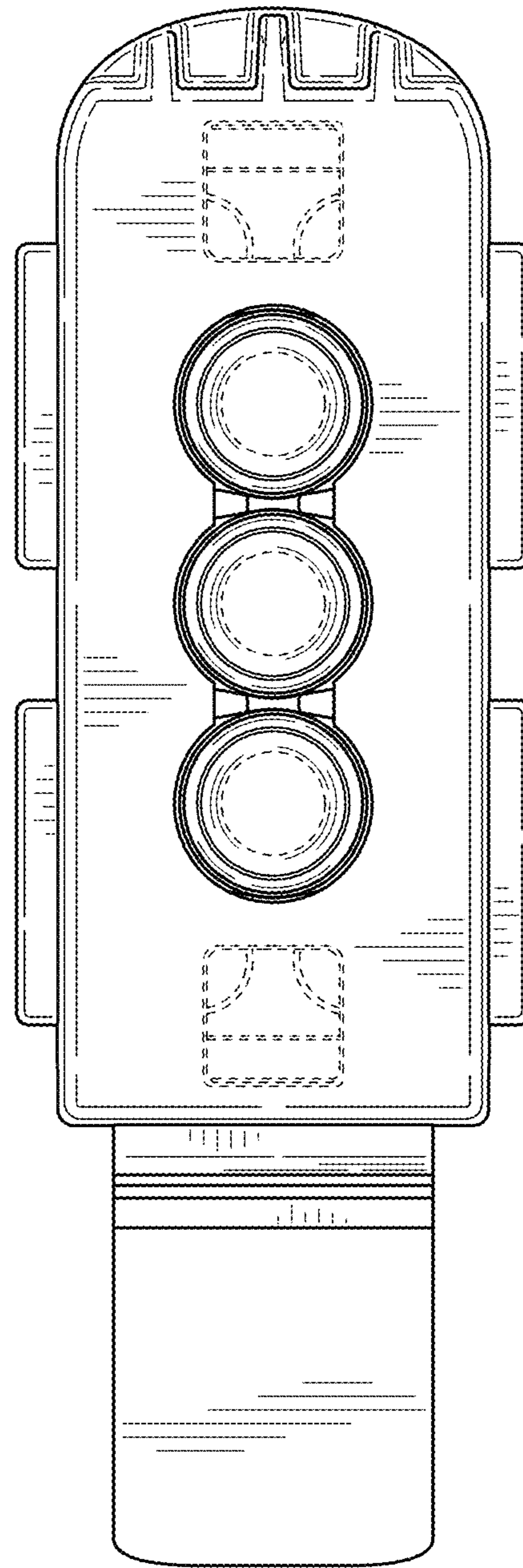


FIG. 14

UNITED STATES PATENT AND TRADEMARK OFFICE
CERTIFICATE OF CORRECTION

PATENT NO. : D814,652 S
APPLICATION NO. : 29/580982
DATED : April 3, 2018
INVENTOR(S) : Michael Buxton et al.

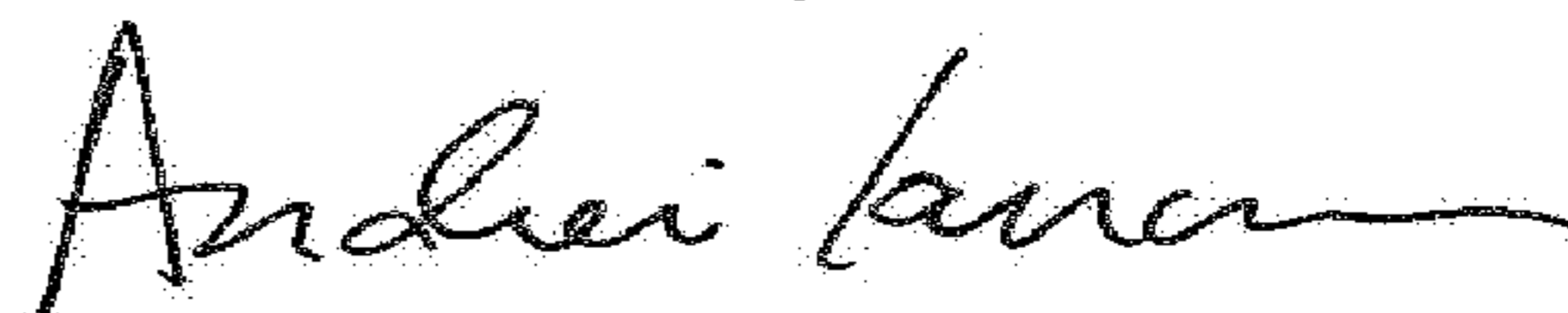
Page 1 of 1

It is certified that error appears in the above-identified patent and that said Letters Patent is hereby corrected as shown below:

On the Title Page

Item (73) Assignee:, "SPARTAN BIOSCIENCE IN." should be --SPARTAN BIOSCIENCE INC.--.

Signed and Sealed this
Nineteenth Day of June, 2018



Andrei Iancu
Director of the United States Patent and Trademark Office