



US00D814650S

(12) **United States Design Patent**
Procter

(10) **Patent No.:** **US D814,650 S**

(45) **Date of Patent:** **** Apr. 3, 2018**

- (54) **REHABILITATION DEVICE FOR THE EAR**
- (71) Applicant: **Stanley Procter**, Huntington Beach, CA (US)
- (72) Inventor: **Stanley Procter**, Huntington Beach, CA (US)
- (**) Term: **15 Years**
- (21) Appl. No.: **29/582,425**
- (22) Filed: **Oct. 27, 2016**
- (51) **LOC (11) Cl.** **24-04**
- (52) **U.S. Cl.**
USPC **D24/207**
- (58) **Field of Classification Search**
USPC D24/206–208, 200; D29/108, 112
CPC A61F 11/06; A61F 11/12; A61F 11/14;
A61F 11/00; A61F 11/045; A61F 7/00;
A61F 7/02; A61F 7/03; A61F 2007/0219;
A61F 2007/0005; A61M 2205/36
See application file for complete search history.

- 5,456,703 A * 10/1995 Beeuwkes, III A61F 7/02
607/109
- 6,093,202 A * 7/2000 Dyken A61F 7/02
607/108
- D785,809 S * 5/2017 Copeland D24/206

* cited by examiner

Primary Examiner — Wan Laymon

(74) *Attorney, Agent, or Firm* — Flyer & Flyer, a Professional Law Corporation; David R. Flyer

(56) **References Cited**

U.S. PATENT DOCUMENTS

- 3,796,855 A * 3/1974 Brown A61F 11/00
2/209
- 4,408,605 A * 10/1983 Doerr A61F 7/03
D24/207

(57) **CLAIM**

I claim the ornamental design for a rehabilitation device for the ear substantially, as shown and described.

DESCRIPTION

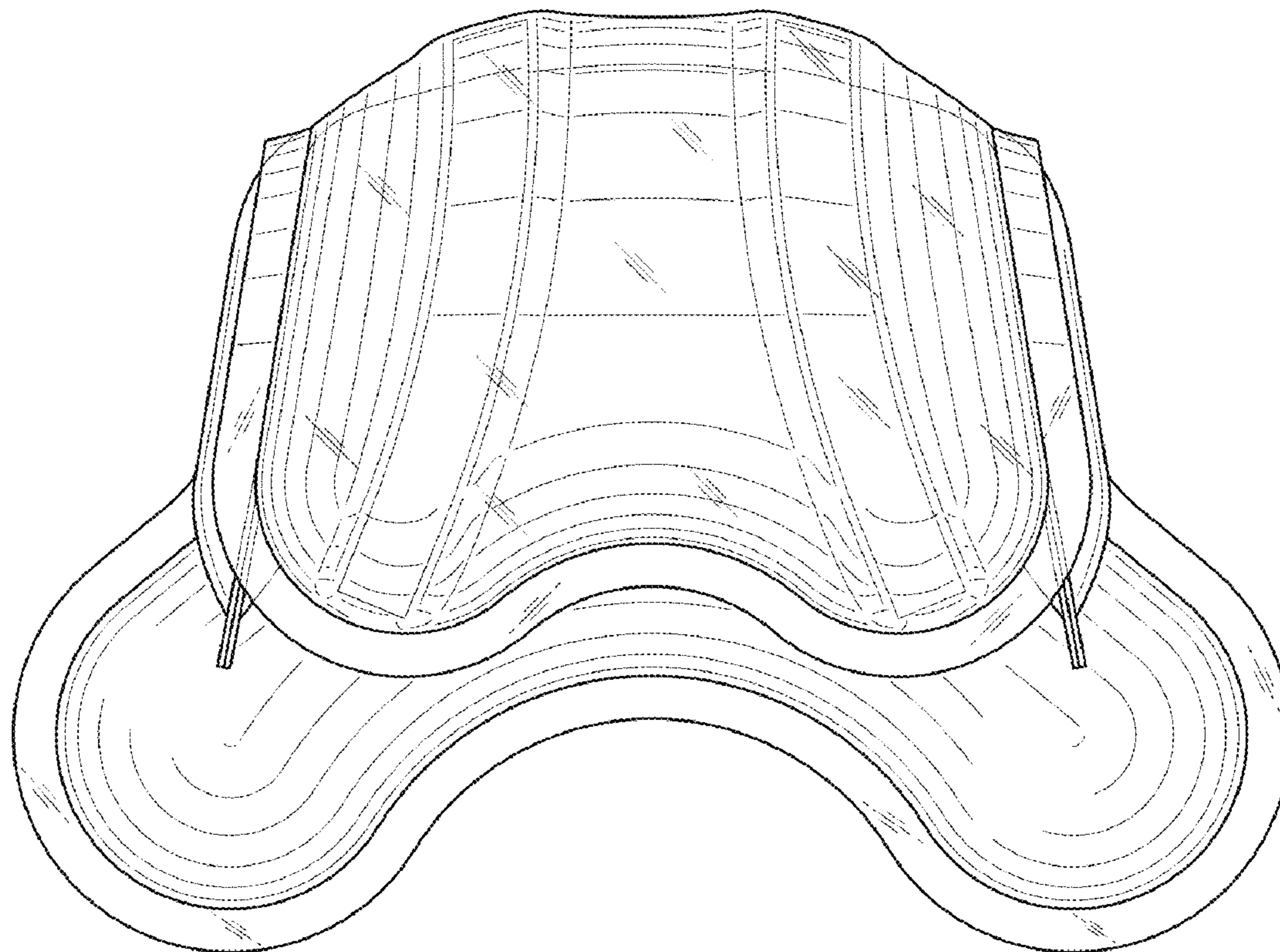
FIG. 1 is a front view of a rehabilitation device for the ear (looking at a person's ear who would be wearing the device).

FIG. 2 is a side view of the device.

FIG. 3 is a top view of the device; and,

FIG. 4 is a bottom view of the device.

1 Claim, 2 Drawing Sheets



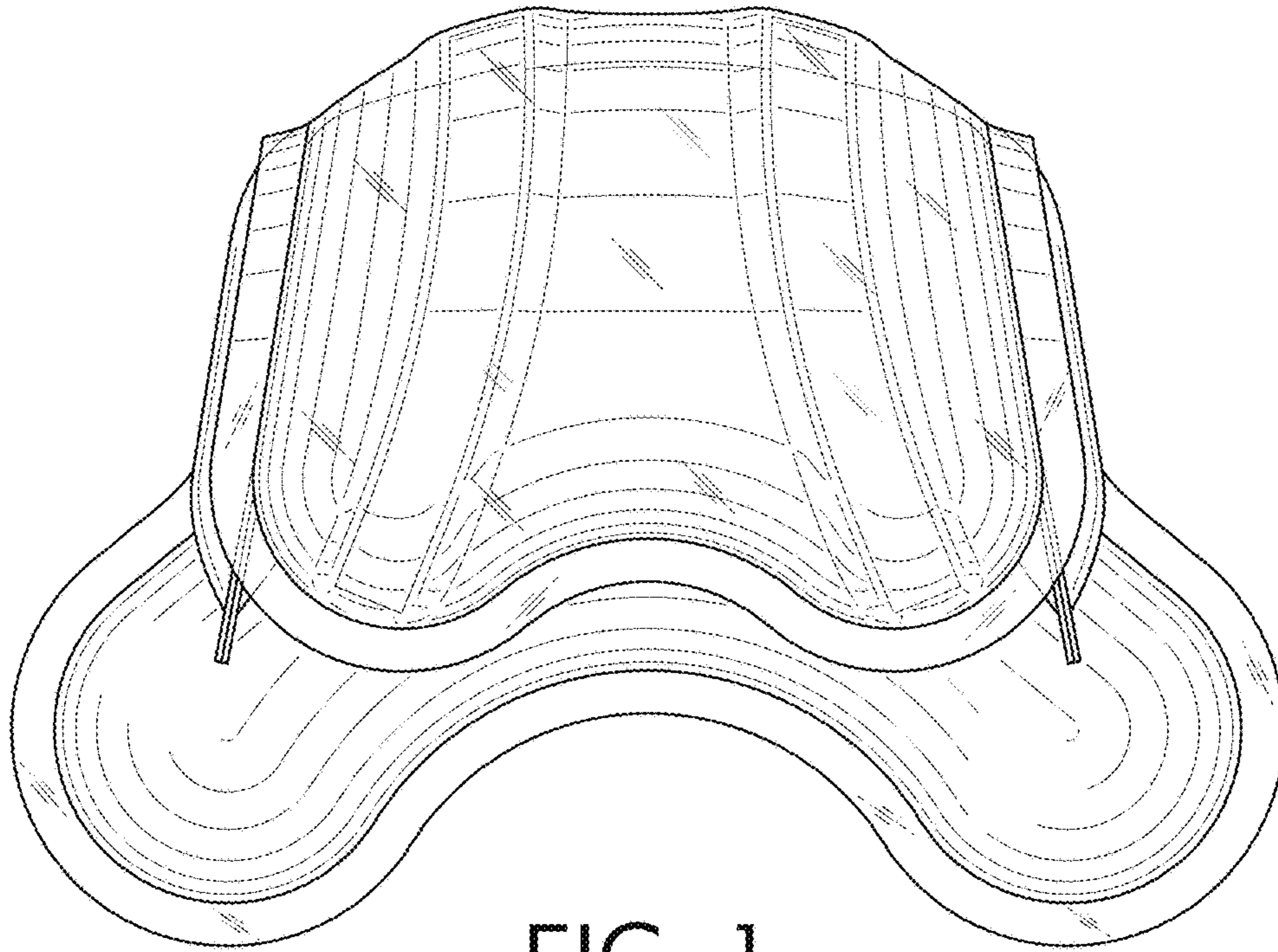


FIG. 1

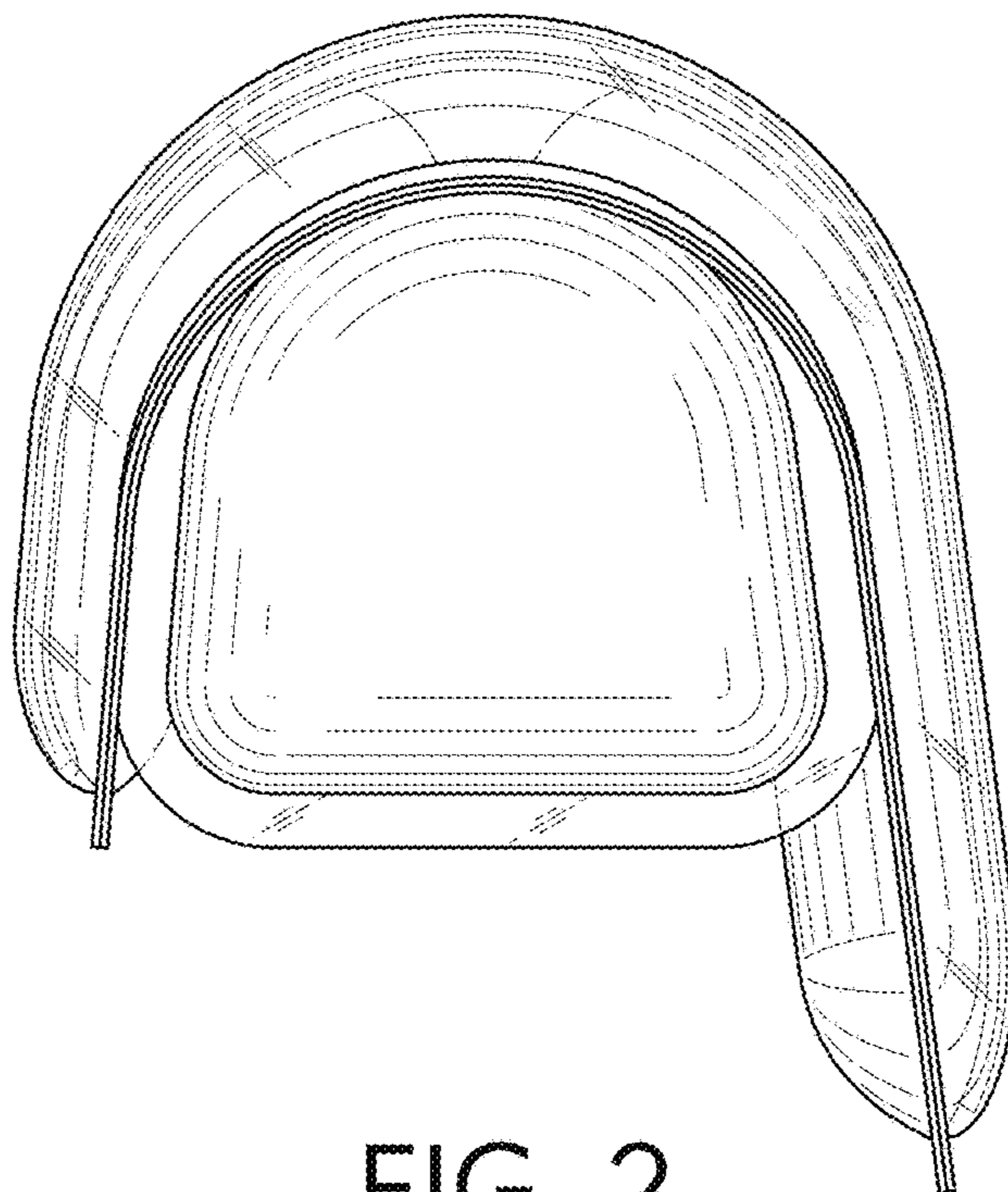


FIG. 2

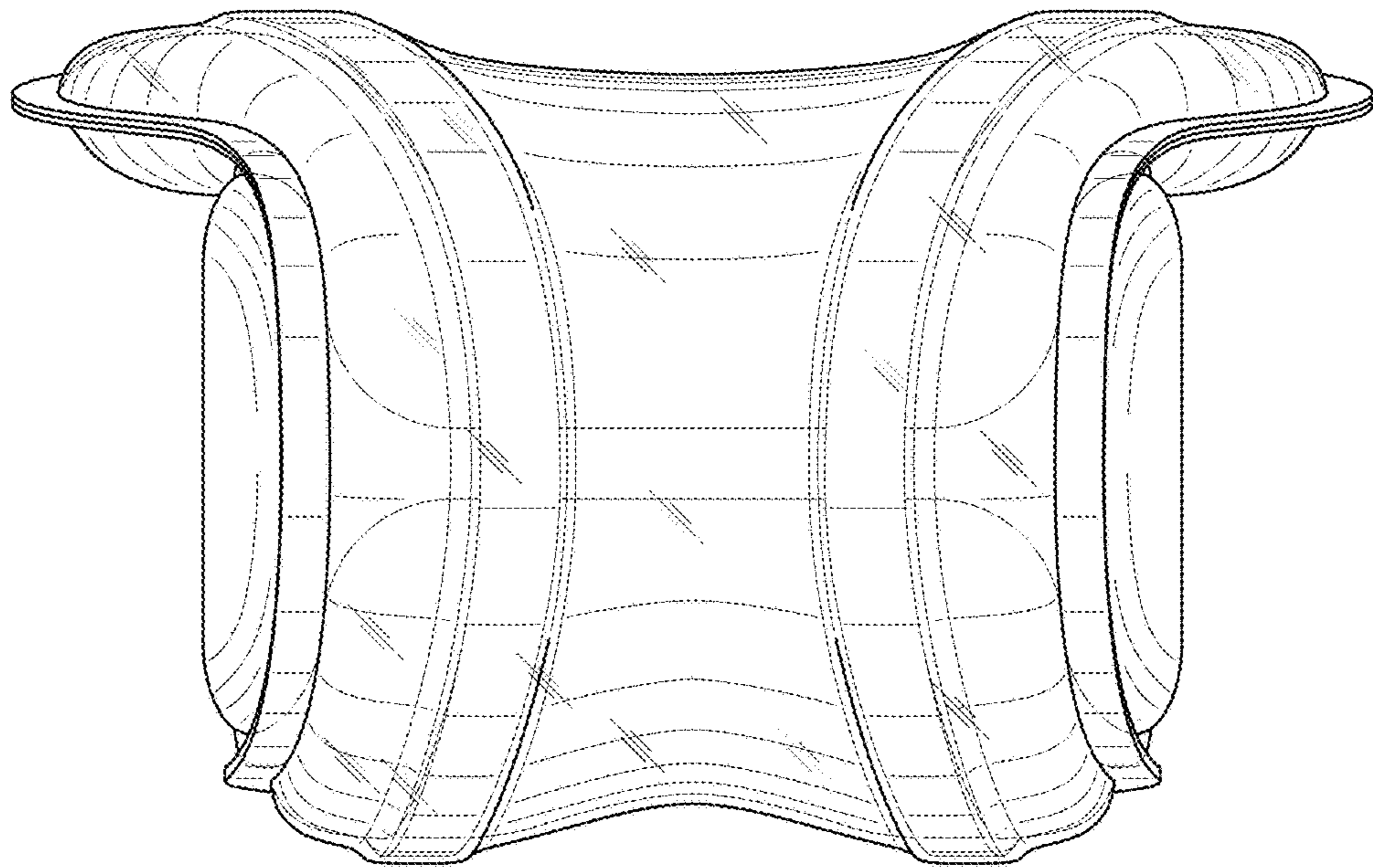


FIG. 3

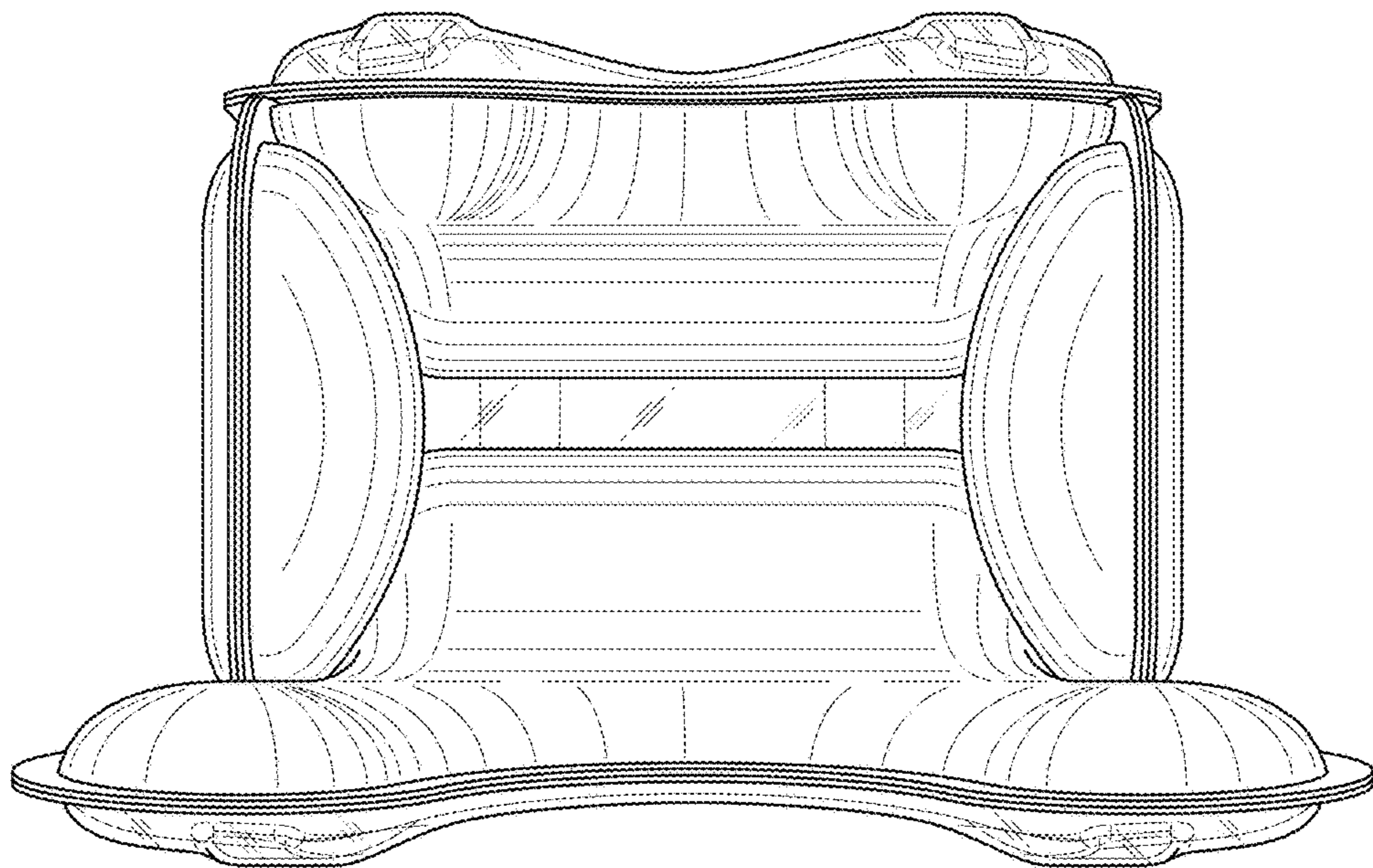


FIG. 4