



US00D814648S

(12) **United States Design Patent** (10) **Patent No.:** **US D814,648 S**  
**Lee** (45) **Date of Patent:** **\*\* \*Apr. 3, 2018**

(54) **SAUNA DEVICE**

(71) Applicant: **Sang Won Lee**, Yorba Linda, CA (US)

(72) Inventor: **Sang Won Lee**, Yorba Linda, CA (US)

(\* ) Notice: This patent is subject to a terminal disclaimer.

(\*\* ) Term: **15 Years**

(21) Appl. No.: **29/529,780**

(22) Filed: **Jun. 10, 2015**

(51) **LOC (11) Cl.** ..... **23-02**

(52) **U.S. Cl.**  
USPC ..... **D24/203**

(58) **Field of Classification Search**

USPC ..... D24/201-205, 213; D23/276-278,  
D23/280.1-280.3; D25/2

CPC ..... A61H 33/6005; A61H 33/6021; A61H  
33/6089; A61H 33/6094; A61H 2035/004;  
A61H 35/006; A61H 33/06; A61H  
33/066; A47K 3/022; A47K 3/062

See application file for complete search history.

(56) **References Cited**

**U.S. PATENT DOCUMENTS**

4,105,036 A \* 8/1978 McGrath ..... A61H 33/06  
607/83  
D732,177 S \* 6/2015 Lee ..... D24/203

D732,178 S \* 6/2015 Lee ..... D24/203  
D739,949 S \* 9/2015 Lee ..... D24/203  
9,119,768 B1 \* 9/2015 Lee ..... A61H 33/067  
D745,692 S \* 12/2015 Oh ..... D24/203  
2016/0022537 A1 \* 1/2016 Lee ..... A61H 33/067  
4/531

\* cited by examiner

*Primary Examiner* — Anhdao Doan

(74) *Attorney, Agent, or Firm* — John K. Park; Park Law Firm

(57) **CLAIM**

The ornamental design for a sauna device, as shown and described.

**DESCRIPTION**

FIG. 1 is a perspective view of a sauna device showing my new design;

FIG. 2 is a side view thereof;

FIG. 3 is a front view thereof;

FIG. 4 is a rear view thereof;

FIG. 5 is a top view thereof;

FIG. 6 is a bottom view thereof; and,

FIG. 7 is another perspective plan view thereof.

The broken line showing of environment is for illustrative purposes only and forms no part of the claimed design.

**1 Claim, 5 Drawing Sheets**

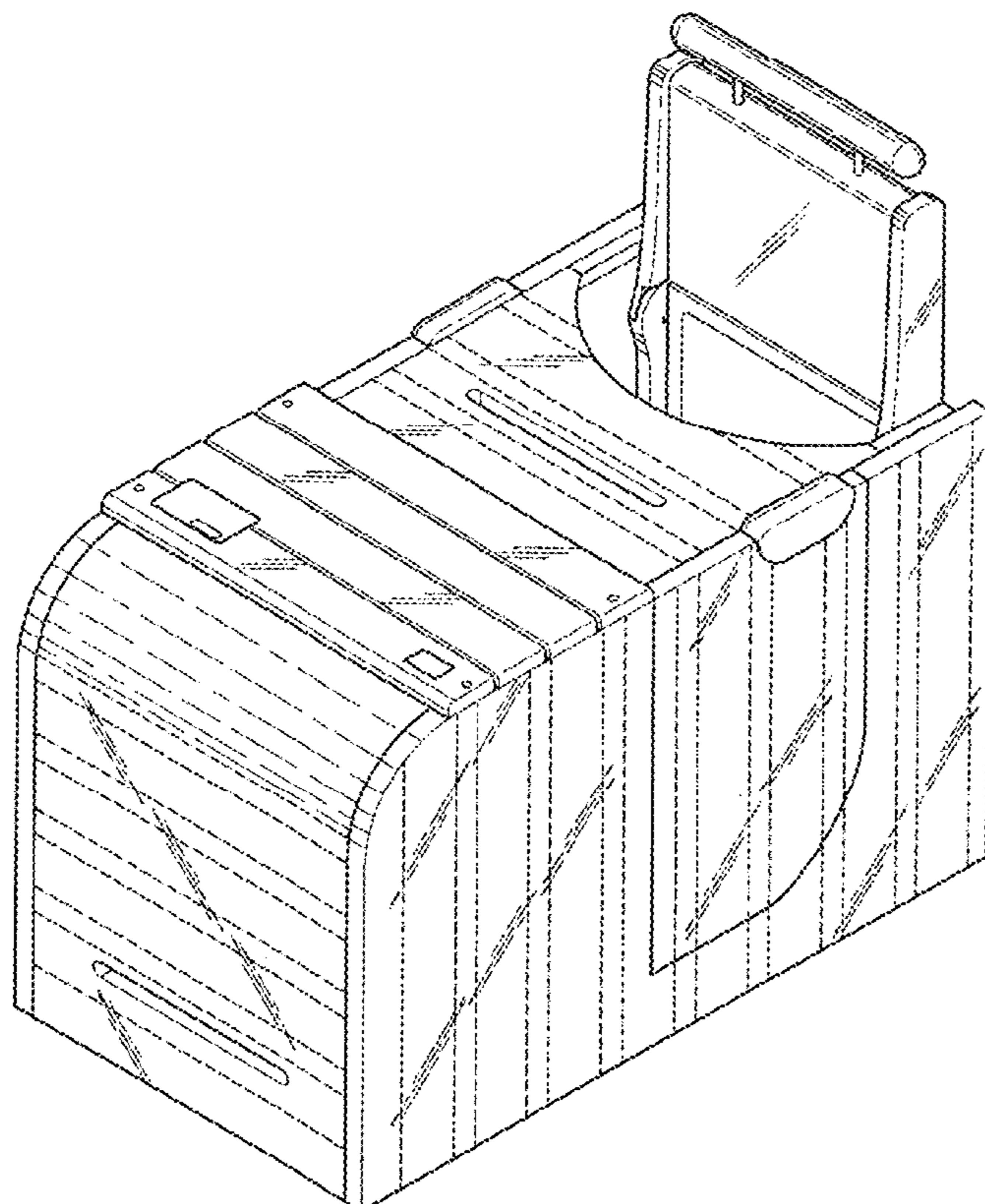


FIG. 1

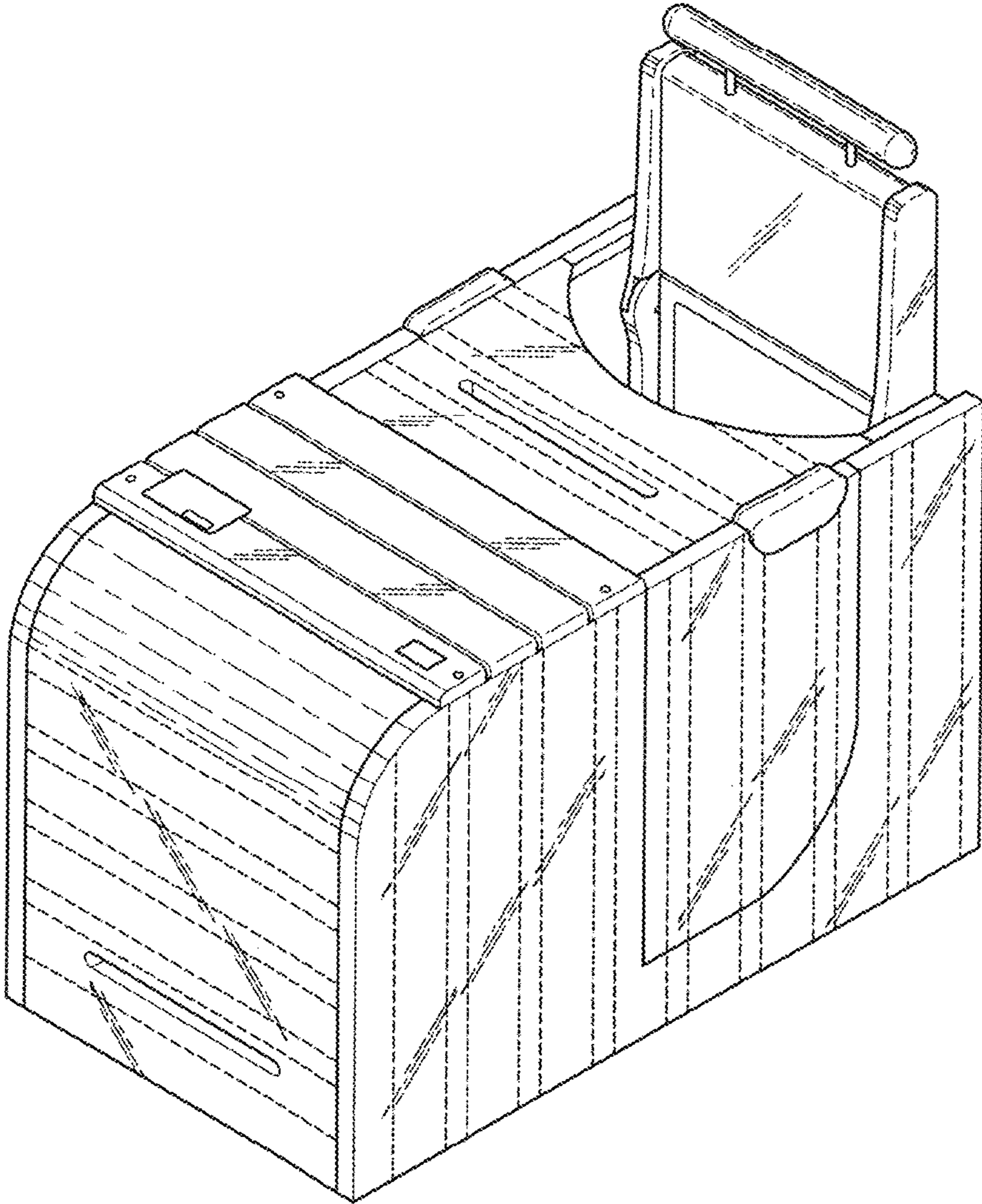


FIG. 2

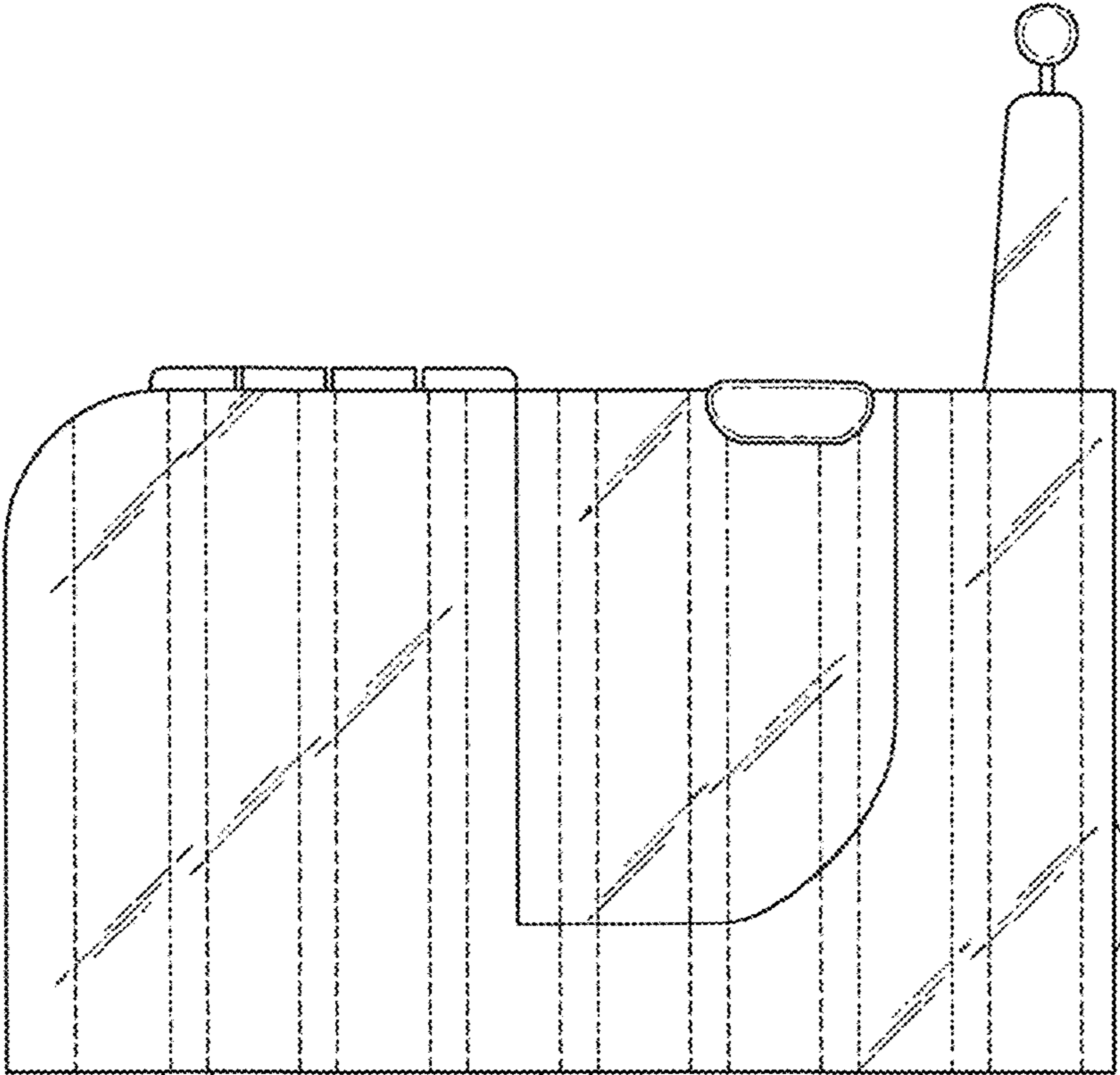


FIG. 3

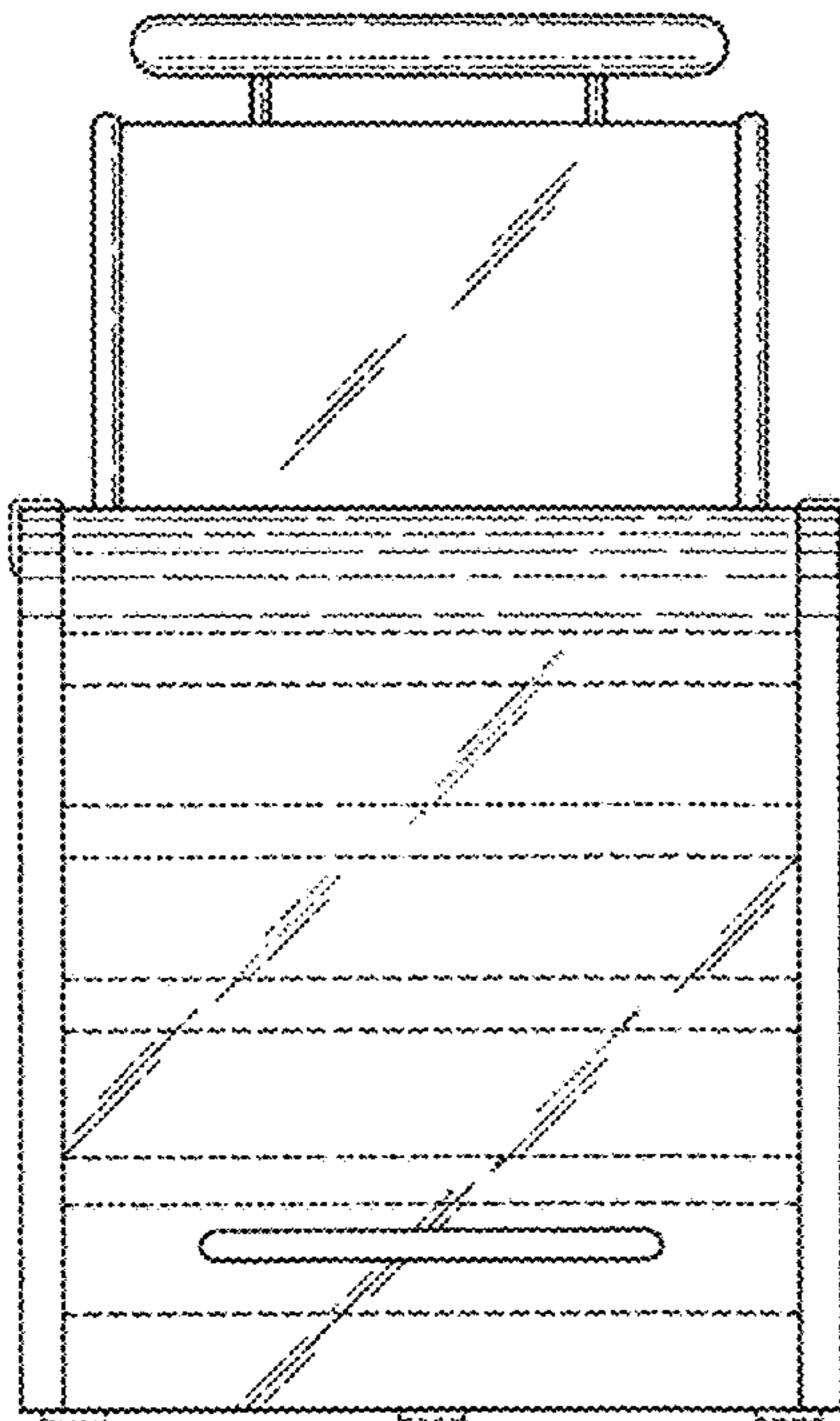


FIG. 4

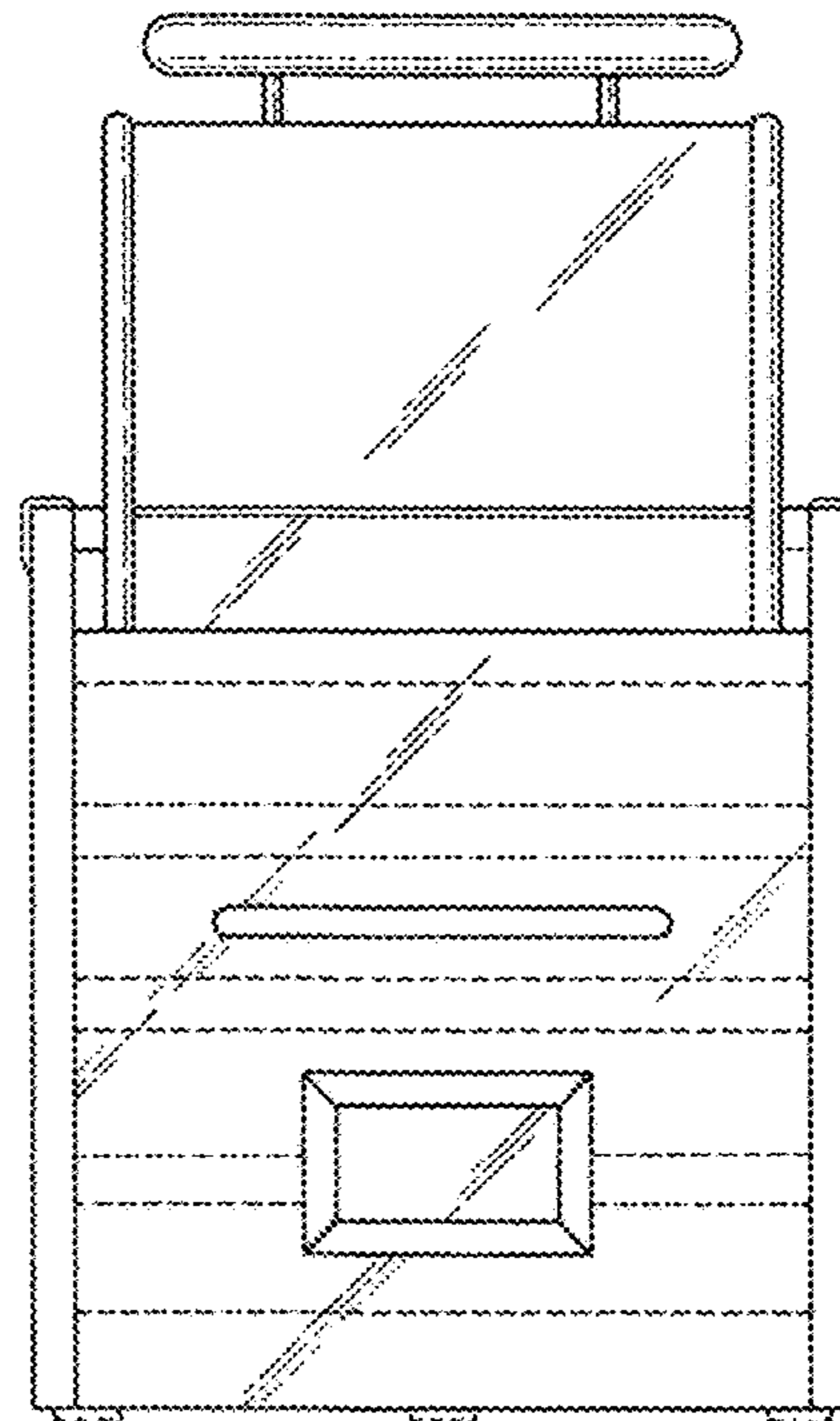


FIG. 5

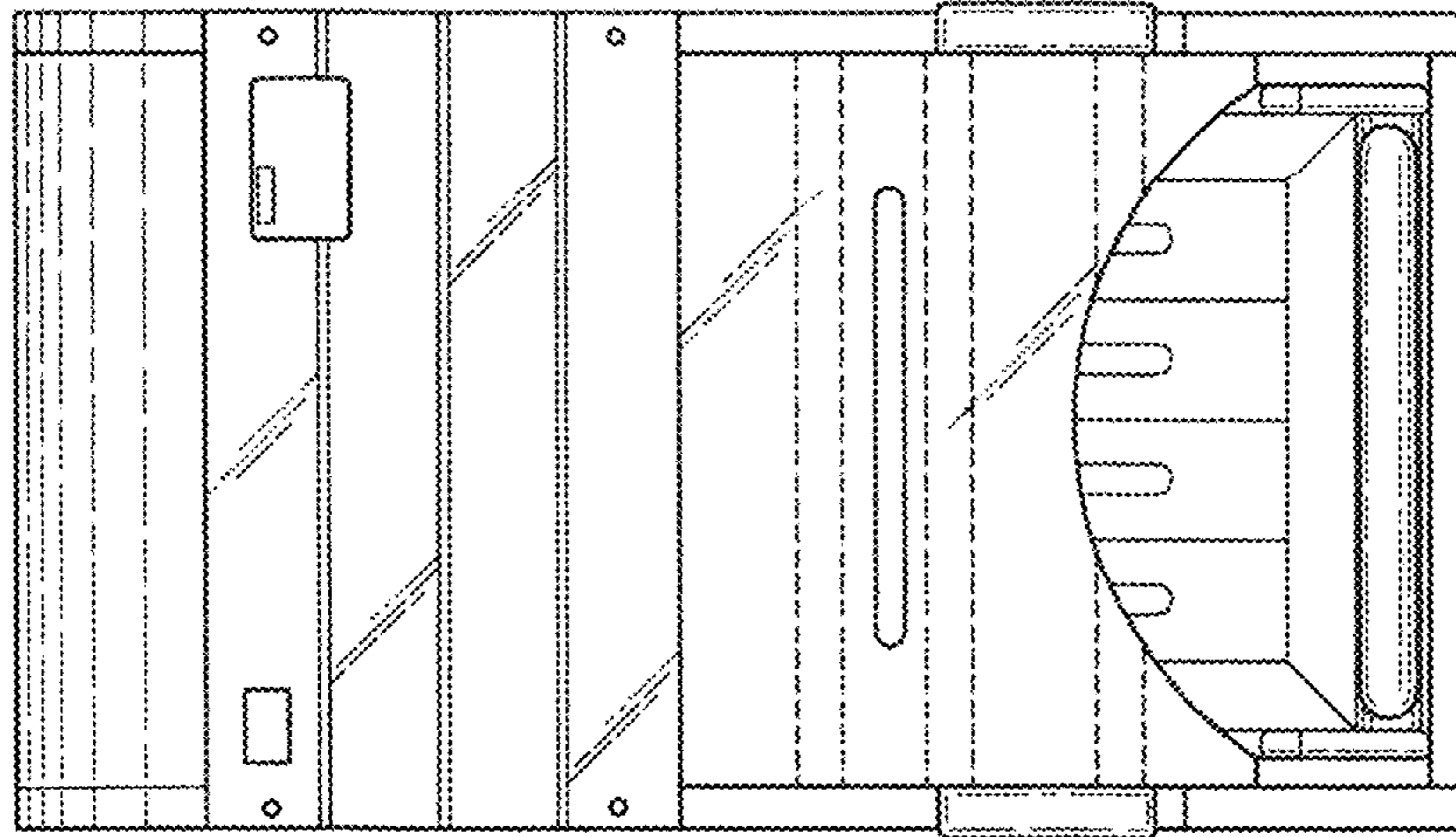


FIG. 6

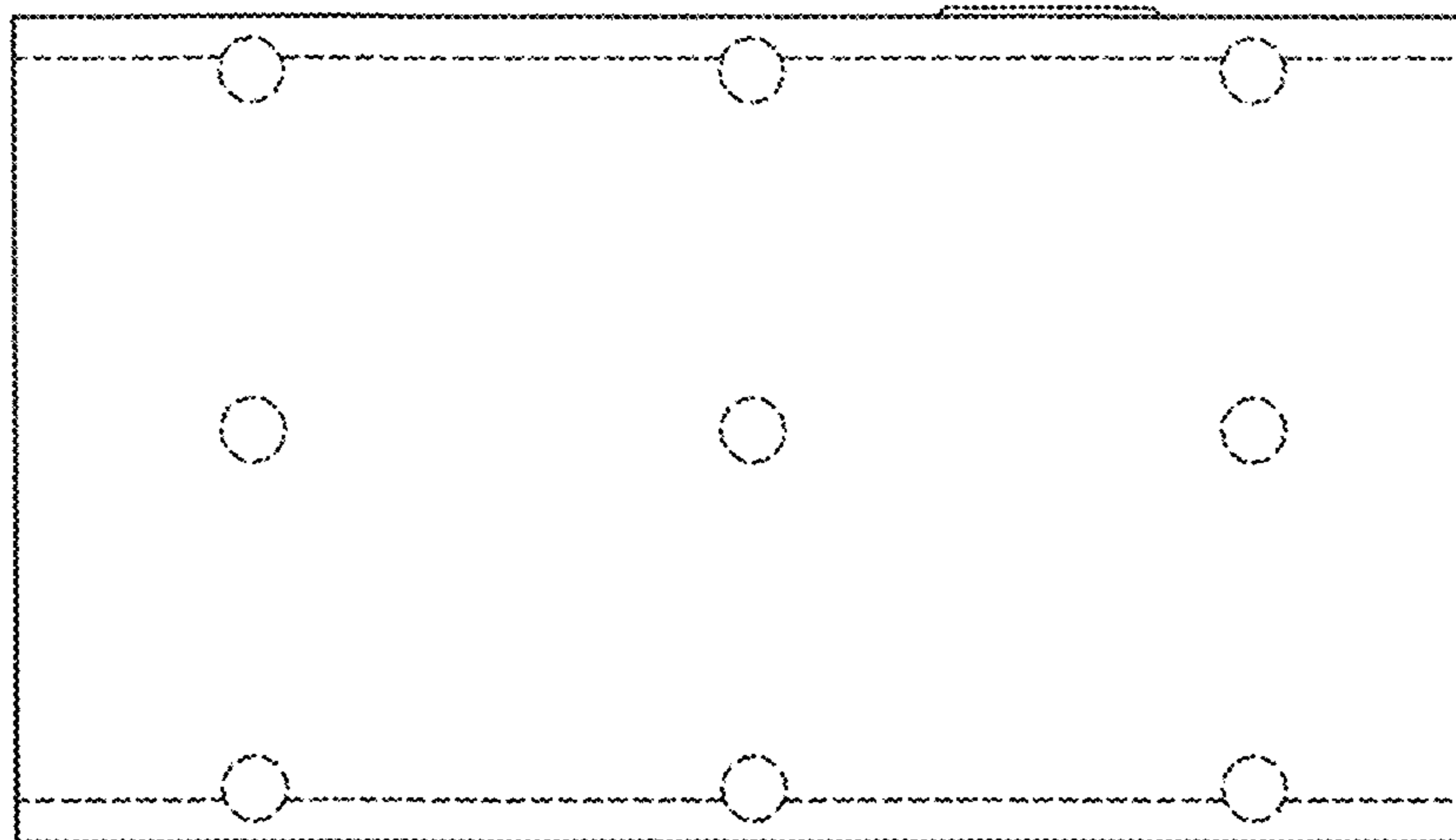


FIG. 7

