



US00D814647S

(12) **United States Design Patent**
Korrol

(10) **Patent No.:** **US D814,647 S**

(45) **Date of Patent:** **** Apr. 3, 2018**

(54) **DISCOMFORT ATTENUATING DEVICE**
(71) Applicant: **Jay Korrol**, West Palm Beach, FL (US)
(72) Inventor: **Jay Korrol**, West Palm Beach, FL (US)

(**) Term: **15 Years**

(21) Appl. No.: **29/562,992**

(22) Filed: **Apr. 30, 2016**

(51) **LOC (11) Cl.** **28-03**

(52) **U.S. Cl.**
USPC **D24/200**

(58) **Field of Classification Search**
USPC D24/200, 211-215
CPC A61H 39/00; A61H 39/02; A61H 39/04;
A61H 15/0085; A61H 15/0092; A61H
2201/0153; A61H 2201/1253; A61H
2205/083; A61H 2205/10; A61H 7/004
See application file for complete search history.

(56) **References Cited**

U.S. PATENT DOCUMENTS

D280,664 S *	9/1985	Ishida	D24/211
D344,137 S *	2/1994	Yoo	D24/200
5,792,176 A *	8/1998	Chang	A61H 39/04
				128/898
6,183,429 B1 *	2/2001	Dervieux	A61H 7/004
				601/112
8,109,963 B1 *	2/2012	Korrol	A61H 39/04
				606/204
D732,182 S *	6/2015	Viner	D24/212

2006/0129072 A1 *	6/2006	Shin	A61H 7/004
				601/18
2006/0142678 A1 *	6/2006	Hecht	A61H 39/04
				601/135
2006/0247562 A1 *	11/2006	Emmel	A61H 2201/125
				601/135

* cited by examiner

Primary Examiner — Wan Laymon

(74) *Attorney, Agent, or Firm* — Allen D. Hertz, P.A.;
Allen D. Hertz

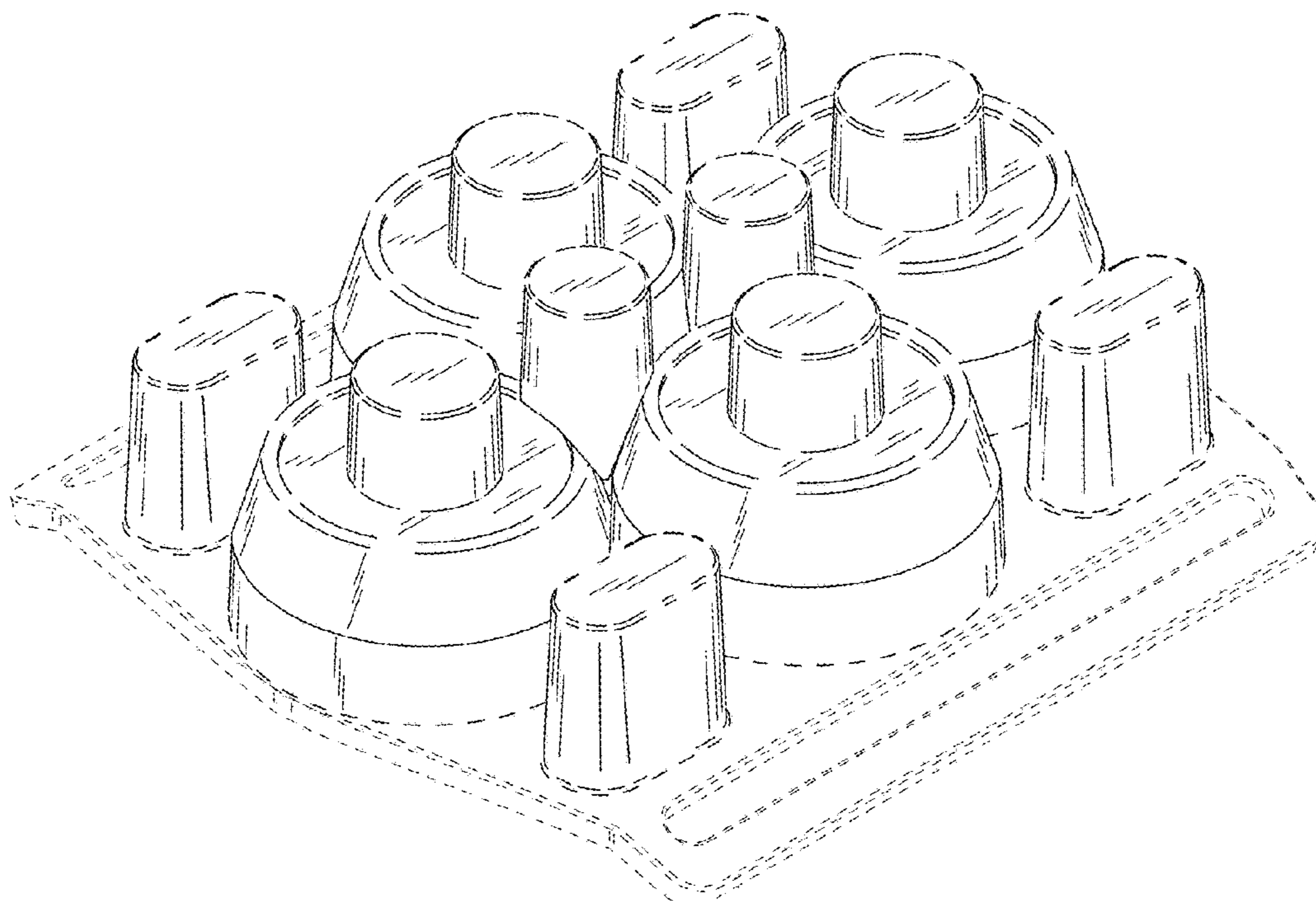
(57) **CLAIM**

I claim the ornamental design for a discomfort attenuating device, as shown and described.

DESCRIPTION

FIG. 1 is an isometric top view of a discomfort attenuating device;
 FIG. 2 is an isometric bottom view thereof;
 FIG. 3 is a top view thereof;
 FIG. 4 is a bottom view thereof;
 FIG. 5 is a front view thereof;
 FIG. 6 is a right side view thereof;
 FIG. 7 is a rear view thereof;
 FIG. 8 is a left side view thereof;
 FIG. 9 is a sectioned elevation left side view thereof, the section being taken in a direction of section line 9-9 of FIG. 3; and,
 FIG. 10 is a sectioned elevation left side view thereof, the section being taken in a direction of section line 10-10 of FIG. 3.
 The evenly spaced broken lines in the drawings illustrate features that form no part of the claim.

1 Claim, 10 Drawing Sheets



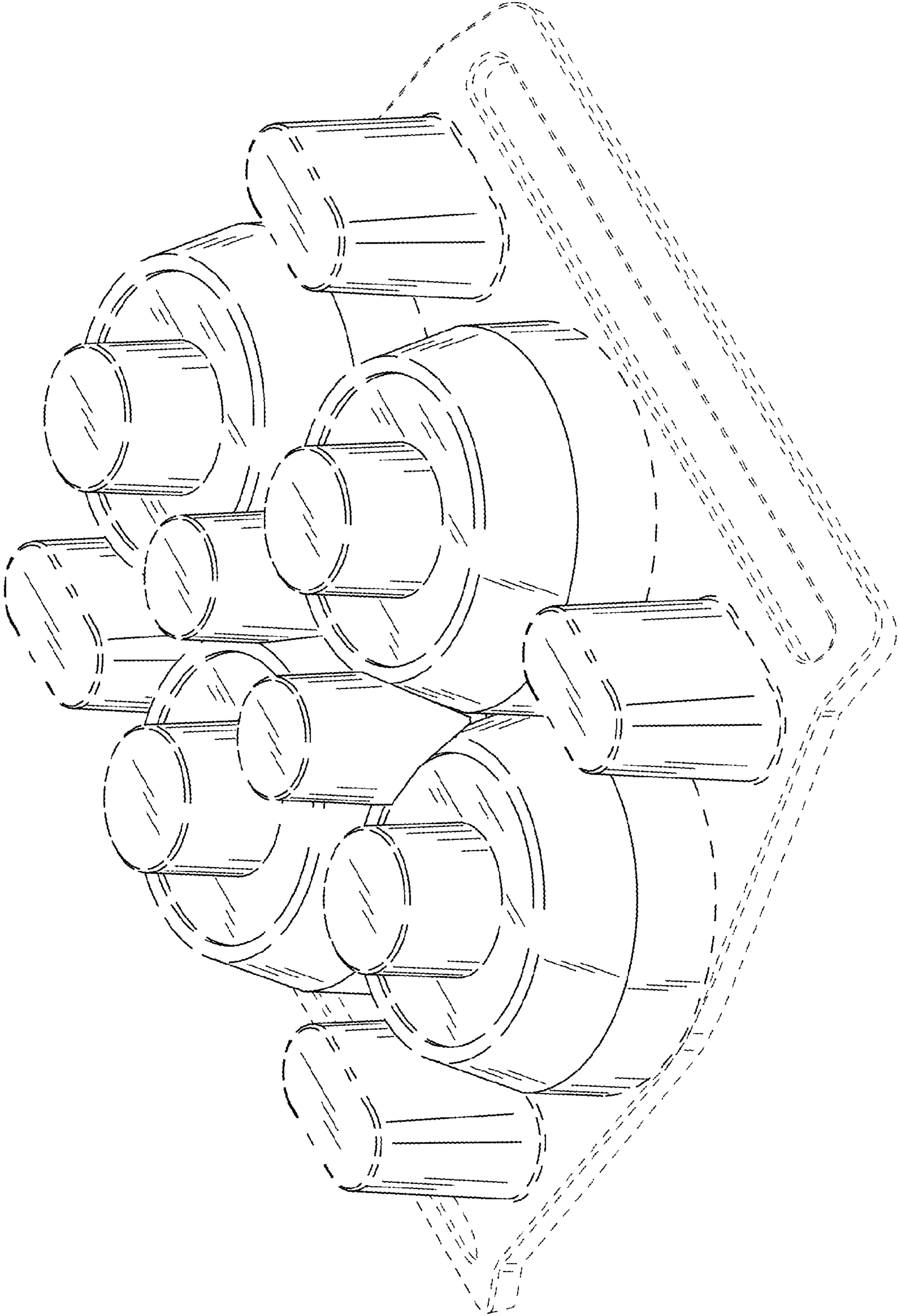


FIG. 1

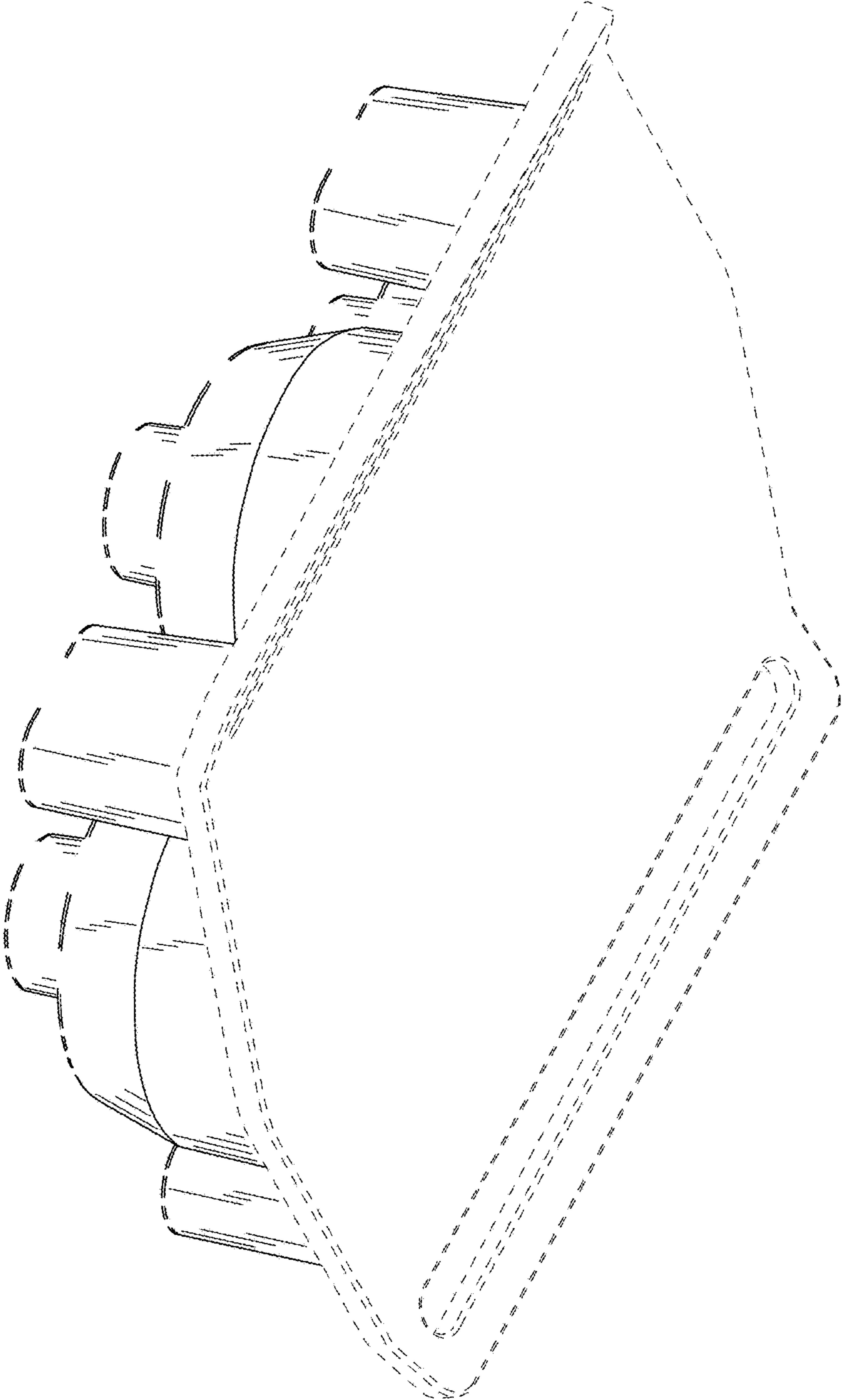


FIG. 2

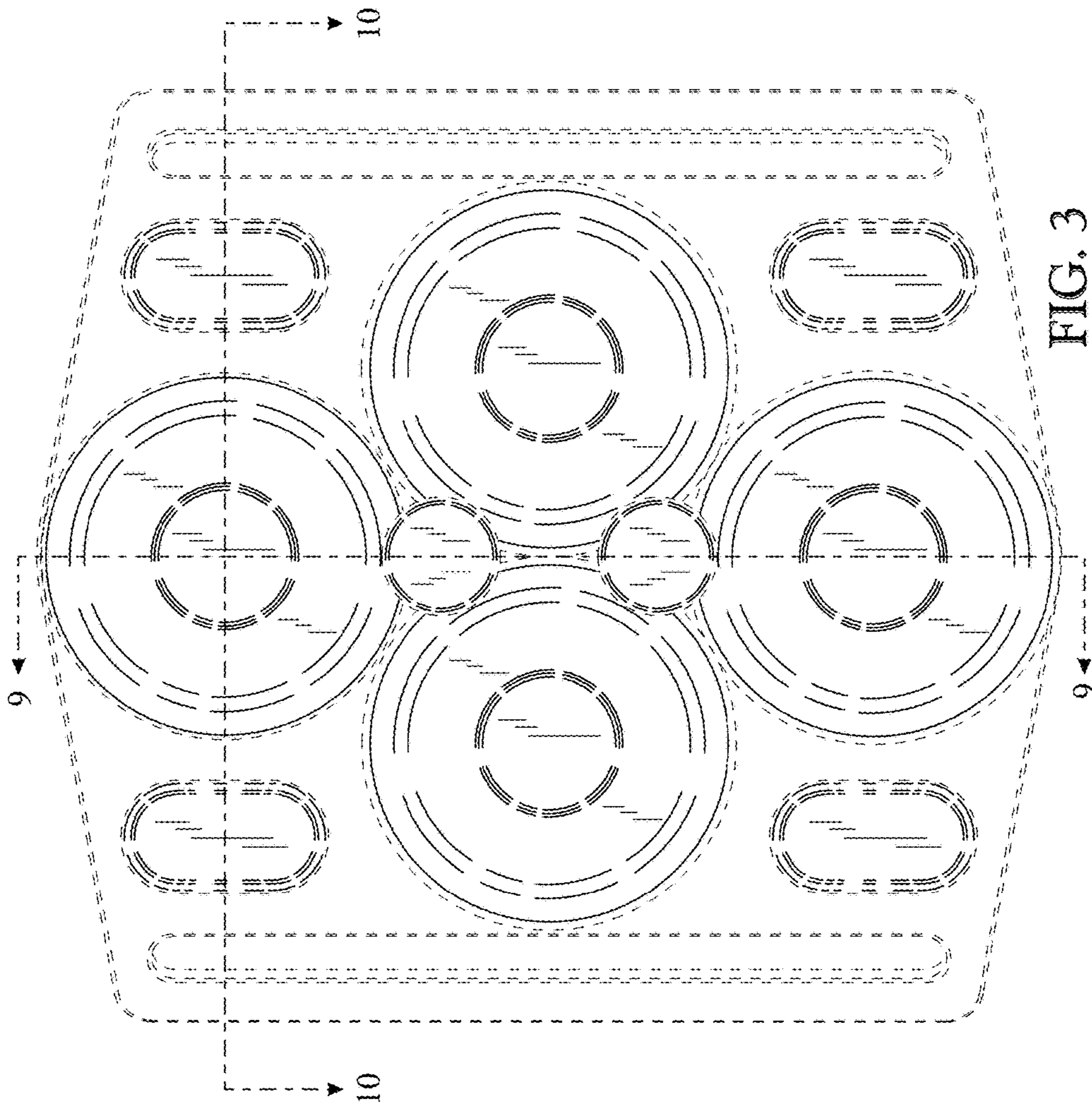


FIG. 3

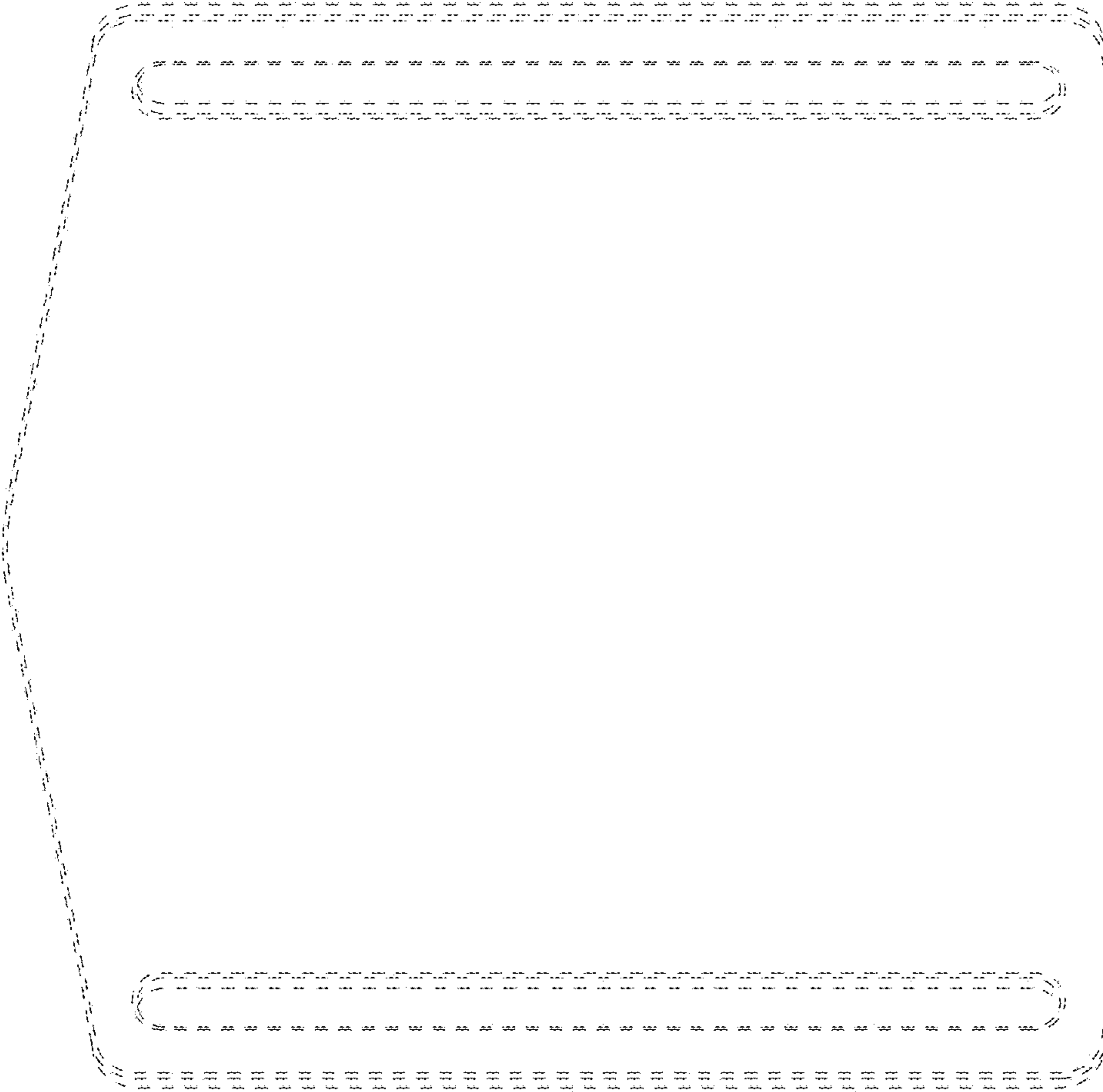


FIG. 4

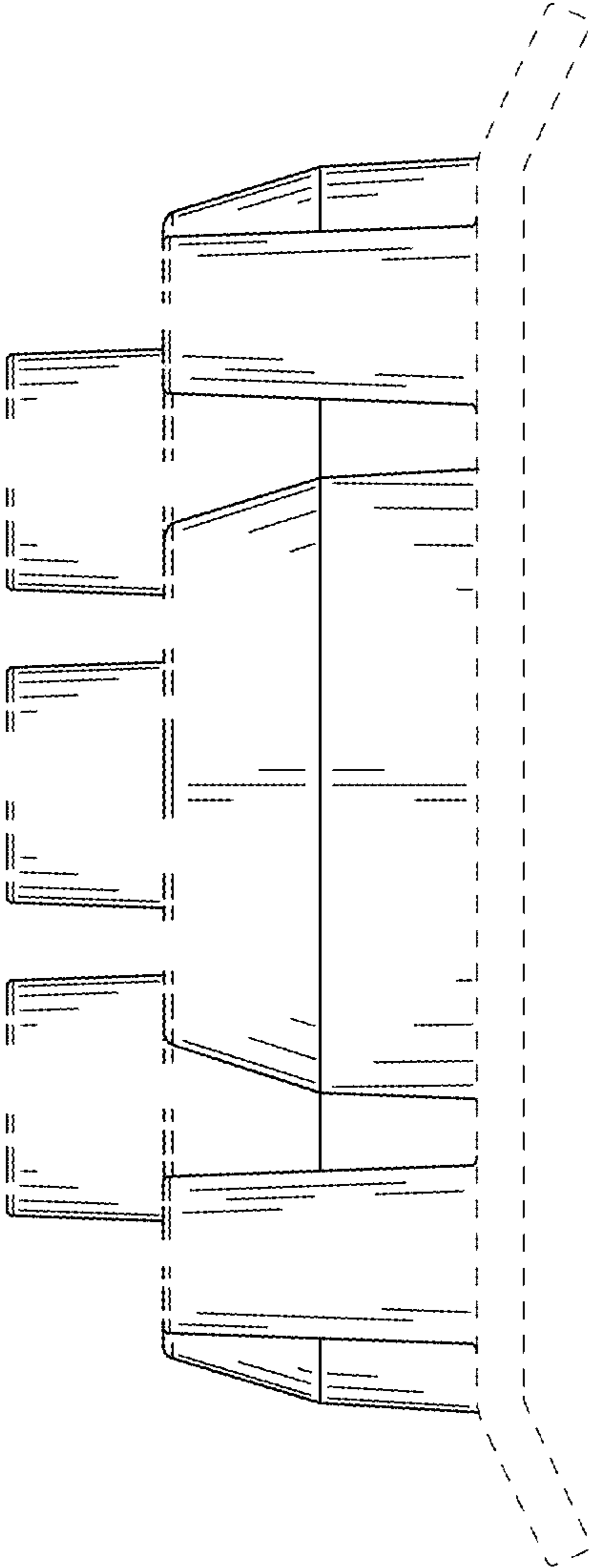


FIG. 5

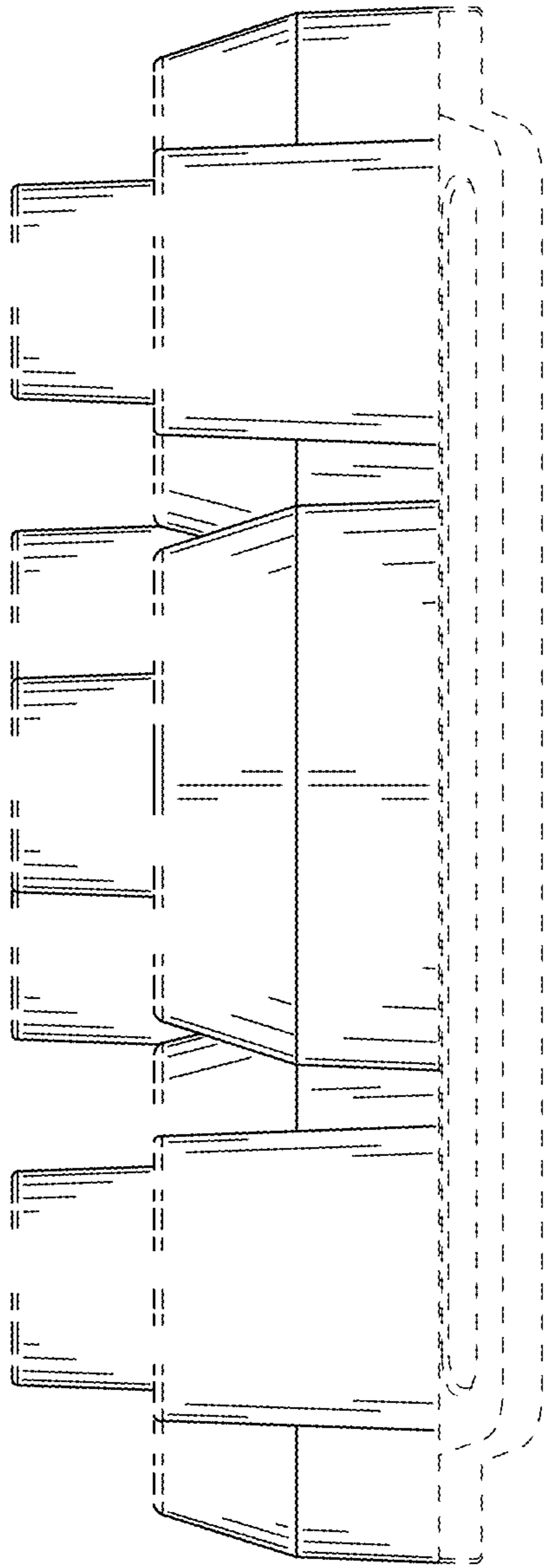


FIG. 6

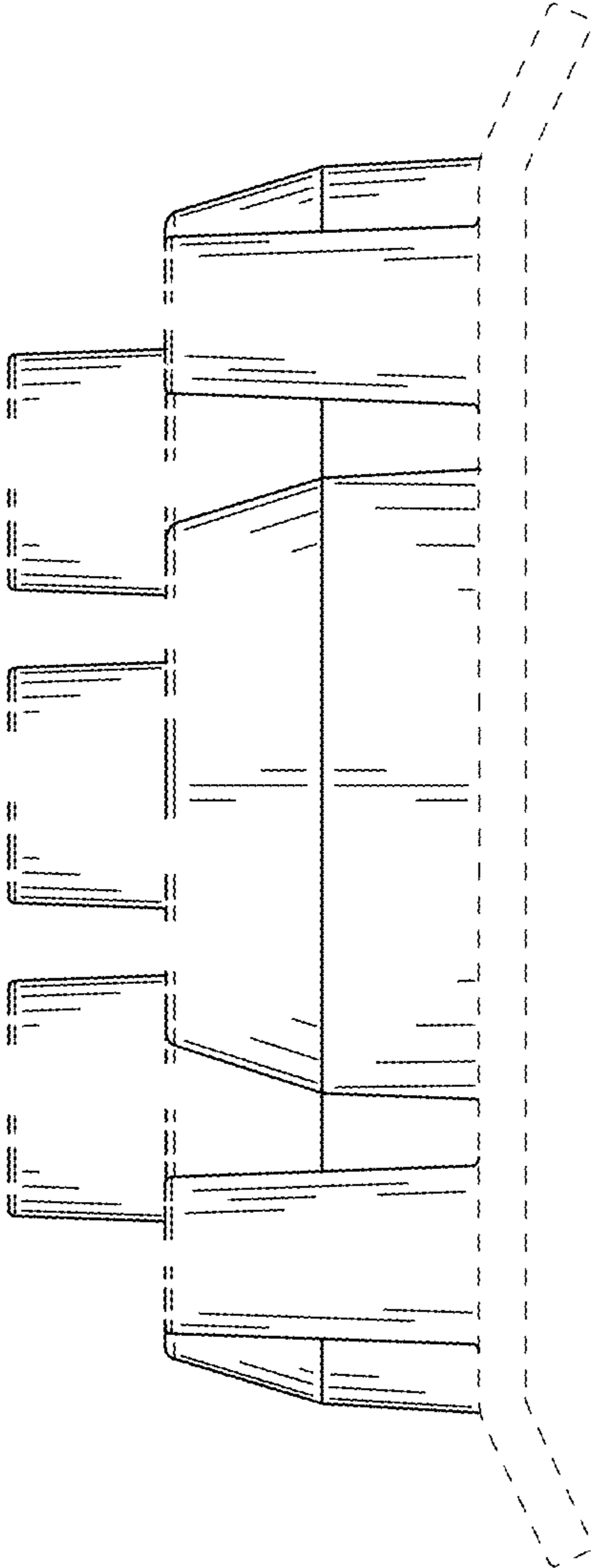


FIG. 7

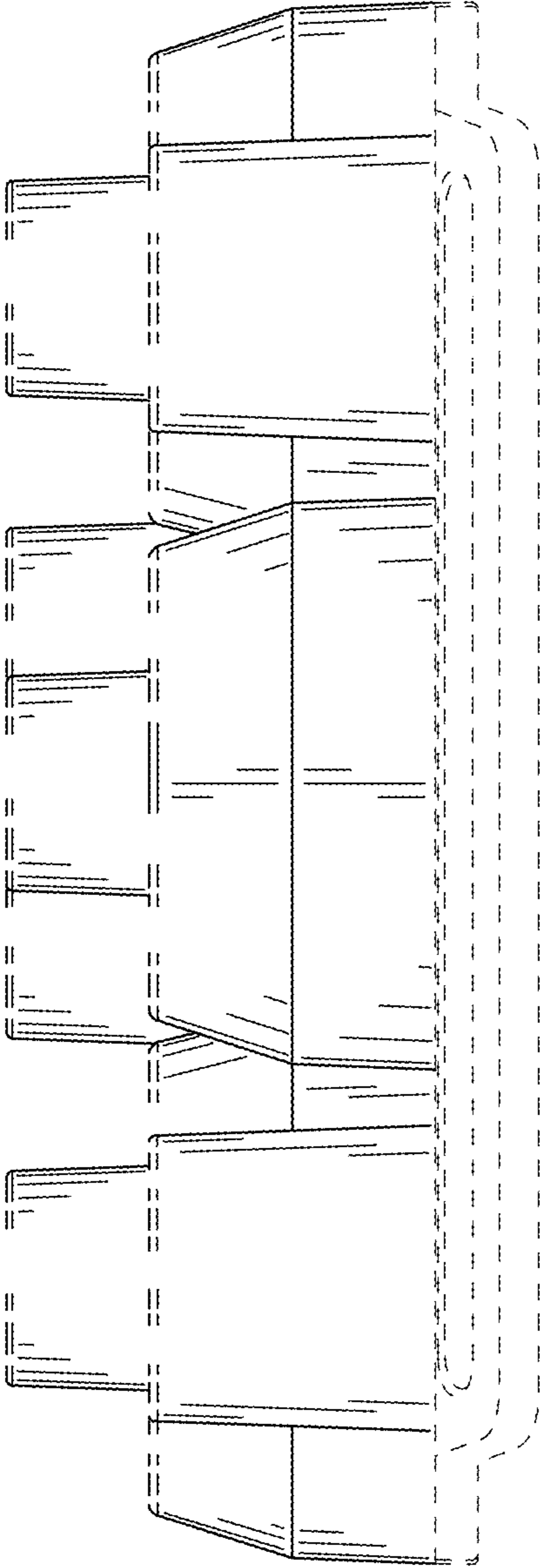


FIG. 8

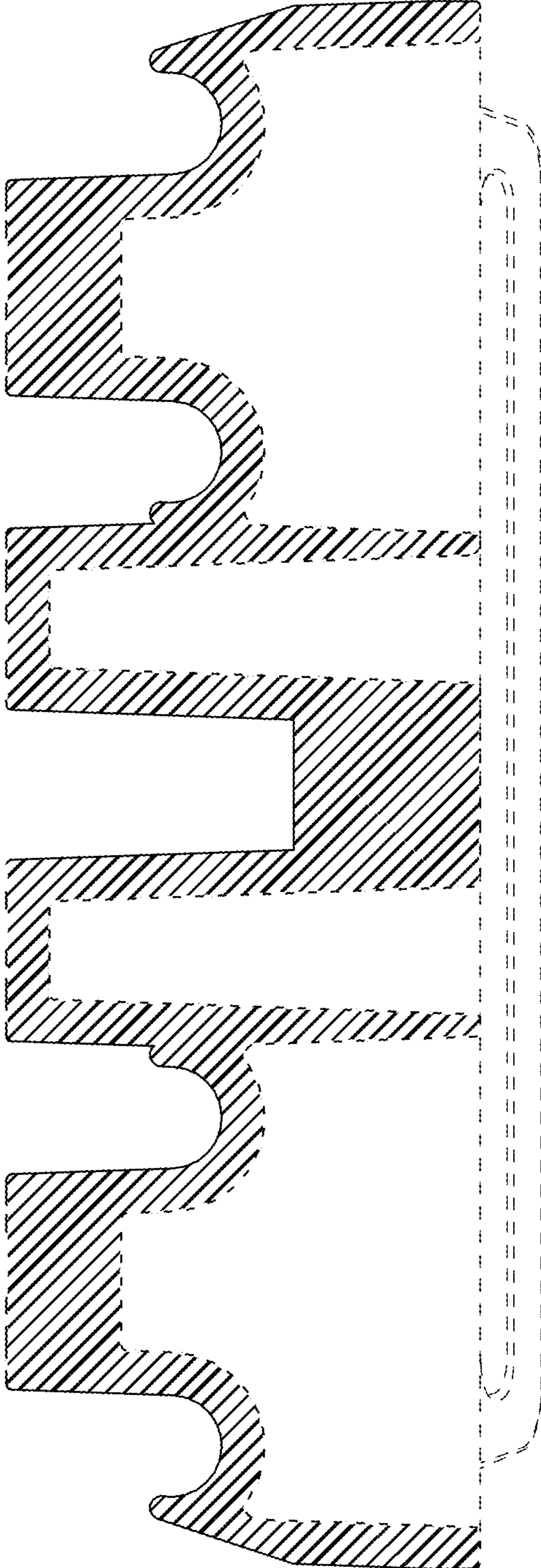


FIG. 9

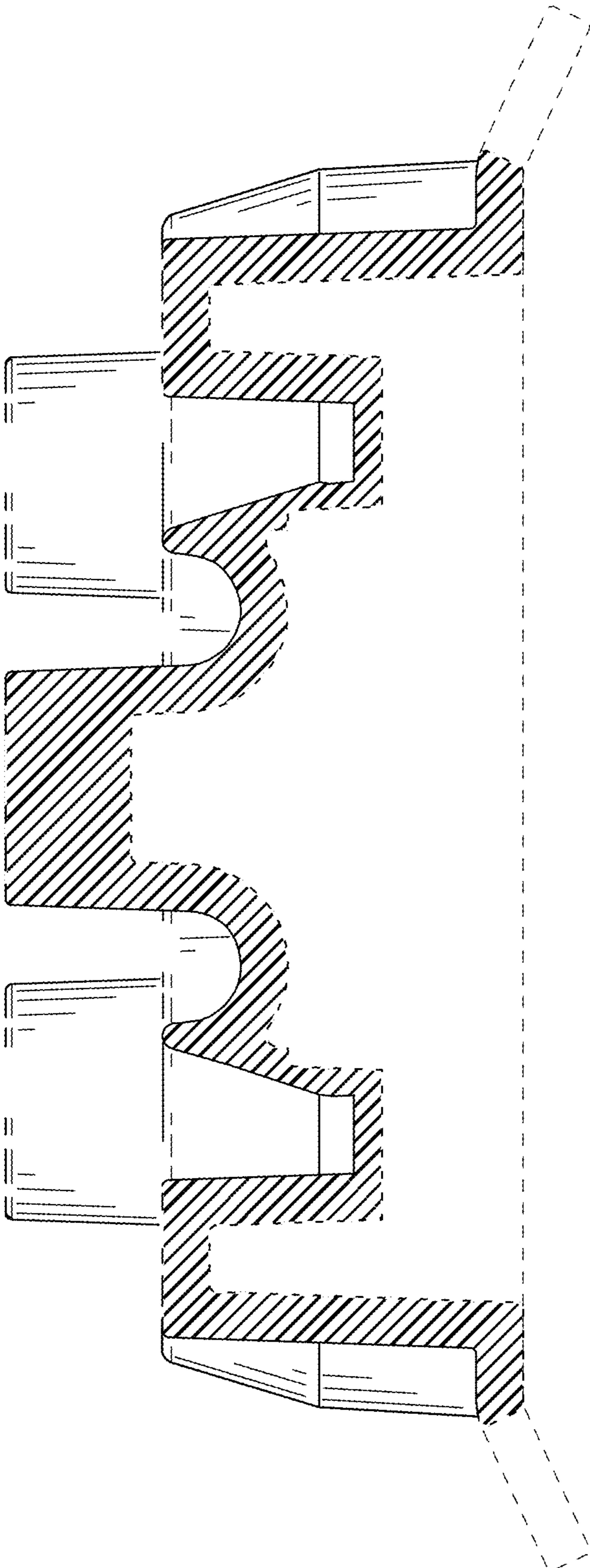


FIG. 10