



US00D814643S

(12) **United States Design Patent** (10) **Patent No.:** **US D814,643 S**
Mockler et al. (45) **Date of Patent:** **** *Apr. 3, 2018**

(54) **FITNESS DEVICE**

(71) Applicant: **Garmin Switzerland GmbH**,
Schaffhausen (CH)

(72) Inventors: **Jared L. Mockler**, Olathe, KS (US);
Warren R. Stevens, Olathe, KS (US);
Gerald A. Hart, Olathe, KS (US);
Surajit Bhaduri, Overland Park, KS
(US)

(73) Assignee: **Garmin Switzerland GmbH** (CH)

(*) Notice: This patent is subject to a terminal disclaimer.

(**) Term: **15 Years**

(21) Appl. No.: **29/543,551**

(22) Filed: **Oct. 26, 2015**

(51) **LOC (11) Cl.** **24-02**

(52) **U.S. Cl.**
USPC **D24/186; D14/344**

(58) **Field of Classification Search**
USPC D24/165-168, 186, 187, 107; D10/70,
D10/65, 97, 98, 30-32, 38; D11/3;
D14/341, 344, 138 R
CPC A61B 5/6802; A61B 5/681; A61B 5/6824;
A61B 5/6831; A61B 2560/0412; A61B
2560/0431; A61B 2560/0443; A61B
2560/0462; A61B 2560/0468; A61B
5/02405; A61B 5/02438; G08B 21/0211
See application file for complete search history.

(56) **References Cited**

U.S. PATENT DOCUMENTS

D711,002 S * 8/2014 Ohnemus D24/186
D715,668 S * 10/2014 Roush D10/70

D724,453 S * 3/2015 Ogihara D10/70
D725,510 S * 3/2015 Henning D10/70
D737,699 S * 9/2015 Chang D10/39
D746,477 S * 12/2015 Cha D24/186
D747,714 S * 1/2016 Erbeus D14/344
D751,069 S * 3/2016 Choi D24/167
D751,549 S * 3/2016 Park D14/344
D755,176 S * 5/2016 Jung D14/344
D759,516 S * 6/2016 Ling D24/167
2014/0200691 A1* 7/2014 Lee A61B 5/1118
700/91

OTHER PUBLICATIONS

Printout from <https://buy.garmin.com/en-US/US/into-sports/health-fitness/vivofit-prod143405.html> published prior to Oct. 26, 2015.
(Continued)

Primary Examiner — Anhdao Doan

(74) *Attorney, Agent, or Firm* — Samuel M. Korte; Max M. Ali

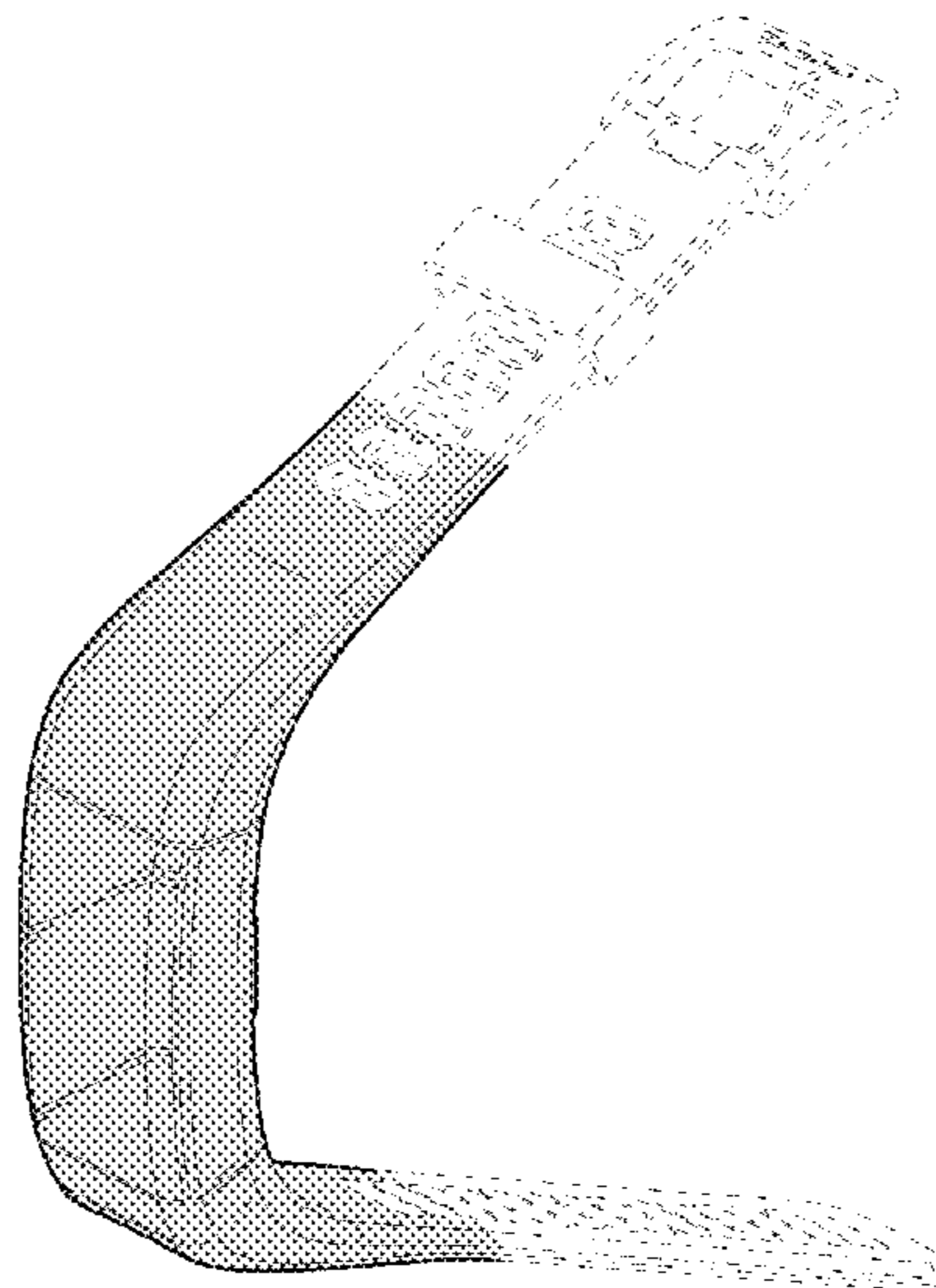
(57) **CLAIM**

The ornamental design for a fitness device, as shown and described.

DESCRIPTION

FIG. 1 is a front perspective view of a fitness device according to the present invention;
FIG. 2 is a rear perspective view of the fitness device;
FIG. 3 is a bottom view of the fitness device;
FIG. 4 is a front view of the fitness device;
FIG. 5 is a top view of the fitness device;
FIG. 6 is a rear view of the fitness device;
FIG. 7 is a left side view of the fitness device; and,
FIG. 8 is a right side view of the fitness device.
The structural features depicted by broken lines have been shown for the purpose of illustrating portions of the fitness device that form no part of the claimed design.

1 Claim, 4 Drawing Sheets



(56)

References Cited

OTHER PUBLICATIONS

Printout from <https://buy.garmin.com/en-US/US/into-sports/health-fitness/vivosmart-/prod154886.html> published prior to Oct. 26, 2015.

Printout from <https://buy.garmin.com/en-US/US/into-sports/health-fitness/vivoactive-/prod150767.html> published prior to Oct. 26, 2015.

Printout from <https://buy.garmin.com/en-US/US/into-sports/health-fitness/vivofit-2/prod504038.html> published prior to Oct. 26, 2015.

Printout from <http://www.cnet.com/products/samsung-gear-fit/> published prior to Oct. 26, 2015.

Printout from <http://www.cnet.com/products/sony-smartband-talk/> published prior to Oct. 26, 2015.

Printout from <http://www.polar.com/en/products/sport/A360> published prior to Oct. 26, 2015.

Printout from <https://www.microsoft.com/microsoft-band/en-us/get-started>, published prior to Oct. 26, 2015.

Images of Fitbit Surge and Charge watch published prior to Oct. 26, 2015.

U.S. Appl. No. 29/543,538, filed Oct. 26, 2015.

* cited by examiner

Fig. 1

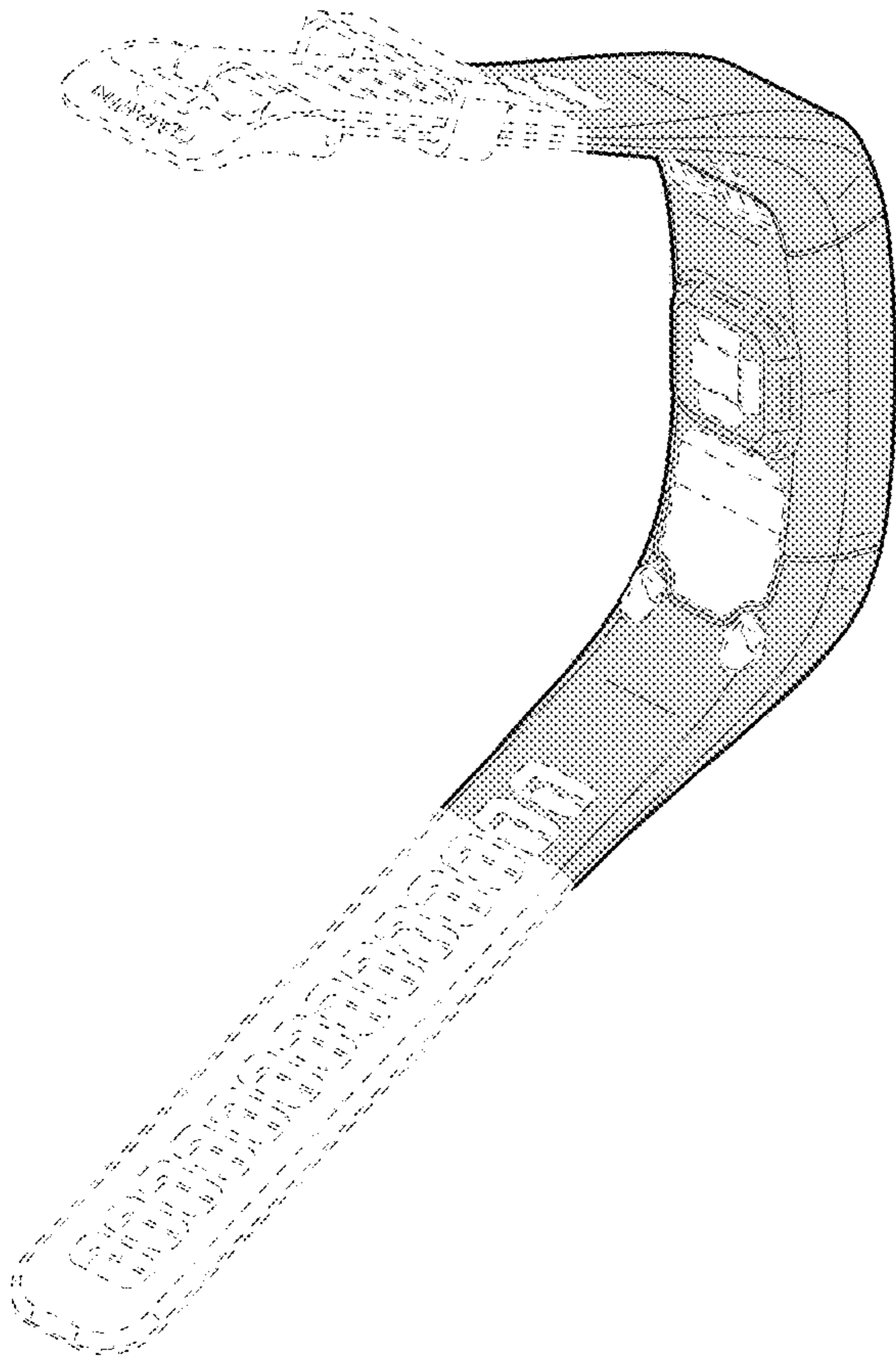
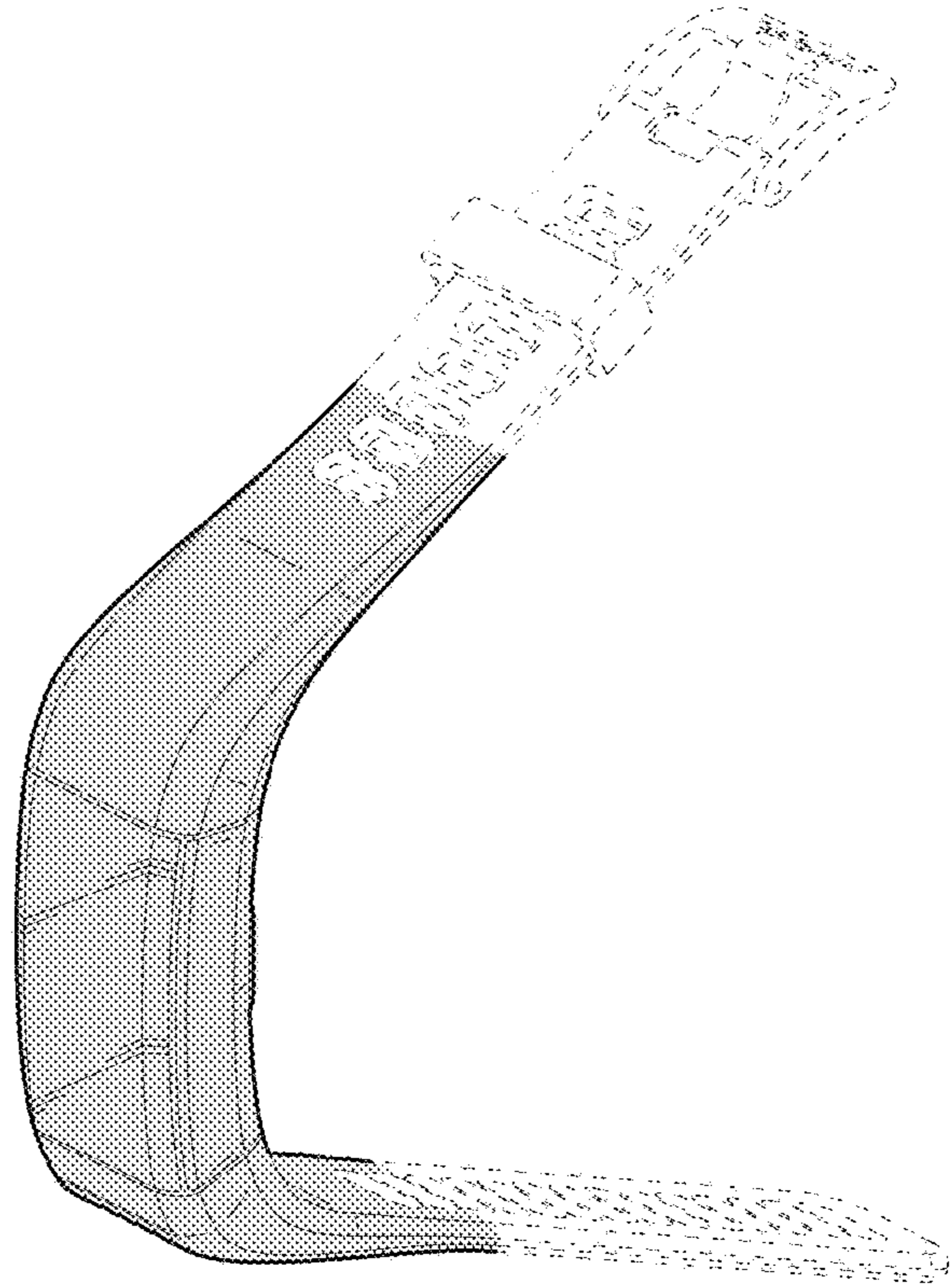


Fig. 2

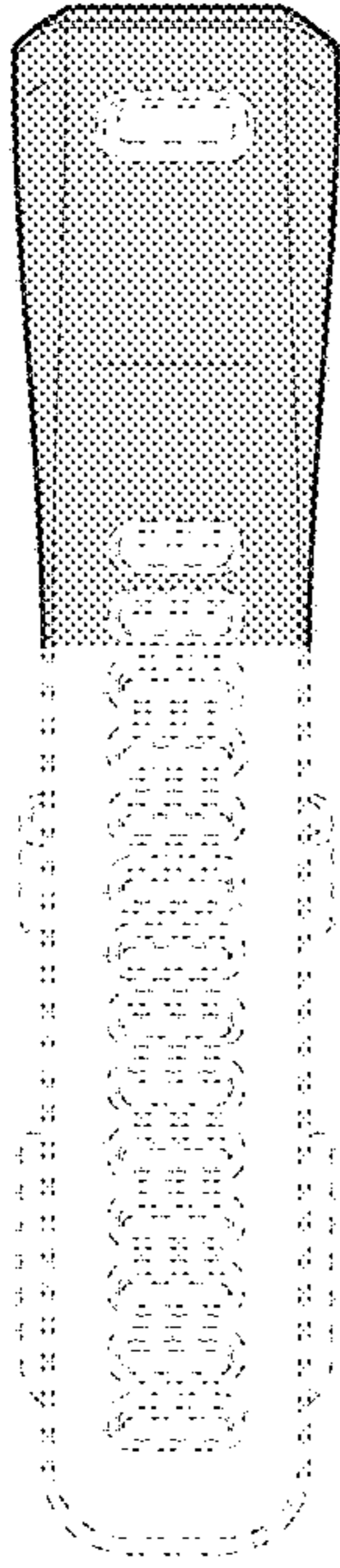


Fig. 3

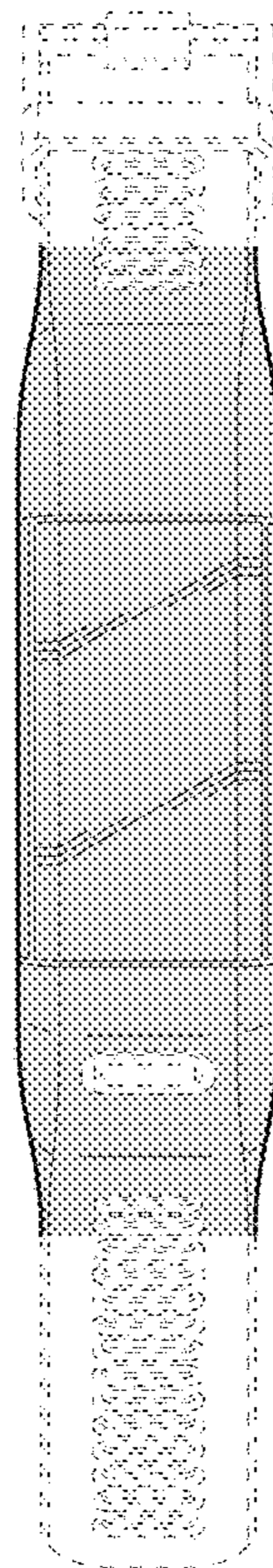


Fig. 4

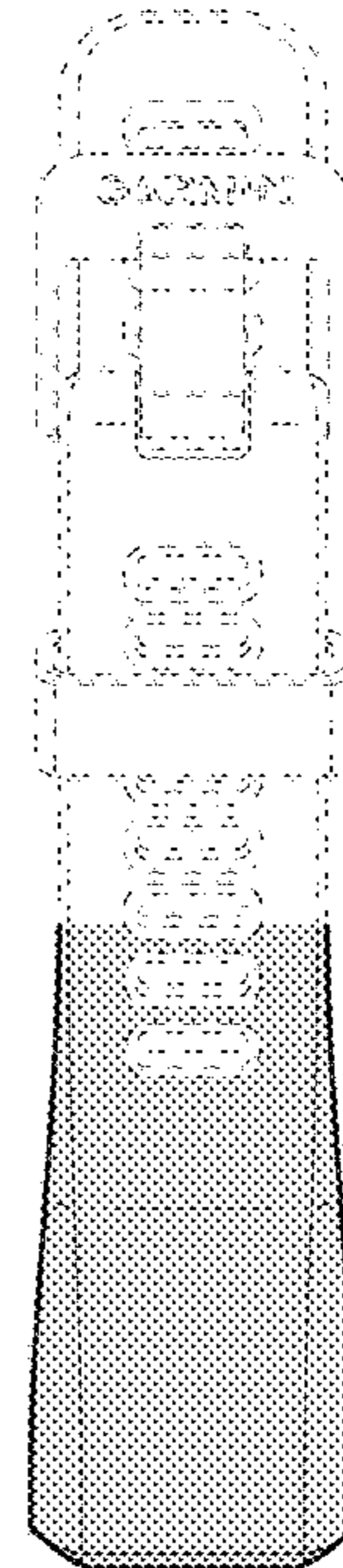


Fig. 5

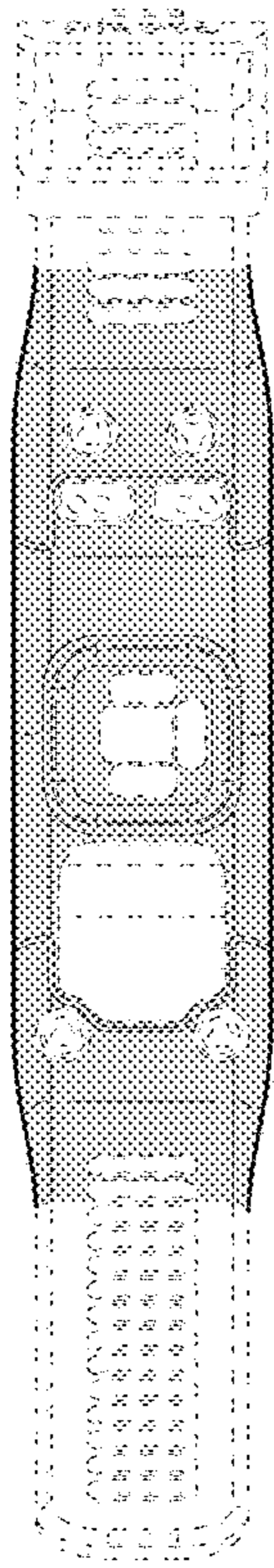


Fig. 6

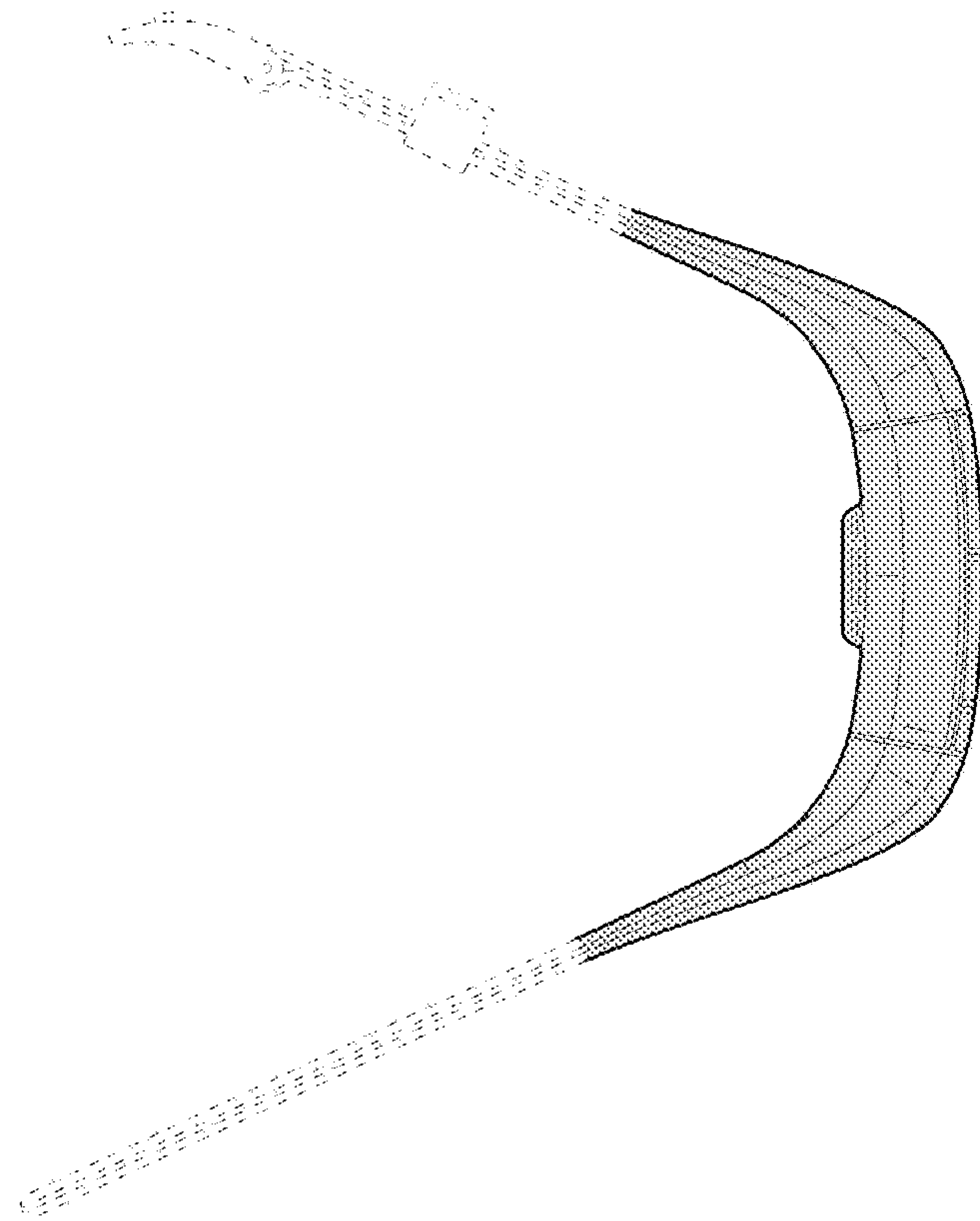


Fig. 7

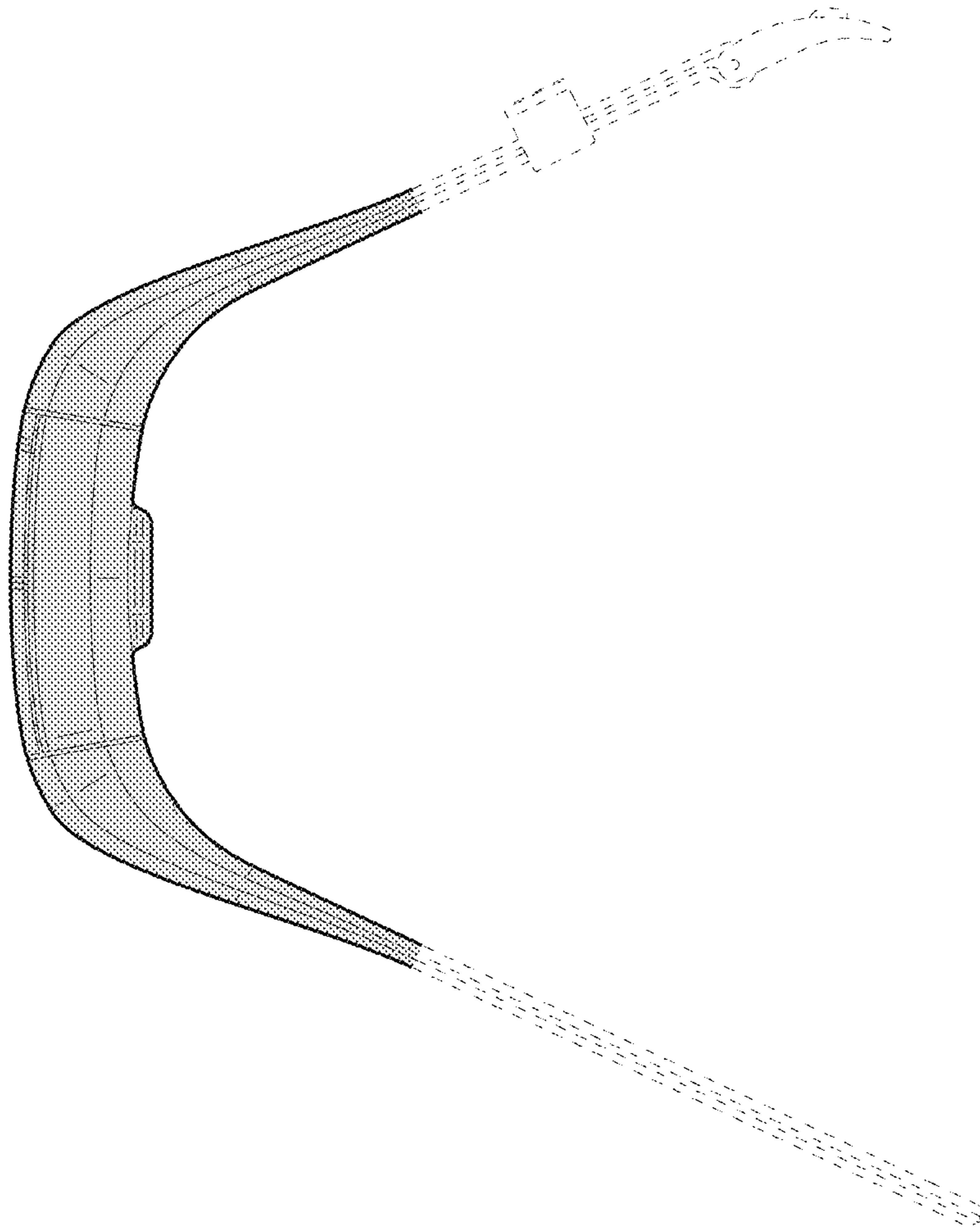


Fig. 8