



US00D814641S

(12) **United States Design Patent**
Burns et al.

(10) **Patent No.:** **US D814,641 S**
(45) **Date of Patent:** **** Apr. 3, 2018**

(54) **MEDICAL DEVICE WITH DISPLAY**

(71) Applicant: **Bruin Biometrics, LLC**, Los Angeles, CA (US)

(72) Inventors: **Martin Fitzgerald Burns**, Los Angeles, CA (US); **Herman Louis Lelie, II**, Sherman Oaks, CA (US); **Rob Andre Pecsar**, San Diego, CA (US)

(73) Assignee: **BRUIN BIOMETRICS, LLC**, Los Angeles, CA (US)

(**) Term: **15 Years**

(21) Appl. No.: **29/566,808**

(22) Filed: **Jun. 2, 2016**

(51) **LOC (11) Cl.** **24-02**

(52) **U.S. Cl.**

USPC **D24/185**

(58) **Field of Classification Search**

USPC D24/158–160, 164, 170, 177, 183–186, D24/231; D4/406.1–406.2; D13/163

CPC F16M 11/42; F16M 2013/025; F16M 2013/026; F16M 2013/027; A61M 5/1415; A61B 50/10; A61B 50/13; A61B 8/4405; A47C 7/004; A47C 7/006; A47B 13/023; A47B 2013/025; A47B 2013/026; A47B 2013/027

See application file for complete search history.

(56) **References Cited**

U.S. PATENT DOCUMENTS

D405,443 S *	2/1999	Marsh	D12/345
D425,036 S *	5/2000	Copus	D14/126
D518,063 S *	3/2006	Piazza	D14/452
D552,568 S *	10/2007	Harper	D14/126
D553,107 S *	10/2007	Harper	D14/126
D568,888 S *	5/2008	Eyman	D14/451

D594,126 S *	6/2009	Tamburrino	D24/185
D597,764 S *	8/2009	Topcuoglu	D20/10
D657,470 S *	4/2012	Schon	D24/186
D671,545 S *	11/2012	Guran	D14/447
D704,709 S *	5/2014	Bussoli	D14/128

* cited by examiner

Primary Examiner — Sheryl Lane

Assistant Examiner — Calvin E Vansant

(74) *Attorney, Agent, or Firm* — David R. Marsh; Arnold & Porter Kaye Scholer LLP

(57) **CLAIM**

The ornamental design for a medical device with display, as shown and described.

DESCRIPTION

FIG. 1 is a perspective view of a medical device with a display.

FIG. 2 is a front view of the medical device of FIG. 1.

FIG. 3 is a rear view of the medical device of FIG. 1.

FIG. 4 is a left-hand-side view of the medical device of FIG. 1.

FIG. 5 is a right-hand-side view of the medical device of FIG. 1.

FIG. 6 is a top view of the medical device of FIG. 1; and, FIG. 7 is a bottom view of the medical device of FIG. 1.

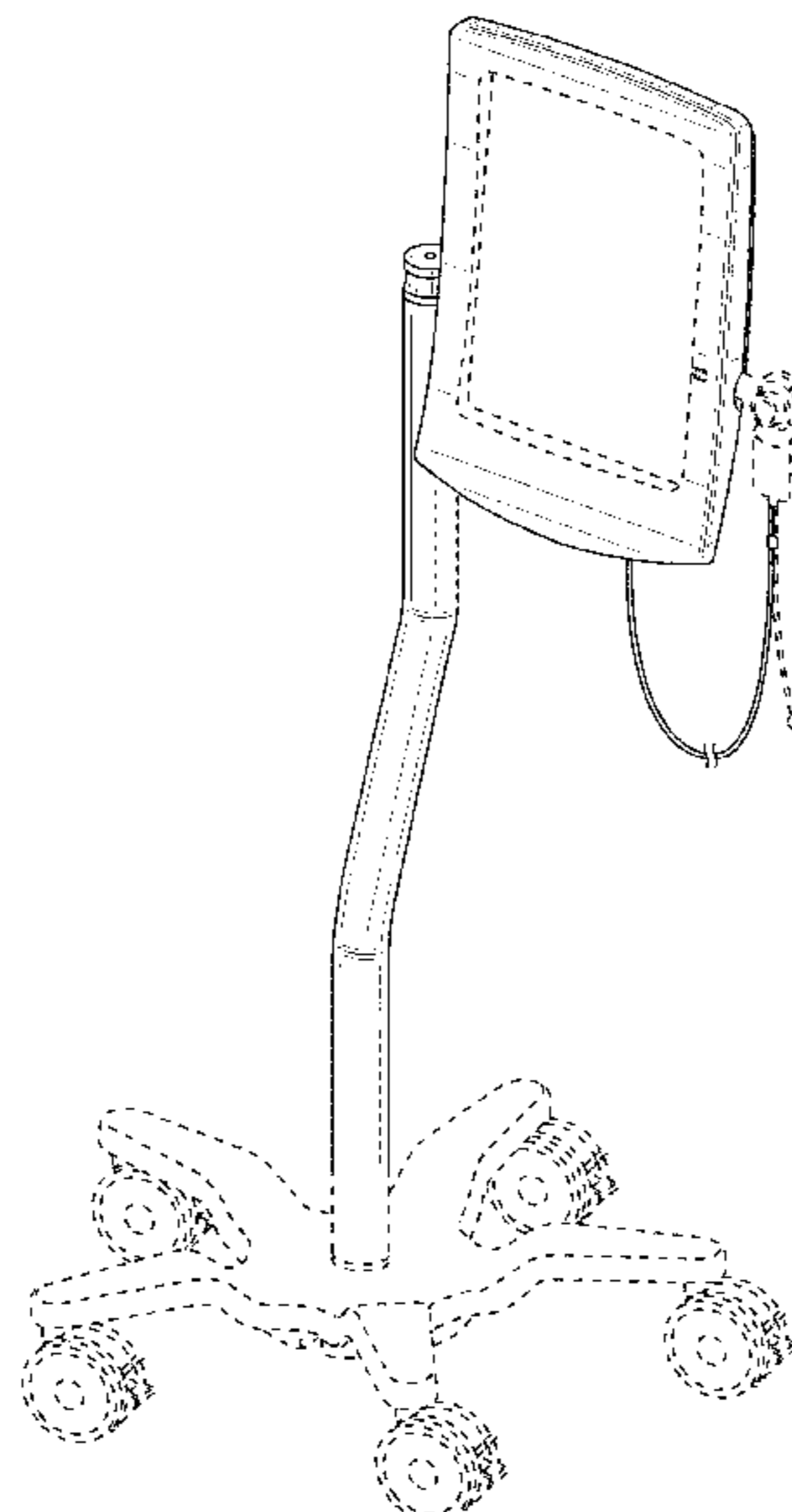
The medical device with display is shown with a symbolic break, the appearance of any portion of the article between the break lines forms no part of the claimed design.

The broken lines depict portions of the medical device with display that form no part of the claim.

In addition, the medical device with display may be of any color, shade, or combination of color and shades.

Also, the references to “perspective,” “front,” “back,” “side,” and “top” views in the Figure and Descriptions are not necessarily meant to require any specific orientation of the article as viewed. A medical device according to the claimed design may be used in any orientation.

1 Claim, 7 Drawing Sheets



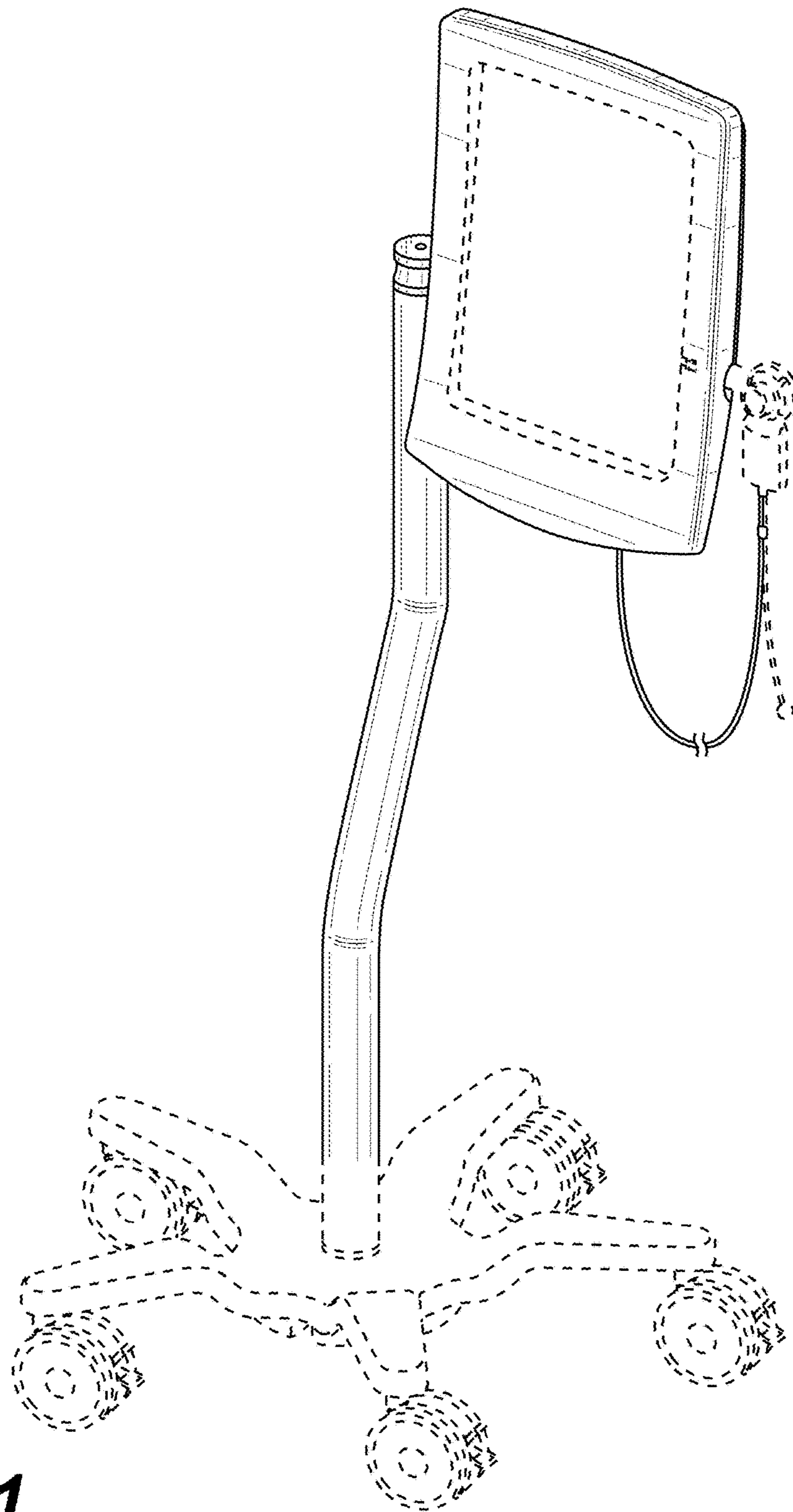


FIG. 1

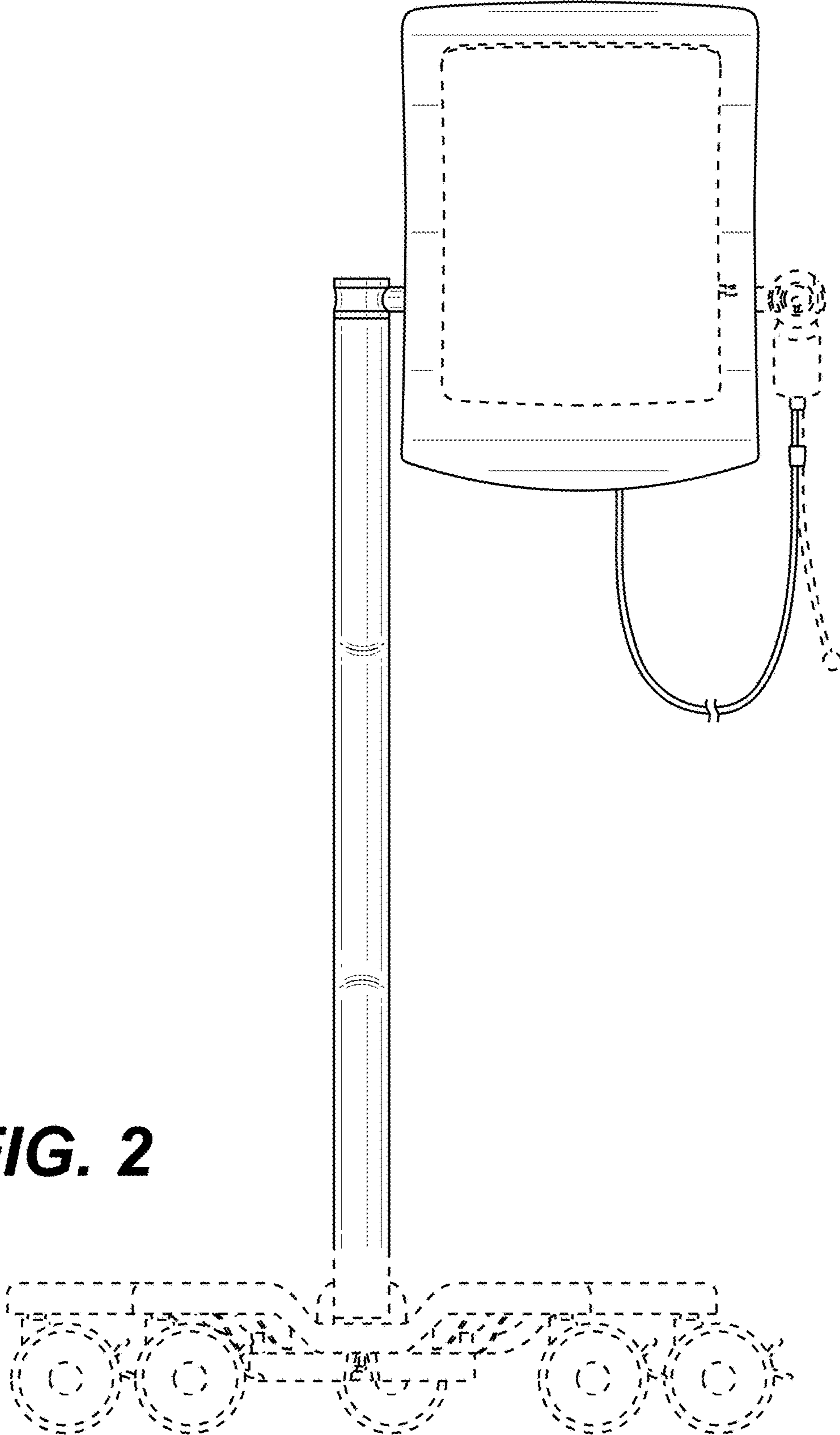


FIG. 2

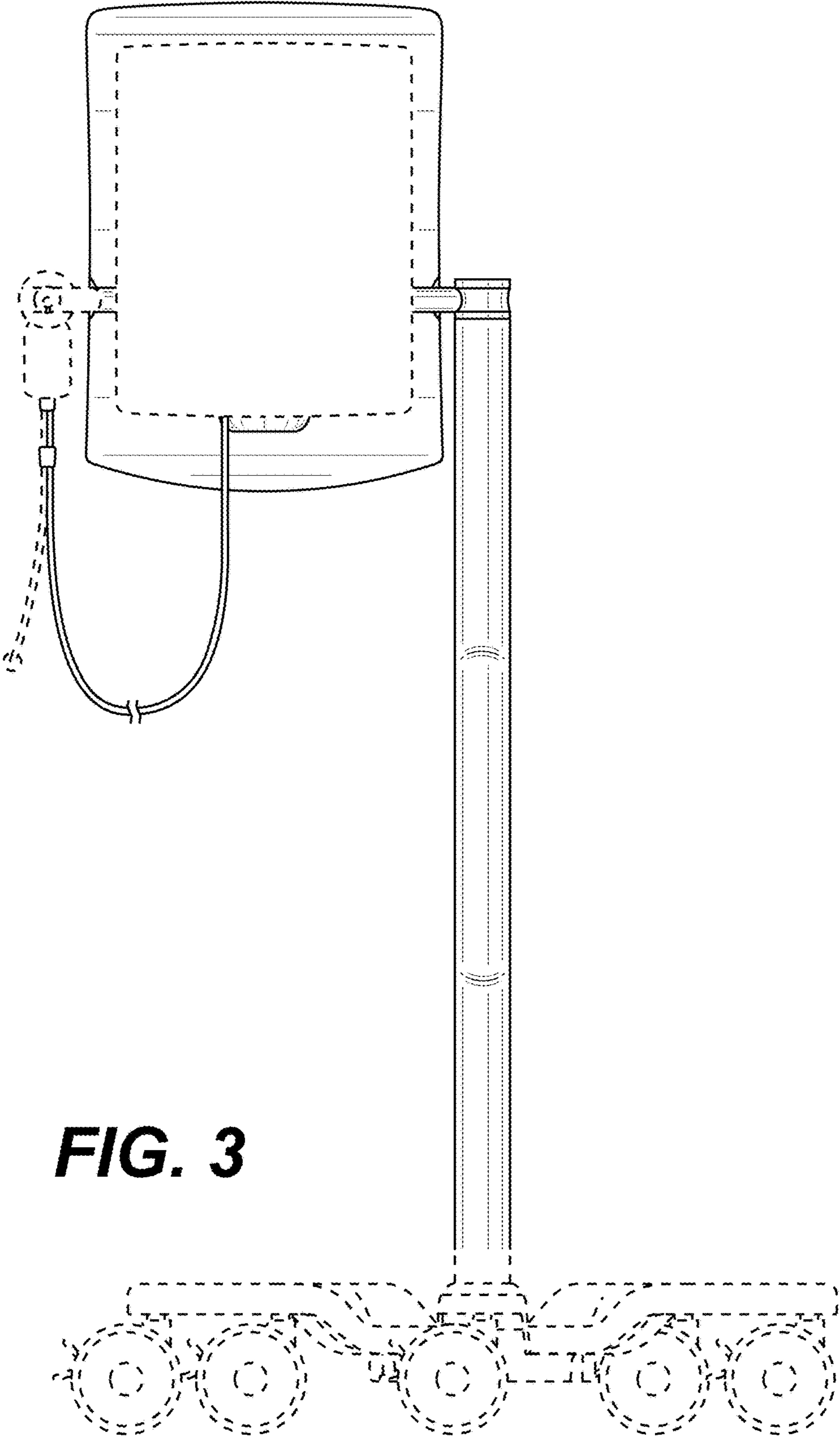


FIG. 3

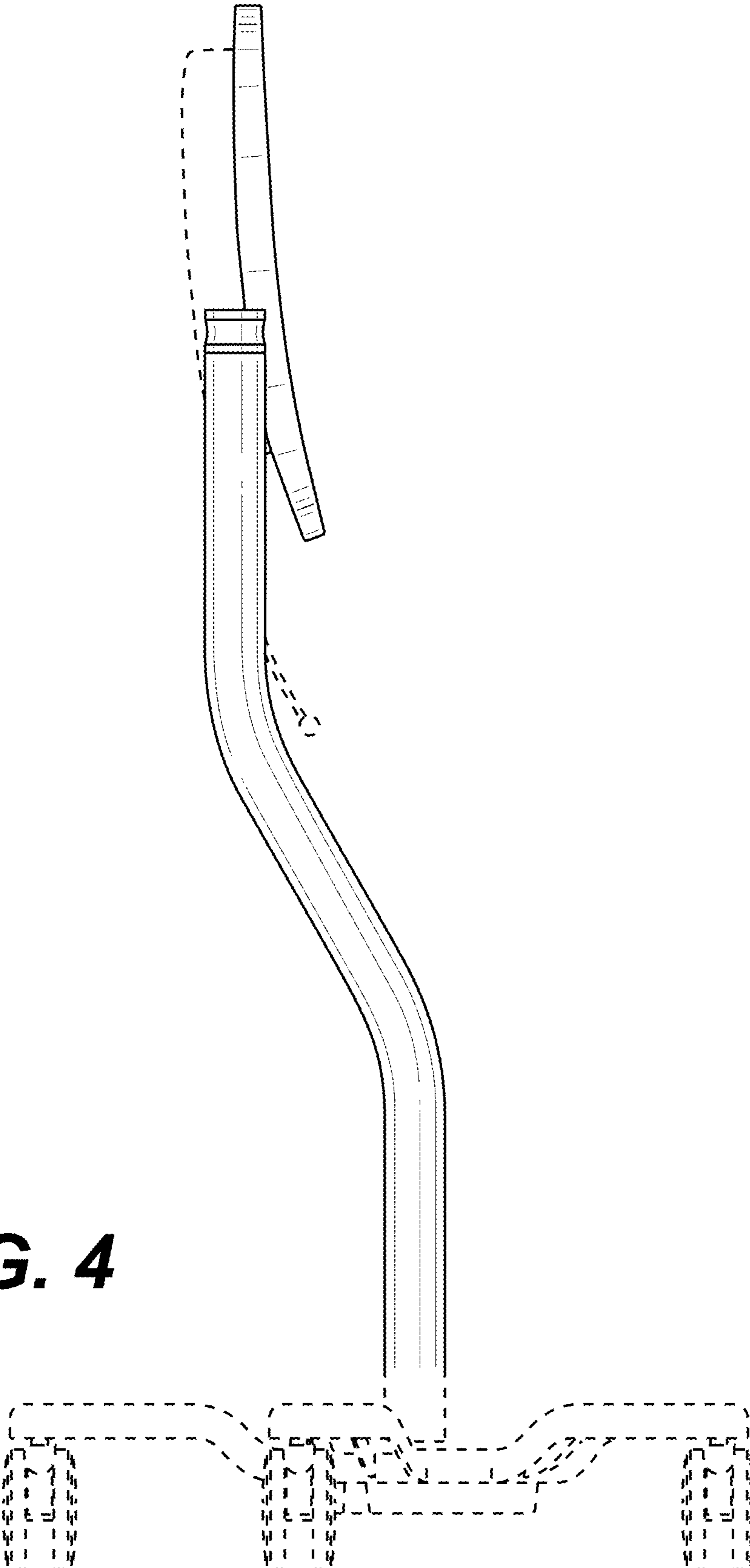
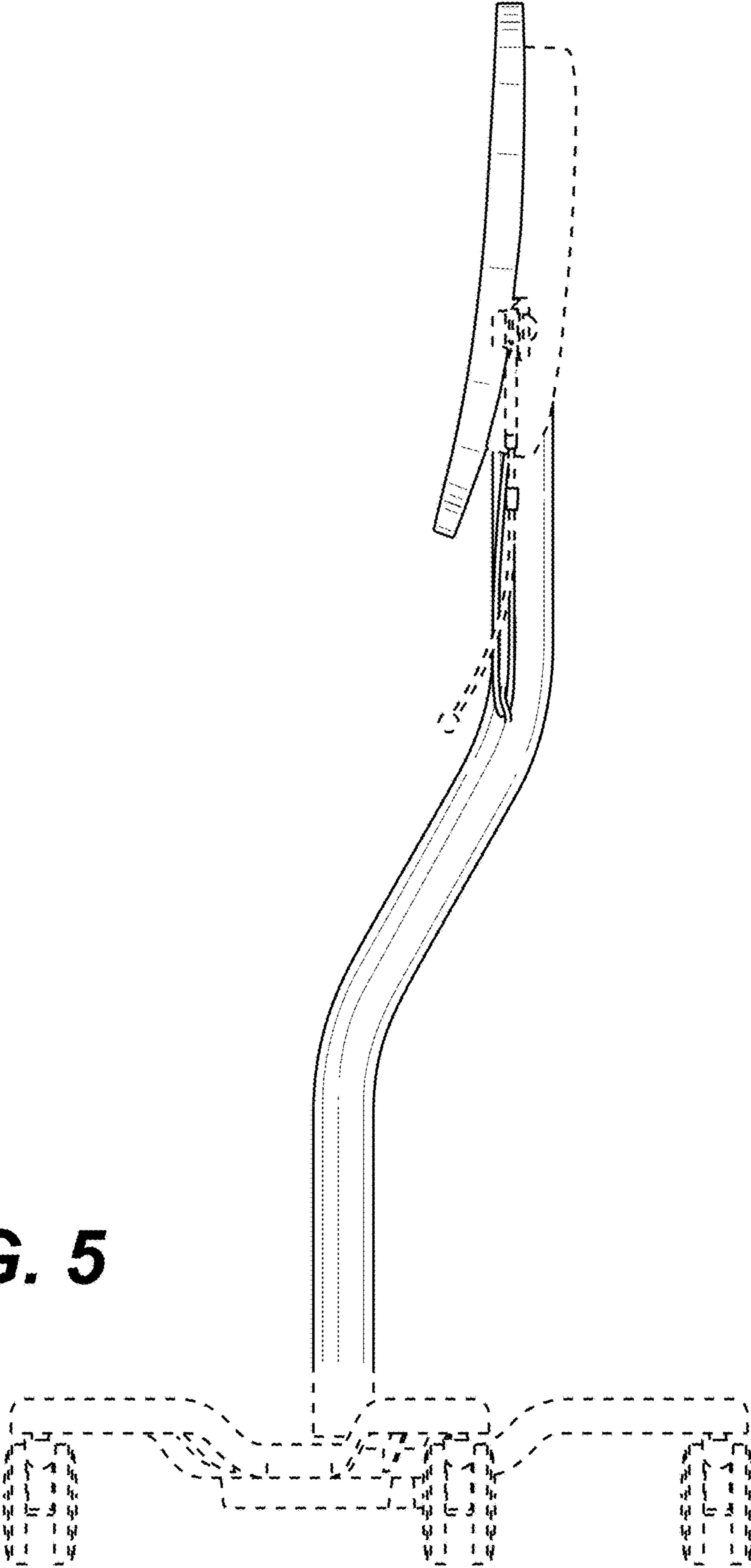


FIG. 4



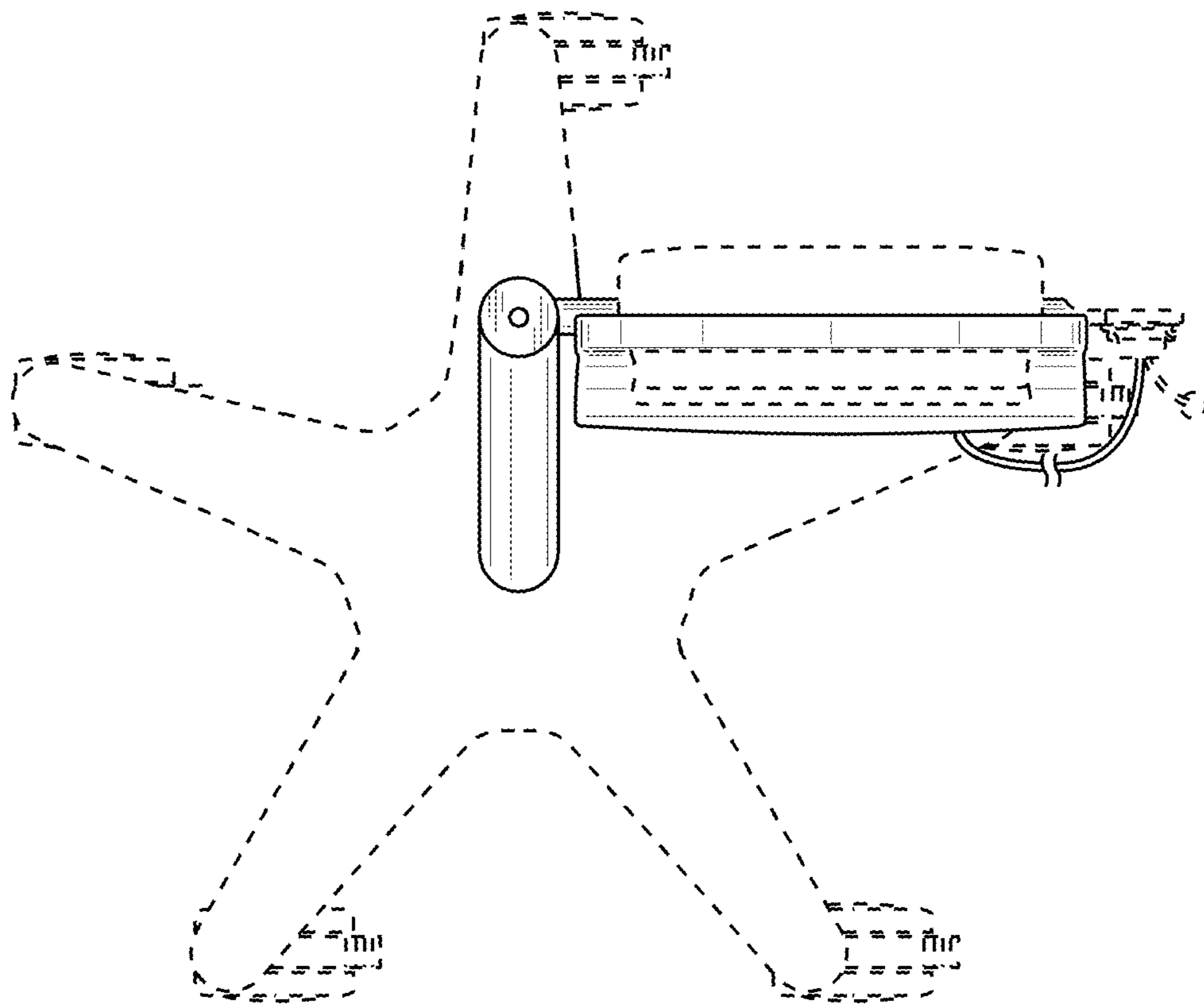


FIG. 6

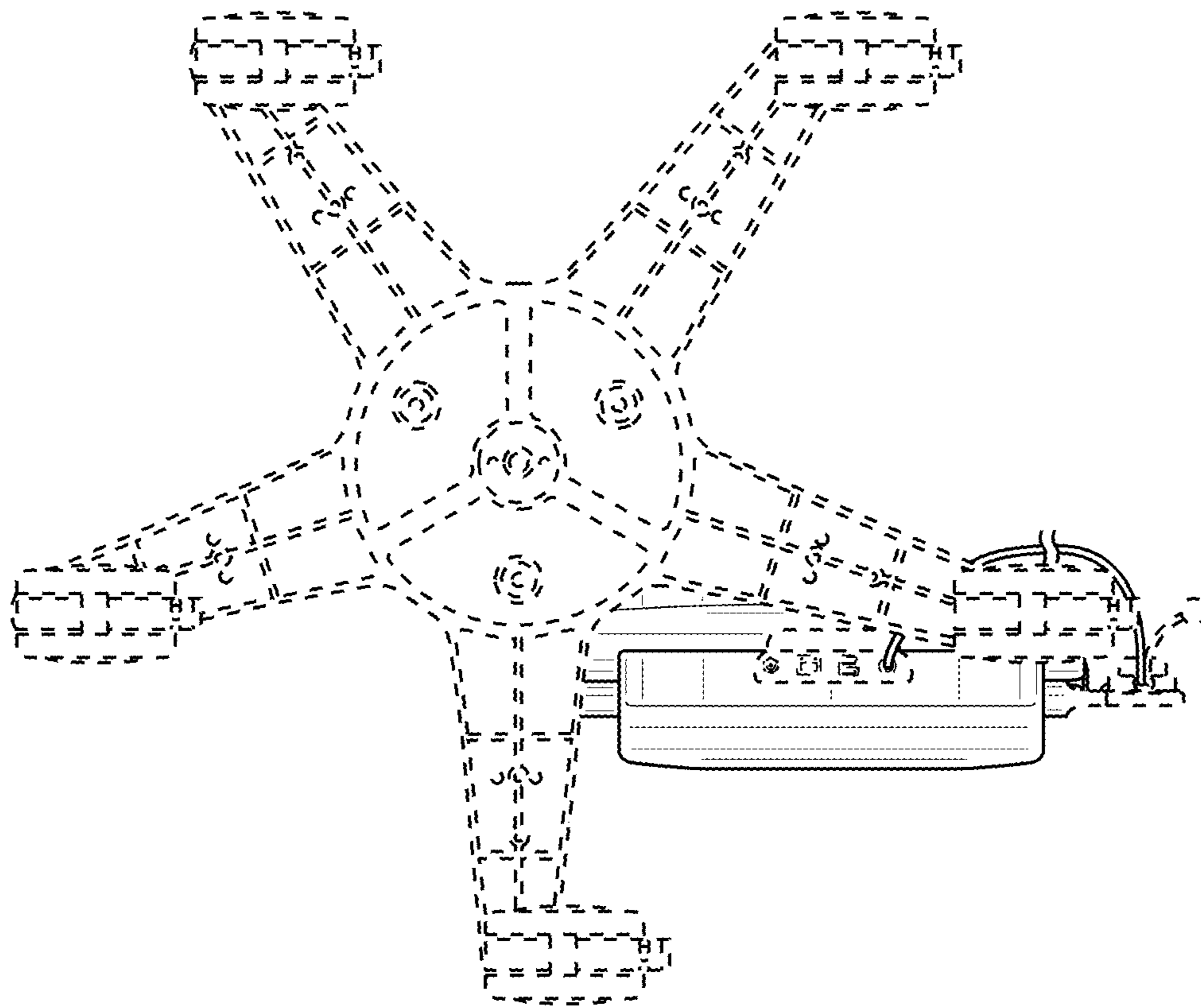


FIG. 7