



US00D814636S

(12) **United States Design Patent** (10) **Patent No.:** **US D814,636 S**  
**Boudier** (45) **Date of Patent:** **\*\* Apr. 3, 2018**

(54) **BREAST IMAGING POSITIONER**  
(71) Applicant: **General Electric Company,**  
Schenectady, NY (US)  
(72) Inventor: **Aurelie Boudier,** Bois d'Arcy (FR)  
(73) Assignee: **General Electric Company,**  
Schenectady, NY (US)  
(\*\*) Term: **15 Years**  
(21) Appl. No.: **29/555,952**  
(22) Filed: **Feb. 25, 2016**  
(51) **LOC (11) Cl.** ..... **24-01**  
(52) **U.S. Cl.**  
USPC ..... **D24/158**  
(58) **Field of Classification Search**  
USPC ..... D24/158-161, 183, 185, 186, 107  
(Continued)

(56) **References Cited**  
U.S. PATENT DOCUMENTS  
D563,553 S \* 3/2008 Saito ..... D24/158  
D659,833 S \* 5/2012 Ogura ..... D24/158  
(Continued)

*Primary Examiner* — Anhdao Doan  
(74) *Attorney, Agent, or Firm* — McCoy Russell LLP

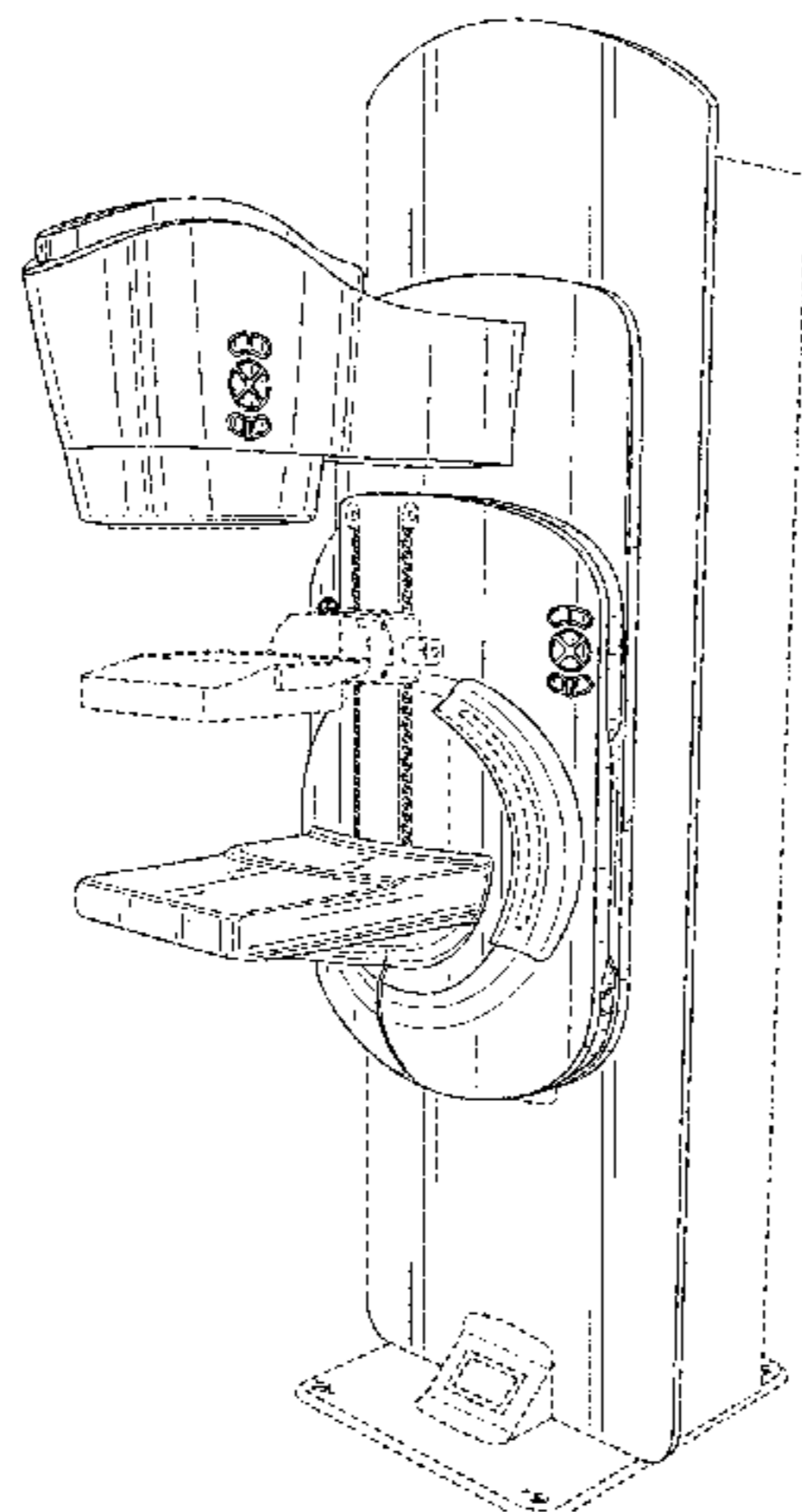
(57) **CLAIM**  
The ornamental design for a breast imaging positioner, as shown and described.

**DESCRIPTION**

FIG. 1 is a right perspective view of a design for a breast imaging positioner for a mammography system.  
FIG. 2 is a front view of the breast imaging positioner of FIG. 1.

FIG. 3 is a right perspective view of the breast imaging positioner of FIG. 1 with the upper compression tray removed.  
FIG. 4 is a left perspective view of the positioner of FIG. 1 with the upper compression tray removed.  
FIG. 5 is an off-center top view of the breast imaging positioner of FIG. 1 with the upper compression tray removed.  
FIG. 6 is a right side view of the breast imaging positioner of FIG. 1 with the upper compression tray removed.  
FIG. 7 is a front view of the breast imaging positioner of FIG. 1 with the upper compression tray removed.  
FIG. 8 is a back view of the positioner support of the breast imaging positioner of FIG. 1, with the broken lines forming no part of the claimed design.  
FIG. 9 is a bottom view of the breast imaging positioner of FIG. 1 from a perspective above the base plate.  
FIG. 10 is a right side view of the breast imaging positioner of FIG. 1 with a headrest shown in environment.  
FIG. 11 is a right perspective view of a second embodiment of the BREAST imaging positioner with the back, top, and sides of the positioner indicated with lighter density stippling, with the lower compression tray indicated with heavier density stippling, and with the lighter density stippling and heavier density stippling indicating contrast in appearance.  
FIG. 12 is a front view of the breast imaging positioner of FIG. 11.  
FIG. 13 is a left perspective view of the breast imaging positioner of FIG. 11 with the upper compression tray removed.  
FIG. 14 is an off-center top view of the breast imaging positioner of FIG. 11 with the upper compression tray removed.  
FIG. 15 is a right side view of the breast imaging positioner of FIG. 11 with the upper compression tray removed.  
FIG. 16 is a front view of the breast imaging positioner of FIG. 11 with the upper compression tray removed.  
FIG. 17 is a back view of the positioner support of the breast imaging positioner of FIG. 11, with the broken lines forming no part of the claimed design.  
FIG. 18 is a bottom view of the positioner of FIG. 11 from a perspective below the base plate.

(Continued)



FIGS. 1 and 2 illustrate a breast imaging positioner for a mammography system with an upper compression tray and sliding rails in environment. FIGS. 3-7 illustrate the breast imaging positioner with the upper compression tray removed. FIG. 8 illustrates a pattern for ventilation on the back view of the positioner support of the breast imaging positioner. FIG. 9 illustrates a bottom view of the breast imaging positioner from a perspective above the base plate. FIG. 10 illustrates the breast imaging positioner with the headrest and upper compression tray in environment. FIGS. 11-18 illustrate a second embodiment of the breast imaging positioner. The shading in FIGS. 11-18 includes the lighter density stippling on the back, top, and sides of the breast imaging positioner and the heavier density stippling for the lower compression tray, with the lighter density stippling and heavier density stippling indicating contrast in appearance. FIGS. 11 and 12 illustrate the breast imaging positioner with the upper compression tray and sliding rails in environment. FIGS. 13-16 illustrate the breast imaging positioner with the upper compression tray removed. FIG. 17 illustrates a pattern for ventilation on the back view of the positioner support of the breast imaging positioner. FIG. 18 illustrates a bottom view of the breast imaging positioner from a perspective below the base plate.

The broken lines in FIGS. 1-18 are included for the purpose of illustrating environmental structure and form no part of the claimed design.

**1 Claim, 18 Drawing Sheets**

(58) **Field of Classification Search**

CPC ..... A61B 6/055; A61B 6/502; A61B 8/0825;  
A61B 8/0414; A61B 8/4416; G06T  
2207/30068

See application file for complete search history.

(56)

**References Cited**

U.S. PATENT DOCUMENTS

D669,989	S *	10/2012	Boudier	.....	D24/158
D724,735	S *	3/2015	Harverson	.....	D24/158
D728,106	S *	4/2015	Laukkanen	.....	D24/158
9,364,190	B2 *	6/2016	Lee	.....	A61B 6/502
D767,140	S *	9/2016	Yao	.....	D24/158
2009/0080186	A1 *	3/2009	Helmreich	.....	A61B 5/055 362/231
2009/0304159	A1 *	12/2009	Meer	.....	A61B 6/502 378/208
2015/0023476	A1 *	1/2015	Muller	.....	A61B 6/025 378/208
2017/0000433	A1 *	1/2017	Tsujii	.....	A61B 6/502

\* cited by examiner

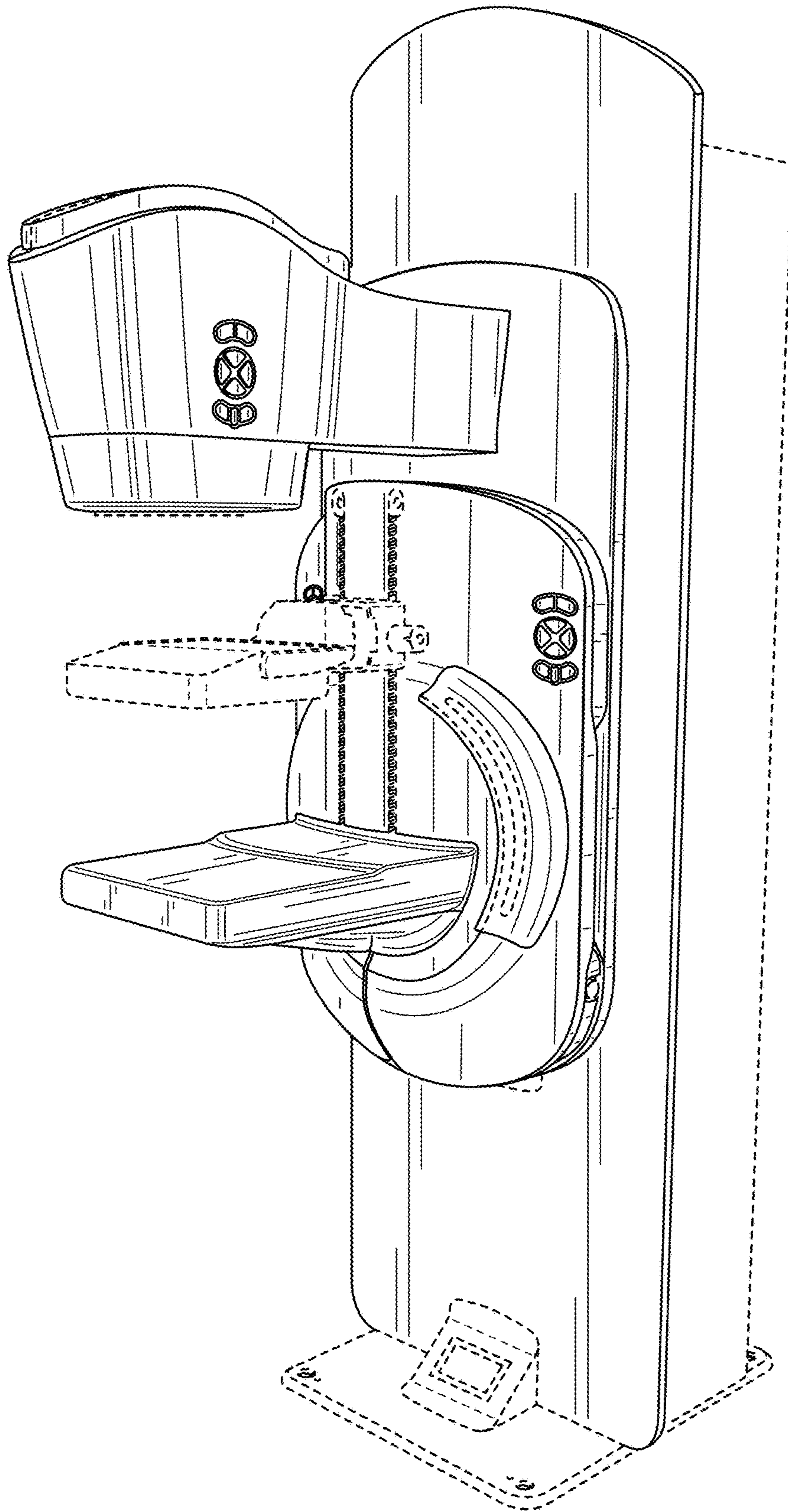


FIG. 1

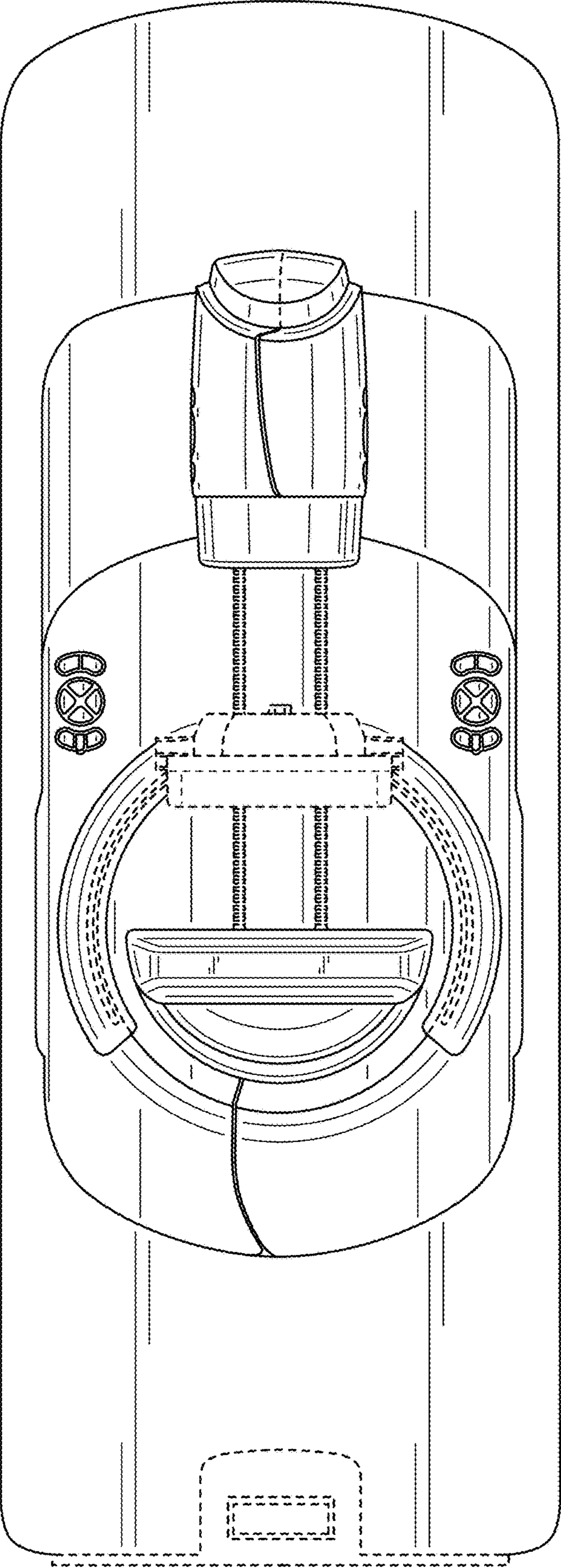


FIG. 2

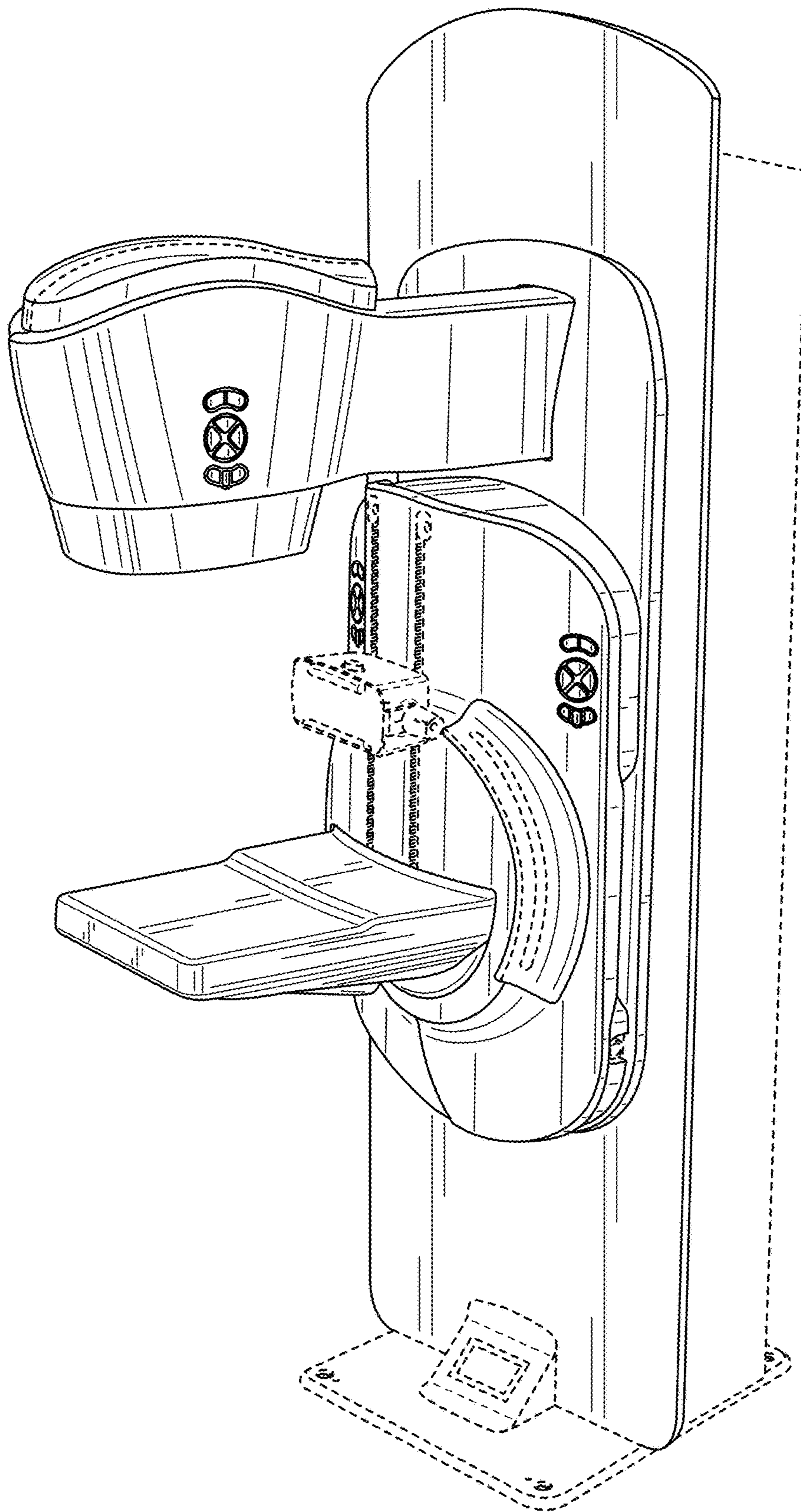


FIG. 3

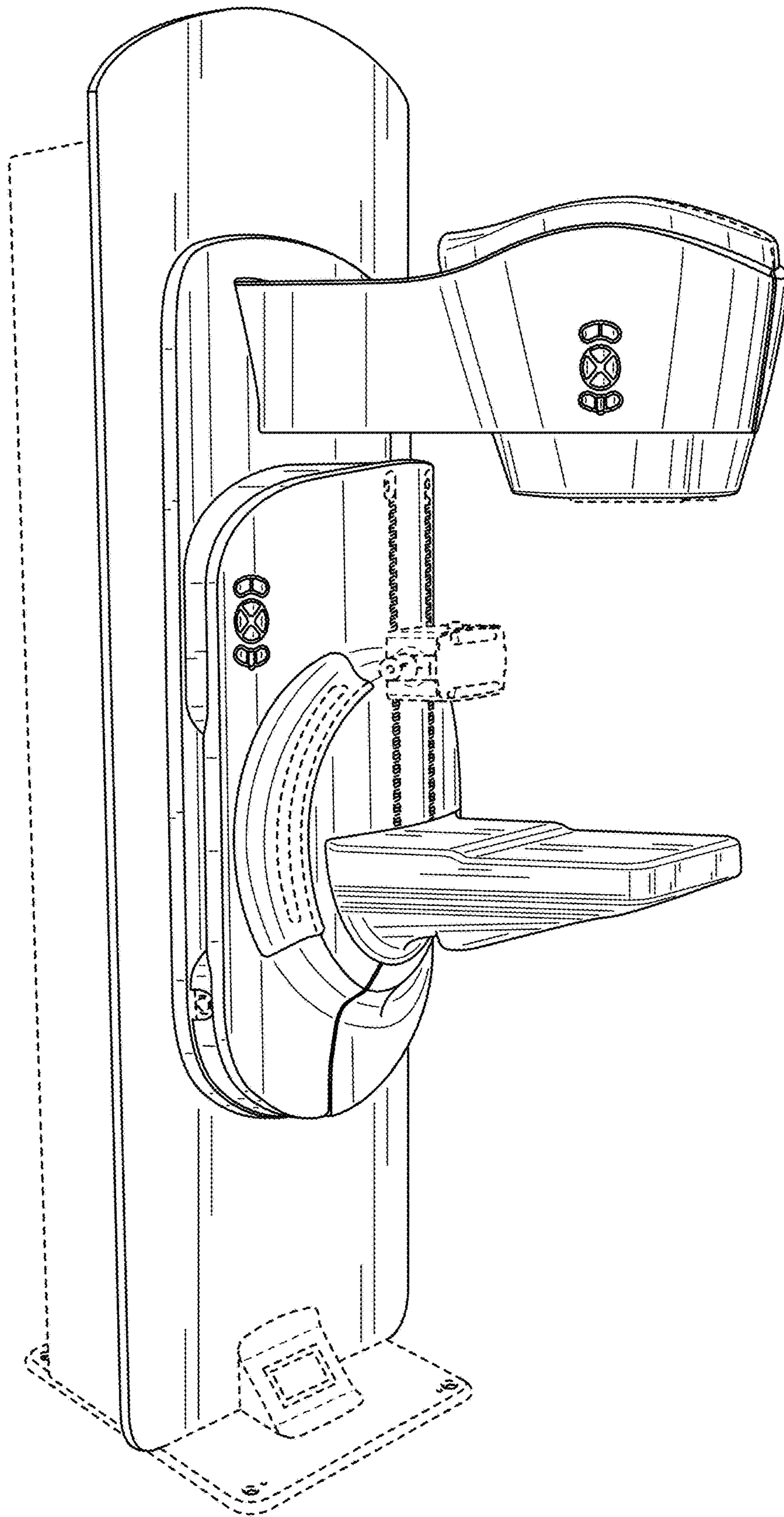


FIG. 4

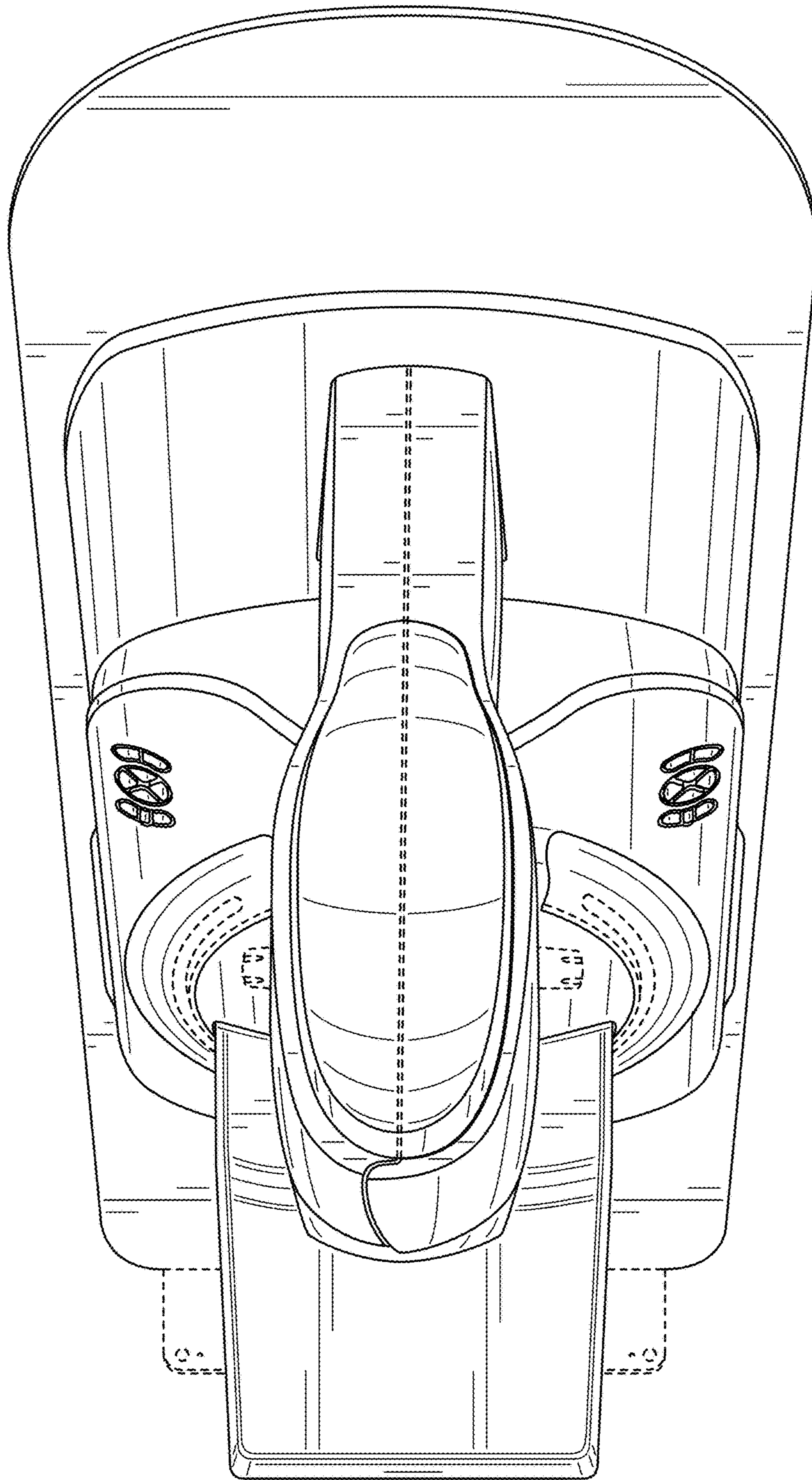


FIG. 5

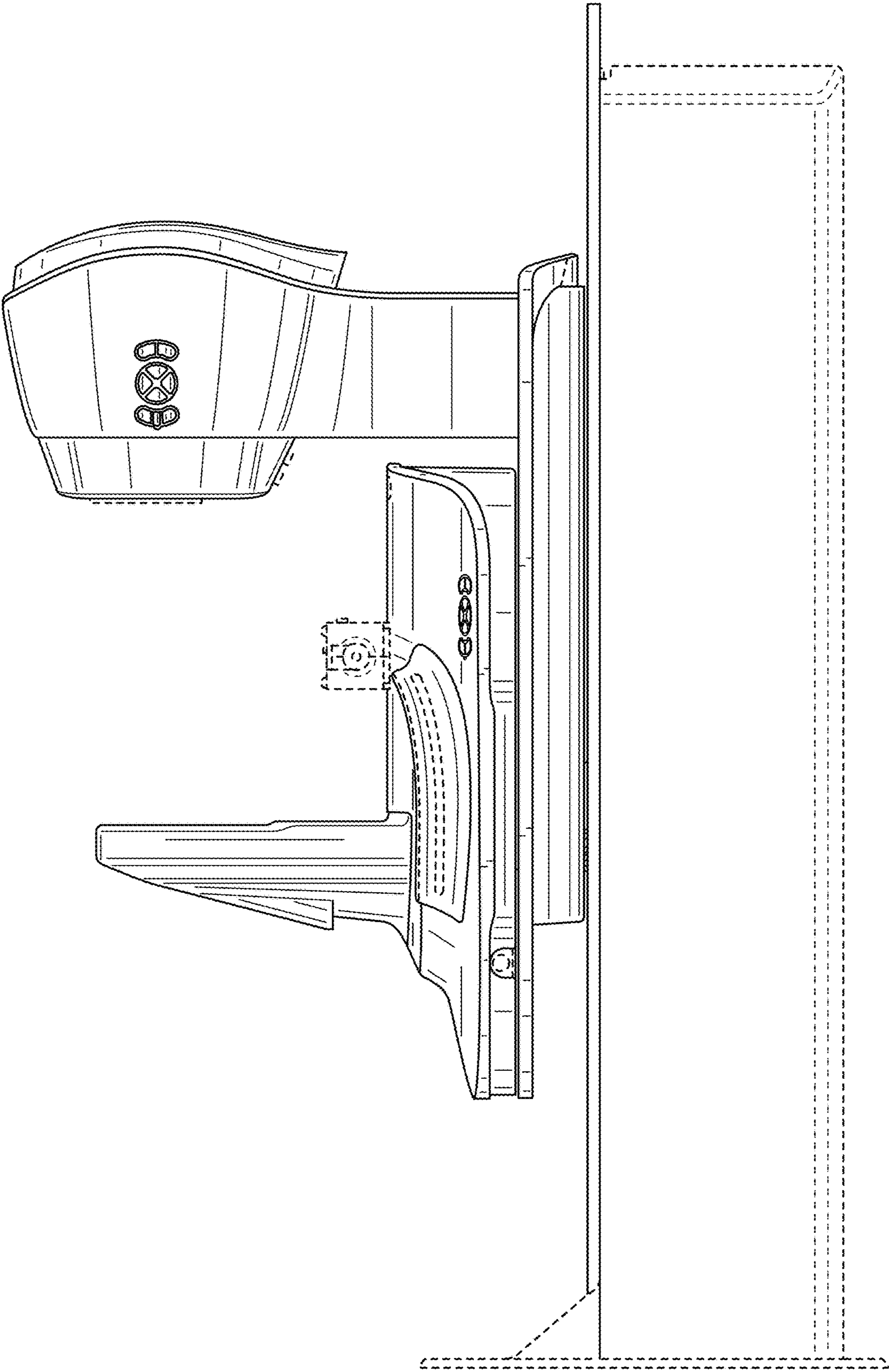


FIG. 6



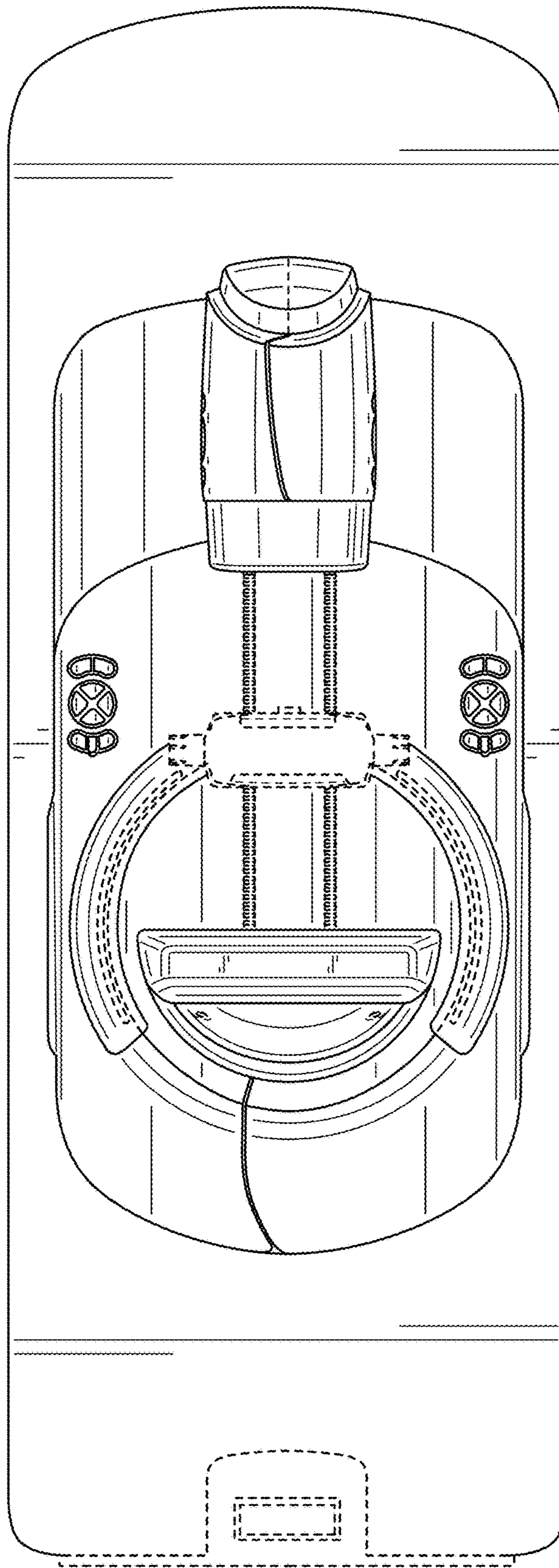


FIG. 7

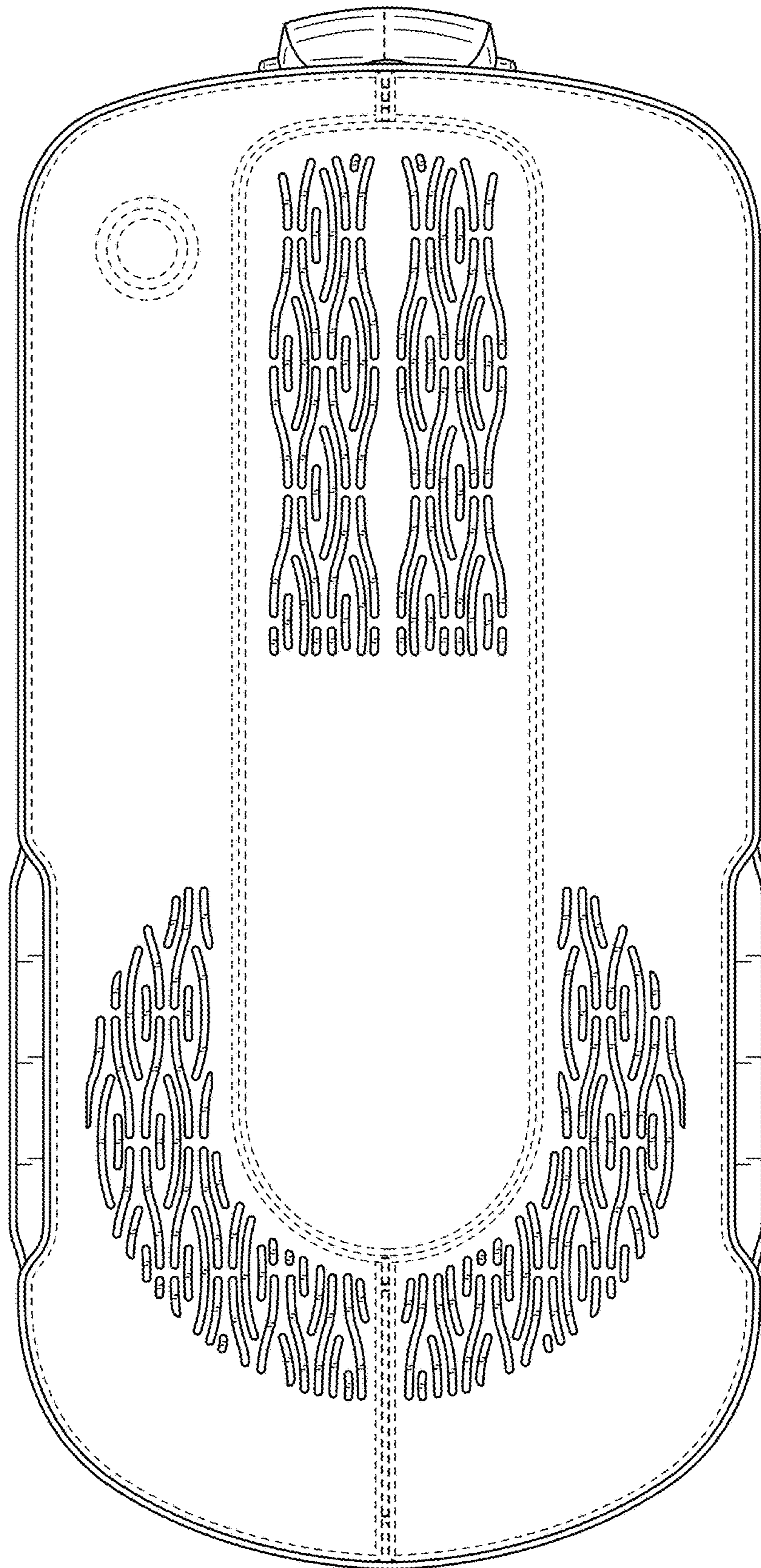


FIG. 8

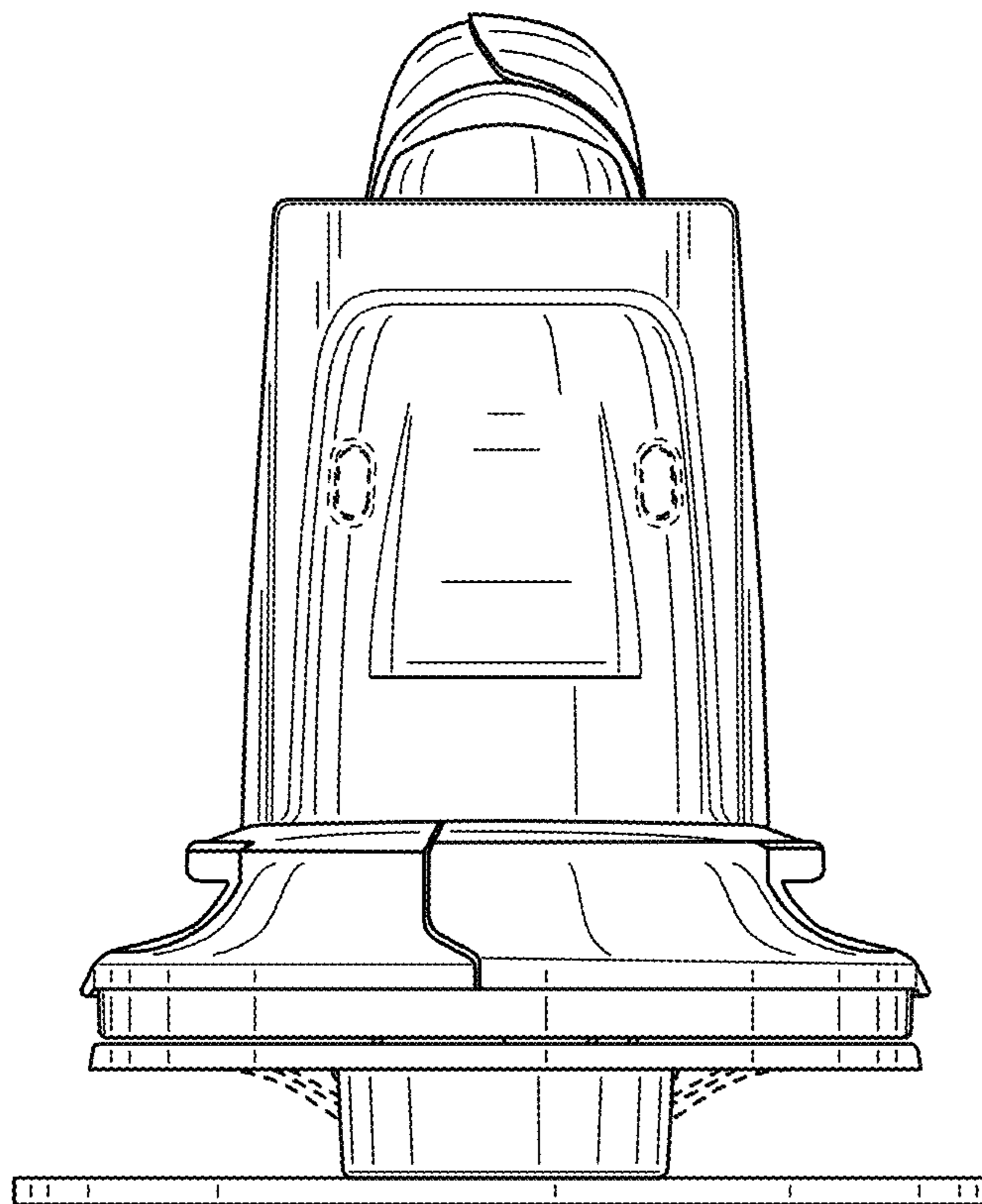


FIG. 9

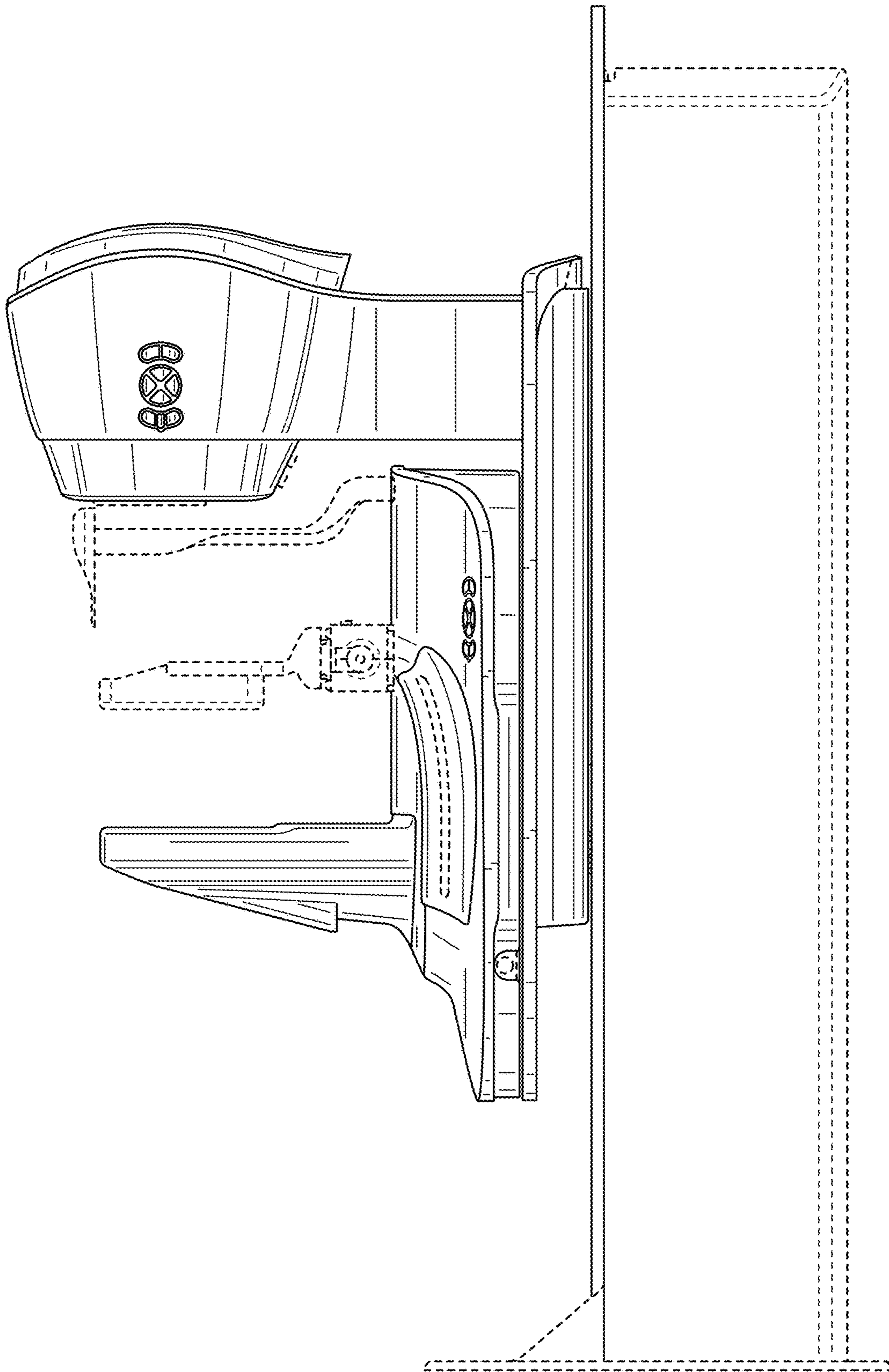


FIG. 10

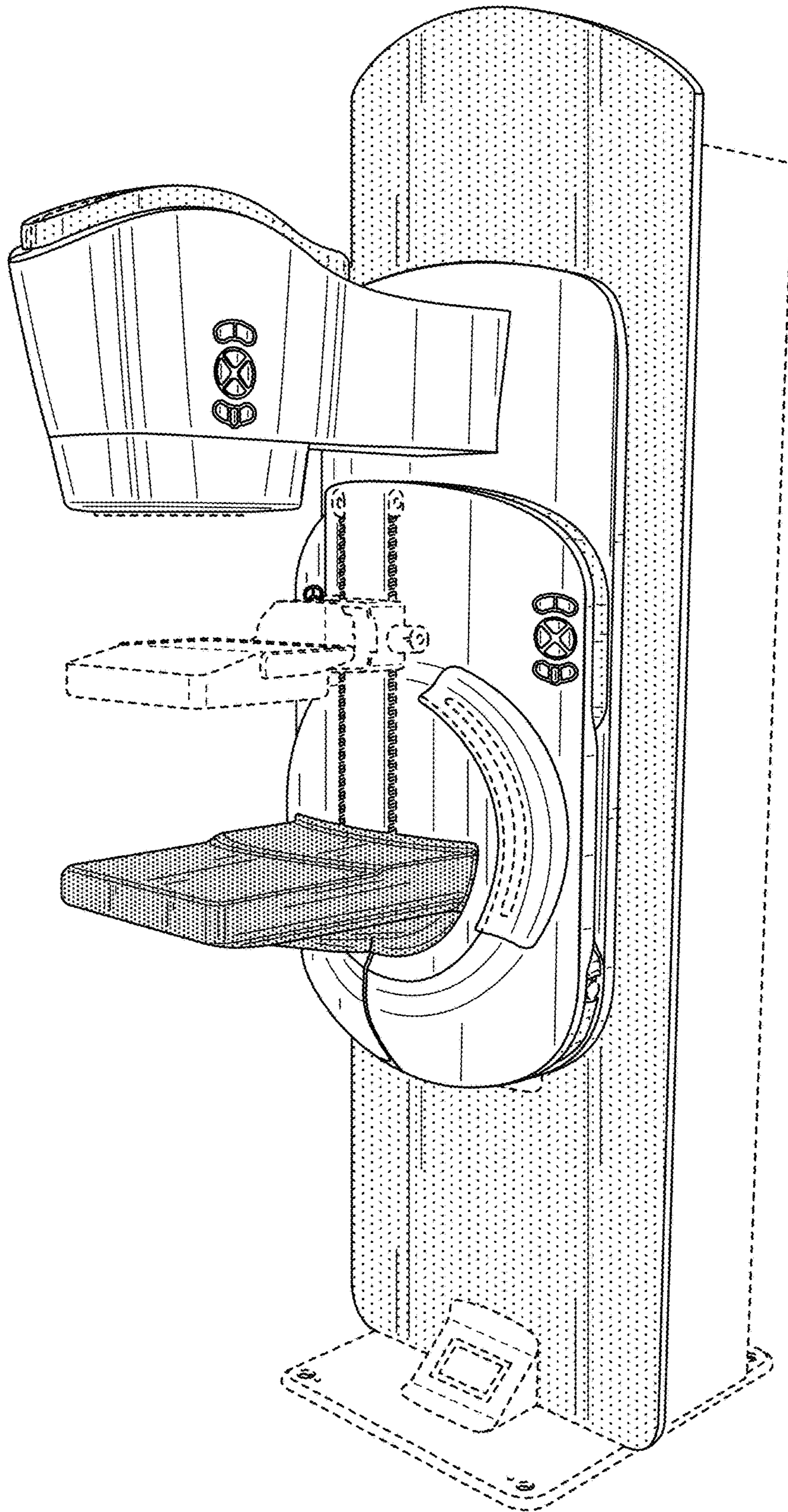


FIG. 11

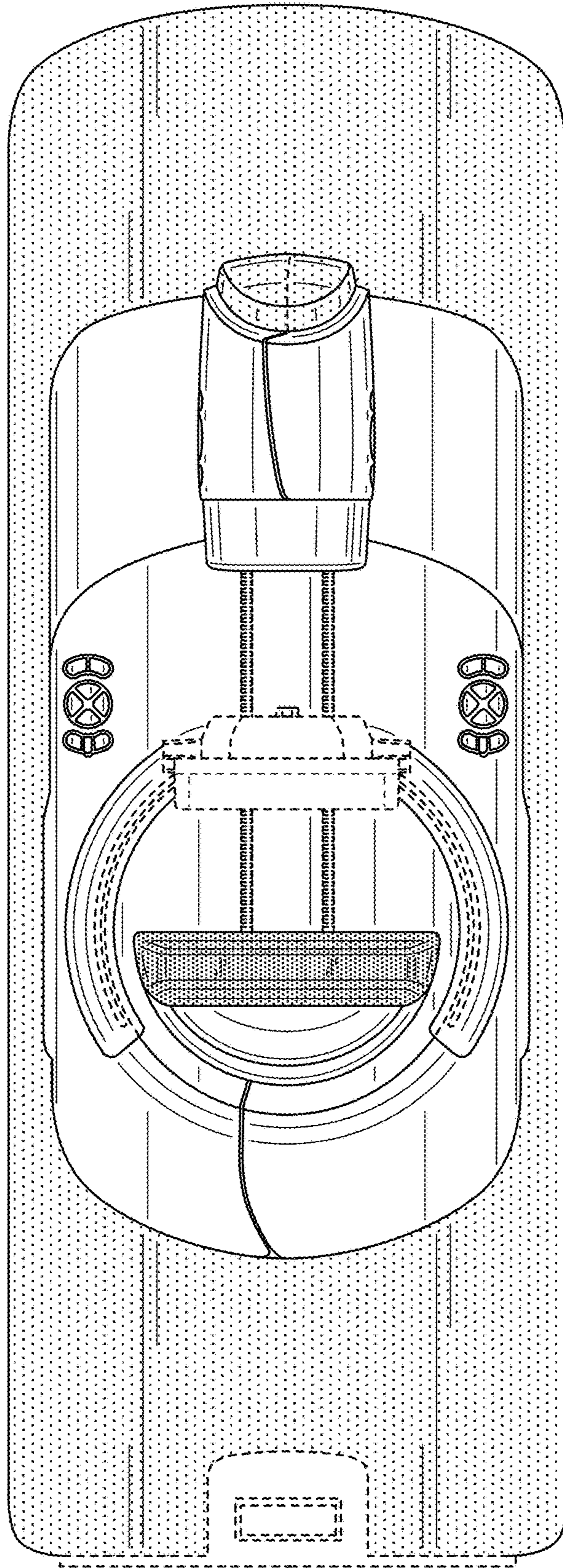


FIG. 12

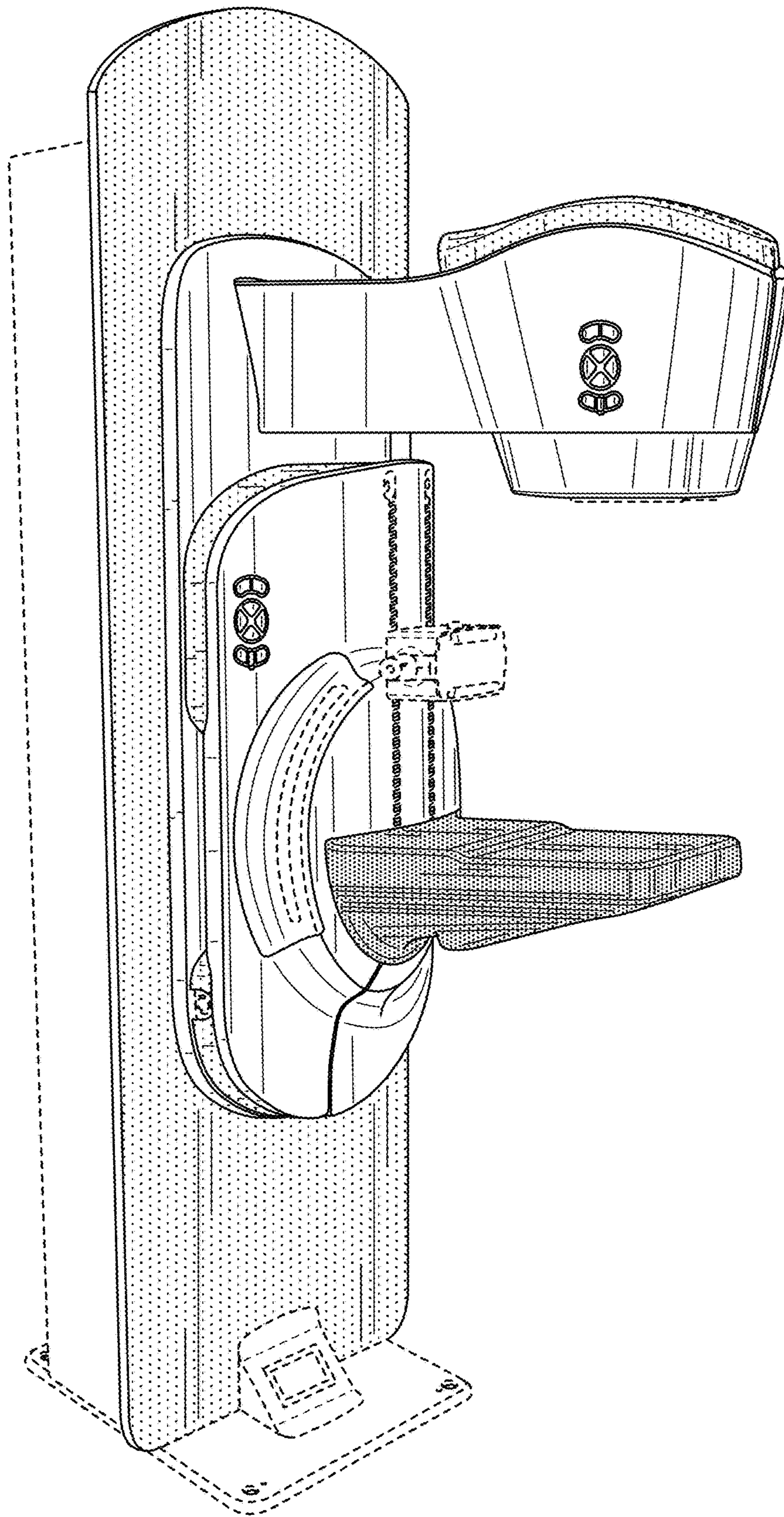


FIG. 13

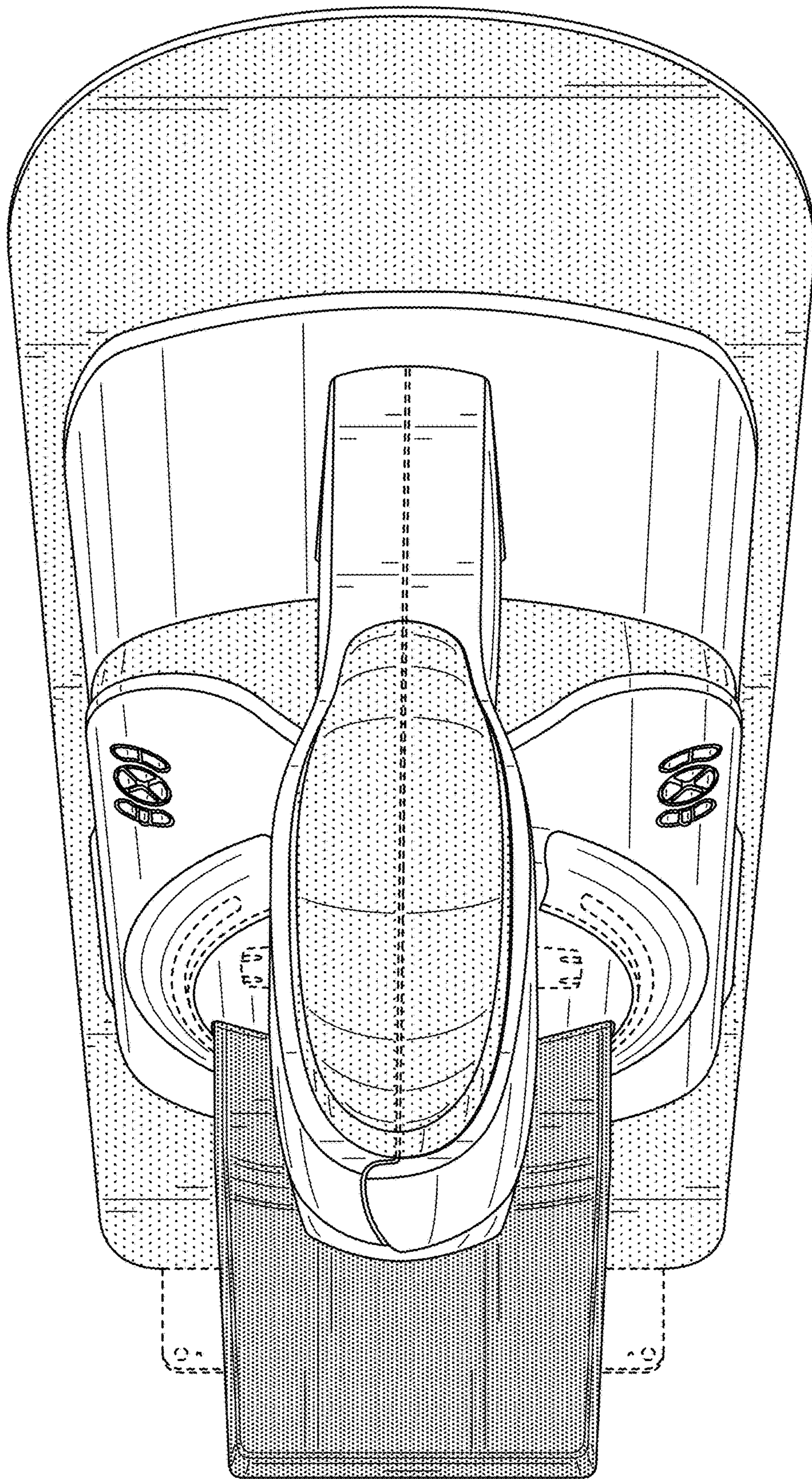


FIG. 14



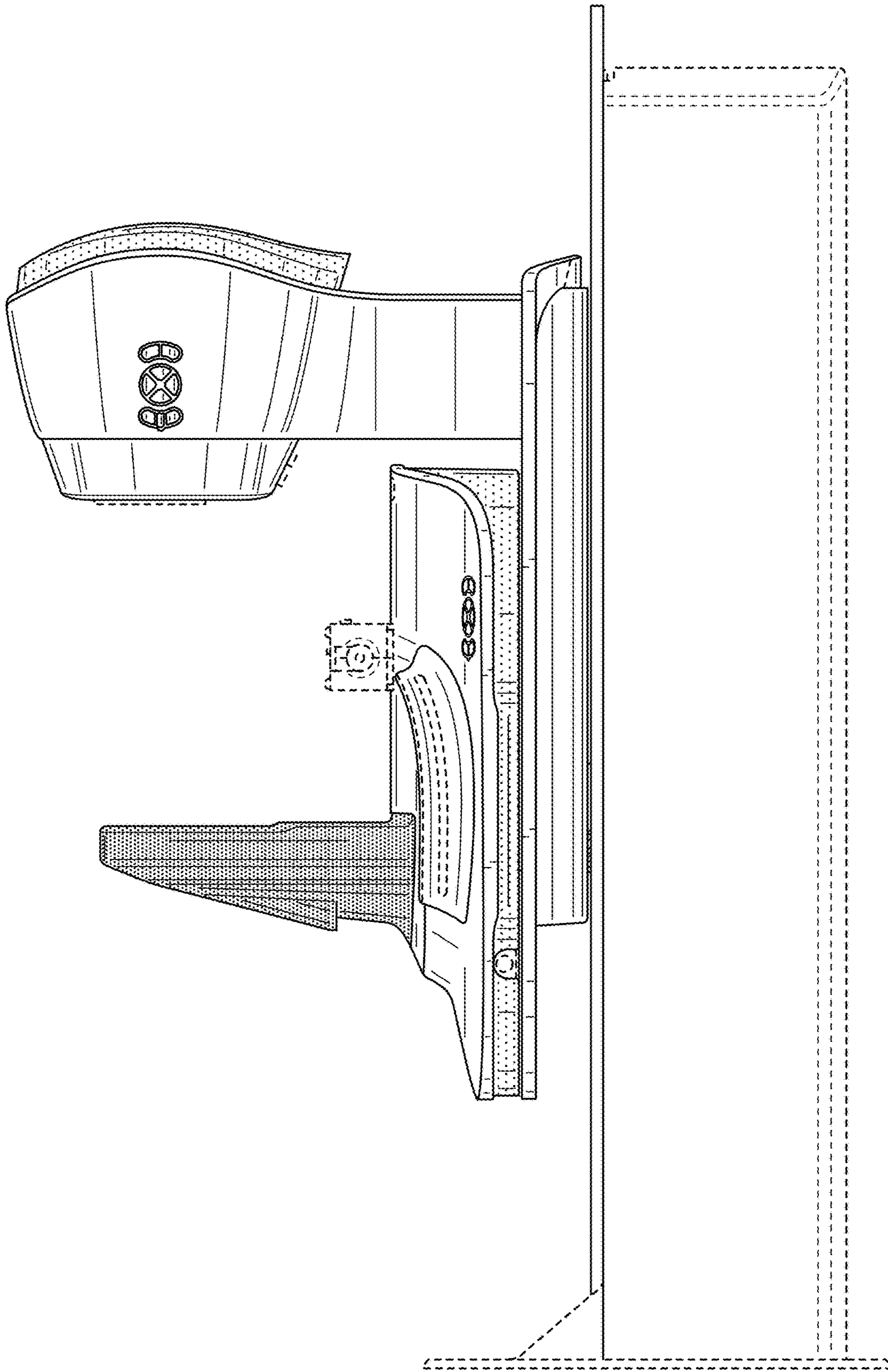


FIG. 15

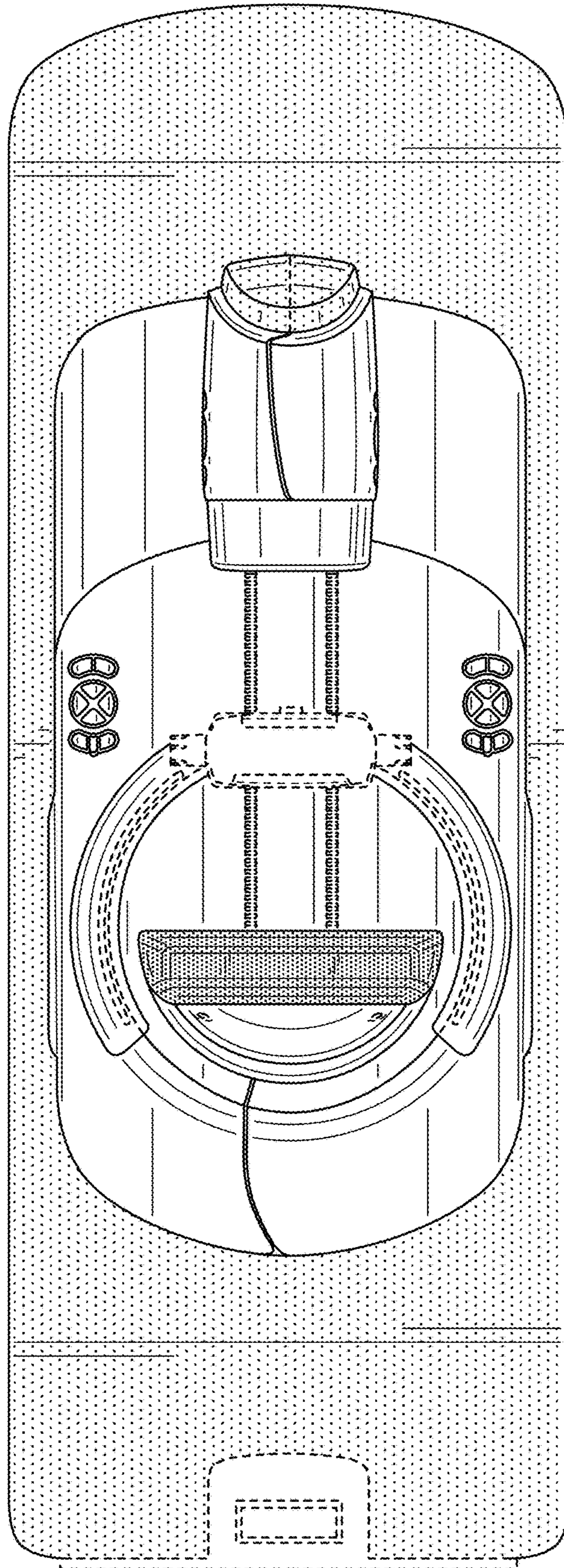


FIG. 16

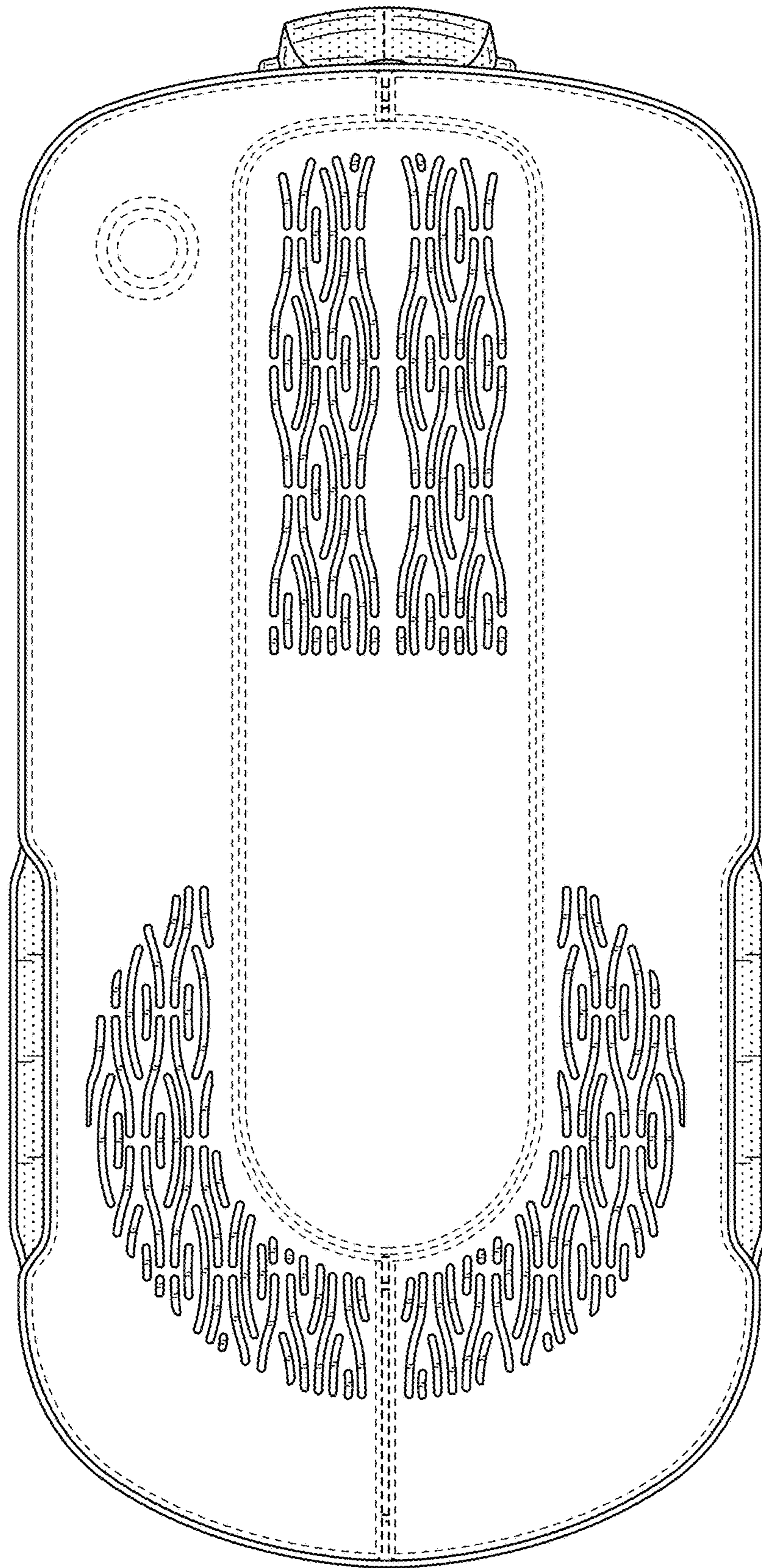


FIG. 17

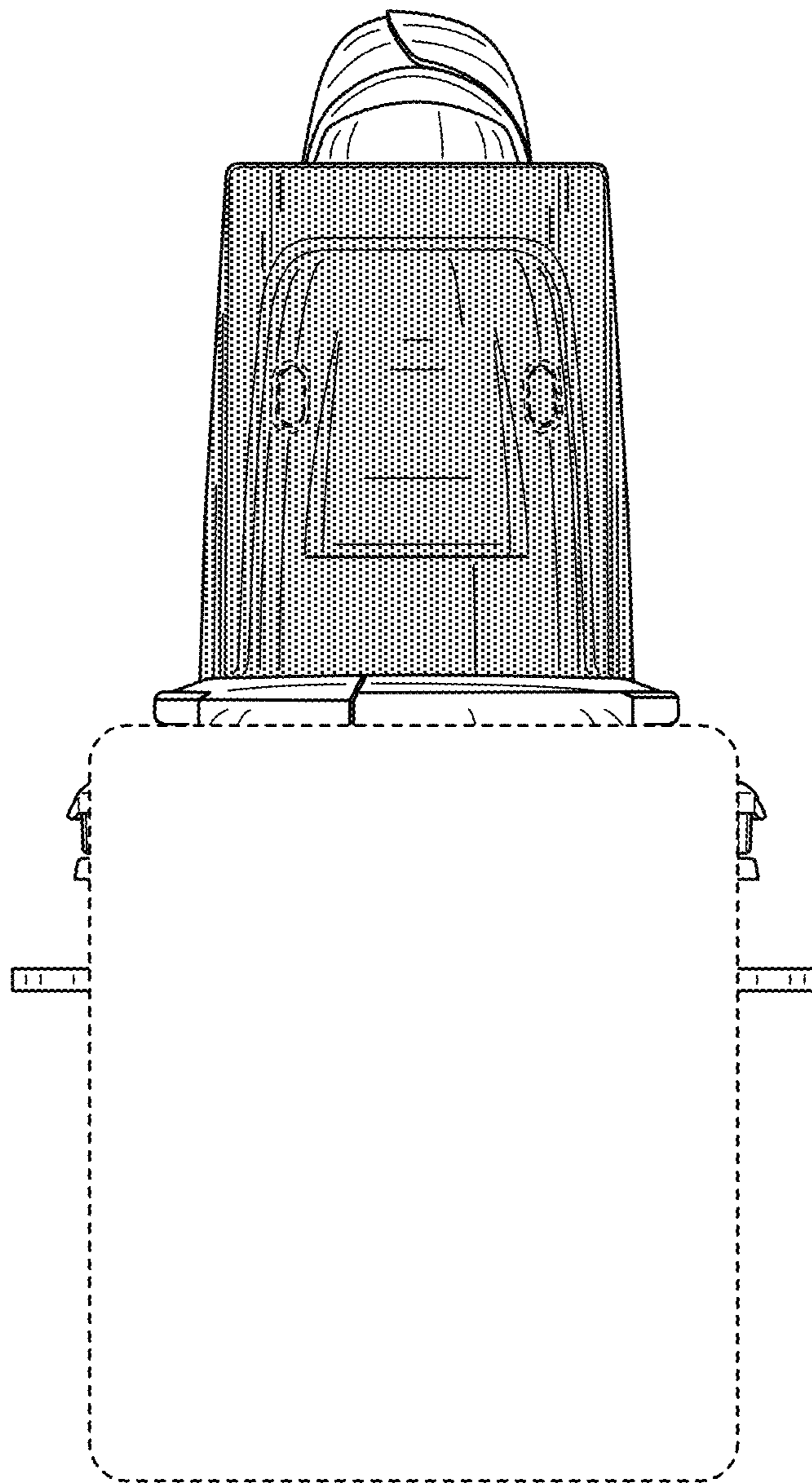


FIG. 18