



US00D814635S

(12) **United States Design Patent**
Asfora et al.

(10) **Patent No.:** **US D814,635 S**
(45) **Date of Patent:** **** Apr. 3, 2018**

(54) **BONE PLATE**
(71) Applicant: **Asfora IP, LLC**, Sioux Falls, SD (US)
(72) Inventors: **Wilson Theophilo Asfora**, Sioux Falls, SD (US); **Daniel S. Savage**, Brecksville, OH (US)
(73) Assignee: **Asfora IP, LLC**, Sioux Falls, SD (US)
(**) Term: **15 Years**

(21) Appl. No.: **29/612,027**
(22) Filed: **Jul. 27, 2017**

Related U.S. Application Data

(62) Division of application No. 29/521,543, filed on Mar. 24, 2015.

(51) **LOC (11) Cl.** **24-02**

(52) **U.S. Cl.**
USPC **D24/155**

(58) **Field of Classification Search**
USPC D24/155
CPC A61B 17/8061; A61B 17/7059; A61B 17/8052; A61B 17/8605; A61B 17/8085;

A61B 17/809; A61B 17/8014; A61B 17/8033; A61B 17/8004; A61B 17/888; A61B 17/842; A61B 17/8023; A61B 17/8009; A61B 17/86; A61B 17/1739; A61B 17/8066; A61B 17/1671; A61B 17/1757; A61B 17/8071; A61B 17/176; A61B 2017/1782; A61B 2017/1775

See application file for complete search history.

(56) **References Cited**

U.S. PATENT DOCUMENTS

2,100,035 A * 11/1937 Merrick A47F 7/281
206/503
3,871,623 A * 3/1975 Boenisch B01F 5/26
366/108

4,359,017 A * 11/1982 May F02B 19/12
123/52.6
5,233,500 A * 8/1993 Liang H01L 23/66
257/678
5,716,399 A * 2/1998 Love A61F 2/2415
128/898
D404,134 S * 1/1999 Dunshee D24/189
6,129,758 A * 10/2000 Love A61F 2/2415
623/2.11
D440,311 S * 4/2001 Michelson D24/155
D449,692 S * 10/2001 Michelson D24/155
6,328,763 B1 * 12/2001 Love A61F 2/2415
623/2.13
D602,589 S * 10/2009 Bush, Jr. D24/155
D603,961 S * 11/2009 Kriska D24/155
D603,962 S * 11/2009 Kriska D24/155
D615,652 S * 5/2010 Weiman D24/155
8,211,154 B2 7/2012 Fisher et al.
8,425,576 B2 4/2013 Anderson et al.
D749,963 S * 2/2016 Oaknin D9/420
D775,731 S 1/2017 Asfora et al.
D775,732 S 1/2017 Asfora et al.

(Continued)

Primary Examiner — Charles Hanson

(74) *Attorney, Agent, or Firm* — Dorsey & Whitney LLP

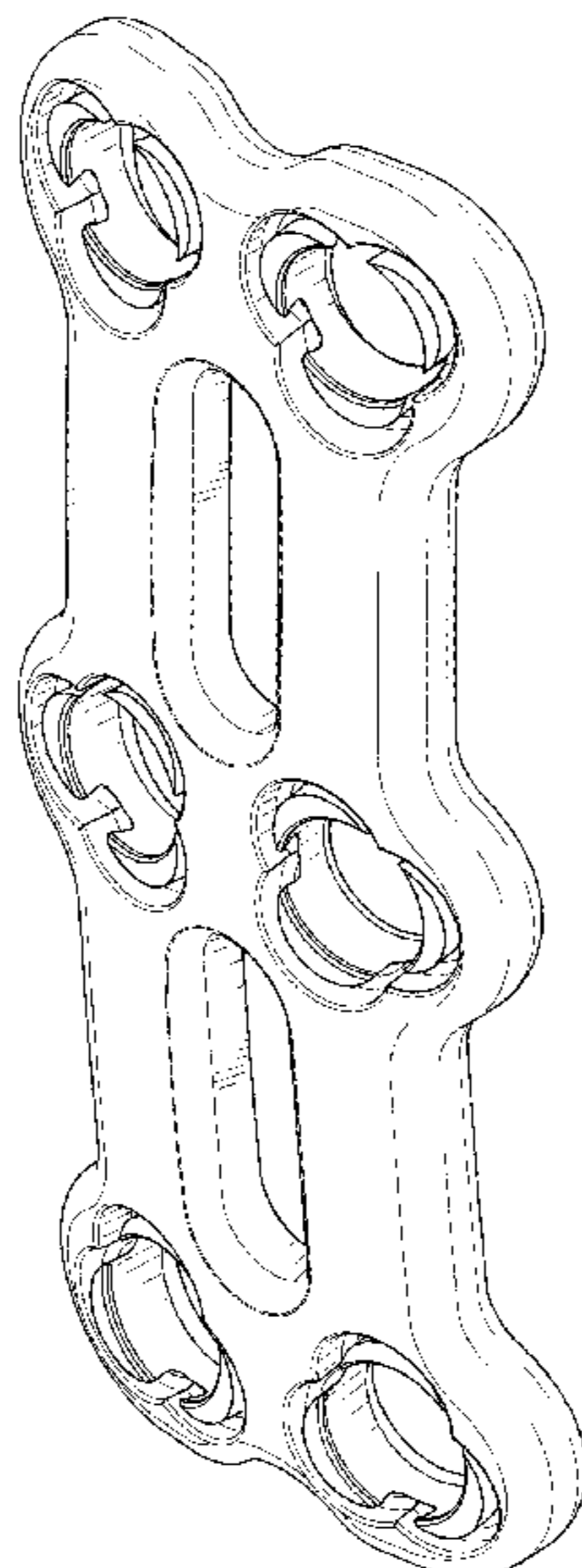
(57) **CLAIM**

The ornamental design for a bone plate, as shown and described.

DESCRIPTION

FIG. 1 shows a front, right perspective-view of an embodiment of a bone plate;
FIG. 2 shows a front view thereof;
FIG. 3 shows a rear view thereof;
FIG. 4 shows a left-side view thereof;
FIG. 5 shows a right-side view thereof;
FIG. 6 shows a top end-view thereof; and,
FIG. 7 shows a bottom end-view thereof.

1 Claim, 6 Drawing Sheets



(56)

References Cited

U.S. PATENT DOCUMENTS

2003/0167089 A1* 9/2003 Lane A61F 2/2412
623/2.14
2006/0020280 A1* 1/2006 Love A61B 17/32
606/167
2011/0218570 A1 9/2011 Felix et al.
2011/0265253 A1* 11/2011 Juza A43B 3/105
2/245
2012/0143193 A1 6/2012 Hulliger
2012/0191141 A1 7/2012 Constabile
2014/0183177 A1 7/2014 Jacene et al.
2016/0022949 A1* 1/2016 Milne A61M 16/0808
128/201.13
2016/0166952 A1* 6/2016 Hahn B01D 29/54
210/323.2

* cited by examiner

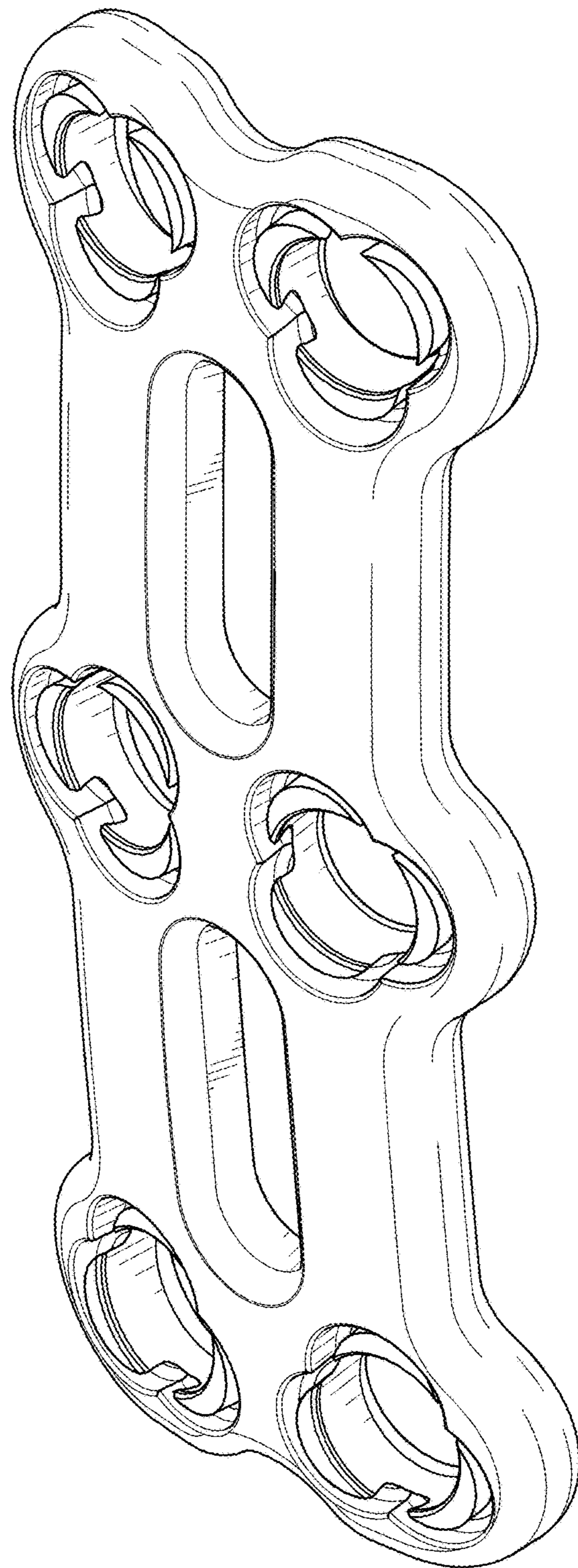


FIG. 1

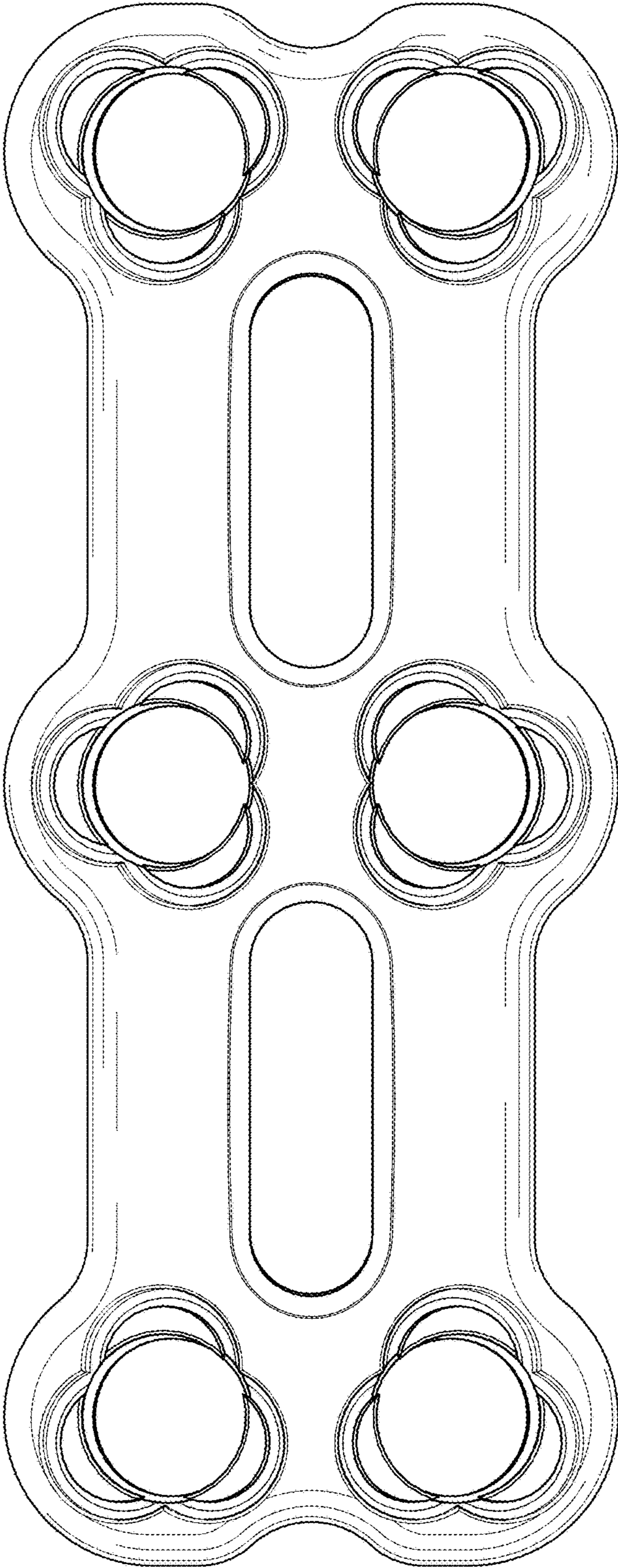


FIG. 2

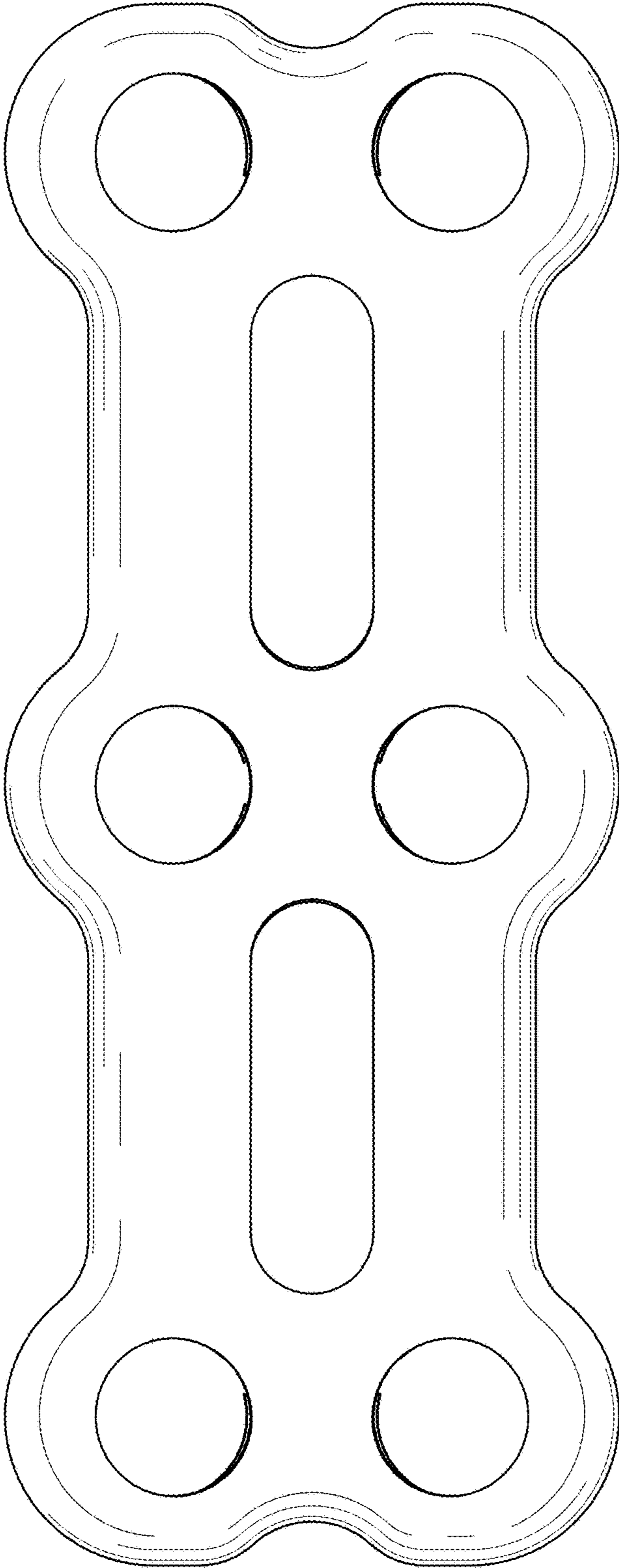


FIG. 3

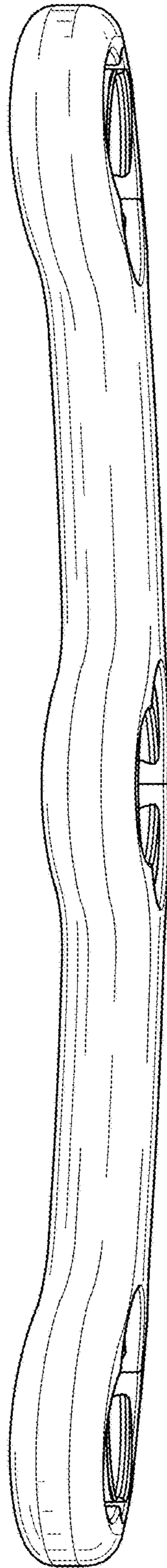


FIG. 4

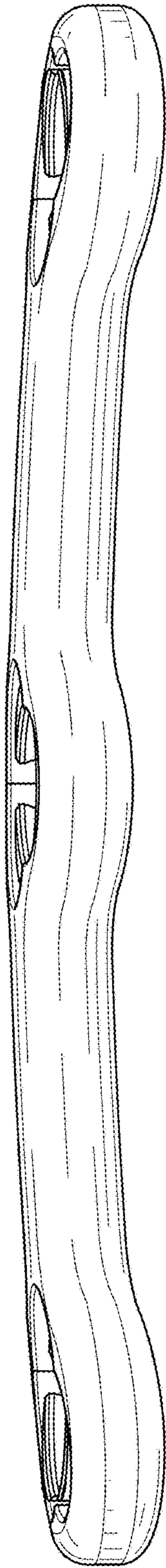


FIG. 5

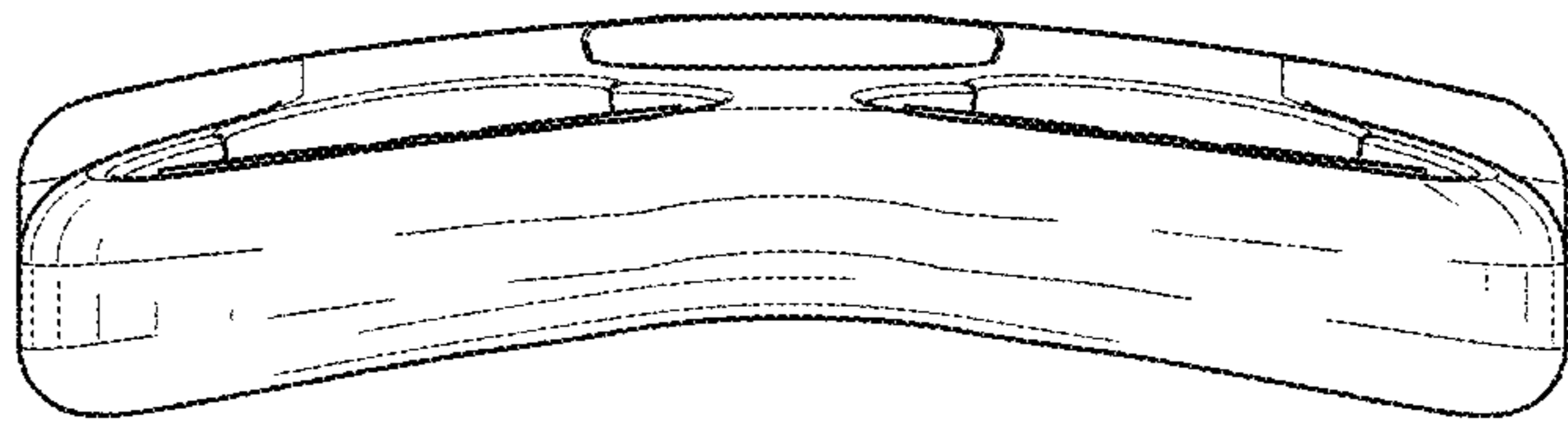


FIG. 6

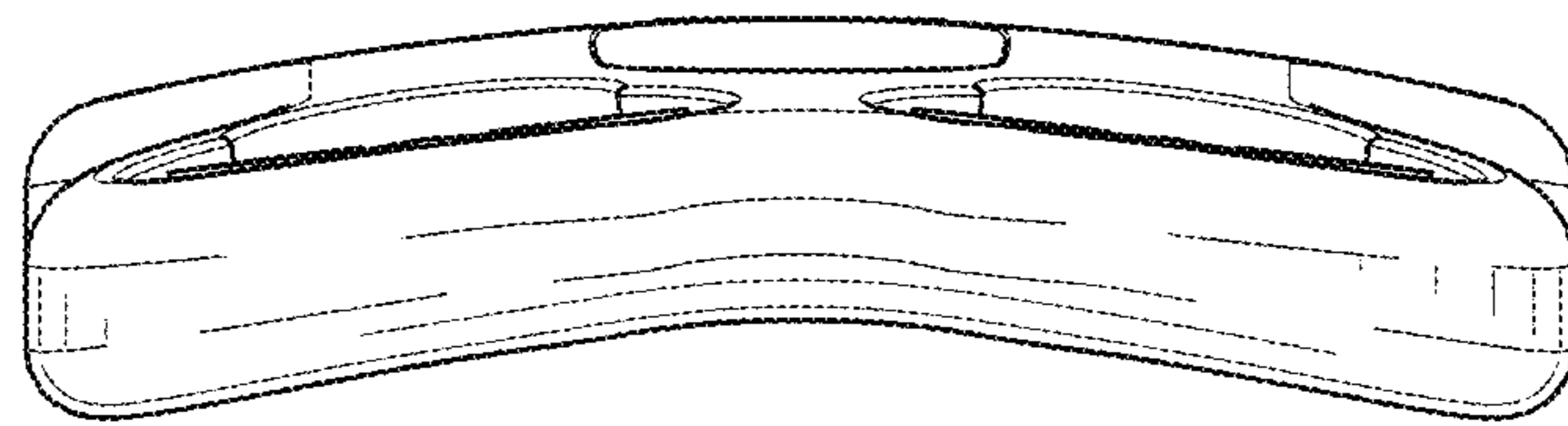


FIG. 7