



US00D814633S

(12) **United States Design Patent** (10) **Patent No.:** **US D814,633 S**
Eder et al. (45) **Date of Patent:** **** Apr. 3, 2018**

(54) **DRIVE AXLE FOR DENTAL OR MEDICAL DEVICE**

(71) Applicant: **W&H Dentalwerk Bürmoos GmbH**,
Bürmoos (AT)

(72) Inventors: **Karlheinz Eder**, Michaelbeuern (AT);
Wilhelm Brugger, Wals-Siezenheim (AT)

(73) Assignee: **W&H Dentalwerk Bürmoos GmbH**,
Bürmoos (AT)

(**) Term: **15 Years**

(21) Appl. No.: **29/564,242**

(22) Filed: **May 11, 2016**

Related U.S. Application Data

(63) Continuation-in-part of application No. 14/821,404,
filed on Aug. 7, 2015.

(51) **LOC (11) Cl.** **24-02**

(52) **U.S. Cl.**
USPC **D24/152**

(58) **Field of Classification Search**
USPC D24/152, 154, 156, 176, 133, 147;
D8/107, 80, 83
CPC A61B 17/1631; A61C 1/07; A61C 1/12
See application file for complete search history.

(56) **References Cited**

U.S. PATENT DOCUMENTS

D536,451 S * 2/2007 Haydu D24/152
D604,412 S * 11/2009 Kobayashi D24/152
8,137,370 B2 * 3/2012 Deng A61B 17/1624
606/169
D700,330 S * 2/2014 Way D24/152
8,777,616 B2 * 7/2014 Chronister A61C 17/005
433/125
9,144,471 B2 * 9/2015 Carron A61C 1/12
9,504,478 B2 * 11/2016 Edwards A61B 17/1624

(Continued)

FOREIGN PATENT DOCUMENTS

DE 102005058879 6/2007
EP 0293654 12/1988

(Continued)

OTHER PUBLICATIONS

Search Report for European Application No. 14180304 (dated Jan. 14, 2015).

Primary Examiner — Wan Laymon

(74) *Attorney, Agent, or Firm* — Klarquist Sparkman, LLP

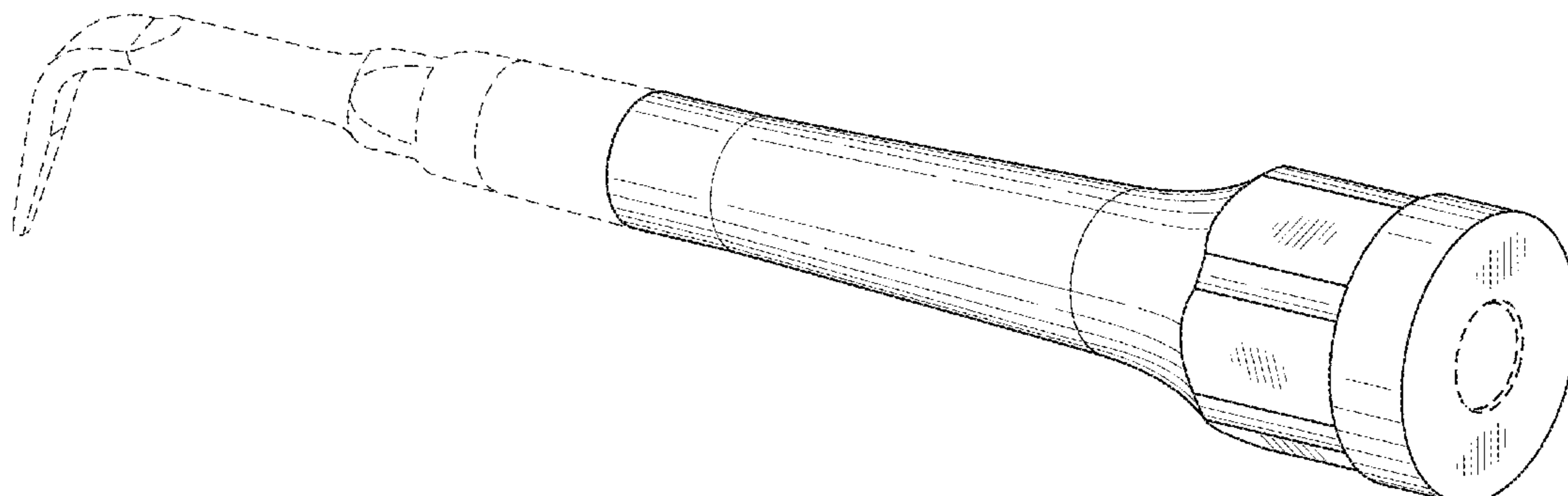
(57) **CLAIM**

We claim the ornamental design for a drive axle for dental or medical device, as shown and described.

DESCRIPTION

FIG. 1 is a perspective view of the drive axle for dental or medical device.
FIG. 2 is a left side elevation view thereof.
FIG. 3 is a right side elevation view thereof.
FIG. 4 is a top plan view thereof.
FIG. 5 is a bottom plan view thereof.
FIG. 6 is a rear elevation view thereof.
FIG. 7 is a front elevation view thereof;
FIG. 8 is a longitudinal section view thereof in elevation; and,
FIG. 9 is a perspective view of the drive axle of FIG. 1 in which the proximal end is fitted with a tool.
The broken line showings of the opening in the rear of the drive axle, the interior of the drive axle and the distal end of the drive axle form no part of the claimed design. The broken line showing of a tool illustrates the environment of the claimed design and forms no part thereof.

1 Claim, 5 Drawing Sheets



(56)

References Cited

U.S. PATENT DOCUMENTS

9,526,509 B2 * 12/2016 Masson A61B 17/1624
2004/0098006 A1 * 5/2004 Nakanishi A61B 17/1631
606/170
2017/0035529 A1 * 2/2017 Eder A61C 1/07

FOREIGN PATENT DOCUMENTS

EP	1728483	12/2006
EP	2160997	3/2010
JP	2003-510161	3/2003
JP	2010-516415	5/2010
WO	WO2006/090237	8/2006

* cited by examiner

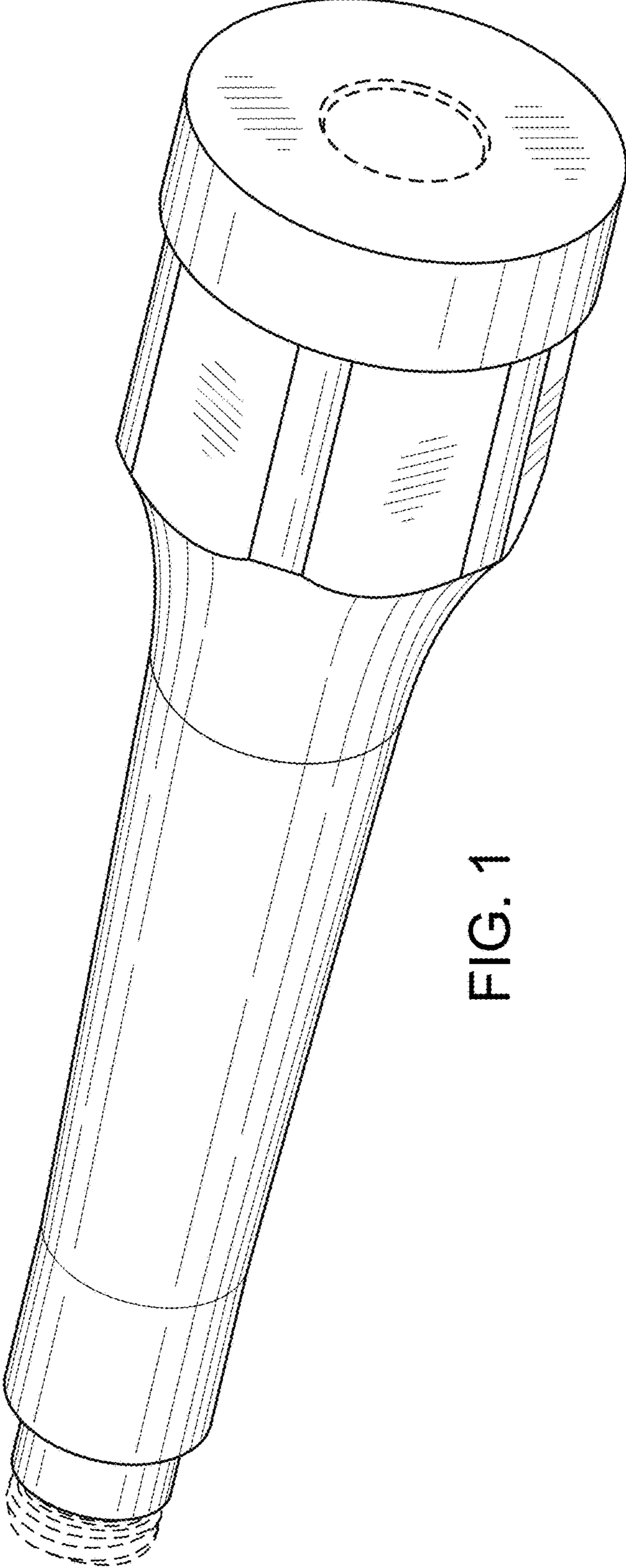


FIG. 1

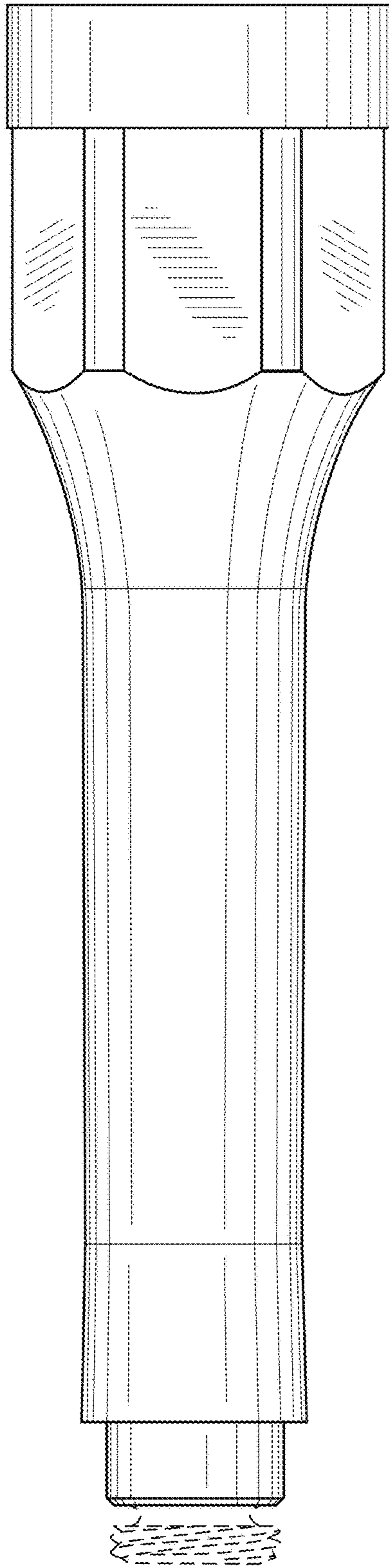


FIG. 2

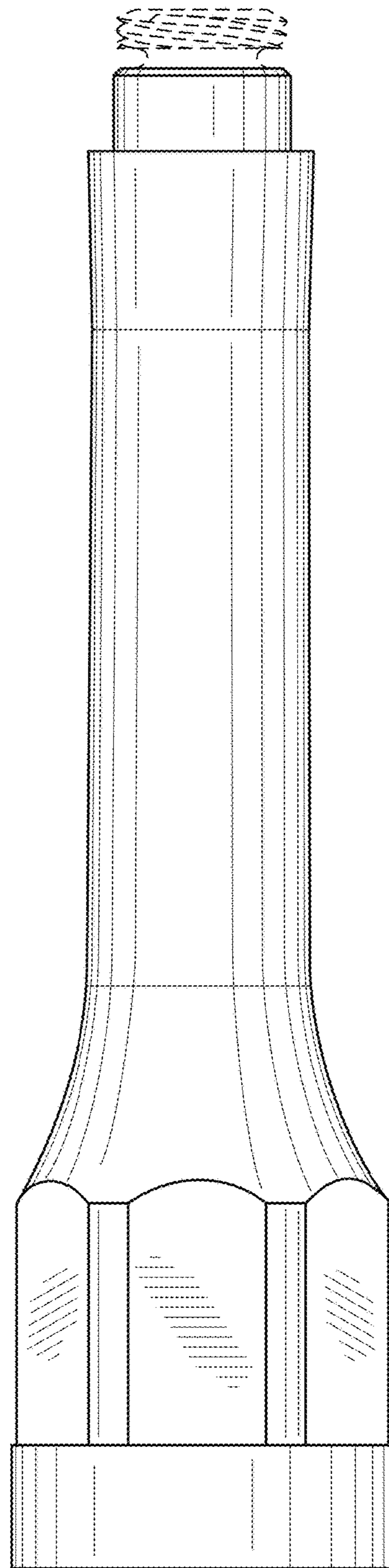


FIG. 3

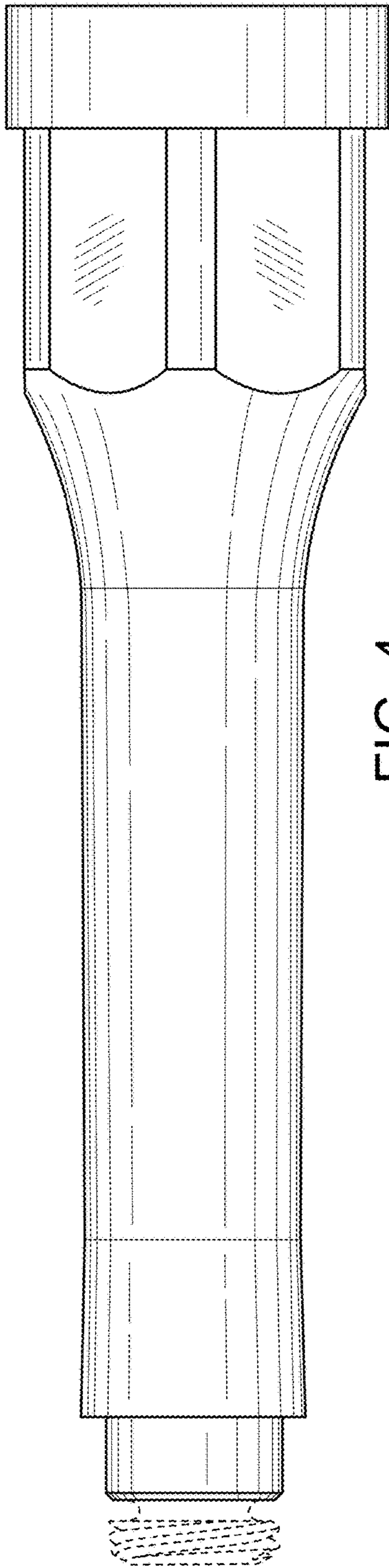


FIG. 4

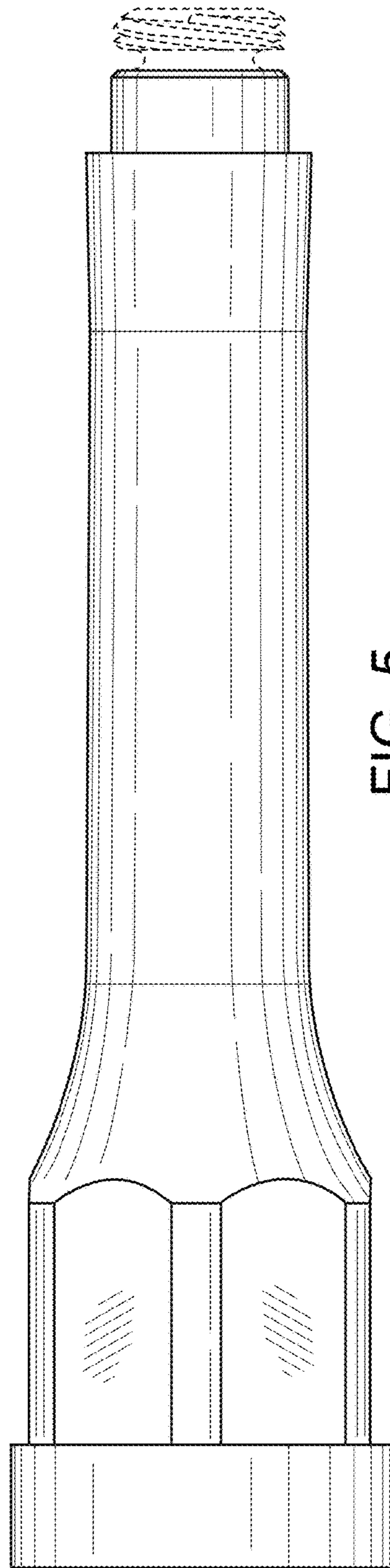


FIG. 5

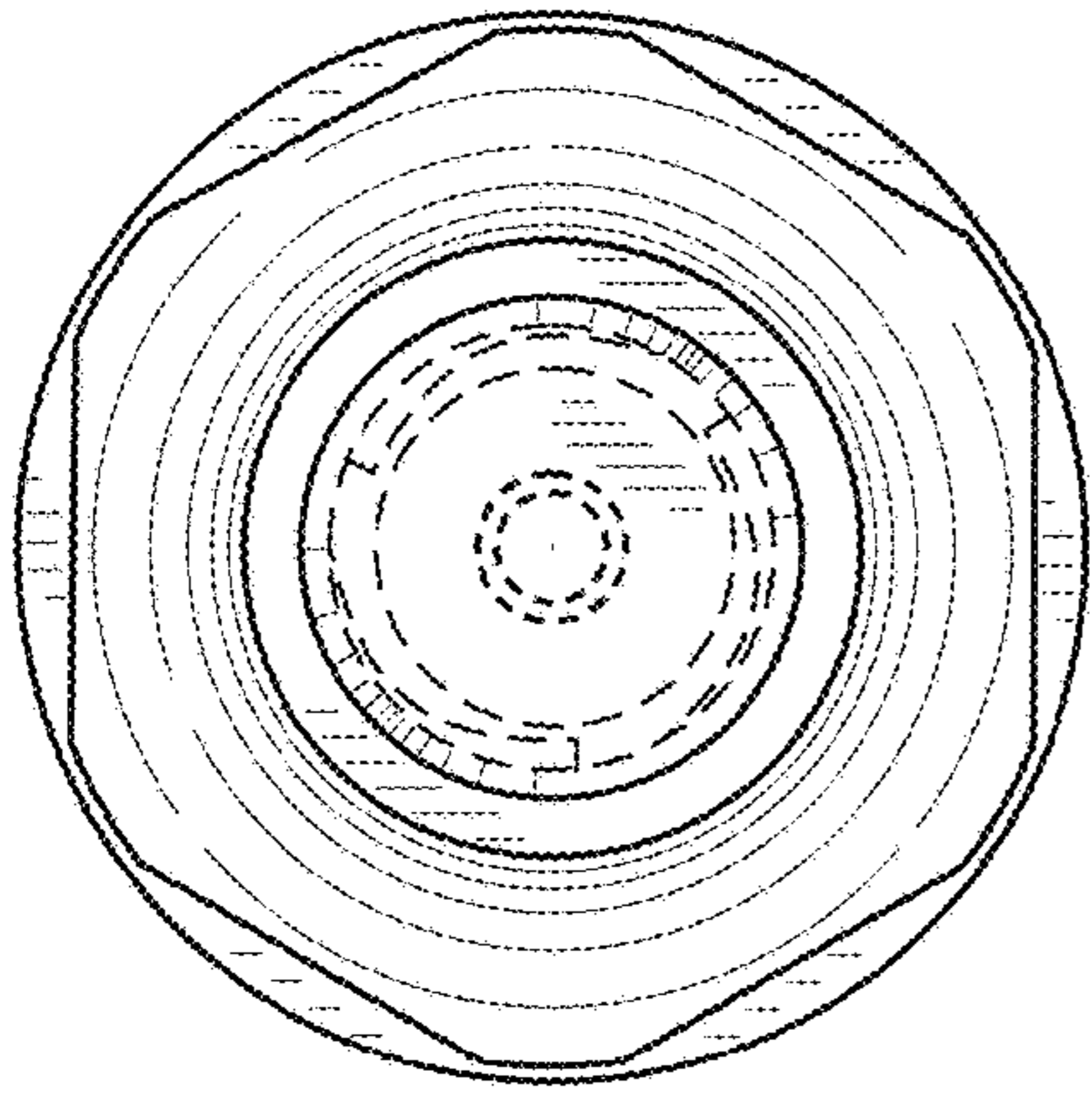


FIG. 6

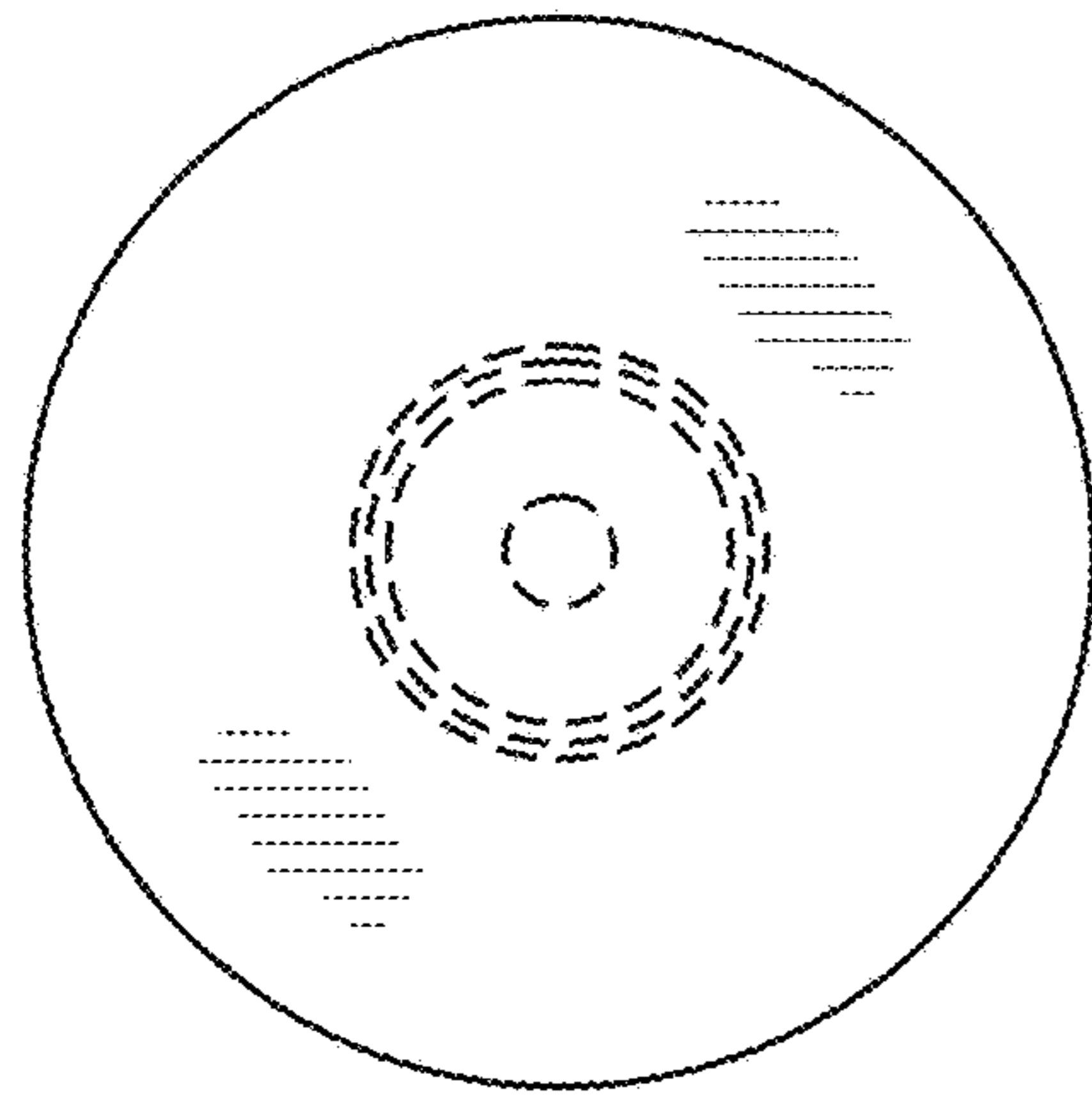


FIG. 7

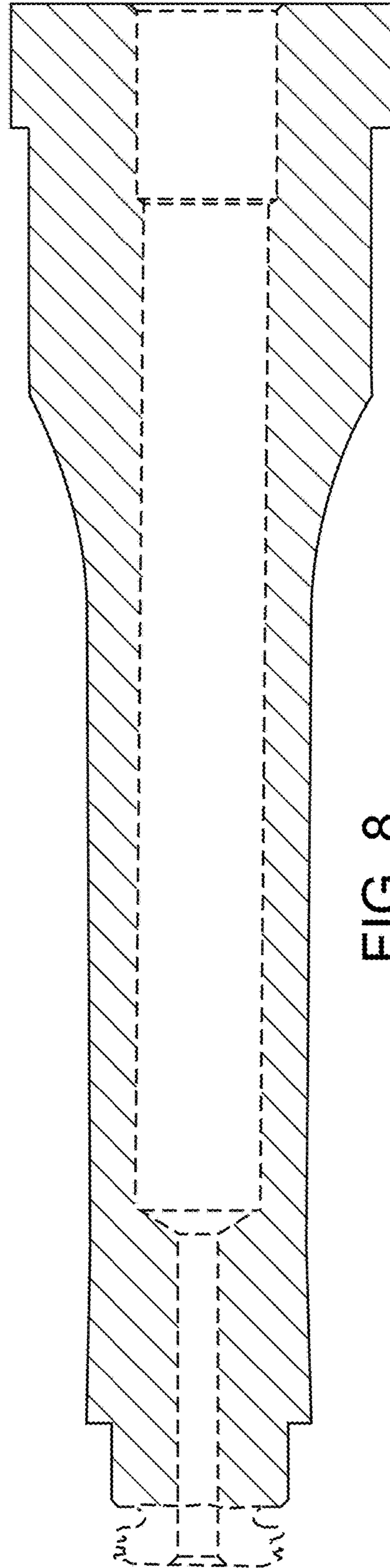


FIG. 8

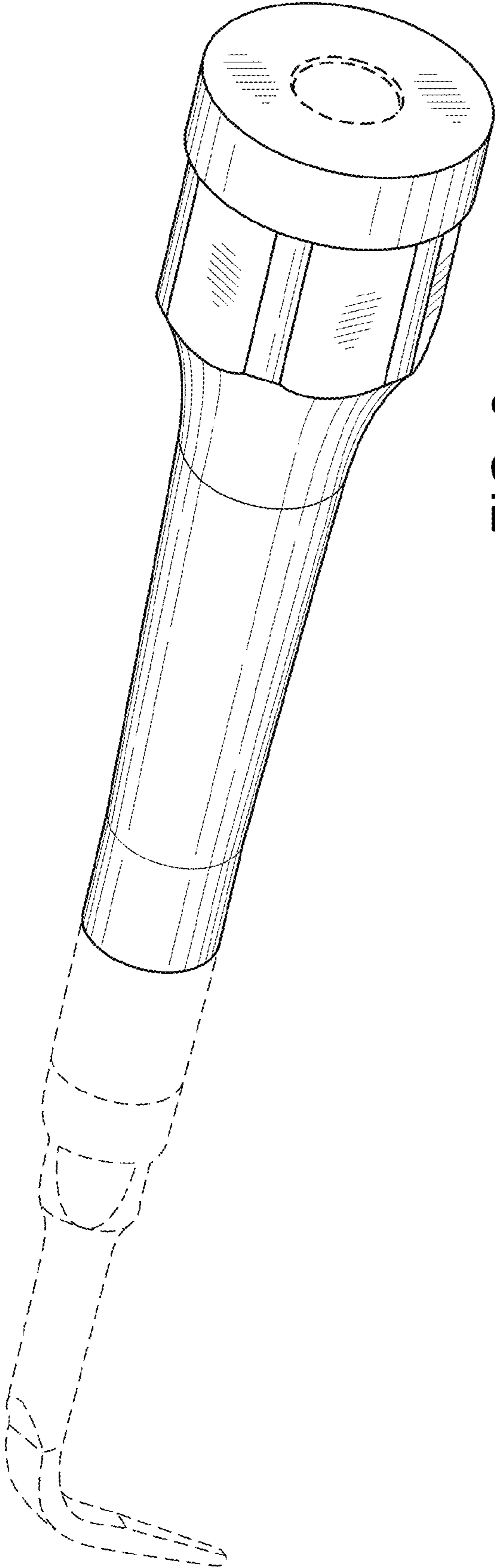


FIG. 9