



US00D814630S

(12) **United States Design Patent**  
**Finke et al.**

(10) **Patent No.:** **US D814,630 S**  
(45) **Date of Patent:** **\*\* Apr. 3, 2018**

(54) **SYRINGE**

- (71) Applicant: **Covidien LP**, Mansfield, MA (US)
- (72) Inventors: **Melvin A. Finke**, Deland, FL (US);  
**David L. Strader**, Debarry, FL (US);  
**David R. Swisher**, St. Charles, MO (US);  
**Kathleen Tremblay**, Westfield, MA (US)
- (73) Assignee: **Covidien LP**, Mansfield, MA (US)
- (\*\*) Term: **15 Years**

- (21) Appl. No.: **29/557,478**
- (22) Filed: **Mar. 9, 2016**

**Related U.S. Application Data**

- (63) Continuation-in-part of application No. 14/481,303, filed on Sep. 9, 2014.
- (51) **LOC (11) Cl.** ..... **24-02**
- (52) **U.S. Cl.**  
USPC ..... **D24/114**
- (58) **Field of Classification Search**  
USPC ..... D24/112-114, 133, 186, 104, 127, 130;  
606/181, 185; 604/264, 272, 115, 232,  
604/187, 158, 164.08, 192, 263, 163, 181,  
604/184, 198, 227  
CPC ..... A61M 5/31596; A61M 2005/1787; A61M  
2005/31508; A61M 5/31511; A61M  
(Continued)

(56) **References Cited**

**U.S. PATENT DOCUMENTS**

- 5,478,321 A \* 12/1995 Kimber ..... A61M 5/3134  
604/187
- 5,695,477 A \* 12/1997 Sfikas ..... A61M 5/24  
128/919
- D608,886 S \* 1/2010 Rueckert ..... D24/130  
(Continued)

**OTHER PUBLICATIONS**

Office Action dated Oct. 25, 2016 in related Canadian Application No. 2923171, 3 pages.

*Primary Examiner* — David Muller  
*Assistant Examiner* — Nathan Johnston

(57) **CLAIM**

The ornamental design for a syringe, as shown and described.

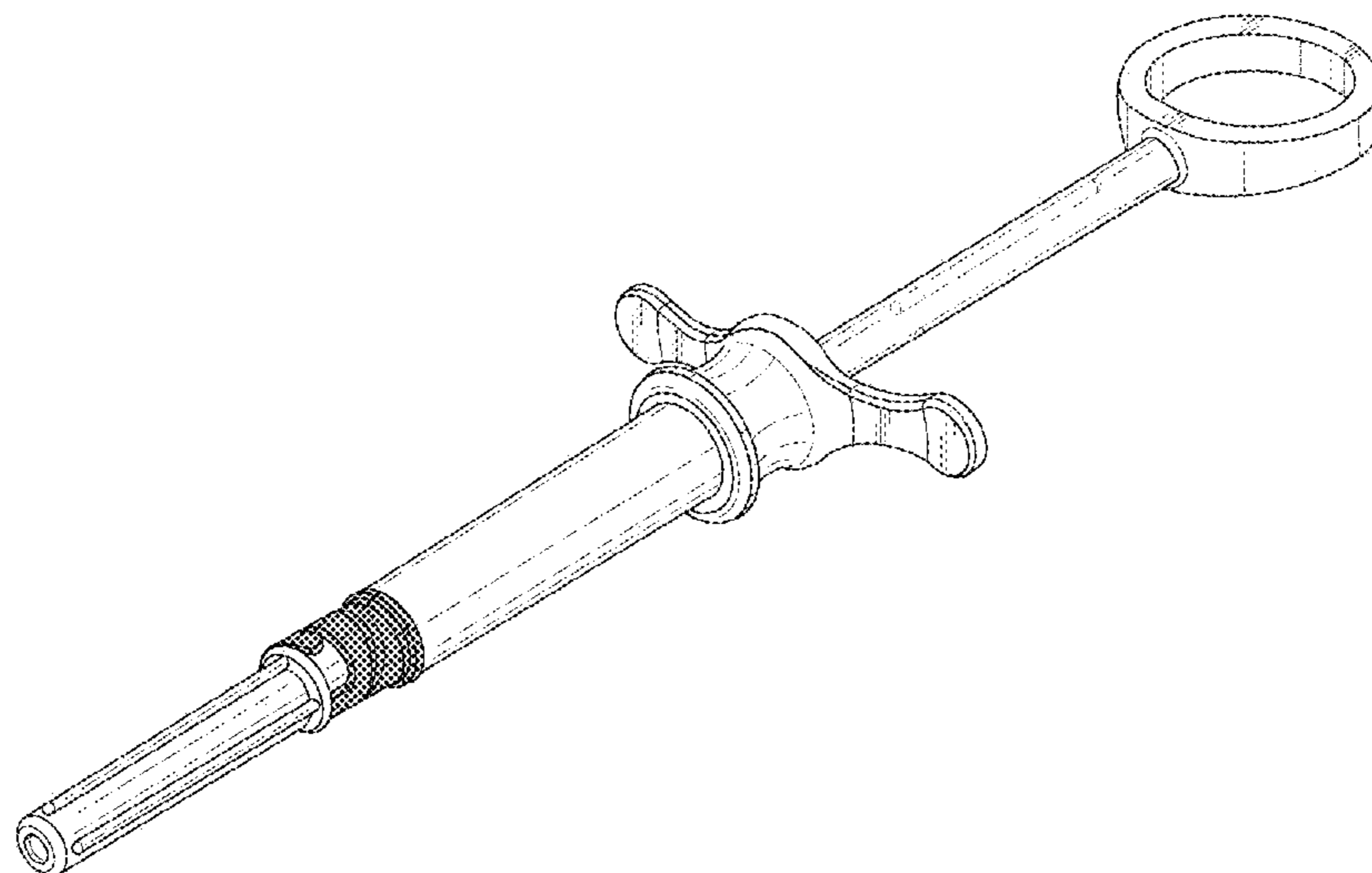
**DESCRIPTION**

The patent or application file contains at least one drawing executed in color. Copies of this patent or patent application publication with color drawing(s) will be provided by the Office upon request and payment of the necessary fee.

- FIG. 1 is a front perspective view illustrating a first embodiment of our ornamental design for a new syringe.
- FIG. 2 is a rear perspective view thereof.
- FIG. 3 is a front elevation view thereof.
- FIG. 4 is a rear elevation view thereof.
- FIG. 5 is a left side elevation view thereof.
- FIG. 6 is a right side elevation view thereof.
- FIG. 7 is an enlarged bottom plan view thereof.
- FIG. 8 is an enlarged top plan view thereof.
- FIG. 9 is a front perspective view illustrating a second embodiment of our ornamental design for a new syringe.
- FIG. 10 is a rear perspective view thereof.
- FIG. 11 is a front elevation view thereof.
- FIG. 12 is a rear elevation view thereof.
- FIG. 13 is a left side elevation view thereof.
- FIG. 14 is a right side elevation view thereof.
- FIG. 15 is an enlarged bottom plan view thereof; and,
- FIG. 16 is an enlarged top plan view thereof.

The broken lines in the drawings are included for the purpose of illustrating one or more portions of the syringe that forms no part of the claimed design.

**1 Claim, 10 Drawing Sheets**  
**(10 of 10 Drawing Sheet(s) Filed in Color)**



(58) **Field of Classification Search**

CPC ..... 2005/3121; A61M 2005/31598; A61M  
2005/3123

See application file for complete search history.

(56) **References Cited**

U.S. PATENT DOCUMENTS

8,034,034 B2 \* 10/2011 Hess ..... A61B 17/8833  
604/187  
8,152,763 B2 \* 4/2012 Epperson ..... A61M 5/24  
604/110  
8,852,158 B1 \* 10/2014 Schaffer ..... A61M 5/008  
206/364  
2001/0053886 A1 \* 12/2001 Caizza ..... A61M 5/3234  
604/110  
2007/0060897 A1 \* 3/2007 Wang ..... A61M 5/24  
604/232  
2007/0078408 A1 \* 4/2007 Wang ..... A61M 5/24  
604/198  
2008/0051729 A1 \* 2/2008 Cheng ..... A61M 5/24  
604/232  
2009/0137966 A1 \* 5/2009 Rueckert ..... A61M 5/3137  
604/227  
2015/0073353 A1 \* 3/2015 Strader ..... A61M 5/24  
604/189  
2016/0158101 A1 \* 6/2016 Latiolais ..... A61M 5/28  
604/506

\* cited by examiner

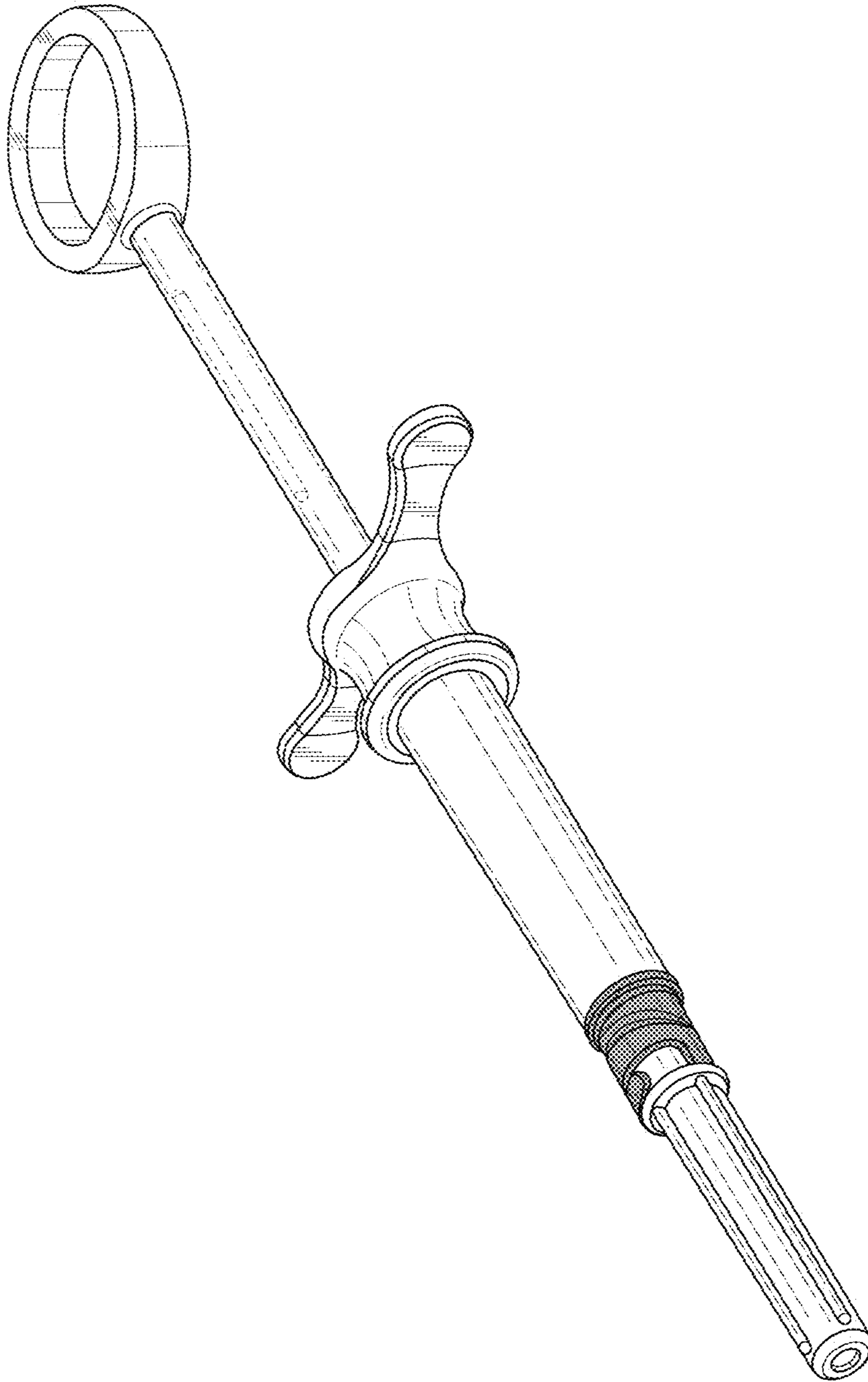


FIG. 1

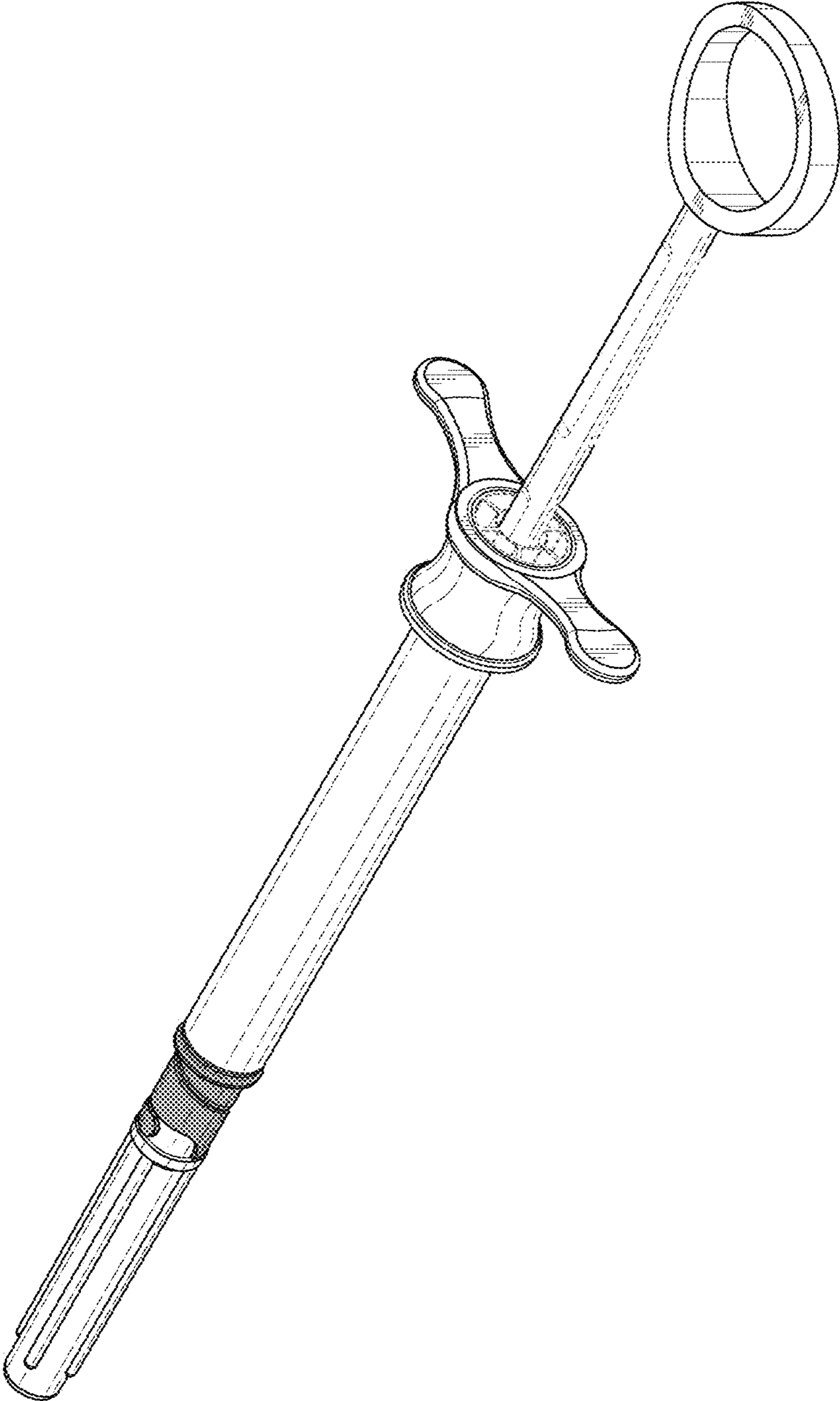


FIG. 2



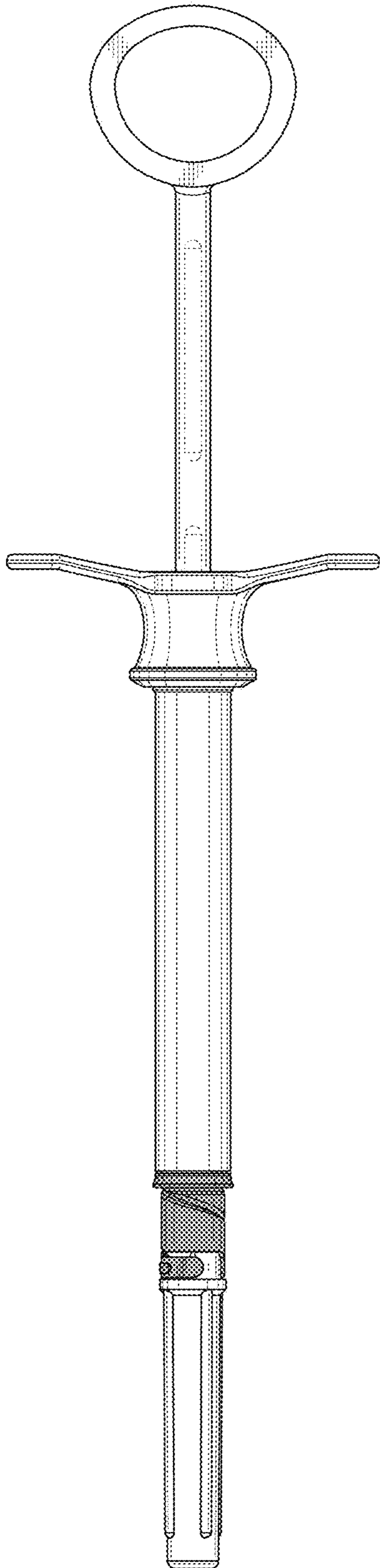


FIG. 3

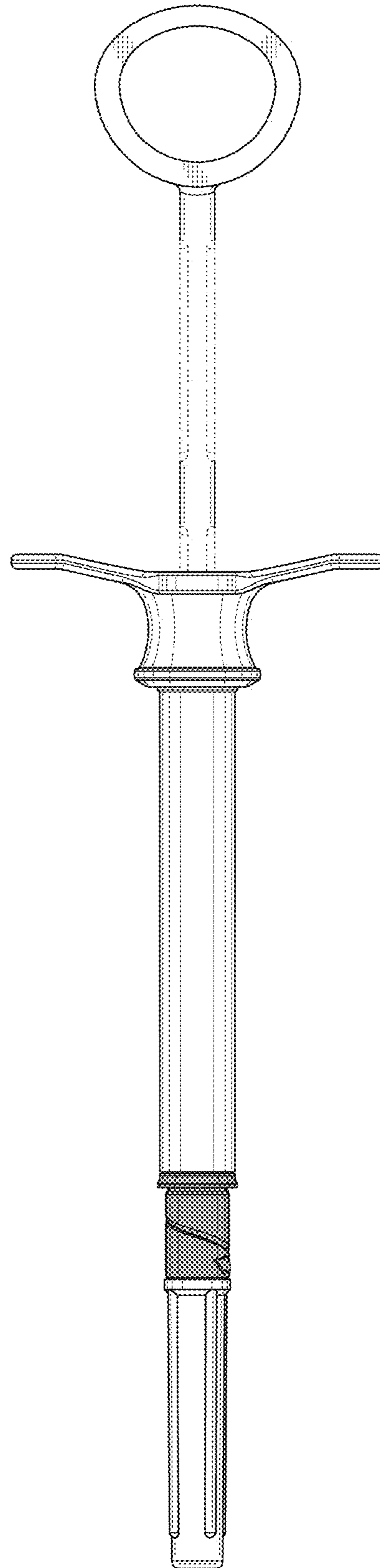


FIG. 4

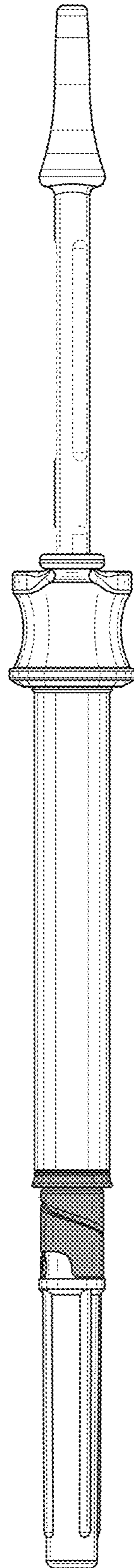


FIG. 5

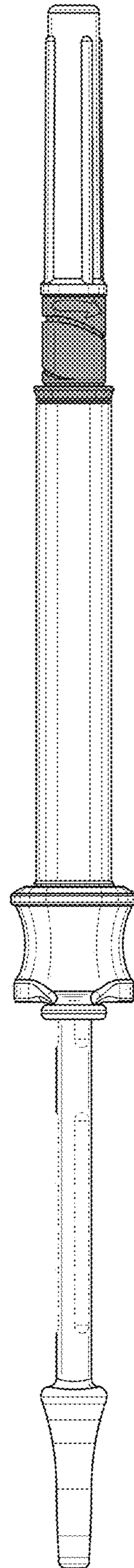


FIG. 6

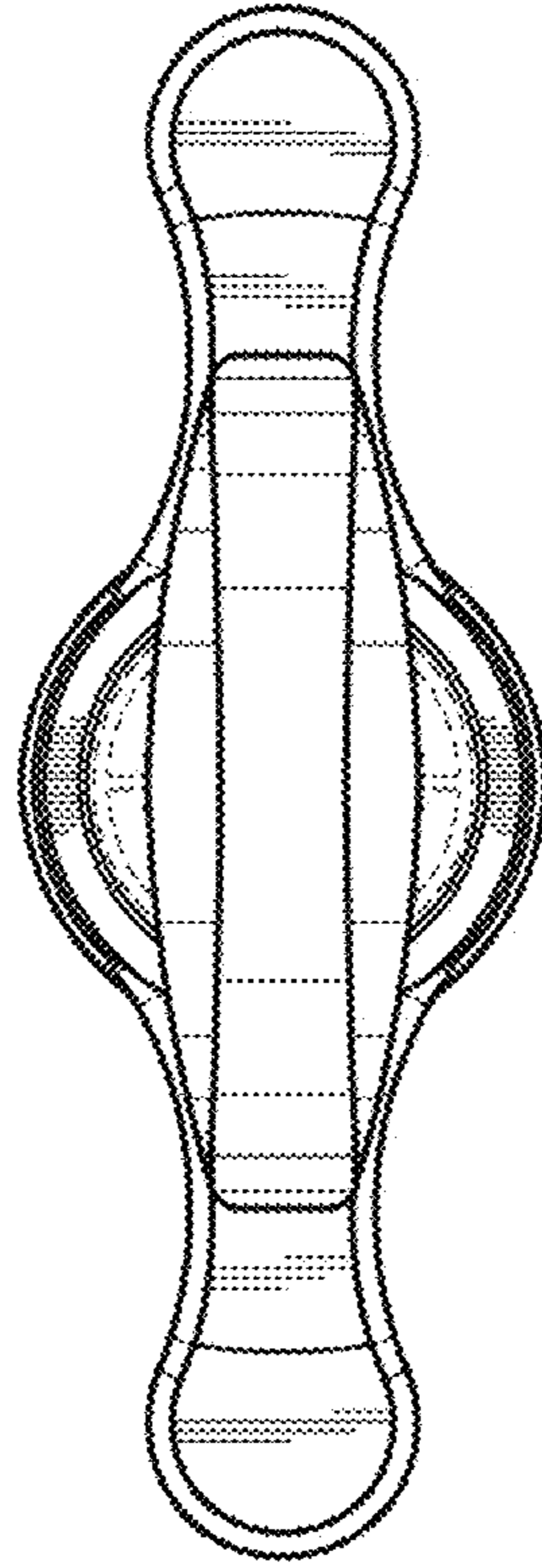


FIG. 8

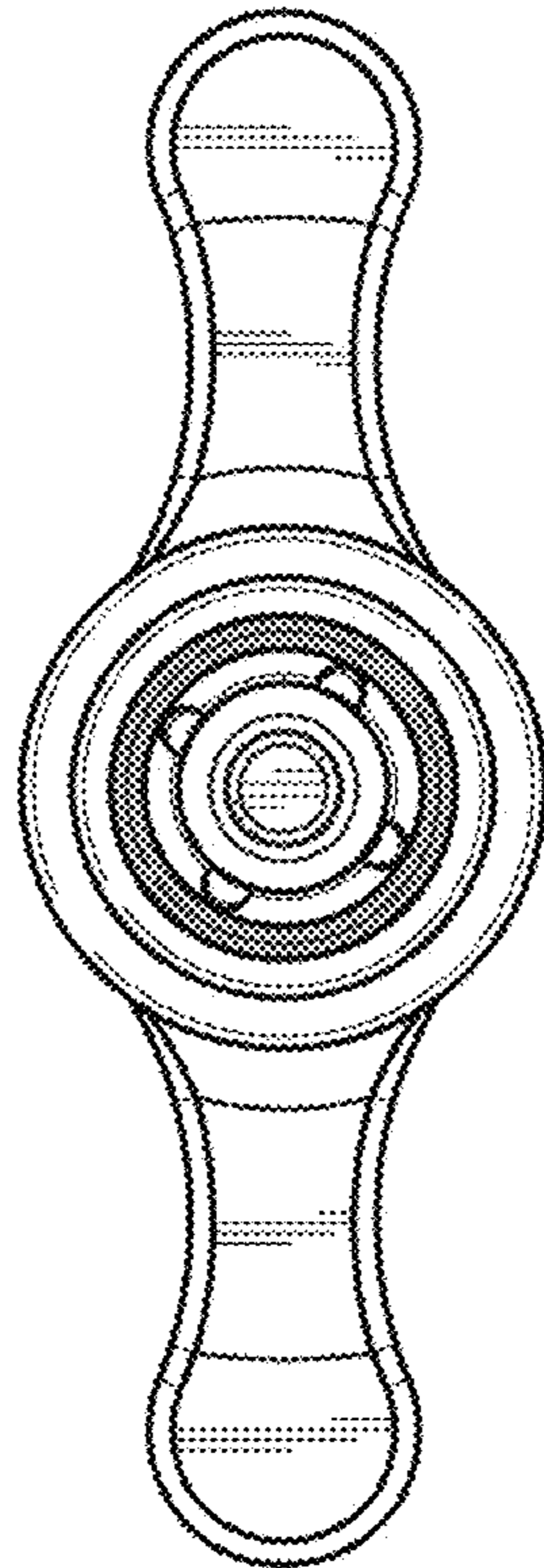


FIG. 7

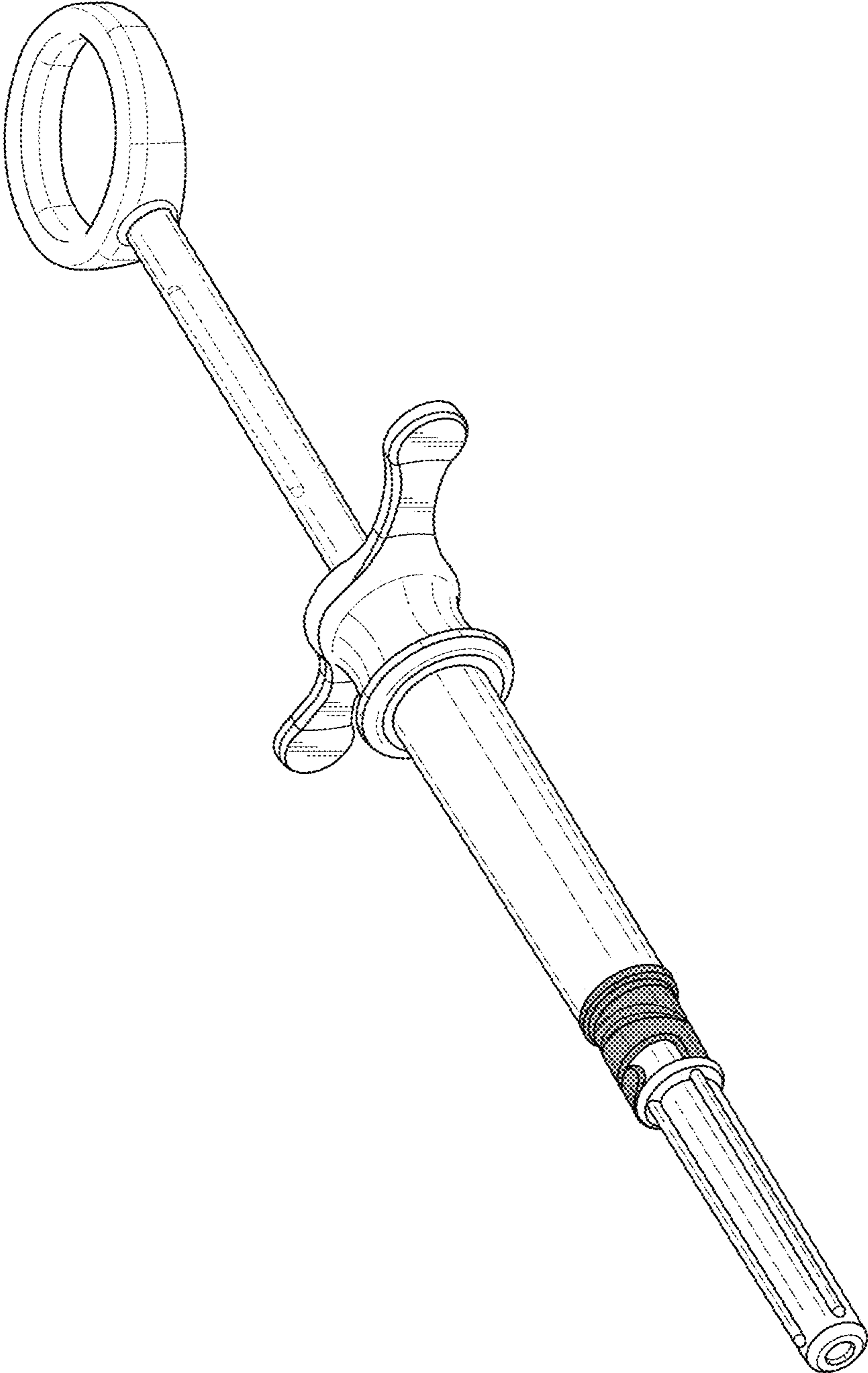


FIG. 9



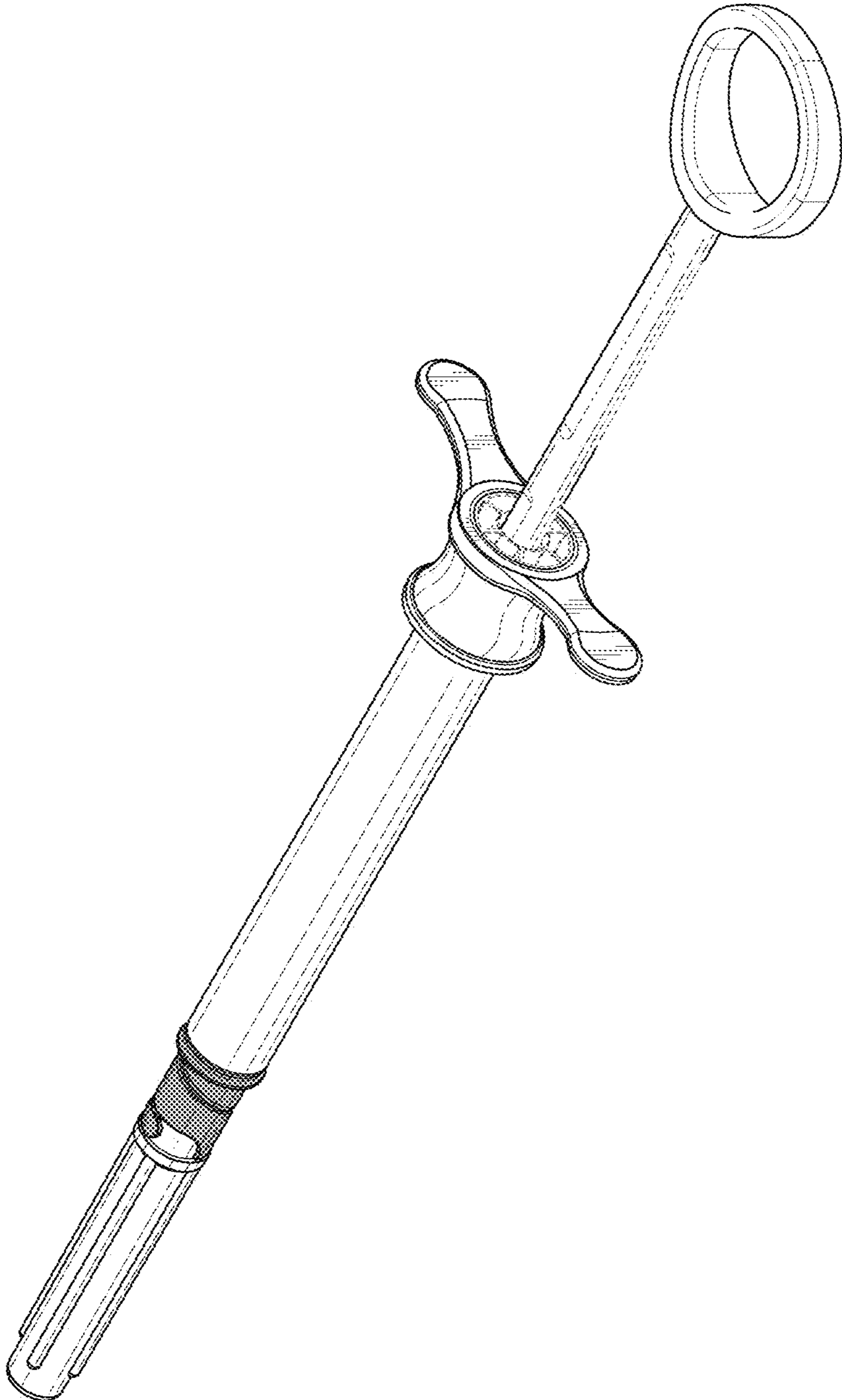


FIG. 10

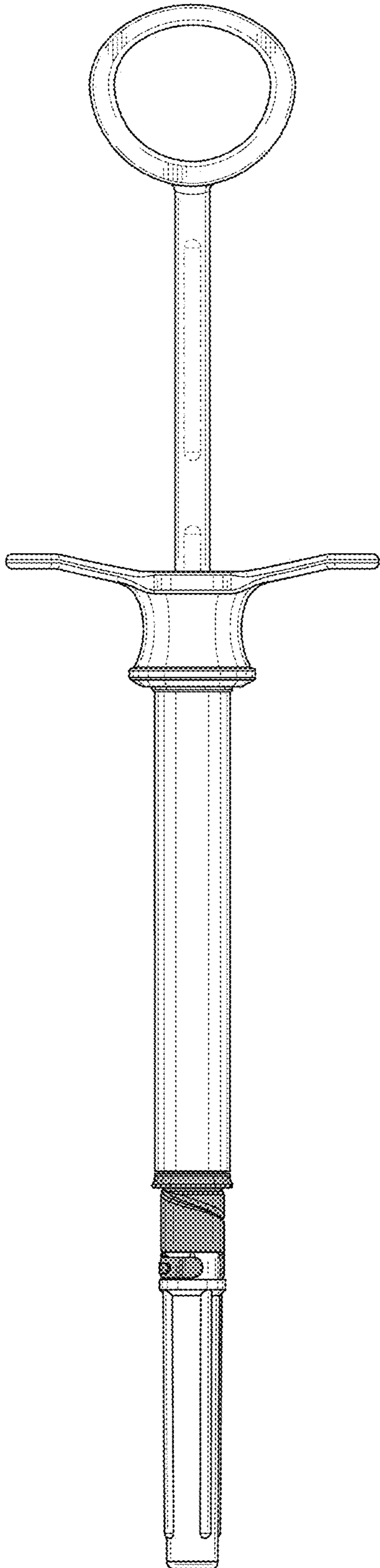


FIG. 11

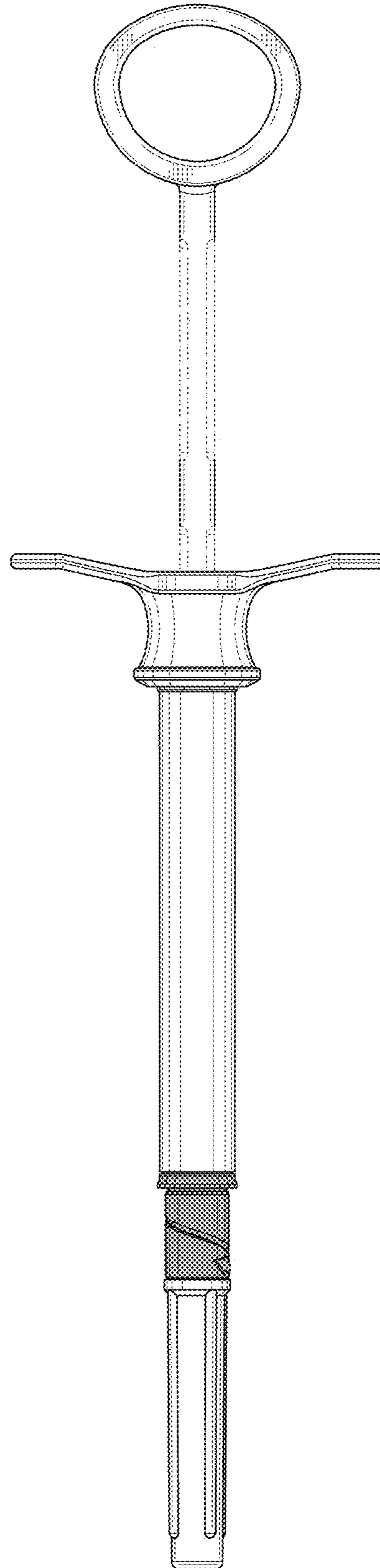


FIG. 12

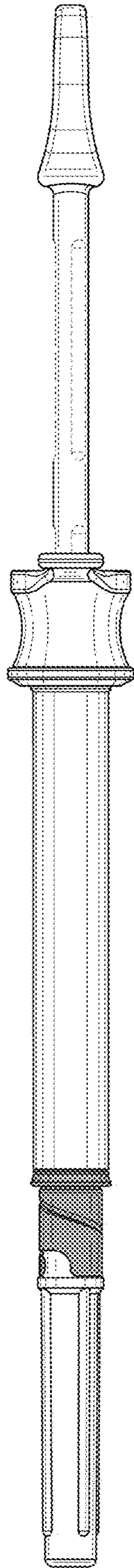


FIG. 13

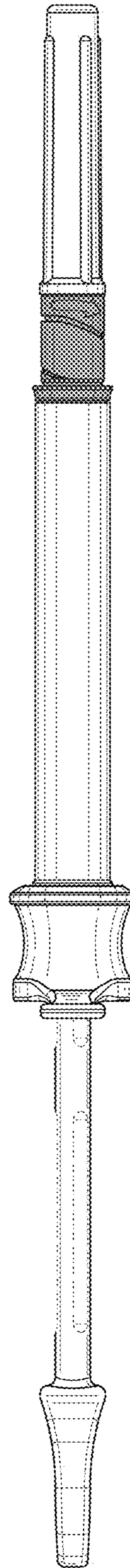


FIG. 14

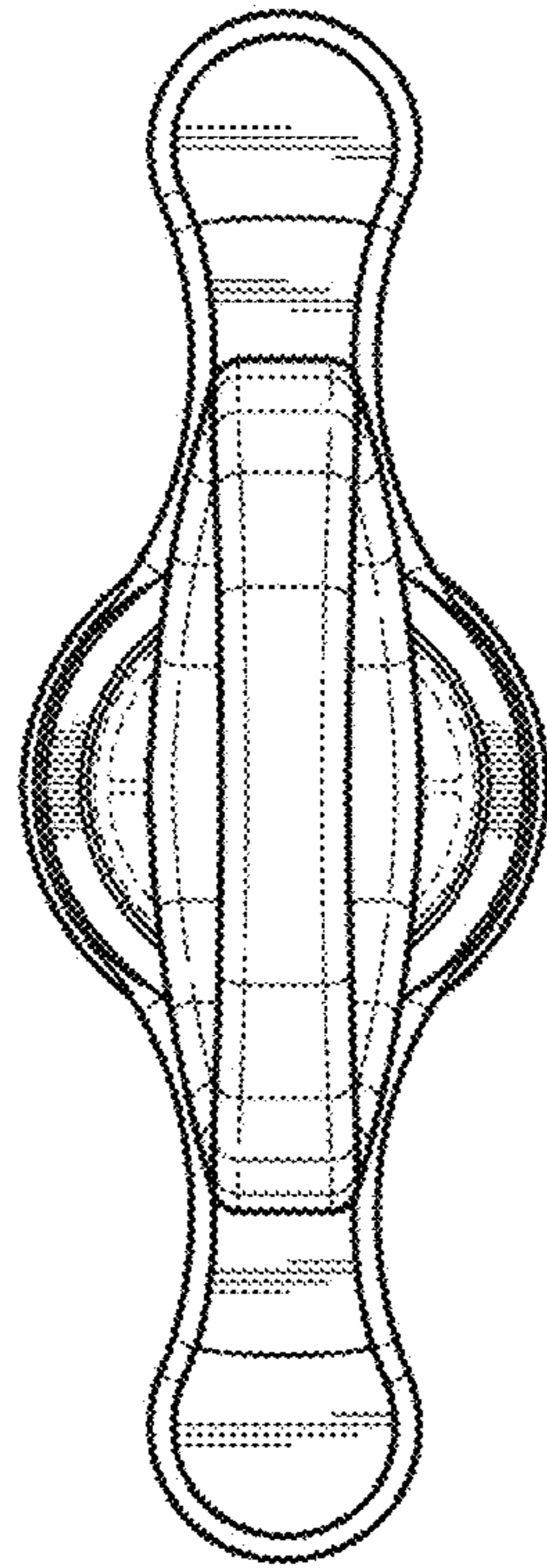


FIG. 16

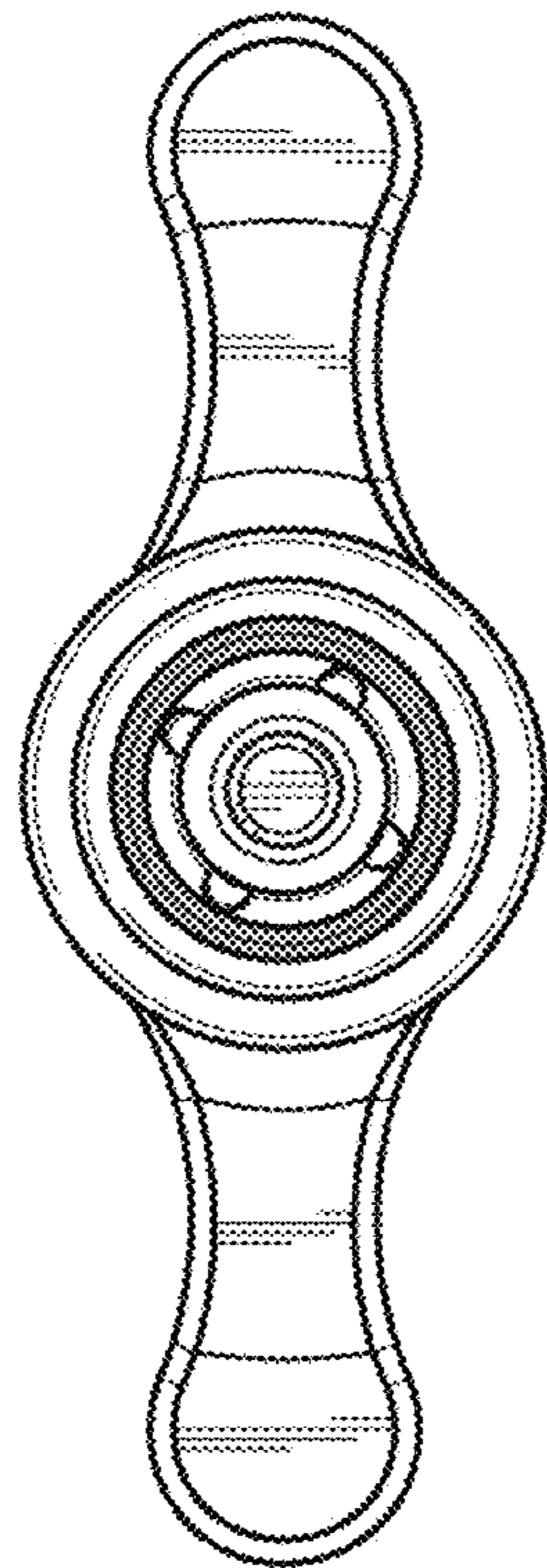


FIG. 15