



US00D814629S

(12) **United States Design Patent**
Chuang et al.

(10) **Patent No.:** **US D814,629 S**

(45) **Date of Patent:** **** Apr. 3, 2018**

(54) **MOUTHPIECE**

(71) Applicant: **Delta Electronics, Inc.**, Taoyuan (TW)

(72) Inventors: **Chun-Kai Chuang**, Taoyuan (TW);
Chung-Yung Lee, Taoyuan (TW)

(73) Assignee: **DELTA ELECTRONICS, INC.**,
Taoyuan (TW)

(**) Term: **15 Years**

(21) Appl. No.: **29/582,768**

(22) Filed: **Oct. 31, 2016**

(51) **LOC (11) Cl.** **29-02**

(52) **U.S. Cl.**
USPC **D24/110**

(58) **Field of Classification Search**
USPC D24/107, 108, 110, 110.1, 110.4, 110.5,
D24/127, 164; D29/108
CPC A61M 15/0085; A61M 15/0005; A61M
15/00; A61M 15/0065; A61M 15/0091;
A61M 15/0021; A61M 15/0026; A61M
11/005; A61M 11/00; A61M 11/02;
A61M 11/04; A61M 5/087; A61M
5/0871; A61M 5/091; A61M 5/097; A63B
23/18

See application file for complete search history.

(56) **References Cited**

U.S. PATENT DOCUMENTS

- 5,957,124 A * 9/1999 Lloyd A61M 15/0045
128/200.14
- 6,176,234 B1 * 1/2001 Salter A61M 15/00
128/200.14
- D754,329 S * 4/2016 Fleischer D24/110.5

- D787,664 S * 5/2017 Grunhut D24/127
- D805,629 S * 12/2017 Fiorenza D24/110
- 2014/0014106 A1 * 1/2014 Smutney A61M 15/00
128/203.15
- 2015/0068522 A1 * 3/2015 Chang A61M 15/0021
128/203.12
- 2016/0144139 A1 * 5/2016 Campbell A61M 15/009
128/200.23
- 2016/0279354 A1 * 9/2016 de Kruijf A61M 15/0086
- 2016/0375206 A1 * 12/2016 Gramann A61M 15/0021
128/203.12
- 2017/0265522 A1 * 9/2017 Li A24F 47/002

* cited by examiner

Primary Examiner — Karen E Kearney

Assistant Examiner — Aula Soroush

(74) *Attorney, Agent, or Firm* — Chun-Ming Shih; HDLS
IPR Services

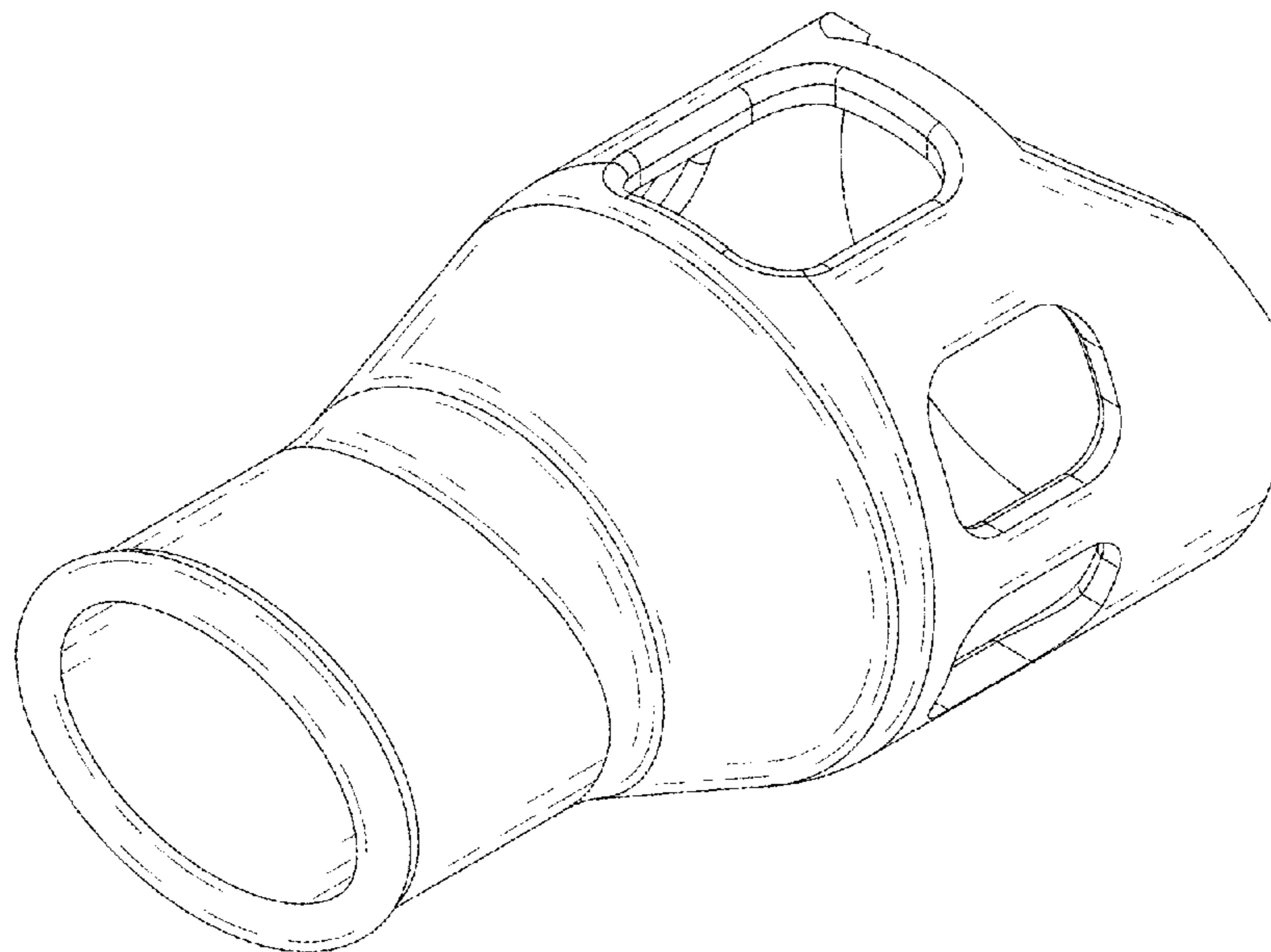
(57) **CLAIM**

The ornamental design for a mouthpiece, as shown and described.

DESCRIPTION

FIG. 1 is a perspective view of a mouthpiece showing our new design;
 FIG. 2 is a front view thereof;
 FIG. 3 is a rear view thereof;
 FIG. 4 is a left side view thereof;
 FIG. 5 is a right side view thereof;
 FIG. 6 is a top view thereof;
 FIG. 7 is a bottom view thereof;
 FIG. 8 is second perspective view thereof; and,
 FIG. 9 is a perspective view showing the mouthpiece in use. The broken lines in FIG. 9 depict environmental subject matter and form no part of the claimed design.

1 Claim, 9 Drawing Sheets



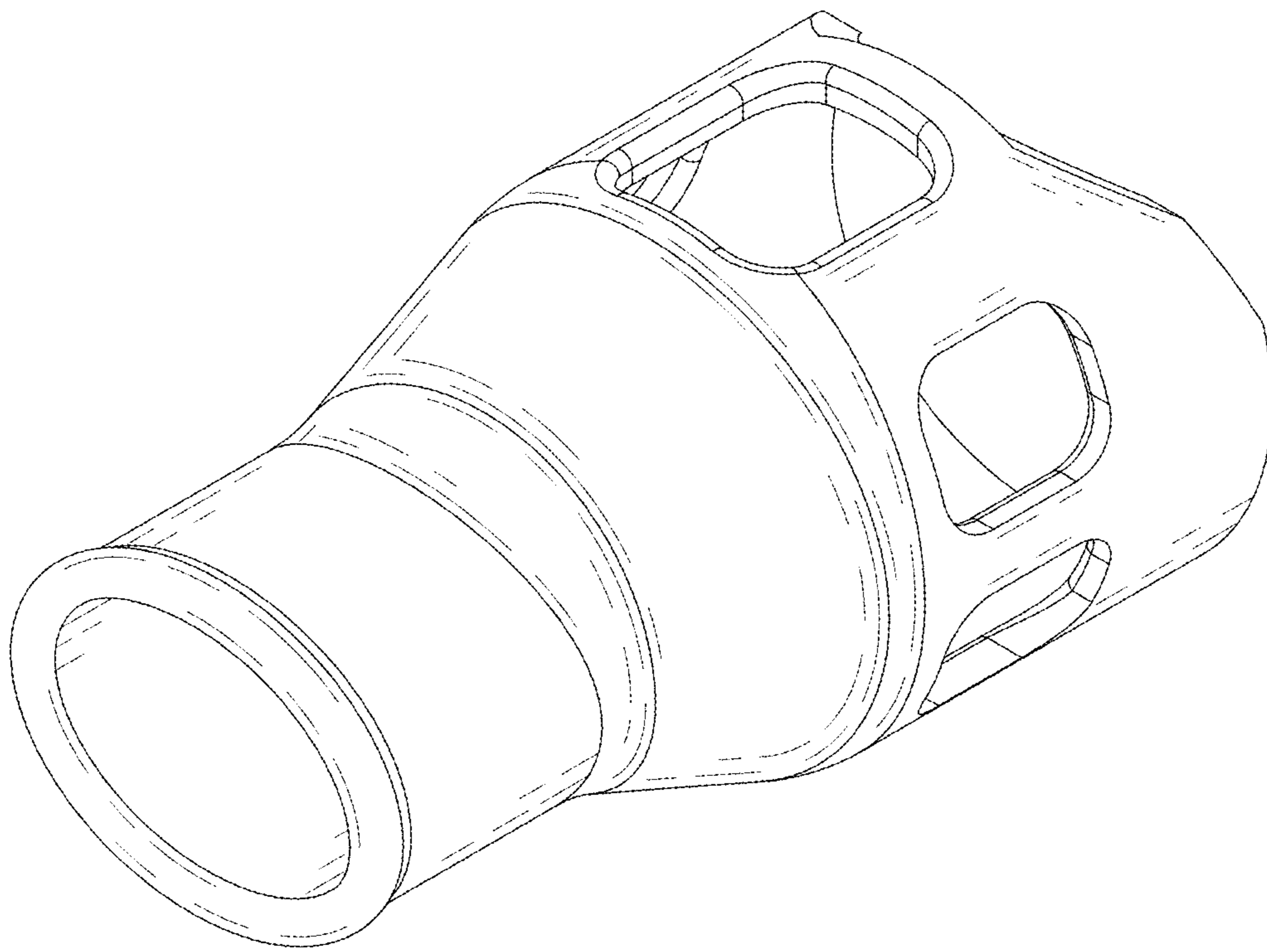


FIG.1

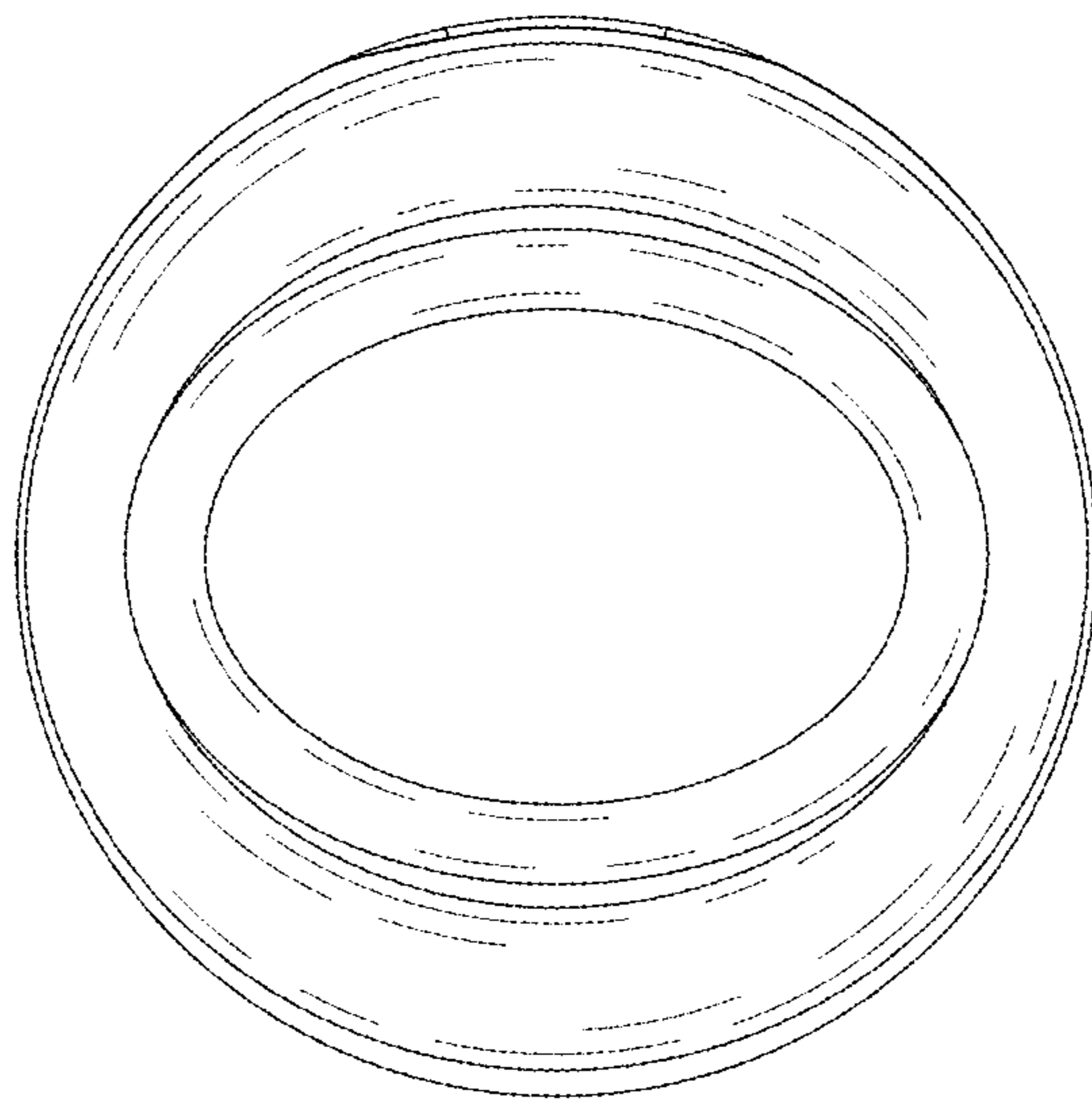


FIG.2

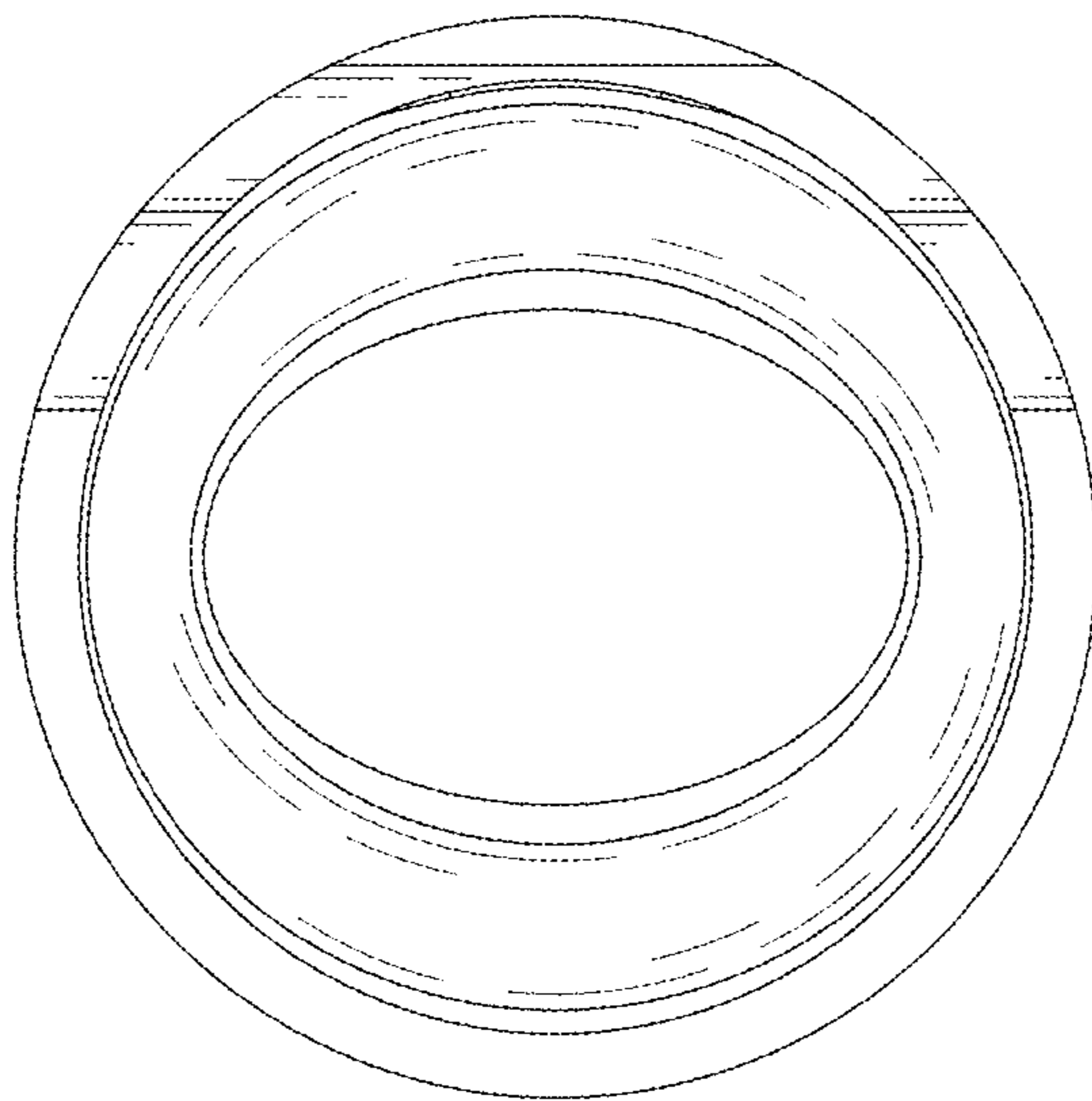


FIG.3

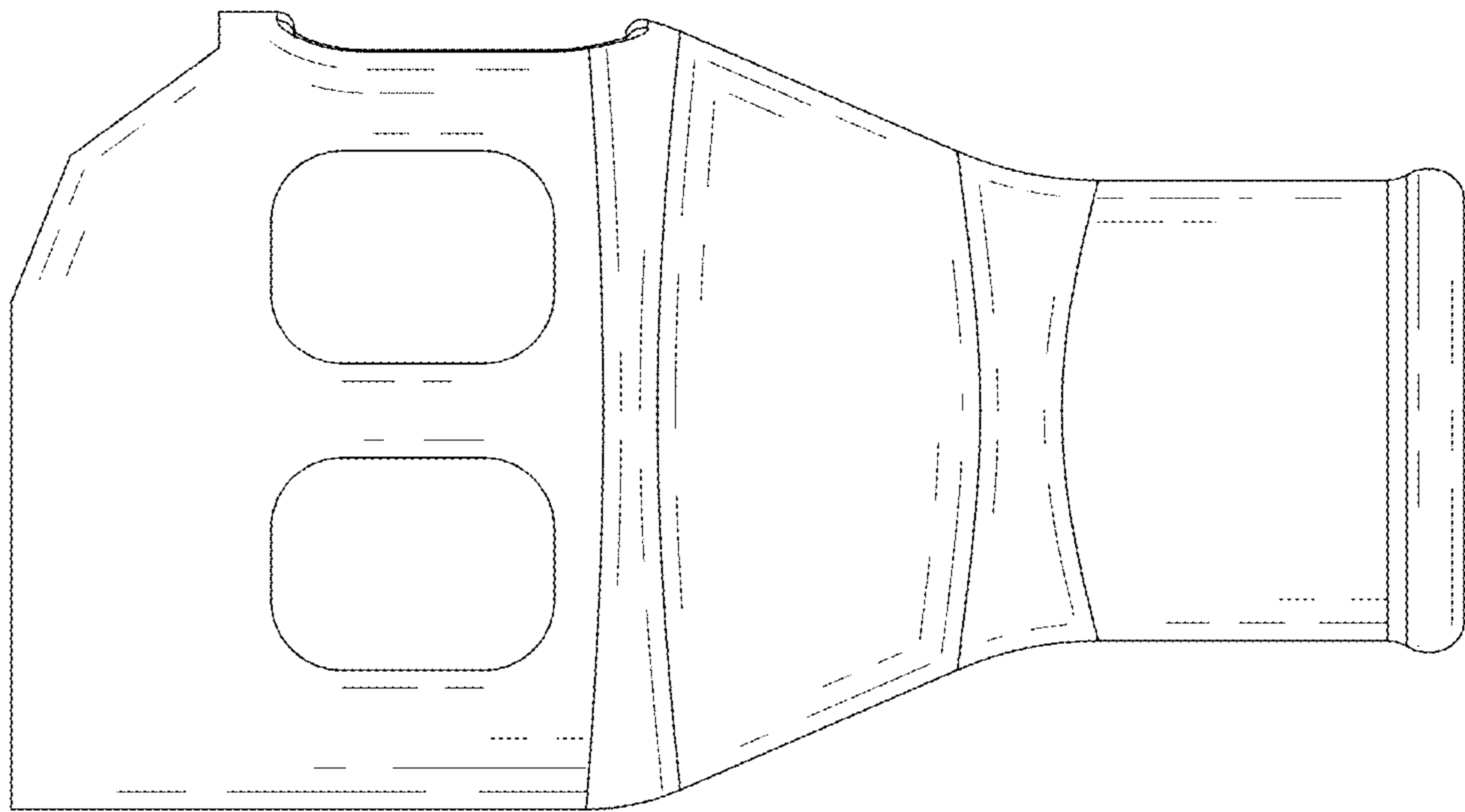


FIG.4

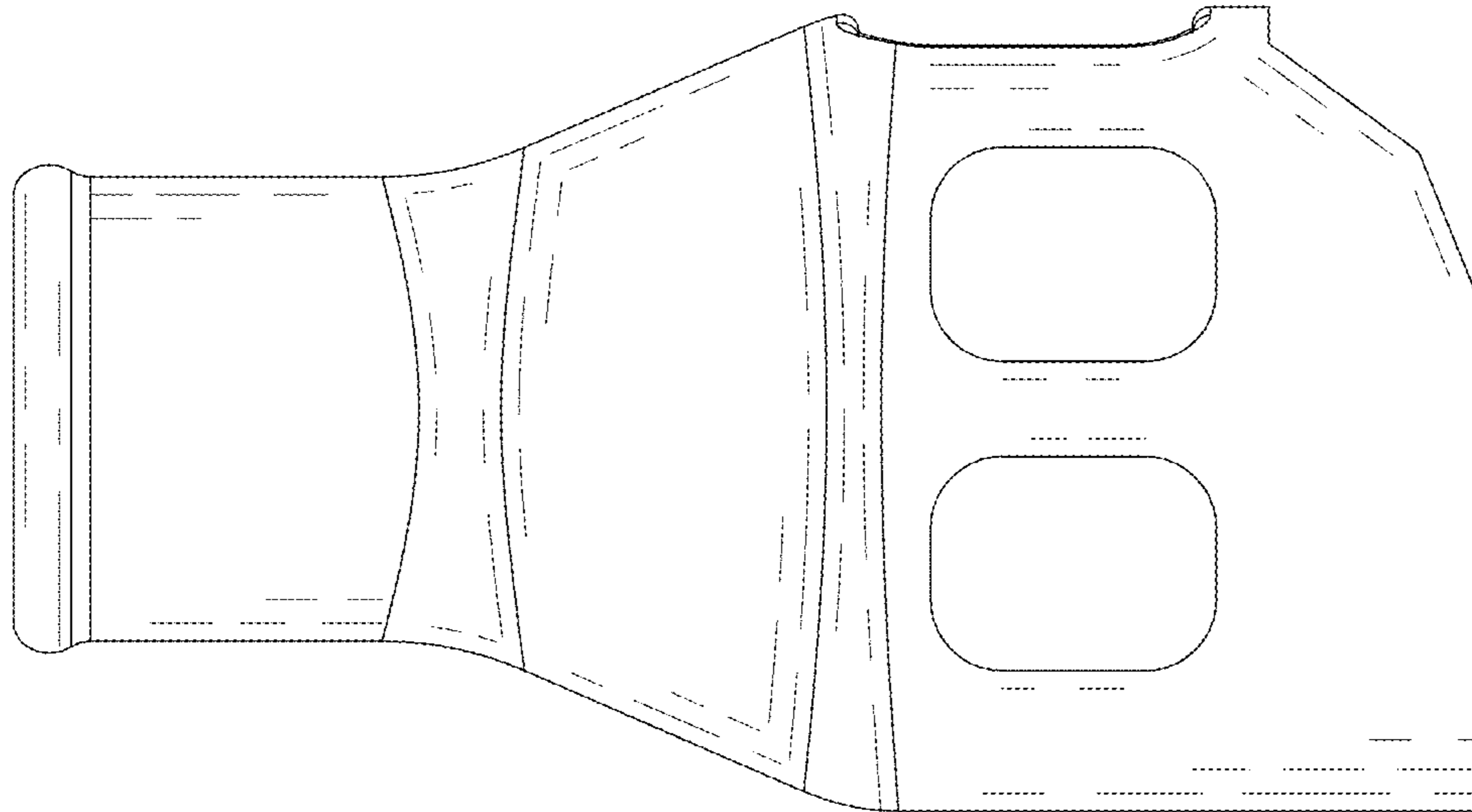


FIG.5

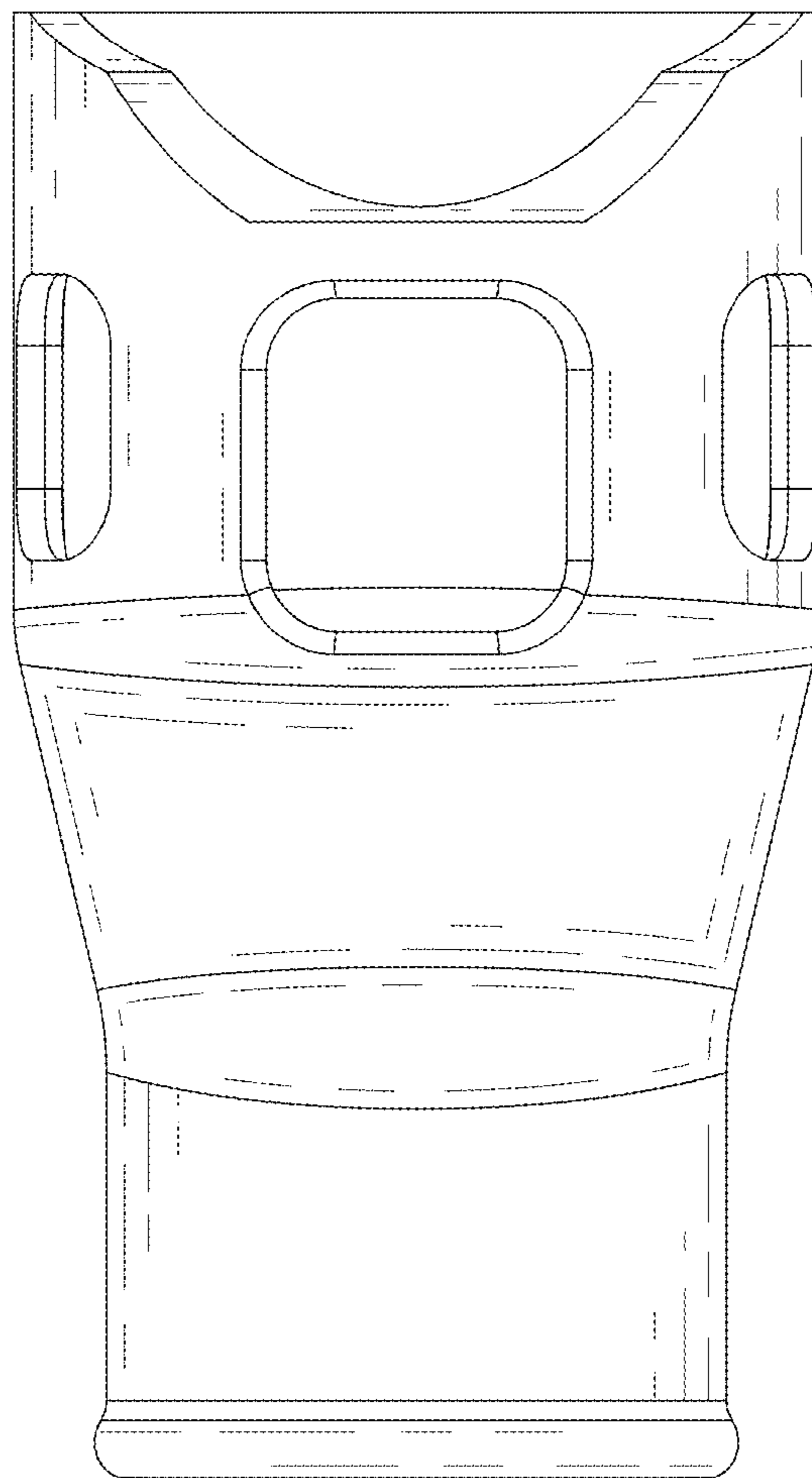


FIG.6

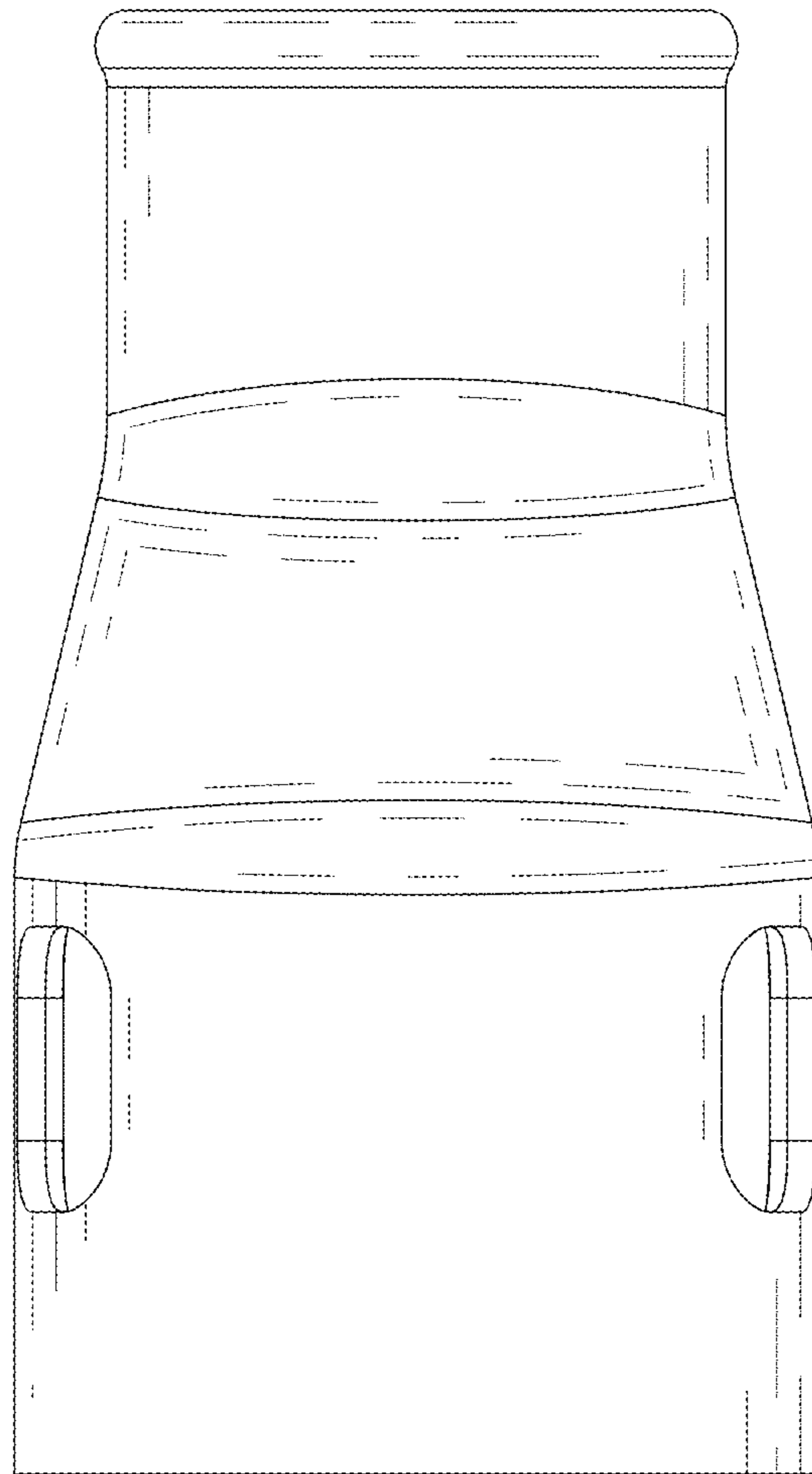


FIG.7

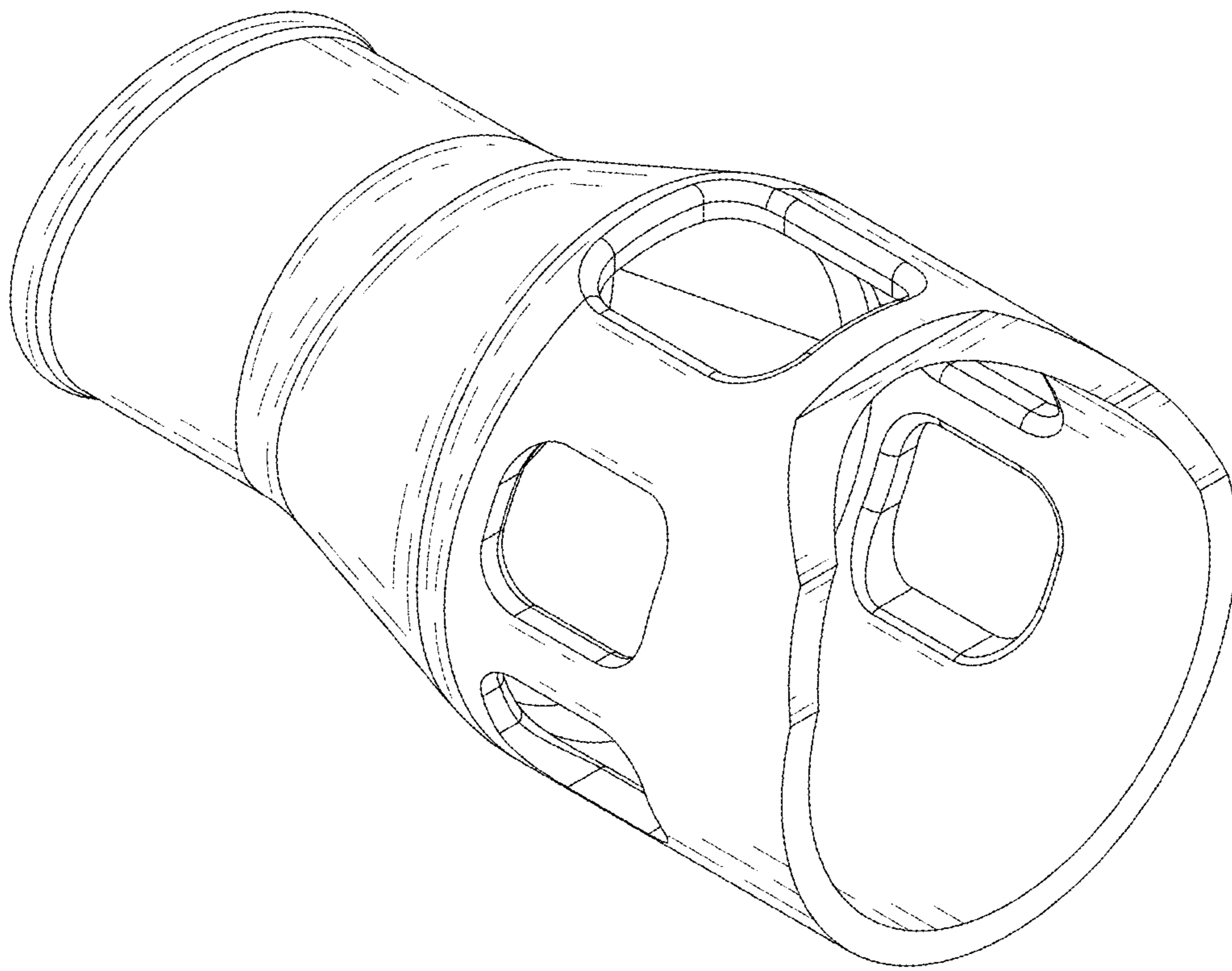


FIG. 8

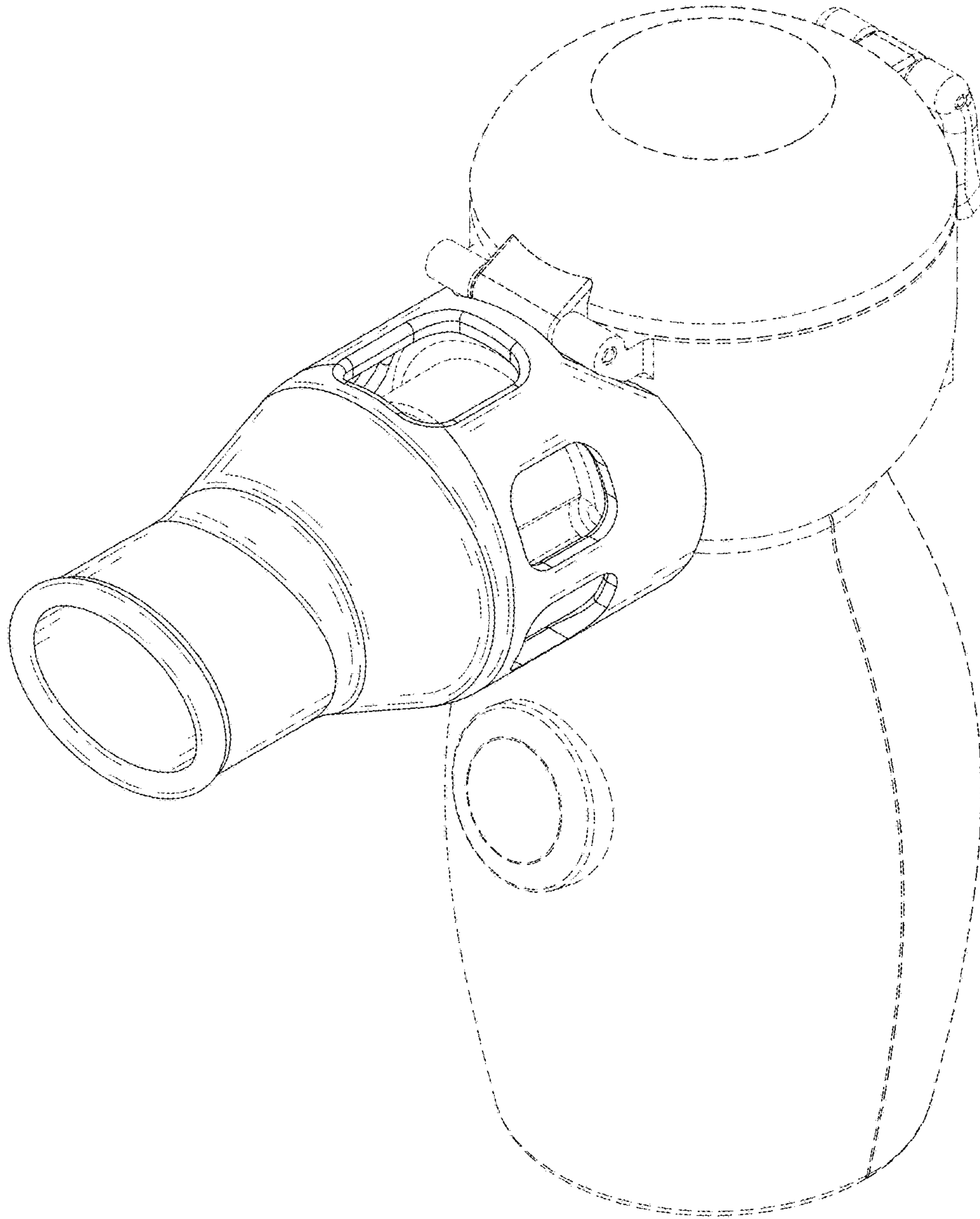


FIG.9