



US00D814623S

(12) **United States Design Patent**
Urano

(10) **Patent No.:** **US D814,623 S**

(45) **Date of Patent:** **** Apr. 3, 2018**

(54) **AIR-CONDITIONING OUTLET**

(71) Applicant: **KIMURA KOHKI CO., LTD.**,
Osaka-shi, Osaka (JP)

(72) Inventor: **Katsuhiko Urano**, Sakai (JP)

(73) Assignee: **KIMURA KOHKI CO., LTD.**,
Osaka-shi, Osaka (JP)

(**) Term: **15 Years**

(21) Appl. No.: **29/561,871**

(22) Filed: **Apr. 20, 2016**

(30) **Foreign Application Priority Data**

Oct. 20, 2015 (JP) 2015-023197

(51) **LOC (11) Cl.** **23-02**

(52) **U.S. Cl.**
USPC **D23/387**

(58) **Field of Classification Search**
USPC D23/387, 354, 386, 393
CPC F24F 7/00; F24F 7/02
See application file for complete search history.

(56) **References Cited**

U.S. PATENT DOCUMENTS

D269,809 S * 7/1983 Chadd D23/371
4,407,186 A * 10/1983 Izumi B60H 1/34
137/832
D274,749 S * 7/1984 Petermen D23/370
D283,838 S * 5/1986 Kimura D23/354
D332,305 S * 1/1993 Karlsson D23/371

D374,927 S * 10/1996 Chabot D23/386
D387,859 S * 12/1997 Ukai D23/370
D452,556 S * 12/2001 Kurokawa D23/354
D495,047 S * 8/2004 Gilbert D23/387
D571,450 S * 6/2008 Brown D23/387
D620,585 S * 7/2010 Adair D23/387

* cited by examiner

Primary Examiner — Charles Hanson

(74) *Attorney, Agent, or Firm* — Alleman Hall Creasman
& Tuttle LLP

(57) **CLAIM**

The ornamental design for an air-conditioning outlet, as shown and described.

DESCRIPTION

FIG. 1 is a left side view of an ornamental design for an air-conditioning outlet showing my new design, a right side view being symmetrical with the left side view.

FIG. 2 is a rear view of the air-conditioning outlet of FIG. 1.

FIG. 3 is a front view of the air-conditioning outlet of FIG. 1.

FIG. 4 is a top view of the air-conditioning outlet of FIG. 1.

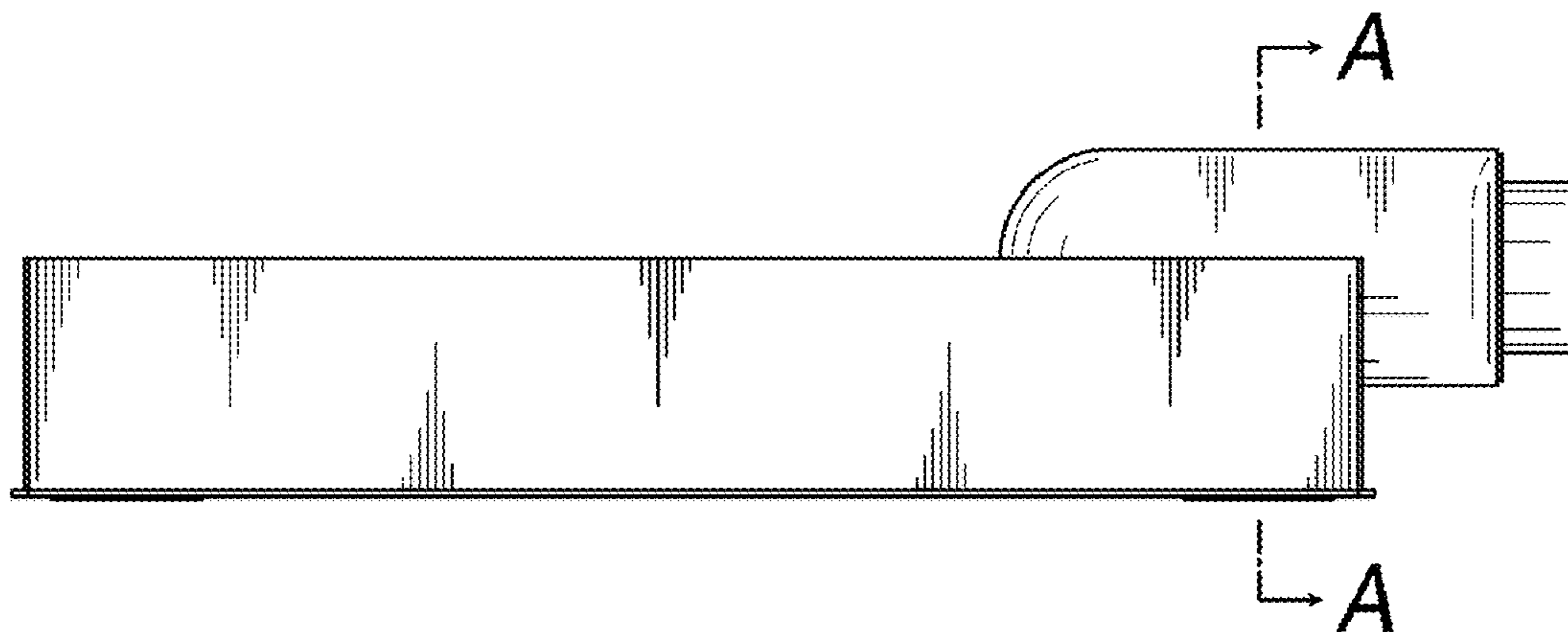
FIG. 5 is a bottom view of the air-conditioning outlet of FIG. 1.

FIG. 6 is a bottom perspective view of the air-conditioning outlet of FIG. 1.

FIG. 7 is a sectional view of the air-conditioning outlet taken along A-A in FIG. 1; and,

FIG. 8 is a sectional view of the air-conditioning outlet of FIG. 1 taken along B-B of FIG. 4.

1 Claim, 5 Drawing Sheets



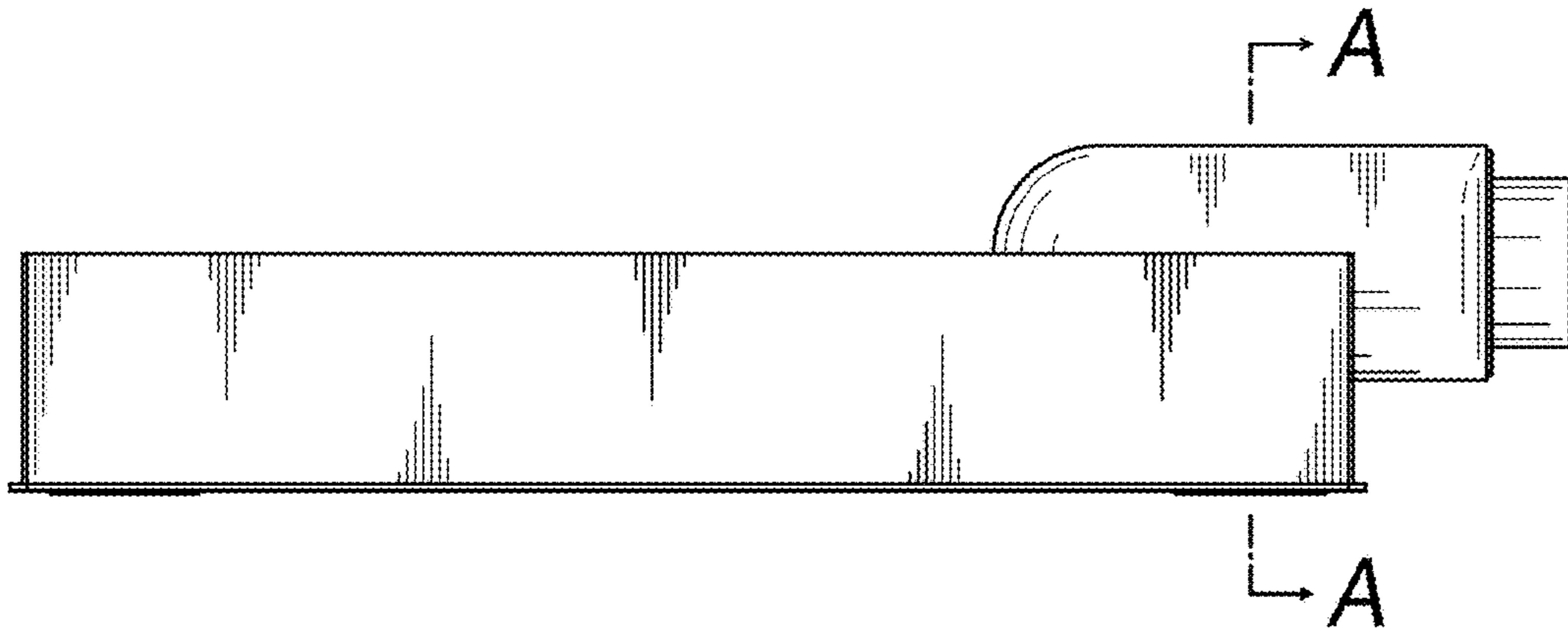


FIG. 1

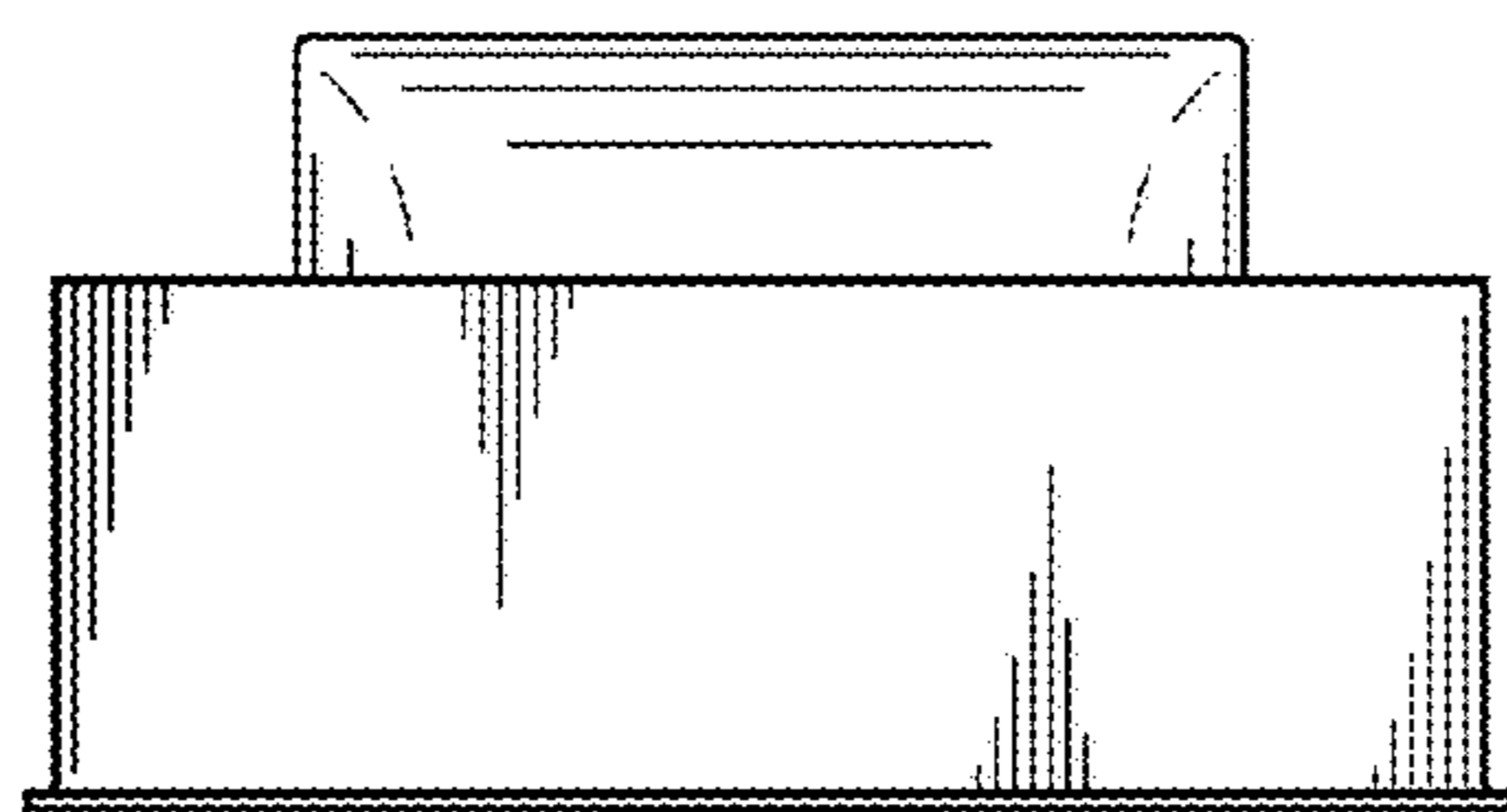


FIG. 2

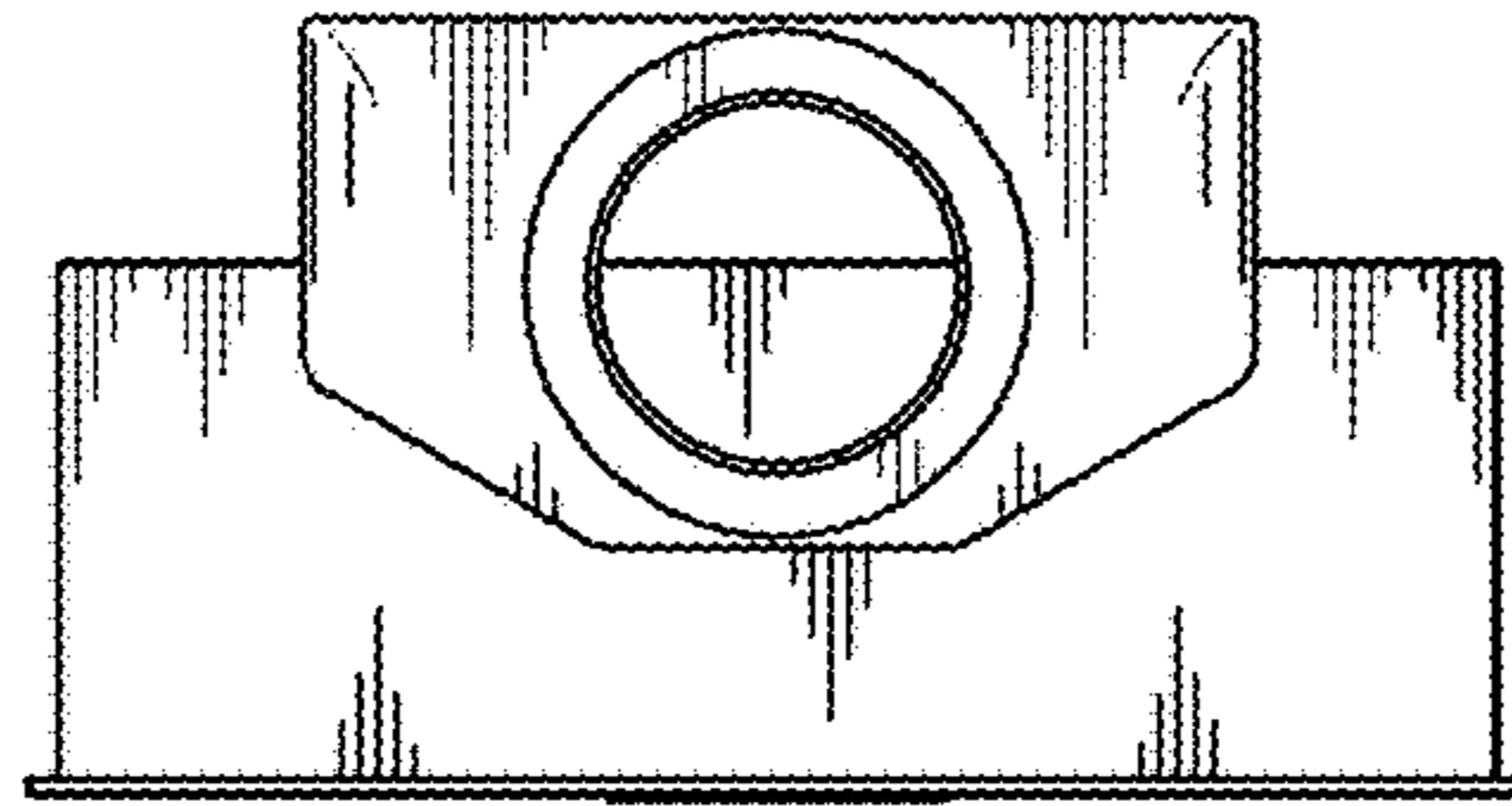


FIG. 3

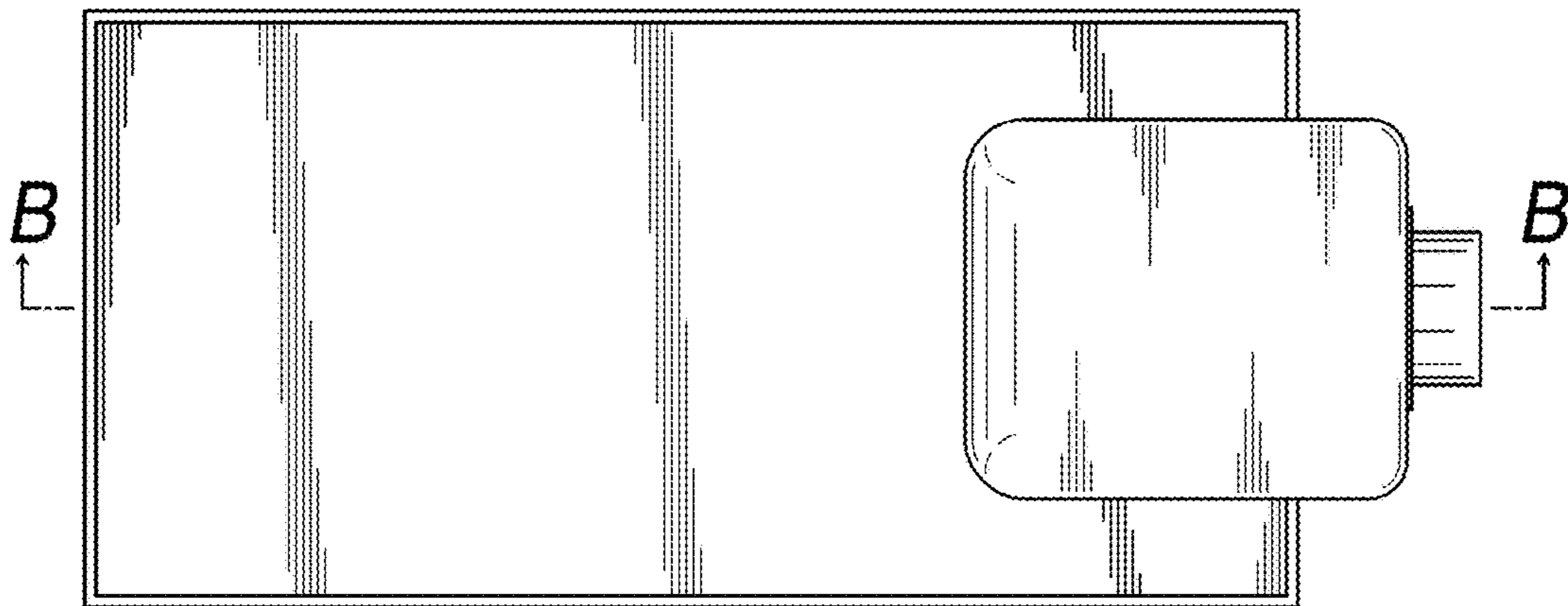


FIG. 4

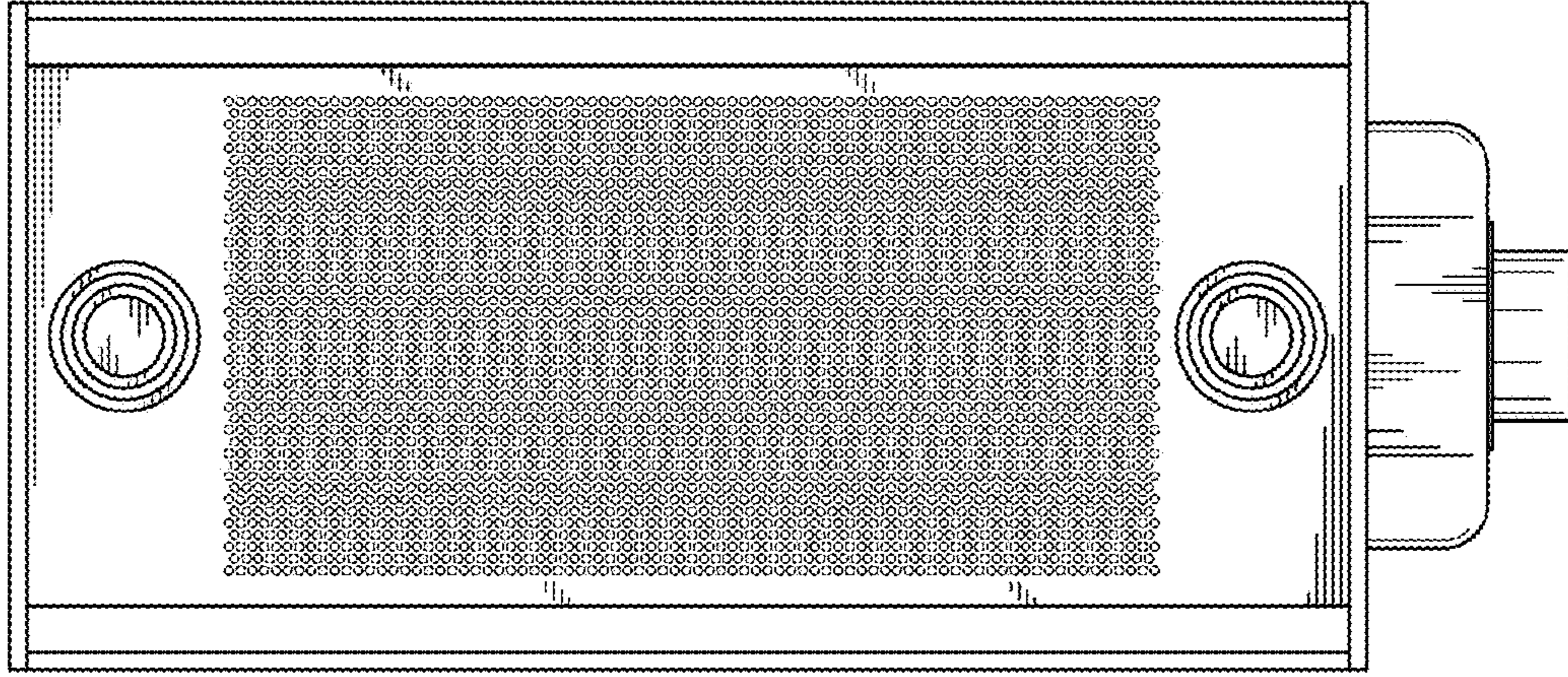


FIG. 5

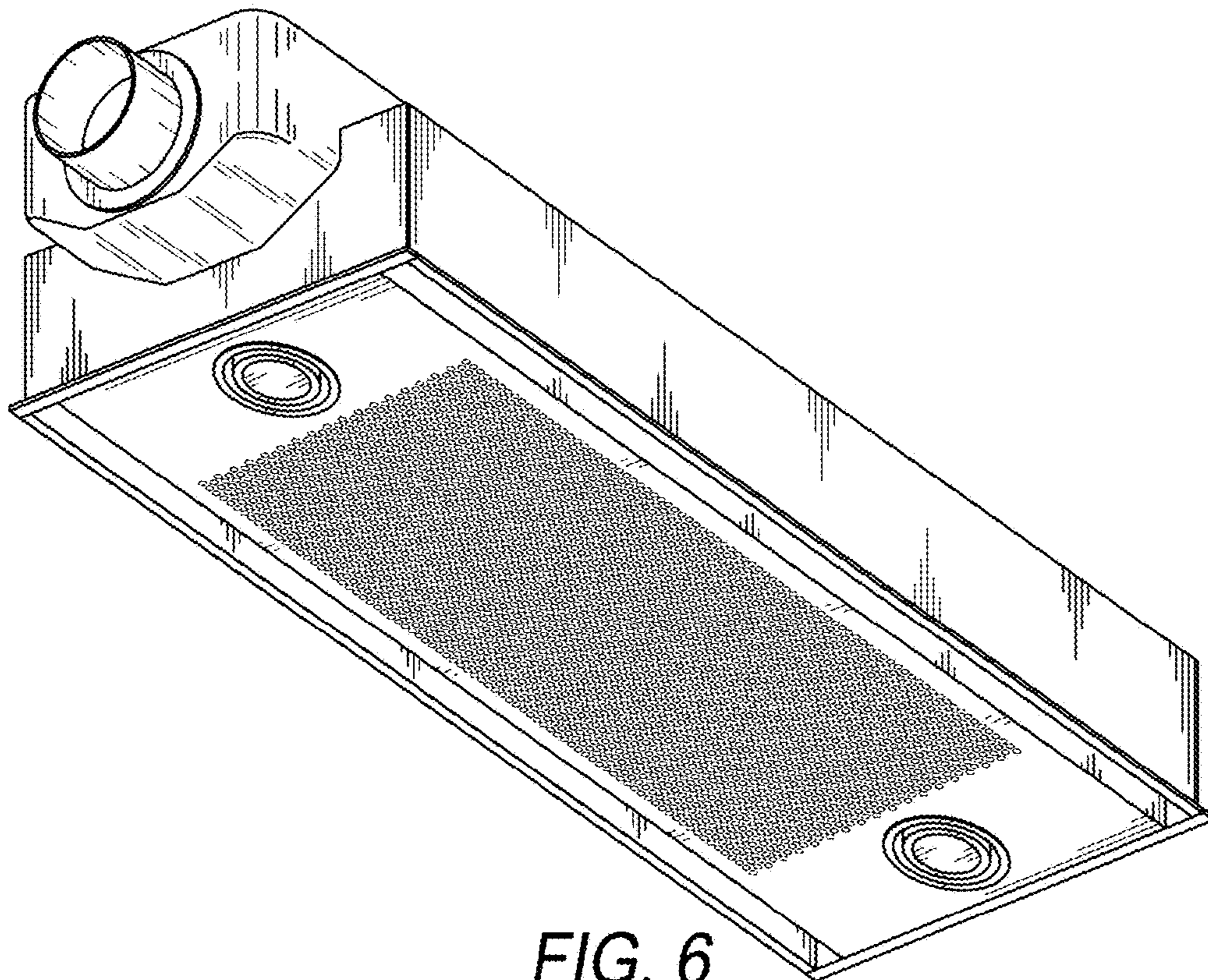


FIG. 6

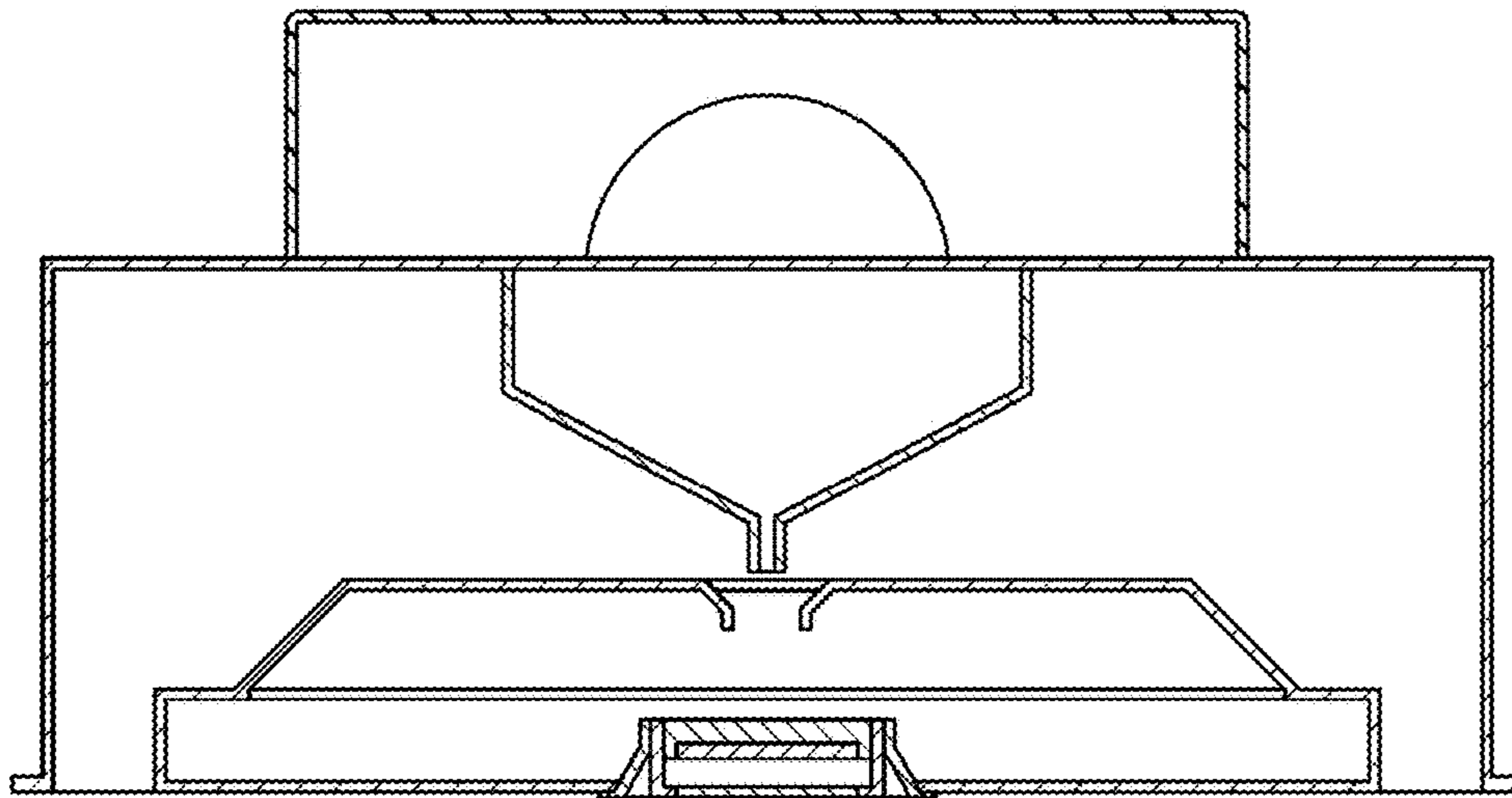


FIG. 7

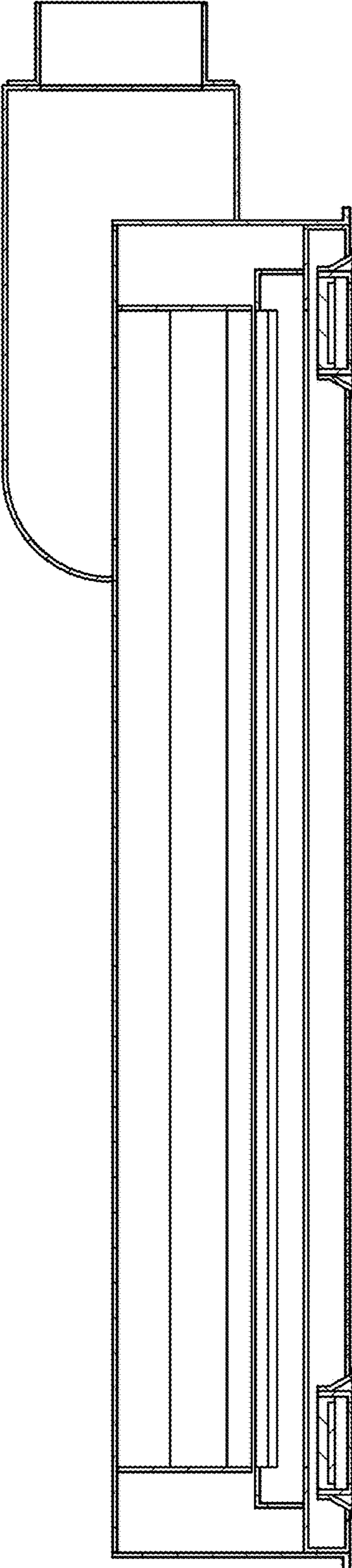


FIG. 8