



US00D814622S

(12) **United States Design Patent** (10) **Patent No.:** **US D814,622 S**
Gajewski (45) **Date of Patent:** **** *Apr. 3, 2018**

(54) **COMBINATION CEILING FAN AND LIGHT FIXTURE**

(71) Applicant: **Minka Lighting, Inc.**, Corona, CA (US)

(72) Inventor: **Mark Gajewski**, Avila Beach, CA (US)

(*) Notice: This patent is subject to a terminal disclaimer.

(**) Term: **15 Years**

(21) Appl. No.: **29/593,160**

(22) Filed: **Feb. 6, 2017**

Related U.S. Application Data

(63) Continuation of application No. 29/553,157, filed on Jan. 28, 2016, now Pat. No. Des. 778,422.

(51) **LOC (11) Cl.** **23-04**

(52) **U.S. Cl.**
USPC **D23/377; D26/59**

(58) **Field of Classification Search**

USPC D23/377, 379, 385, 387, 411-414, 499;
416/1, 5, 170 R, 214 R, 184, 206, 207,
416/210 R, 220 R, 244 R, 248; 392/364;
D26/59, 51, 72, 73, 80-86, 88, 90
CPC F04D 25/088; F04D 29/005; F04D 29/601;
F04D 29/322; F04D 29/324; F04D 29/34;
F21V 33/0096

See application file for complete search history.

(56) **References Cited**

U.S. PATENT DOCUMENTS

D90,062 S 6/1933 Dasher
D90,063 S * 6/1933 Dasher D23/377
D132,865 S 6/1942 Drollinger
D149,133 S 3/1948 Kisling
D160,391 S 10/1950 Hutcheson
3,833,201 A 9/1974 Dill

D241,615 S 9/1976 King
3,989,226 A 11/1976 Burgess
D251,108 S 2/1979 Desilets
D260,717 S 9/1981 Gusdorf
D295,430 S 4/1988 Smith
D295,555 S * 5/1988 Greenberg D23/377
D298,454 S * 11/1988 Clyde-Mason D23/377
4,838,506 A 6/1989 Cooper
D302,324 S 7/1989 Moran et al.
D302,863 S 8/1989 Krol
D318,725 S * 7/1991 Jaeger D23/377
5,028,206 A * 7/1991 Kendregan F04D 25/088
362/96
D331,638 S 12/1992 Vamberszky et al.
D334,055 S * 3/1993 Oyama D23/377

(Continued)

Primary Examiner — Susan Bennett Hattan

Assistant Examiner — Marie D. Fast Horse

(74) *Attorney, Agent, or Firm* — Baker & McKenzie, LLP

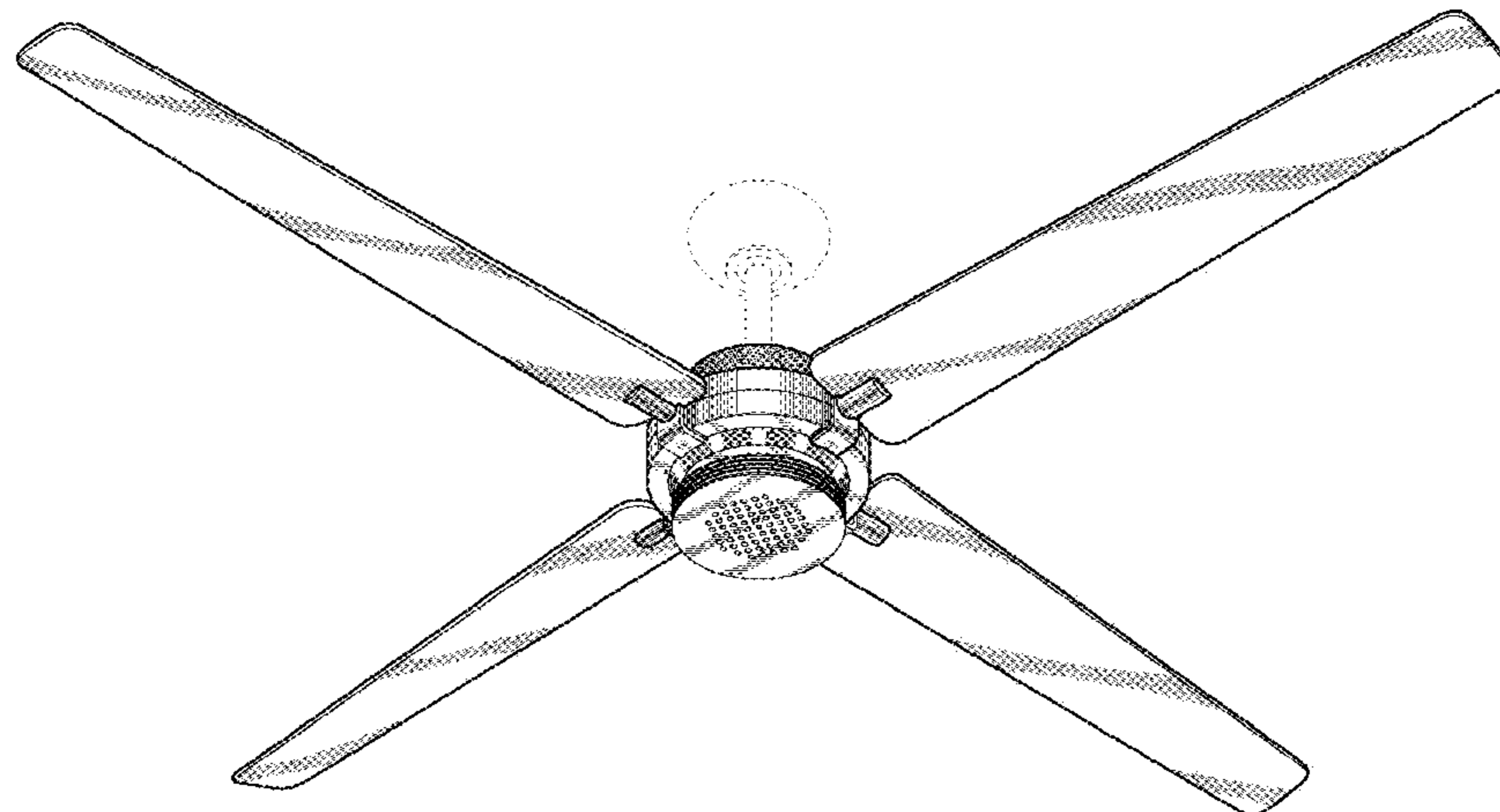
(57) **CLAIM**

The ornamental design for a combination ceiling fan and light fixture, as shown and described.

DESCRIPTION

FIG. 1 is a perspective view of a combination ceiling fan and light fixture in accordance with my design;
FIG. 2 is a top plan view of the combination ceiling fan and light fixture in accordance with my design;
FIG. 3 is a bottom plan view of the combination ceiling fan and light fixture in accordance with my design;
FIG. 4 is a front elevation view of the combination ceiling fan and light fixture in accordance with my design, the rear view being identical thereto; and,
FIG. 5 is a left side elevation view of the combination ceiling fan and light fixture in accordance with my design, the opposite side view being identical thereto.
The broken-line disclosure of elements is understood to represent portions of the article in which the design is embodied, but which form no part of the claimed design.

1 Claim, 4 Drawing Sheets



(56)

References Cited

U.S. PATENT DOCUMENTS

D345,790 S *	4/1994	Caldwell	D23/377	D627,872 S	11/2010	Pan	
D391,657 S	3/1998	Compton			D628,312 S	11/2010	Yamamoto et al.	
D397,482 S	8/1998	Binsukor			D628,688 S *	12/2010	Pan D23/377
D408,515 S *	4/1999	Evans	D23/377	D639,498 S	6/2011	Kawagoe et al.	
5,951,253 A	9/1999	Gajewski			D652,133 S	1/2012	Hiner et al.	
D421,113 S *	2/2000	Zuege	D23/377	D656,813 S	4/2012	Dotsey et al.	
D434,133 S	11/2000	Johnson			D676,543 S	2/2013	Hiner et al.	
6,158,964 A	12/2000	Gajewski			D676,952 S	2/2013	Hiner	
6,171,060 B1 *	1/2001	Gajewski	F04D 25/088 416/214 R	D684,251 S	6/2013	Pan	
6,209,853 B1	4/2001	Roy et al.			D698,914 S	2/2014	Love et al.	
D449,029 S	10/2001	Hanson et al.			D700,984 S	3/2014	Yang	
D488,555 S	4/2004	Huang			D704,819 S	5/2014	Wang	
D497,447 S	10/2004	Yoneda			D707,336 S *	6/2014	Pan D23/377
D530,039 S	10/2006	Blackman			D728,775 S	5/2015	Gajewski	
D541,958 S *	5/2007	Holldorff	D26/24	D730,717 S	6/2015	Moreau et al.	
D556,017 S	11/2007	Huller, III			D739,217 S	9/2015	Wu	
D583,923 S *	12/2008	Bucher	D23/377	D741,688 S	10/2015	James	
D584,428 S	1/2009	Li et al.			D742,059 S	10/2015	Gettings et al.	
D589,636 S	3/2009	Pinette			D747,452 S *	1/2016	Gajewski D23/377
D594,314 S	6/2009	Huller, III			D752,199 S	3/2016	Berkman et al.	
D594,997 S	6/2009	Zhu et al.			D778,422 S *	2/2017	Gajewski D23/377
D596,733 S *	7/2009	Kihara	D23/377	D779,052 S *	2/2017	Gajewski D23/411
D626,666 S	11/2010	Yamamoto et al.			D779,093 S *	2/2017	Gajewski D26/59
D627,053 S	11/2010	Pan			2003/0185684 A1	10/2003	Zhong	
					2005/0220623 A1	10/2005	DeLeon	
					2006/0024165 A1	2/2006	Gajewski	
					2009/0175728 A1	7/2009	DeLeon	
					2010/0074754 A1	3/2010	Taya	

* cited by examiner

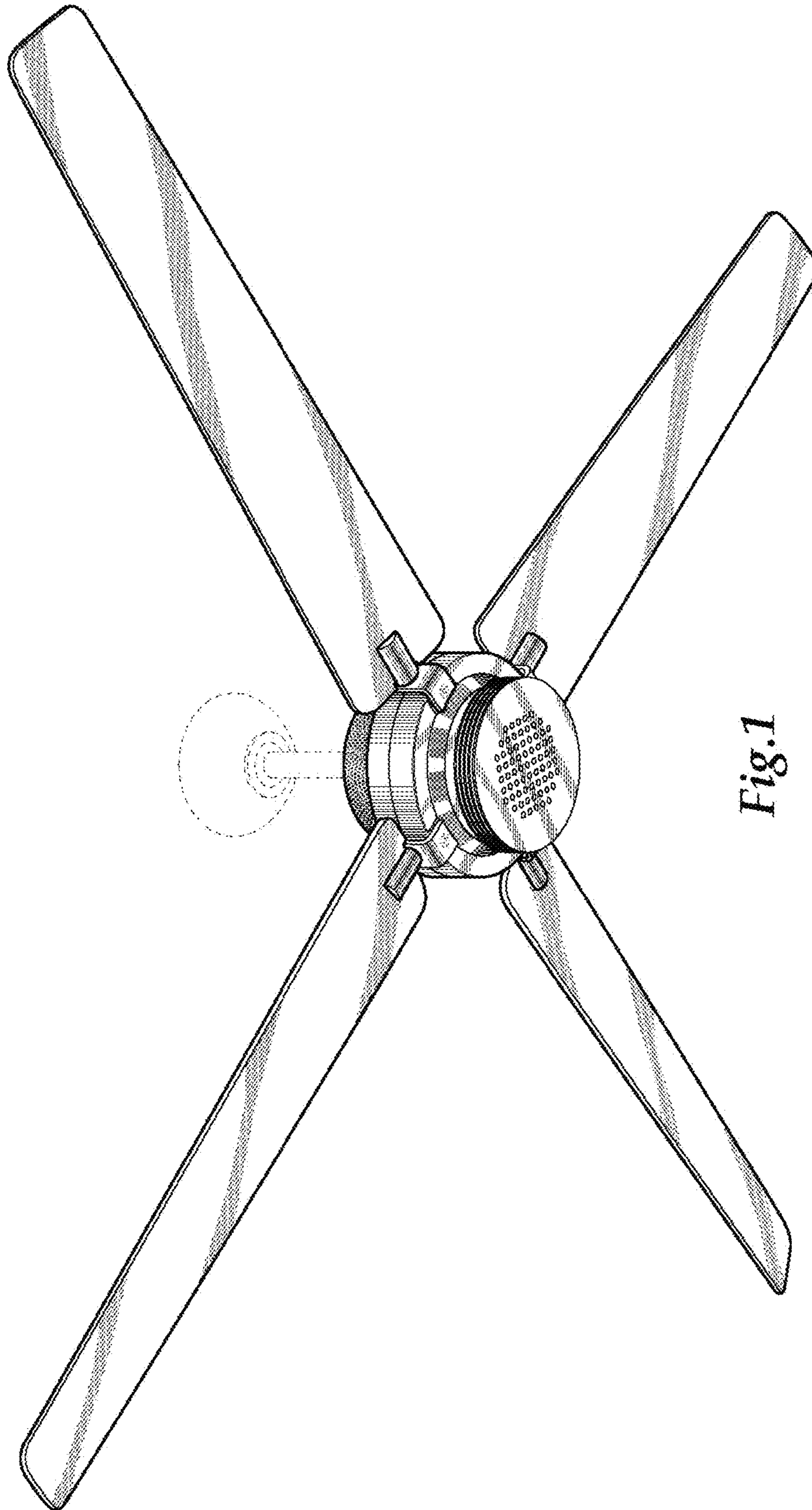


Fig. 1

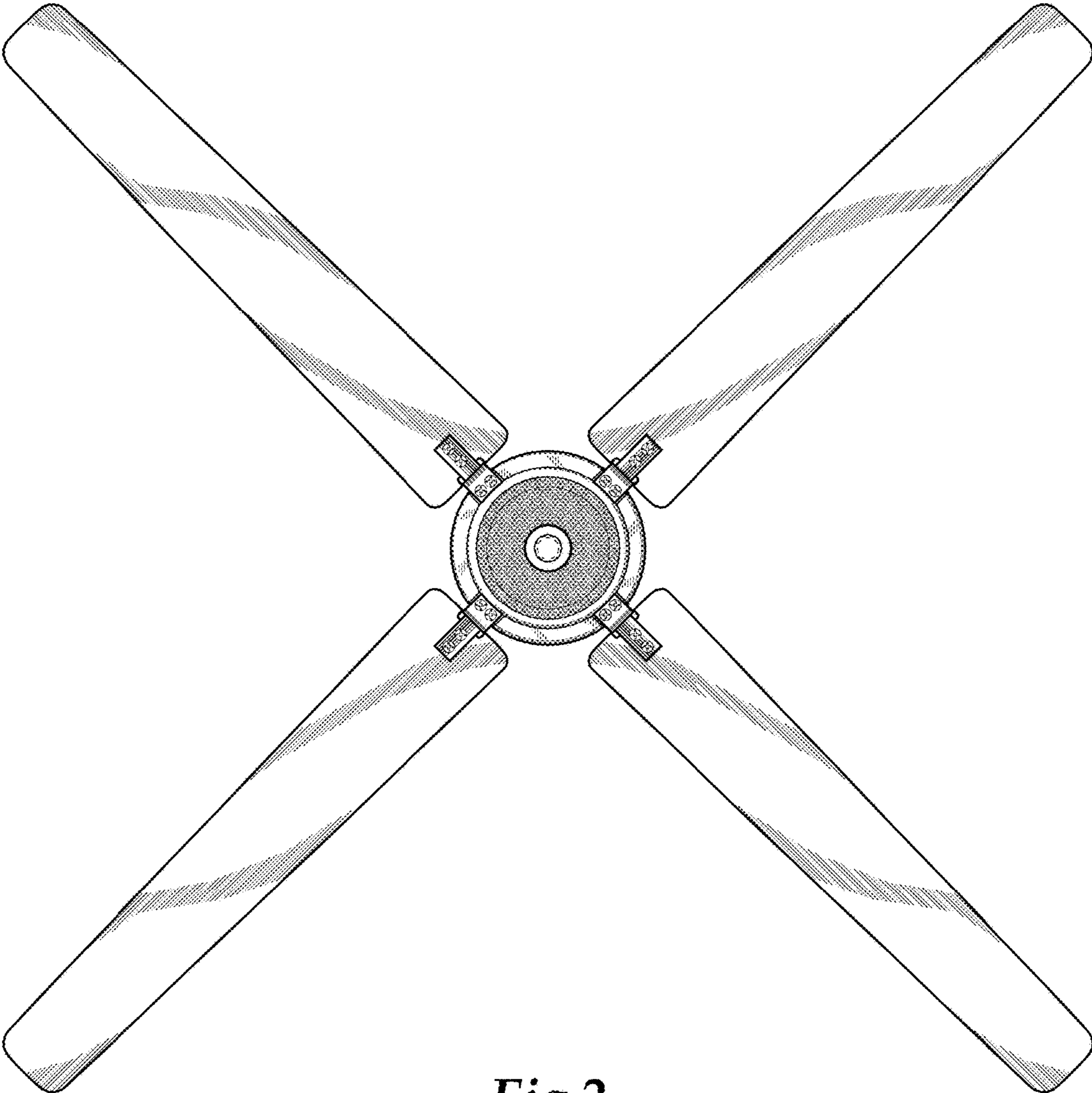


Fig.2

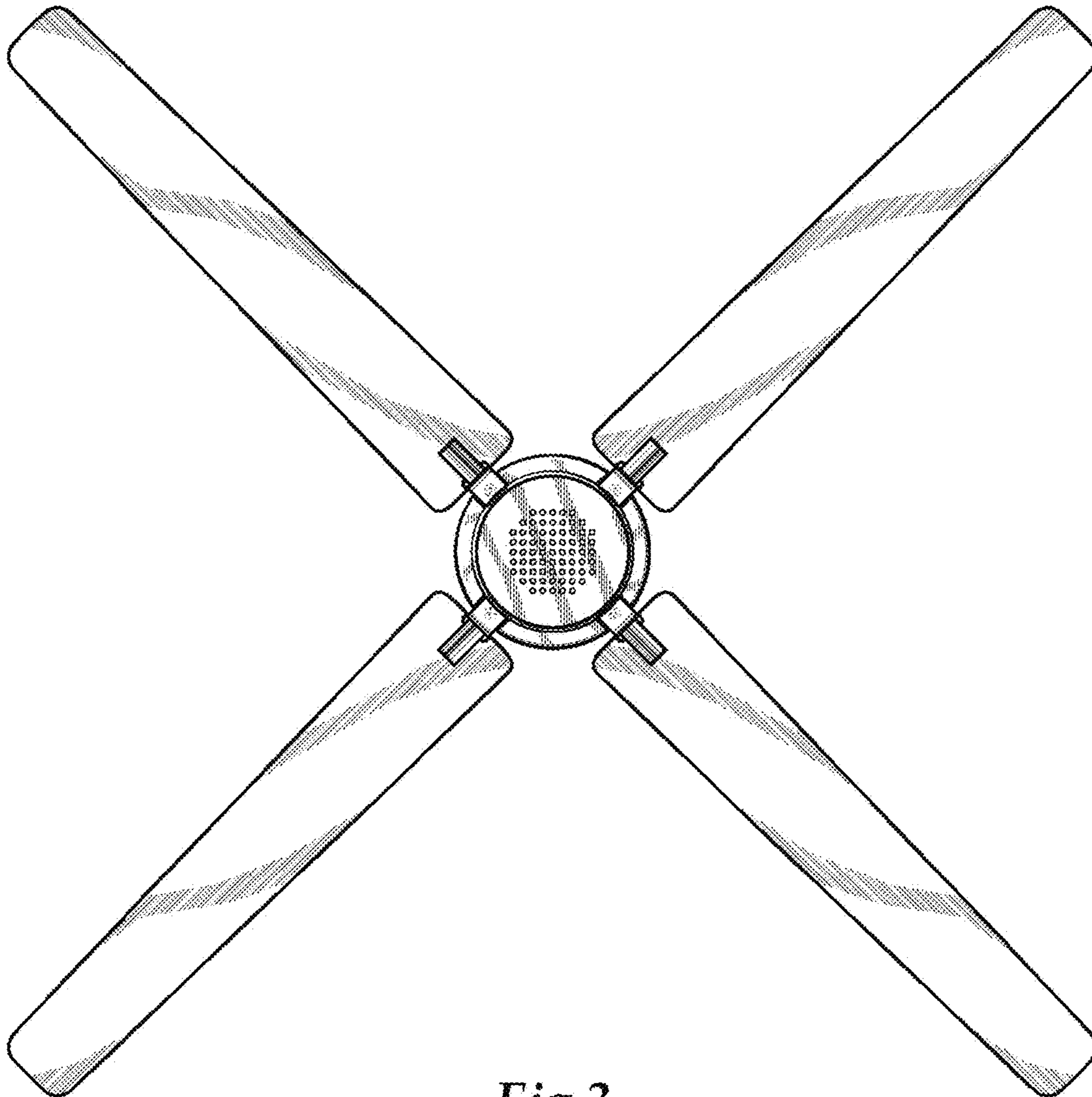


Fig.3

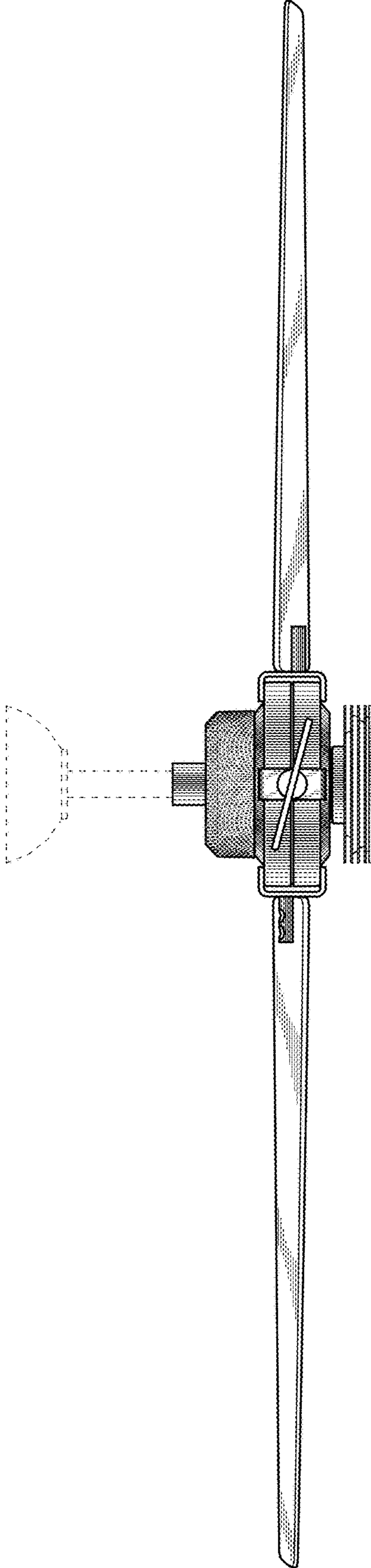


Fig. 4

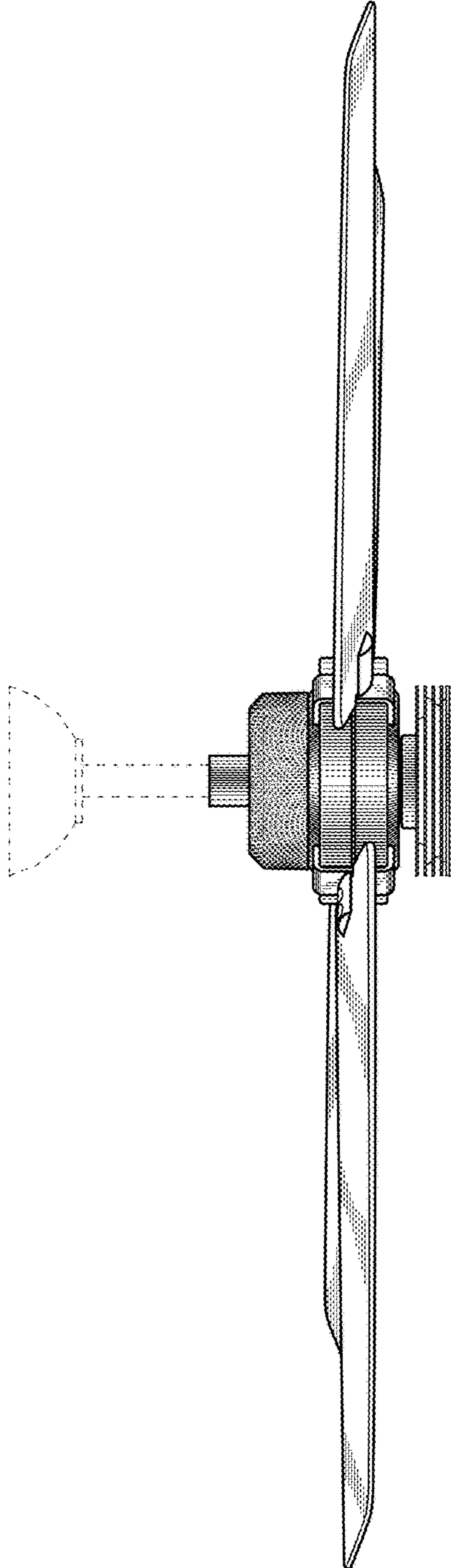


Fig. 5