



US00D814615S

(12) **United States Design Patent**
Ziemann et al.

(10) **Patent No.:** **US D814,615 S**
(45) **Date of Patent:** **** Apr. 3, 2018**

- (54) **SINK**
- (71) Applicant: **BLANCO GmbH + Co KG**,
Oberderdingen (DE)
- (72) Inventors: **Brigitte Ziemann**, Eppingen (DE);
Thomas Wassiliadis, Oberderdingen (DE)
- (73) Assignee: **BLANCO GmbH + Co KG**,
Oberderdingen (DE)
- (**) Term: **15 Years**
- (21) Appl. No.: **29/599,069**
- (22) Filed: **Mar. 30, 2017**
- (51) **LOC (11) Cl.** **23-02**
- (52) **U.S. Cl.**
USPC **D23/293.1**
- (58) **Field of Classification Search**
USPC D23/284–293.1, 303, 304, 308; D6/329,
D6/573, 657, 663–666, 671, 671.1, 671.4
CPC A47K 1/04; A47B 77/06; A47J 47/20
See application file for complete search history.

- D685,458 S * 7/2013 Eckhaus D23/308
- D705,404 S * 5/2014 Anzellini D23/293.1
- D767,738 S * 9/2016 Osterroth D23/284
- D793,541 S * 8/2017 Chen D23/290
- D796,648 S * 9/2017 Francesconi D23/284

OTHER PUBLICATIONS

Blanco Ikon Sink reference found online [Oct. 4, 2017]—http://www.blanco-germany.com/en_us/en_us/sinks/new_sinks/blanco_ikon/blanco_ikon.html.*

* cited by examiner

Primary Examiner — Robert M. Spear
Assistant Examiner — John A Voytek
(74) *Attorney, Agent, or Firm* — Hanley, Flight and
Zimmerman, LLC

(57) **CLAIM**

The ornamental design for a “sink,” as shown and described.

DESCRIPTION

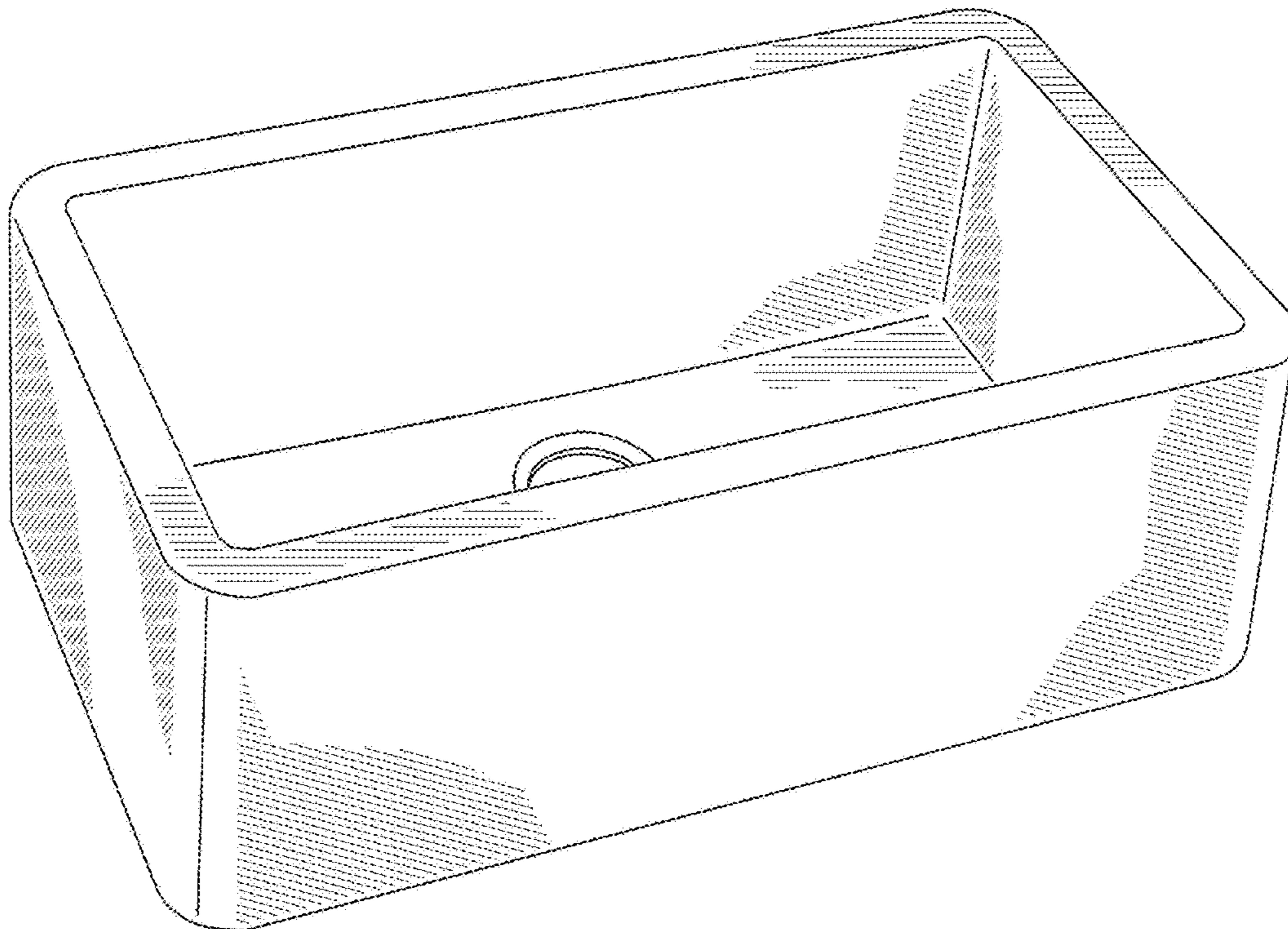
FIG. 1 is a perspective view of a sink.
FIG. 2 is a top plan view of the sink of FIG. 1.
FIG. 3 is a bottom plan view of the sink of FIG. 1.
FIG. 4 is a front view of the sink of FIG. 1.
FIG. 5 is a rear view of the sink of FIG. 1.
FIG. 6 is a left side view of the sink of FIG. 1; and,
FIG. 7 is a right side view of the sink of FIG. 1.

1 Claim, 7 Drawing Sheets

(56) **References Cited**

U.S. PATENT DOCUMENTS

- D494,665 S * 8/2004 Herbeau D23/293.1
- D620,091 S * 7/2010 Eckhaus D23/308



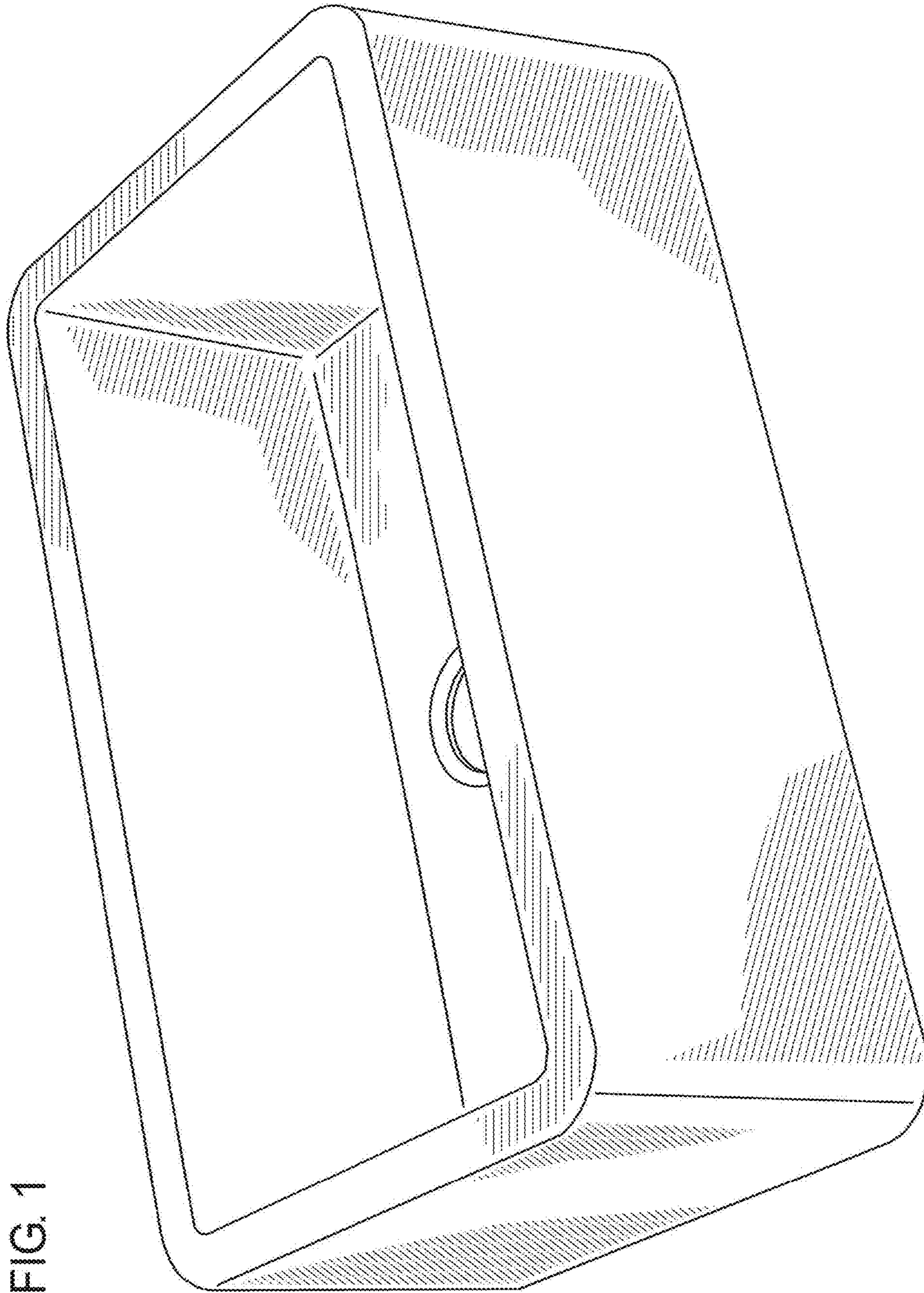


FIG. 1

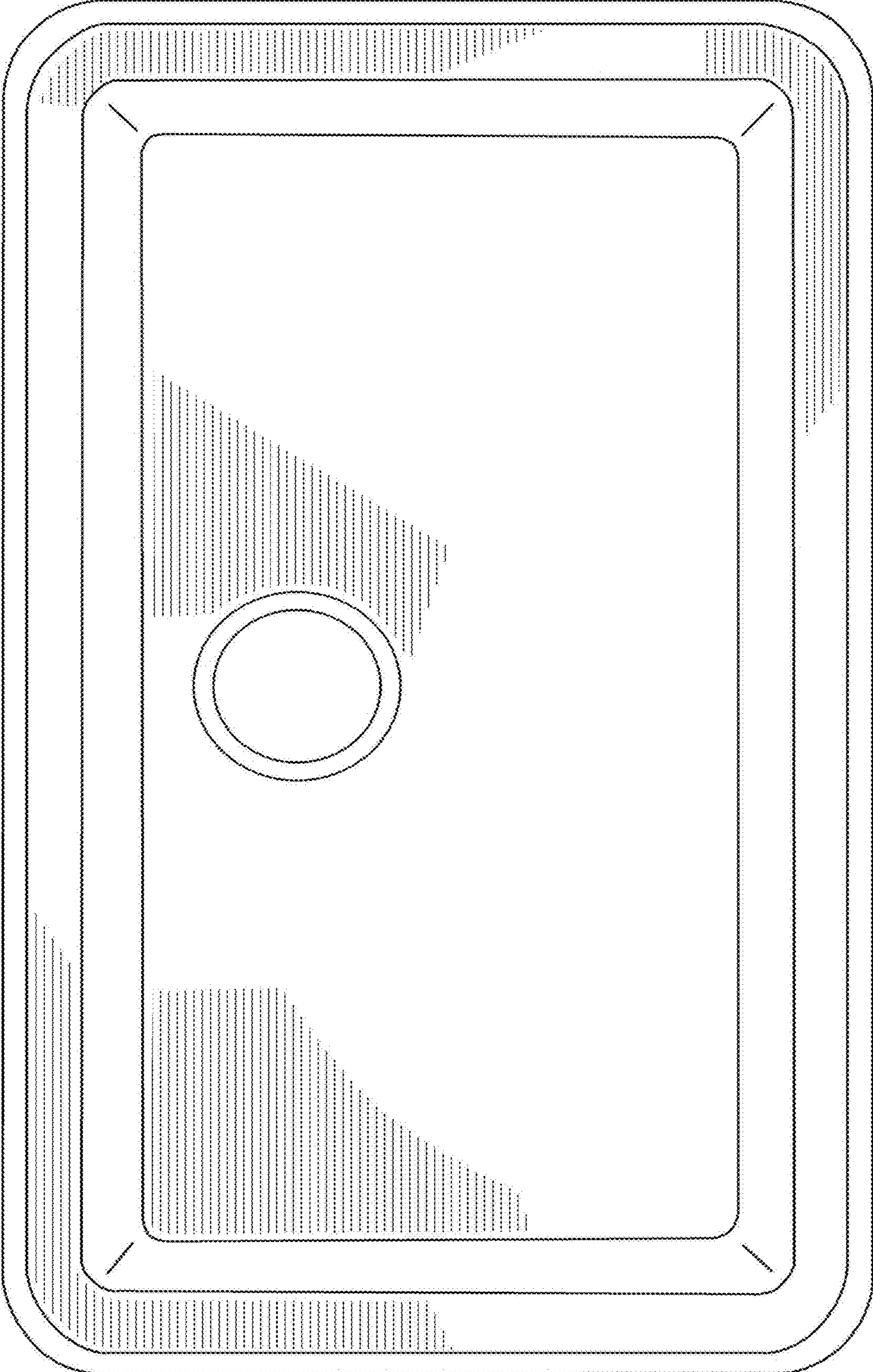


FIG. 2

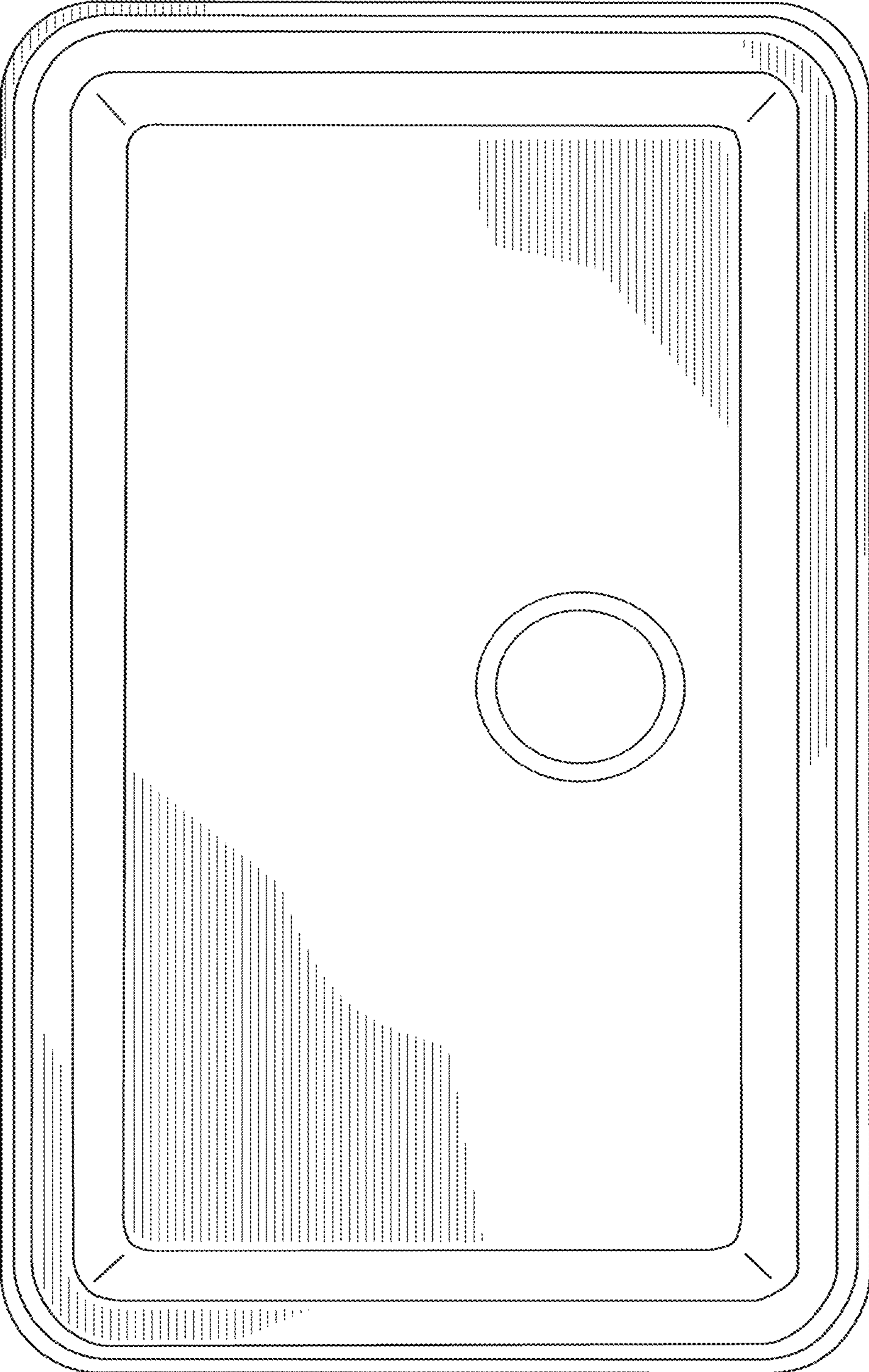


FIG. 3

FIG. 4

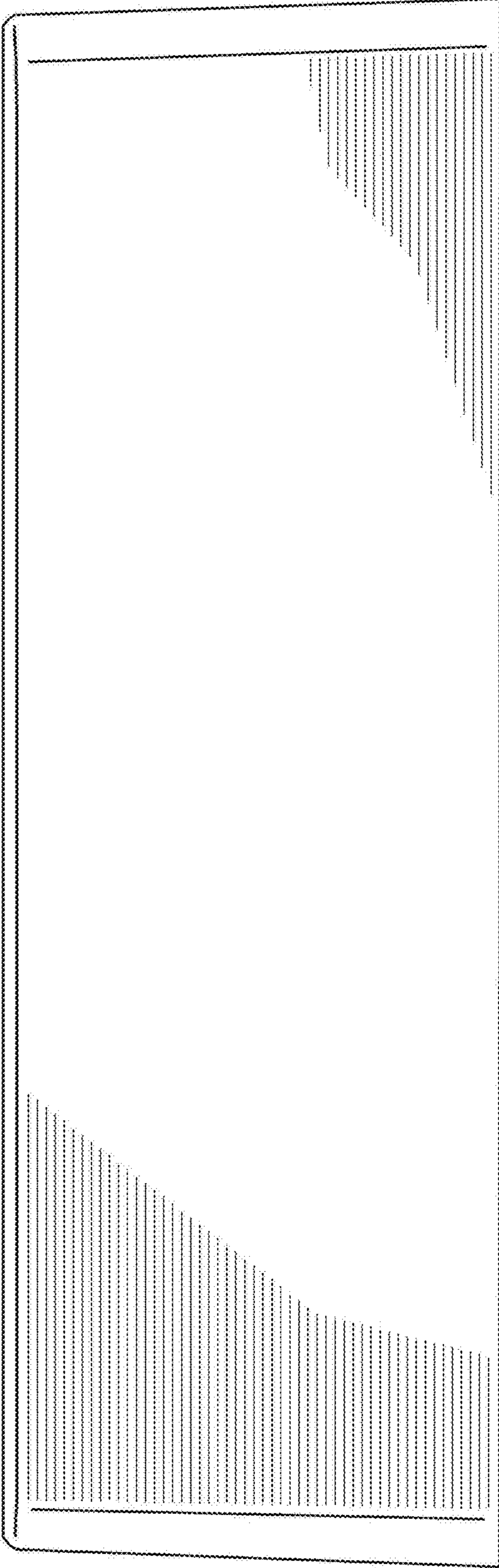


FIG. 5

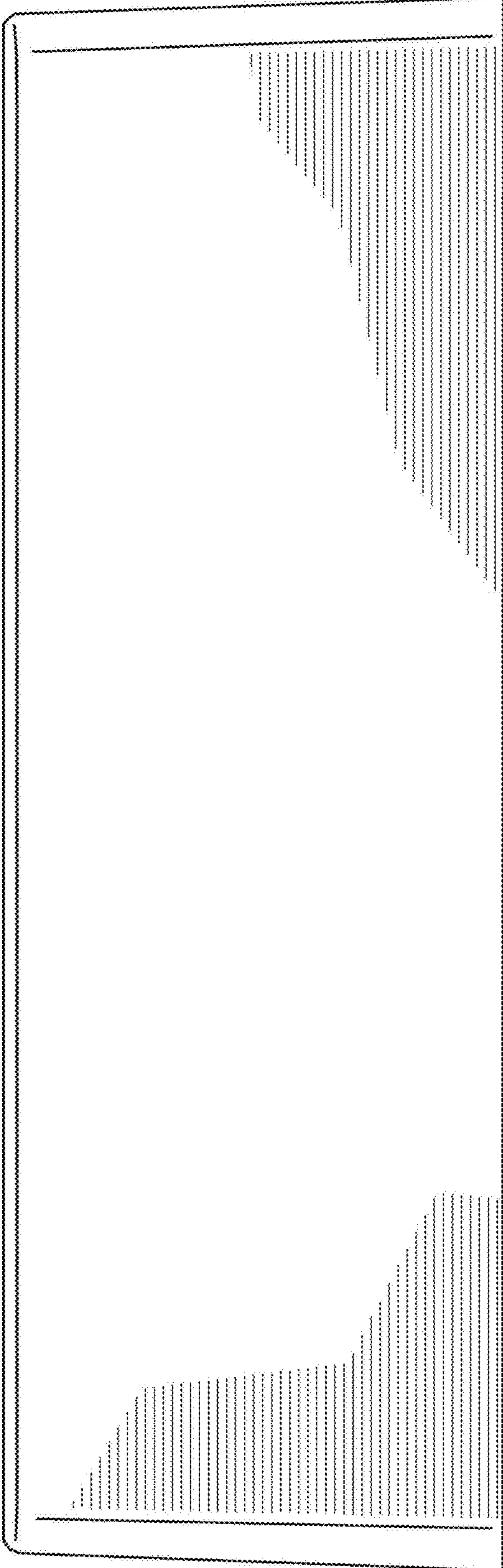


FIG. 6

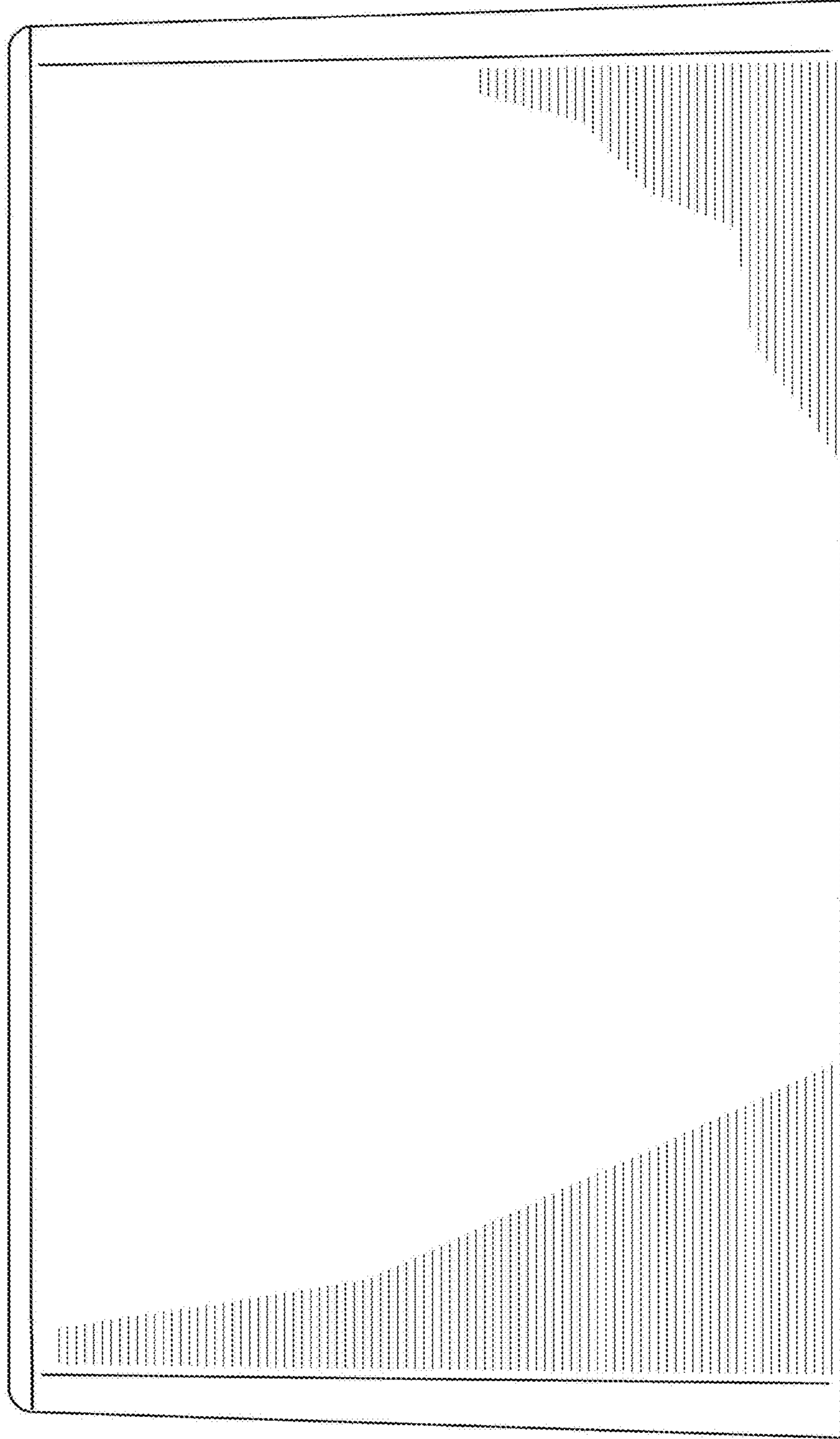


FIG. 7

