



US00D814614S

(12) **United States Design Patent**
Moller et al.

(10) **Patent No.:** **US D814,614 S**
(45) **Date of Patent:** **** Apr. 3, 2018**

- (54) **SINK**
- (71) Applicant: **Kohler Co.**, Kohler, WI (US)
- (72) Inventors: **Adam M. Moller**, Sheboygan, WI (US); **Roque M. Corpuz, Jr.**, Sheboygan, WI (US); **Eden Taylor**, Milwaukee, WI (US); **Dongha Lee**, Sheboygan, WI (US)
- (73) Assignee: **KOHLER CO.**, Kohler, WI (US)
- (**) Term: **15 Years**
- (21) Appl. No.: **29/595,283**
- (22) Filed: **Feb. 27, 2017**
- (51) **LOC (11) Cl.** **23-02**
- (52) **U.S. Cl.**
USPC **D23/292**
- (58) **Field of Classification Search**
USPC D23/284–293.1, 303, 308; D6/329, 573, D6/657, 663–666, 671, 671.1, 671.4
CPC A47K 1/04; A47B 77/06; A47J 47/20
See application file for complete search history.

(56) **References Cited**

U.S. PATENT DOCUMENTS

D60,396 S *	2/1922	Budlong	D23/292
D332,829 S *	1/1993	Belfor	4/646
D433,743 S *	11/2000	Marshall	D23/292
D488,212 S *	4/2004	Garza	D23/292
D542,389 S *	5/2007	Kakahana	D23/292
D563,534 S	3/2008	Kergoet		
D588,247 S	3/2009	Hanna et al.		
D588,681 S *	3/2009	Cahill	D23/292
D730,499 S *	5/2015	Sclafani	A45D 19/08 D23/289

OTHER PUBLICATIONS

Kohler Fixture 2016 Price Book, pp. 255-263 and 271-311.

* cited by examiner

Primary Examiner — Robert M. Spear
Assistant Examiner — John A Voytek
(74) *Attorney, Agent, or Firm* — Foley & Lardner LLP

(57) **CLAIM**

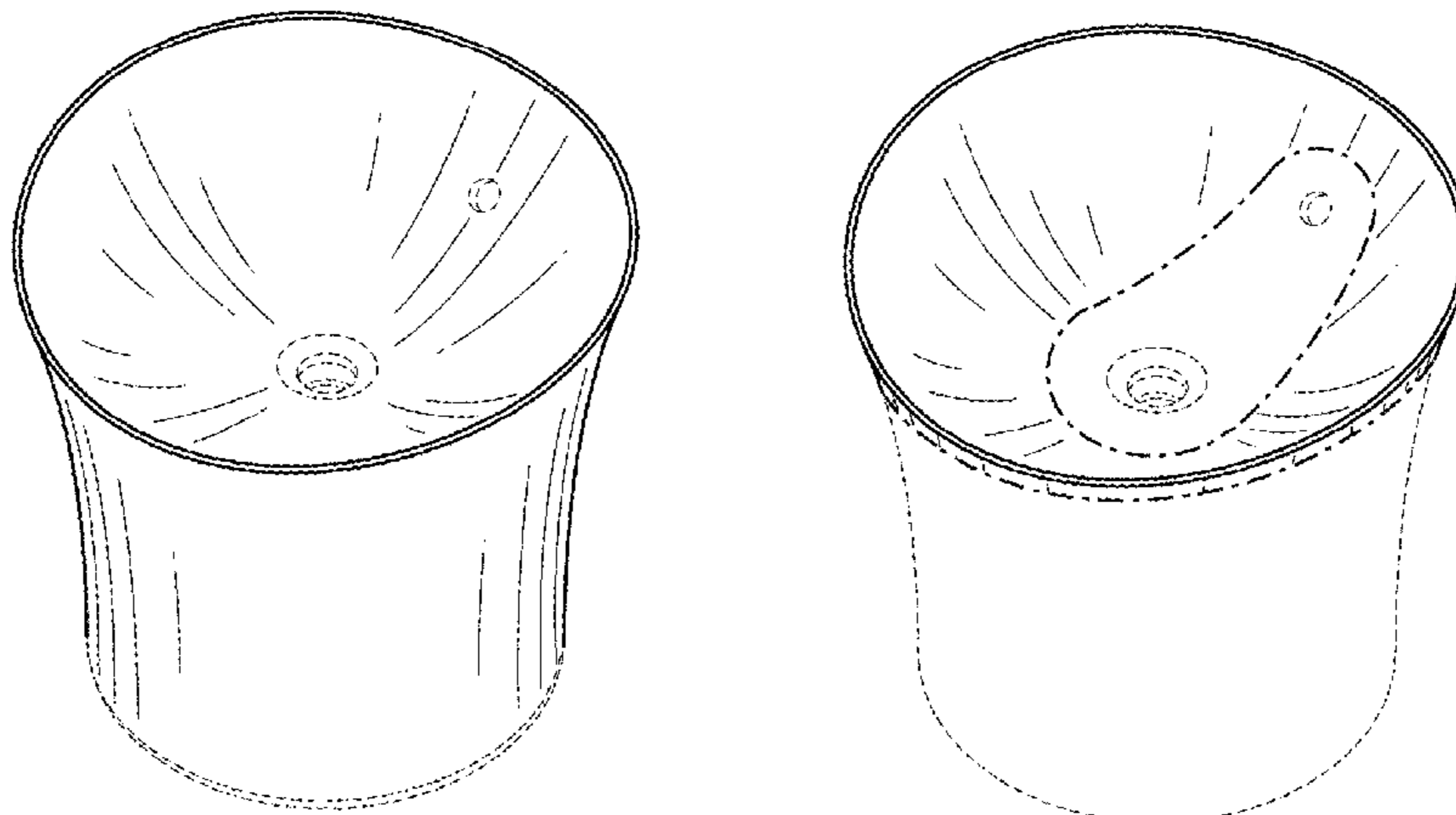
We claim the ornamental design for a sink, as shown and described.

DESCRIPTION

FIG. 1 is a perspective view of an embodiment of the claimed design;
 FIG. 2 is a front view of the design shown in FIG. 1;
 FIG. 3 is a top view of the design shown in FIG. 1;
 FIG. 4 is a side view of the design shown in FIG. 1;
 FIG. 5 is a cross-sectional view of the design shown in FIG. 1 taken along line 5-5 in FIG. 3;
 FIG. 6 is a cross-sectional view of the design shown in FIG. 1 taken along line 6-6 in FIG. 3;
 FIG. 7 is a perspective view of another embodiment of the claimed design;
 FIG. 8 is a front view of the design shown in FIG. 7;
 FIG. 9 is a top view of the design shown in FIG. 7;
 FIG. 10 is a side view of the design shown in FIG. 7;
 FIG. 11 is a cross-sectional view of the design shown in FIG. 7 taken along line 11-11 in FIG. 9; and,
 FIG. 12 is a cross-sectional view of the design shown in FIG. 7 taken along line 12-12 in FIG. 9.

The ornamental design which is claimed is shown in solid lines in the drawings. The broken lines in the drawings are for illustrative purposes only and form no part of the claimed design. Broken lines formed by equal length dashes (i.e., dash-dash) show unclaimed portions of the design. Broken lines formed of unequal length dashes (i.e., dash-dot) show unclaimed boundaries between claimed and unclaimed portions of the design.

1 Claim, 6 Drawing Sheets



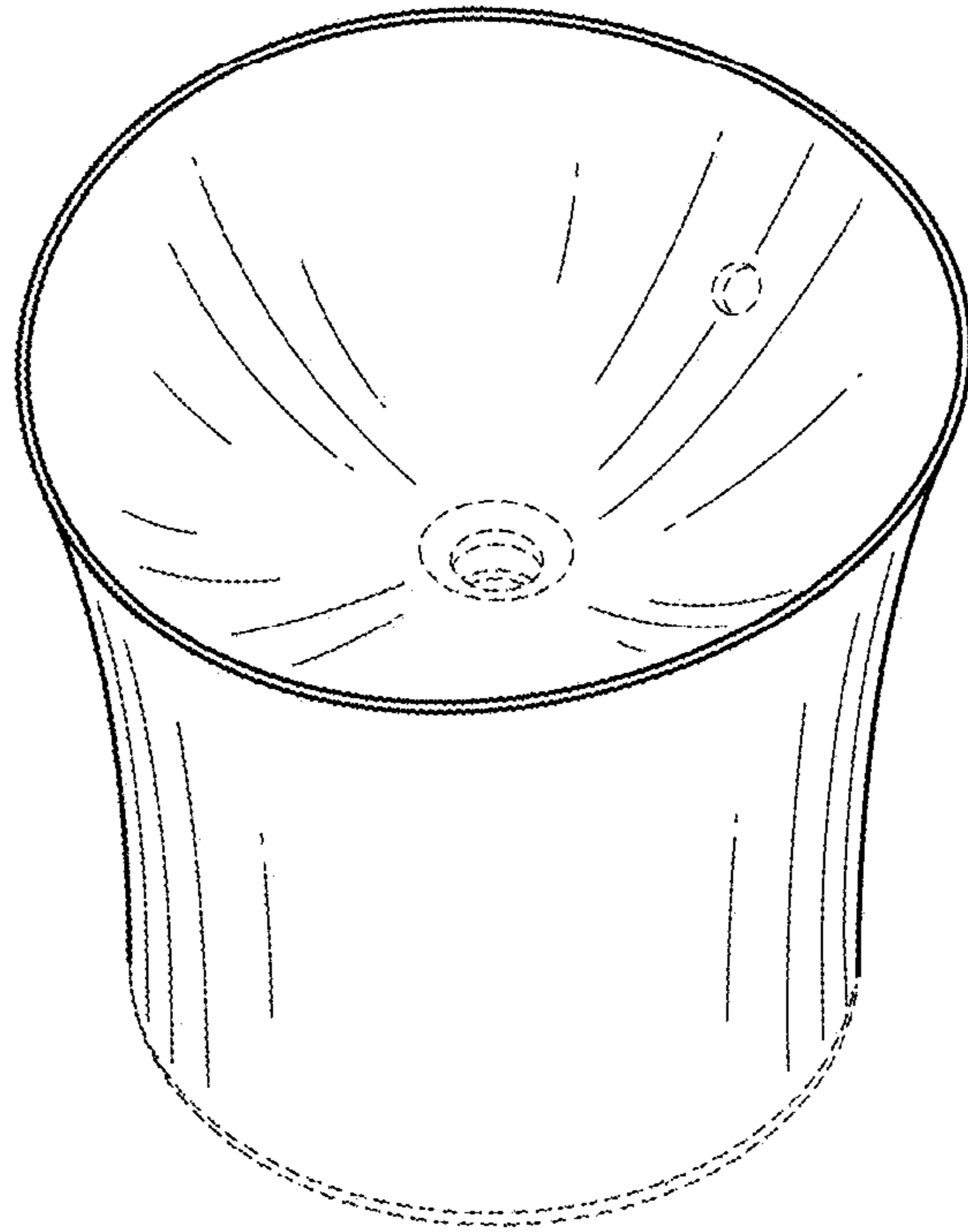


FIG. 1

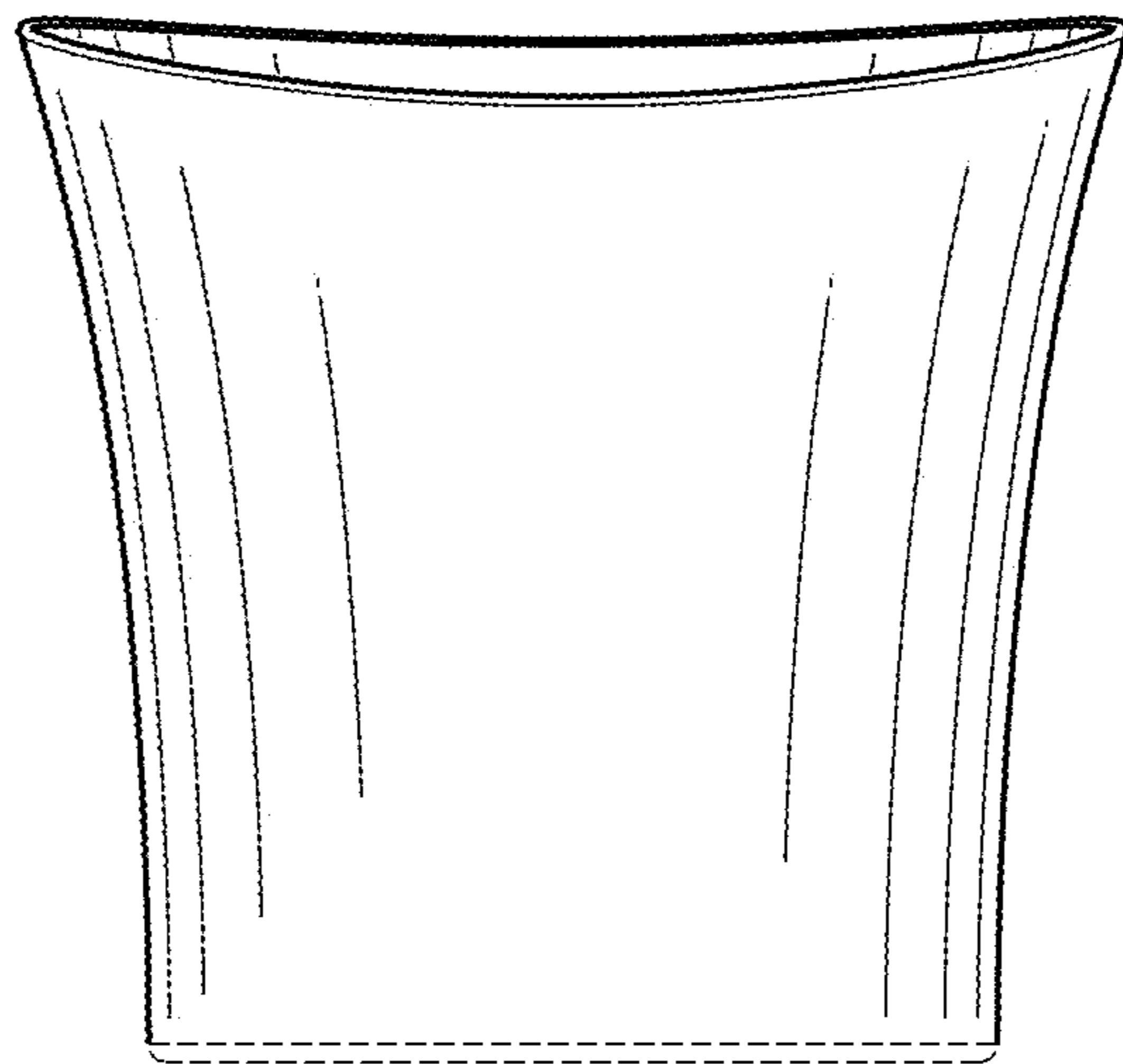


FIG. 2

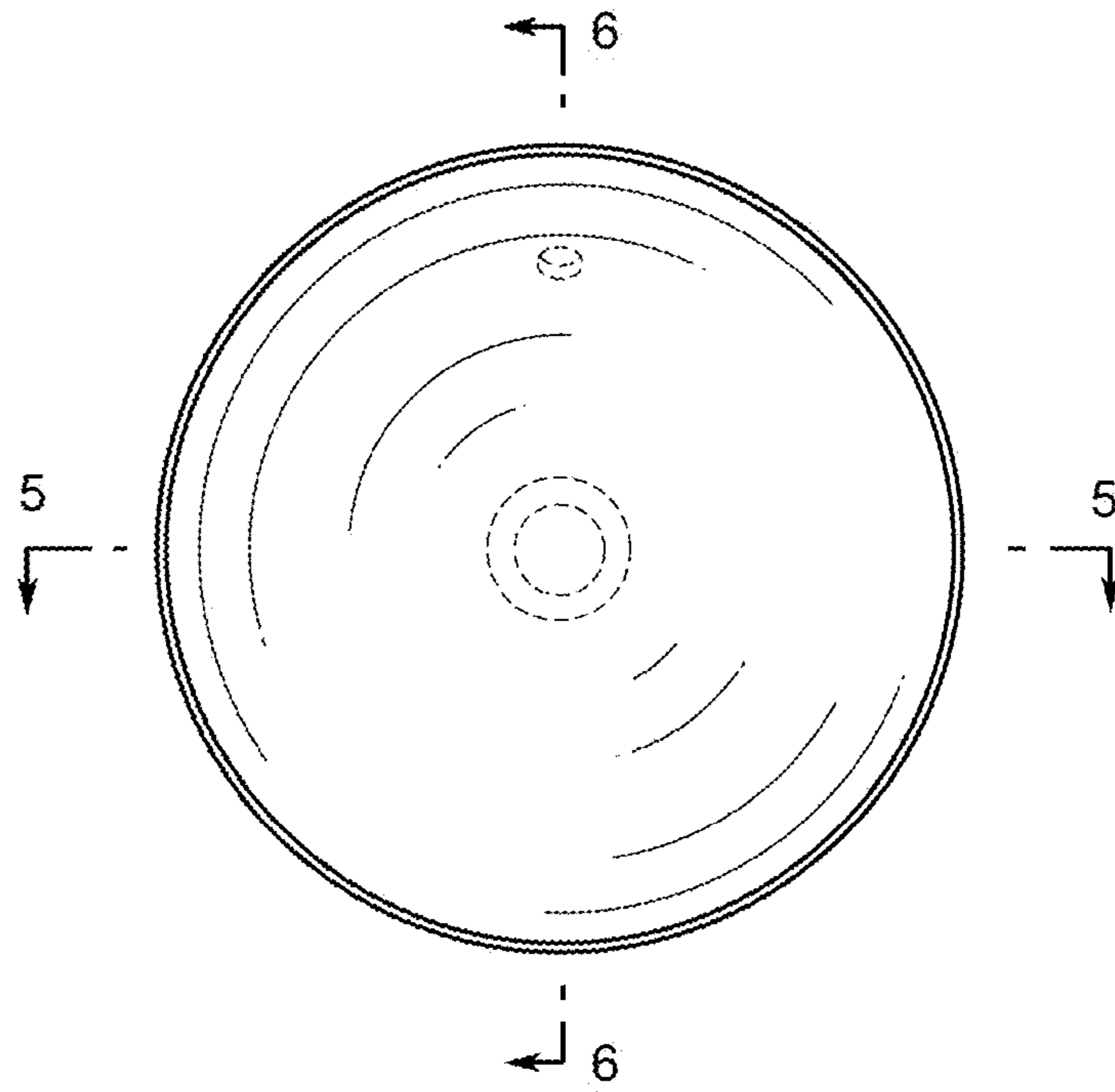


FIG. 3

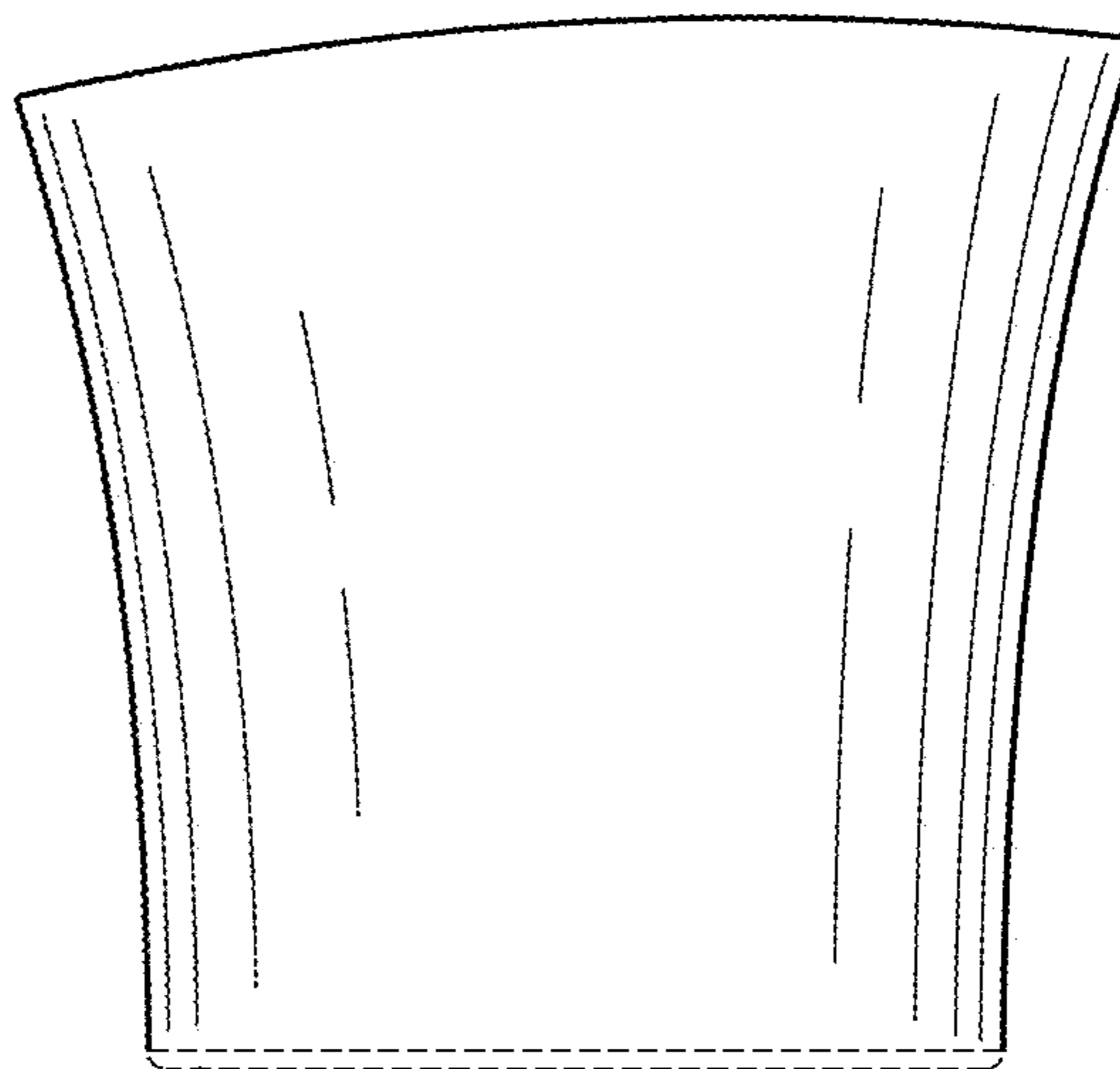


FIG. 4

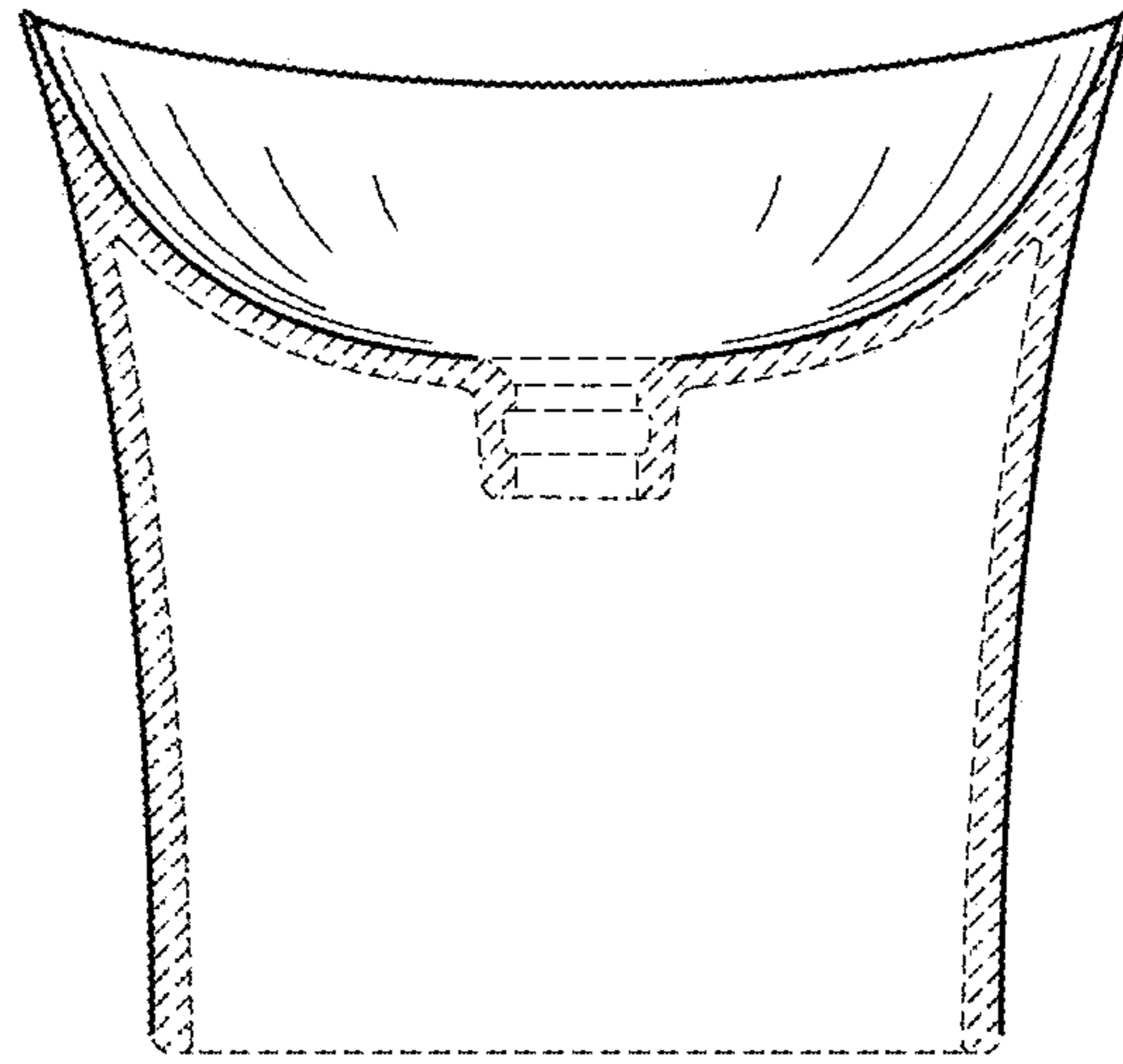


FIG. 5

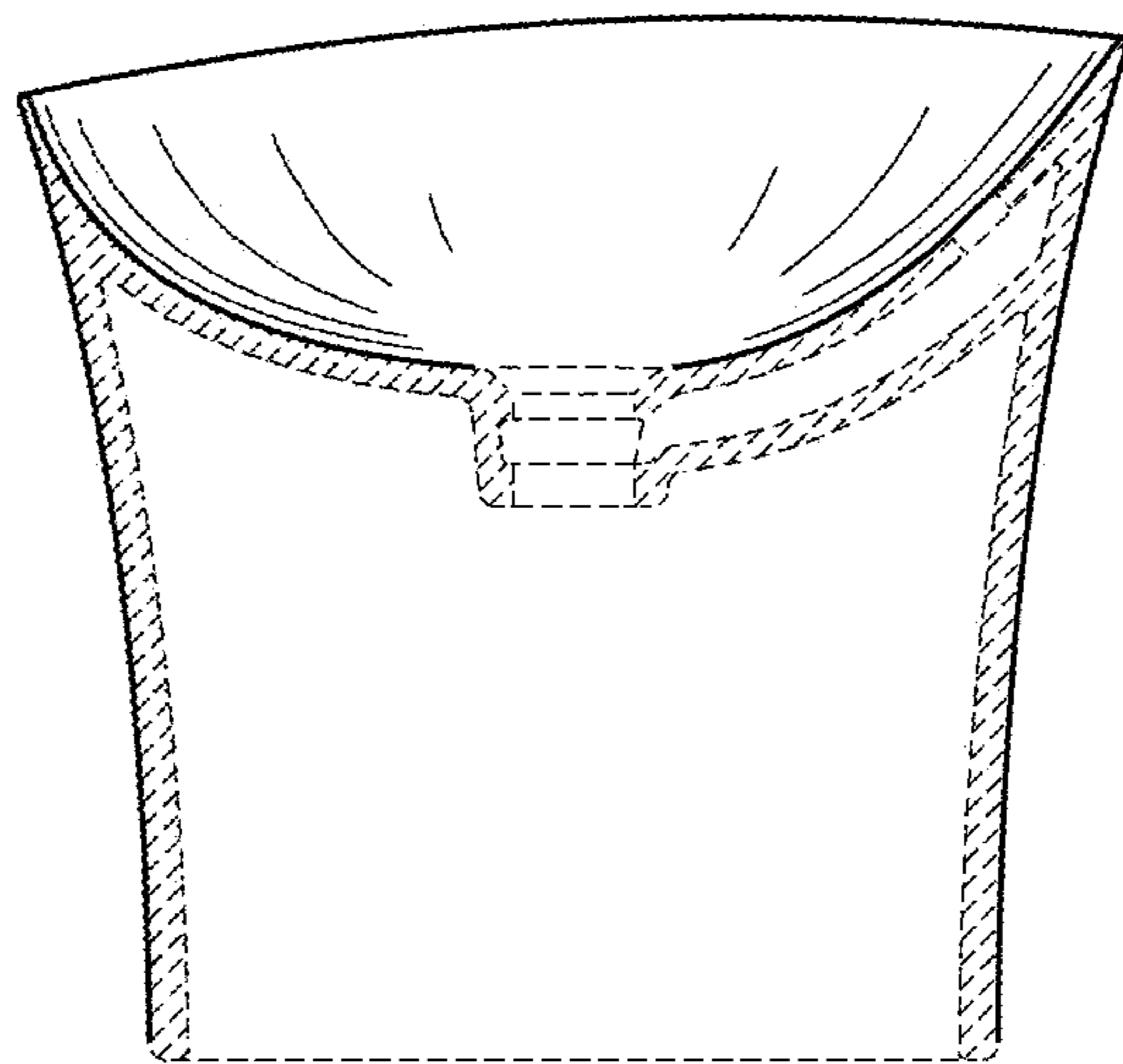


FIG. 6

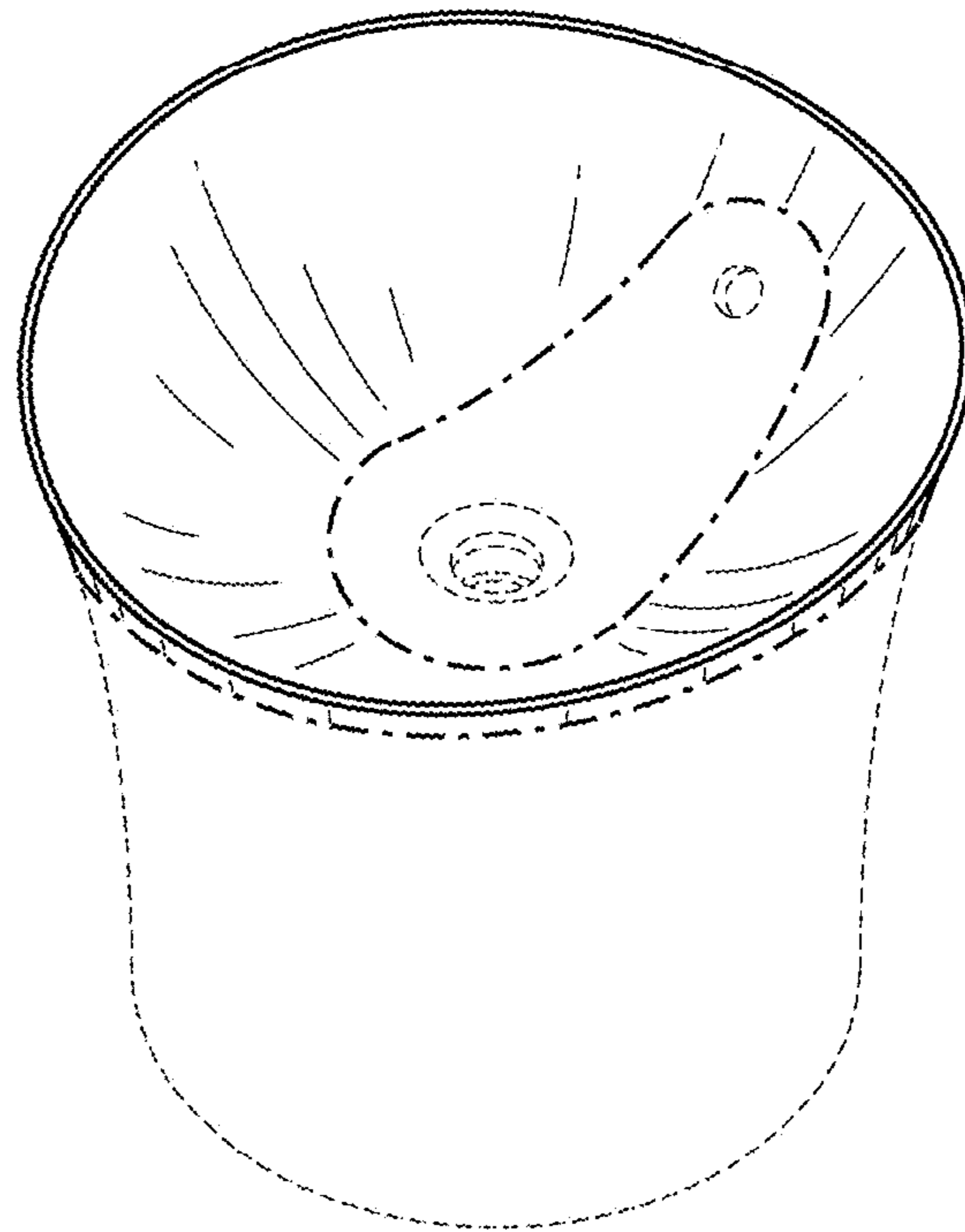


FIG. 7

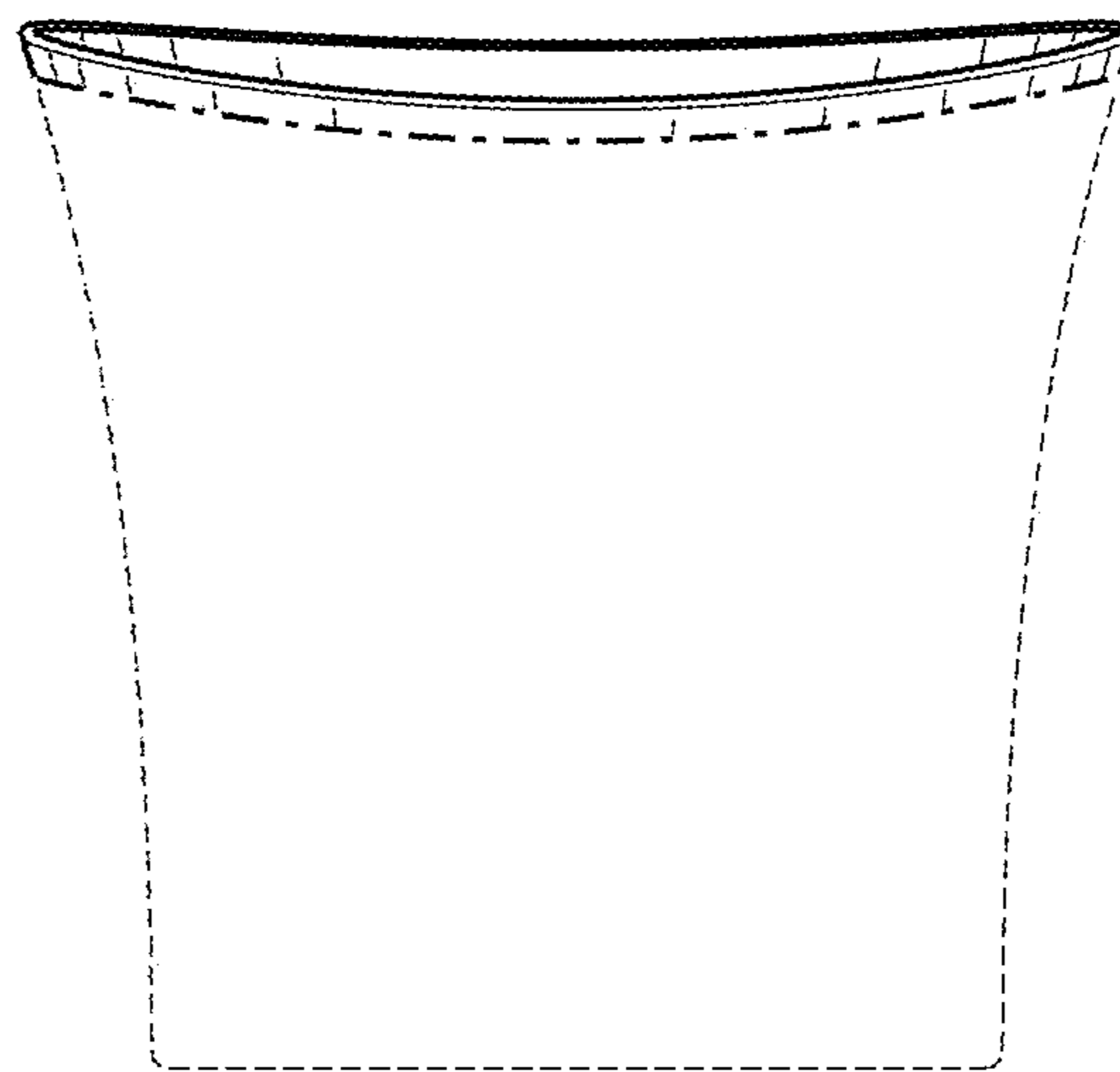


FIG. 8

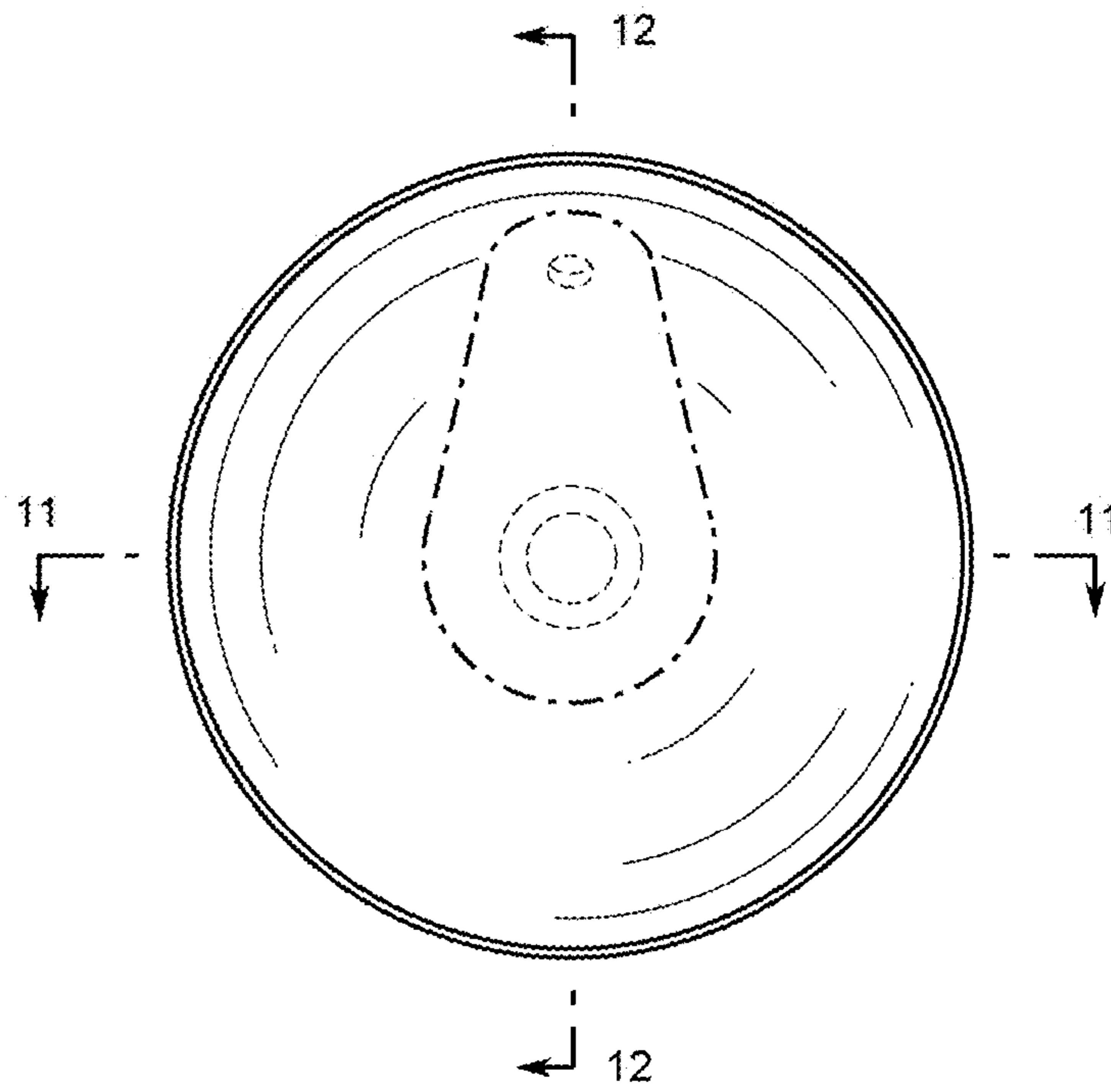


FIG. 9

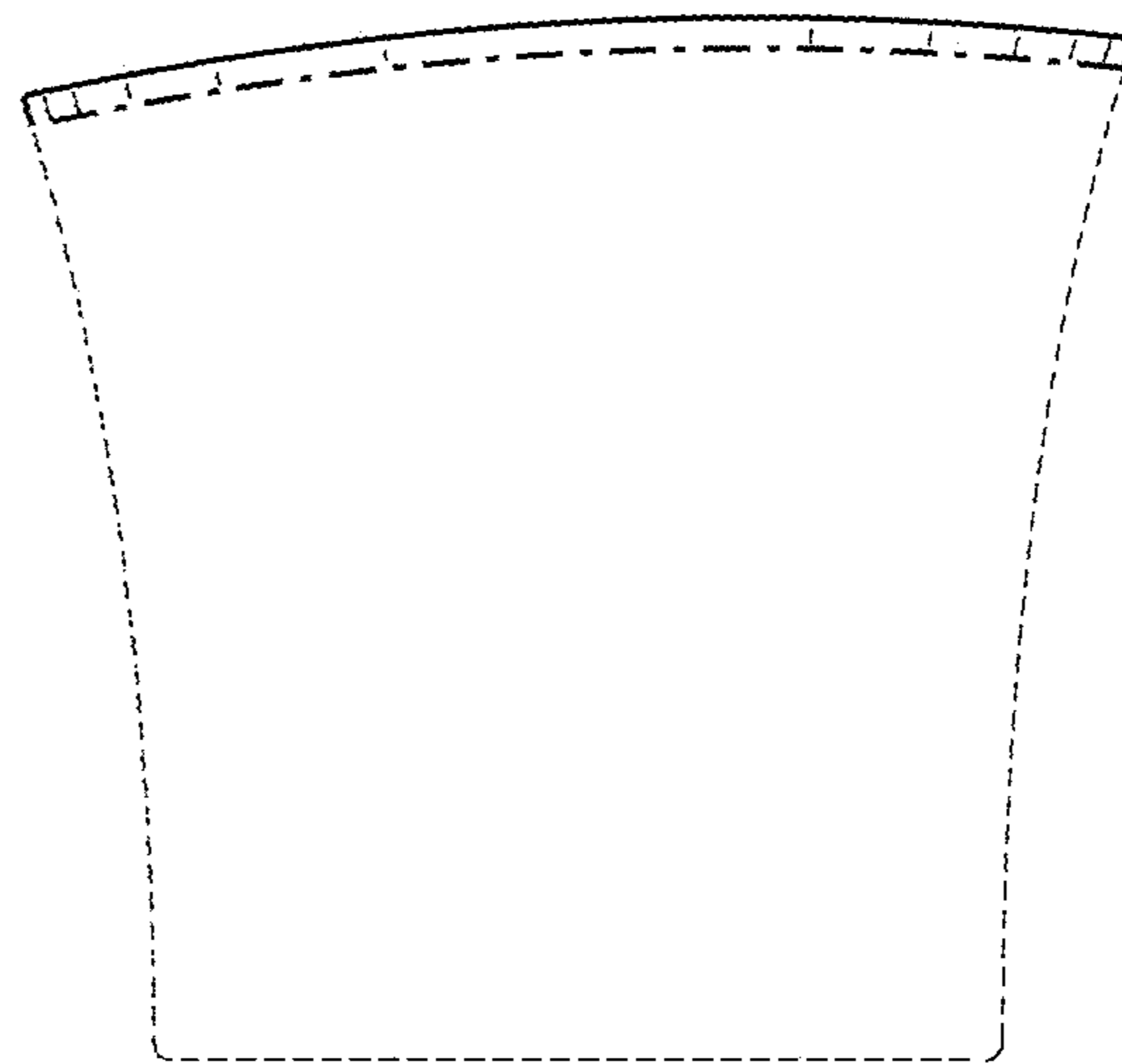


FIG. 10

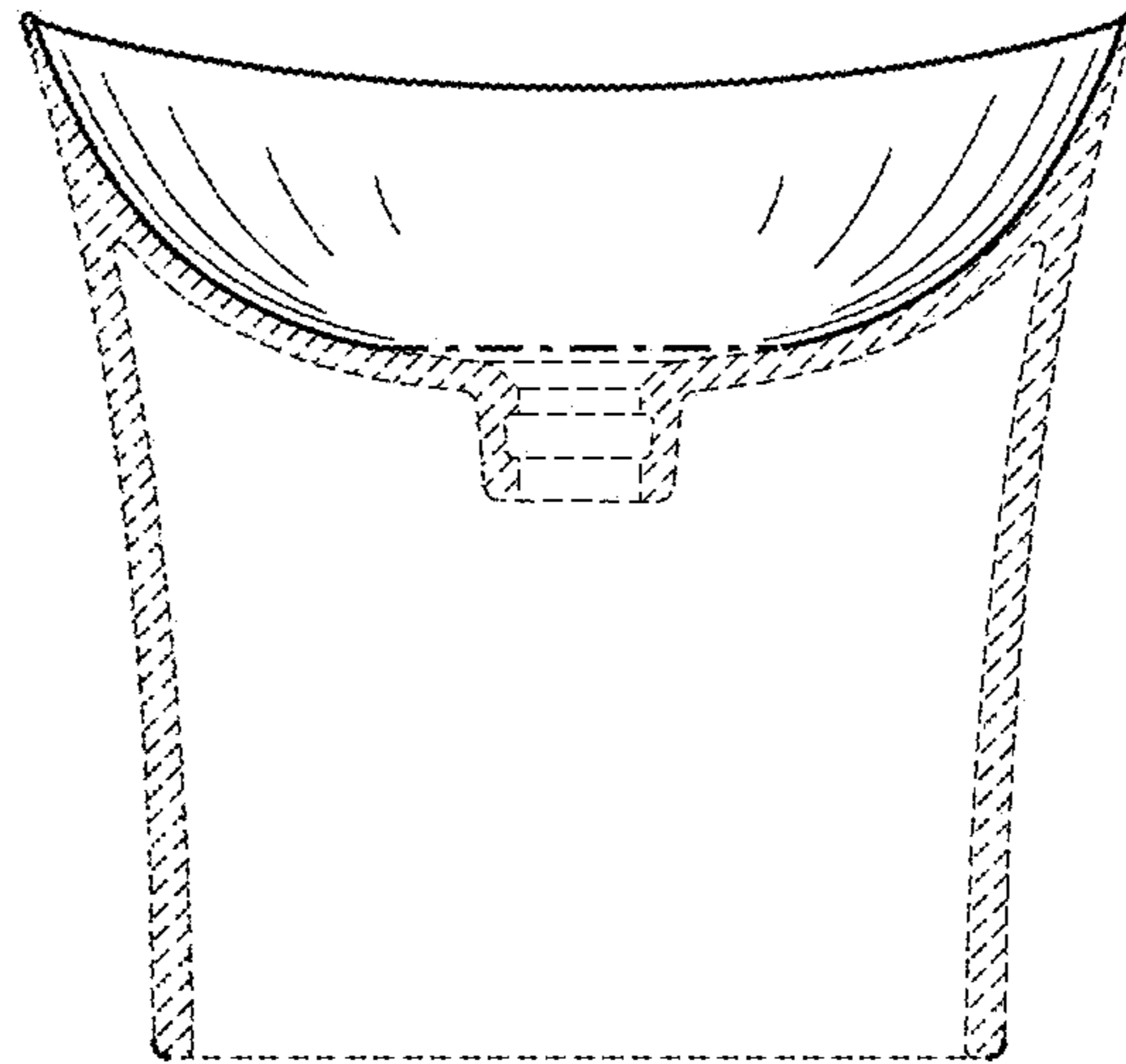


FIG. 11

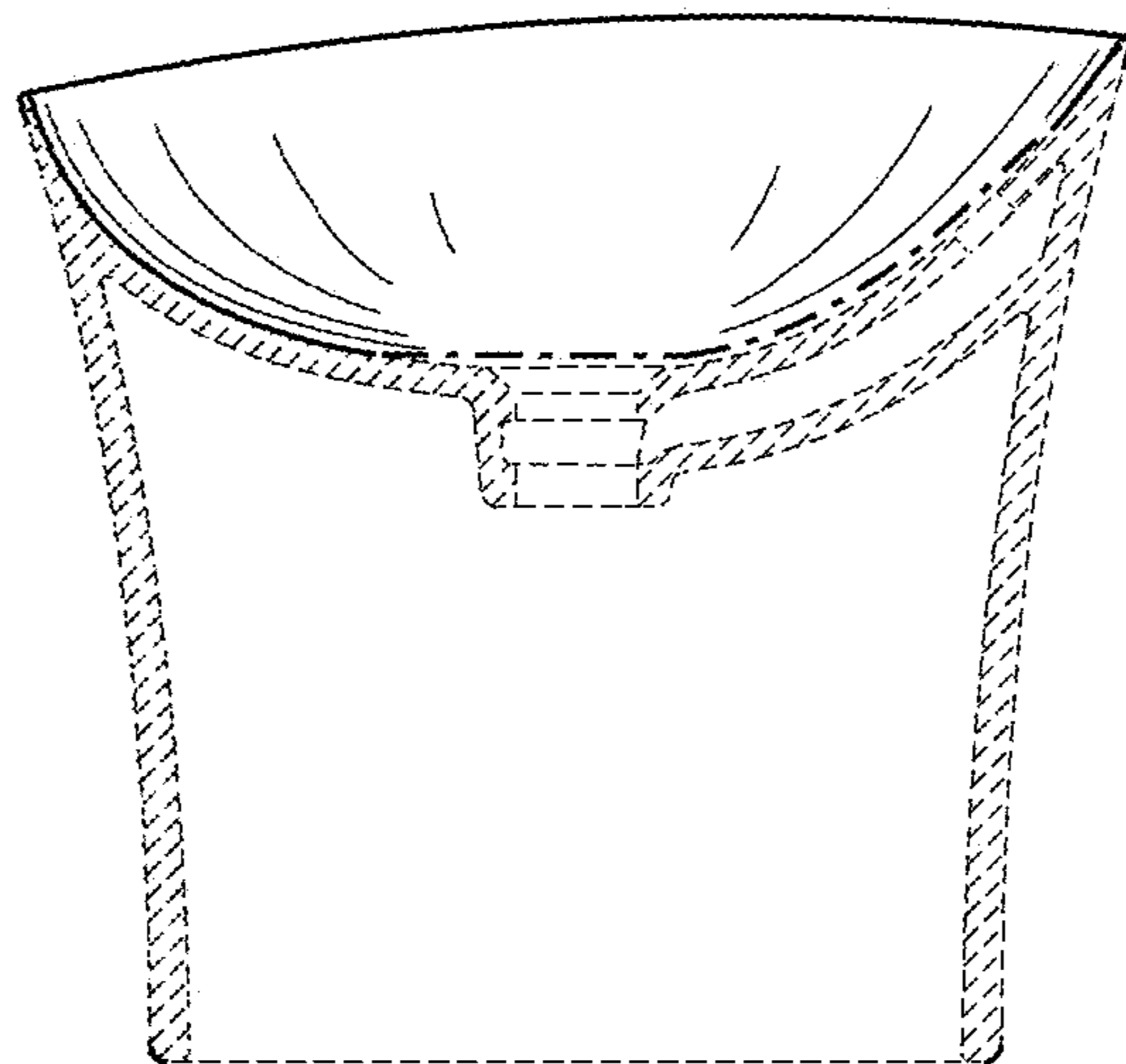


FIG. 12