



US00D814612S

(12) **United States Design Patent**
Vishwakarma et al.

(10) **Patent No.:** **US D814,612 S**
(45) **Date of Patent:** **** Apr. 3, 2018**

(54) **TRUCK DRAIN ADAPTER**

(71) Applicant: **Eaton Corporation**, Cleveland, OH (US)

(72) Inventors: **Ashok Kalappa Vishwakarma**, Gulbarga (IN); **Ravindra Sonawane**, Pune (IN)

(73) Assignee: **Eaton Corporation**, Cleveland, OH (US)

(**) Term: **15 Years**

(21) Appl. No.: **29/582,083**

(22) Filed: **Oct. 25, 2016**

(51) **LOC (11) Cl.** **23-01**

(52) **U.S. Cl.**
USPC **D23/263**

(58) **Field of Classification Search**

USPC D23/259, 262–266, 268, 261; 285/31, 285/24, 27, 121.1, 123.3, 148.22, 347, 285/199, 179, 179.1, 180–182, 16, 55, 285/119, 176, 127; 137/12, 47, 220, 804; 138/37, 103, 109, 113, 120, 140, 155; D8/349, 382, 394–397; 4/679
CPC . F16L 33/23; F16L 33/28; F16L 33/00; F16L 33/01; F16L 41/00; F16L 41/06; F16L 55/18; F16L 17/00; F16L 23/00;

(Continued)

(56) **References Cited**

U.S. PATENT DOCUMENTS

1,977,177 A * 10/1934 De Flores Luis B01J 19/02 116/201
2,756,076 A * 7/1956 Rodriguez, Jr. E03C 1/122 285/179

(Continued)

Primary Examiner — Eric L Goodman
Assistant Examiner — Amy C Wierenga

(74) *Attorney, Agent, or Firm* — Benesch Friedlander Coplan & Aronoff LLP

(57) **CLAIM**

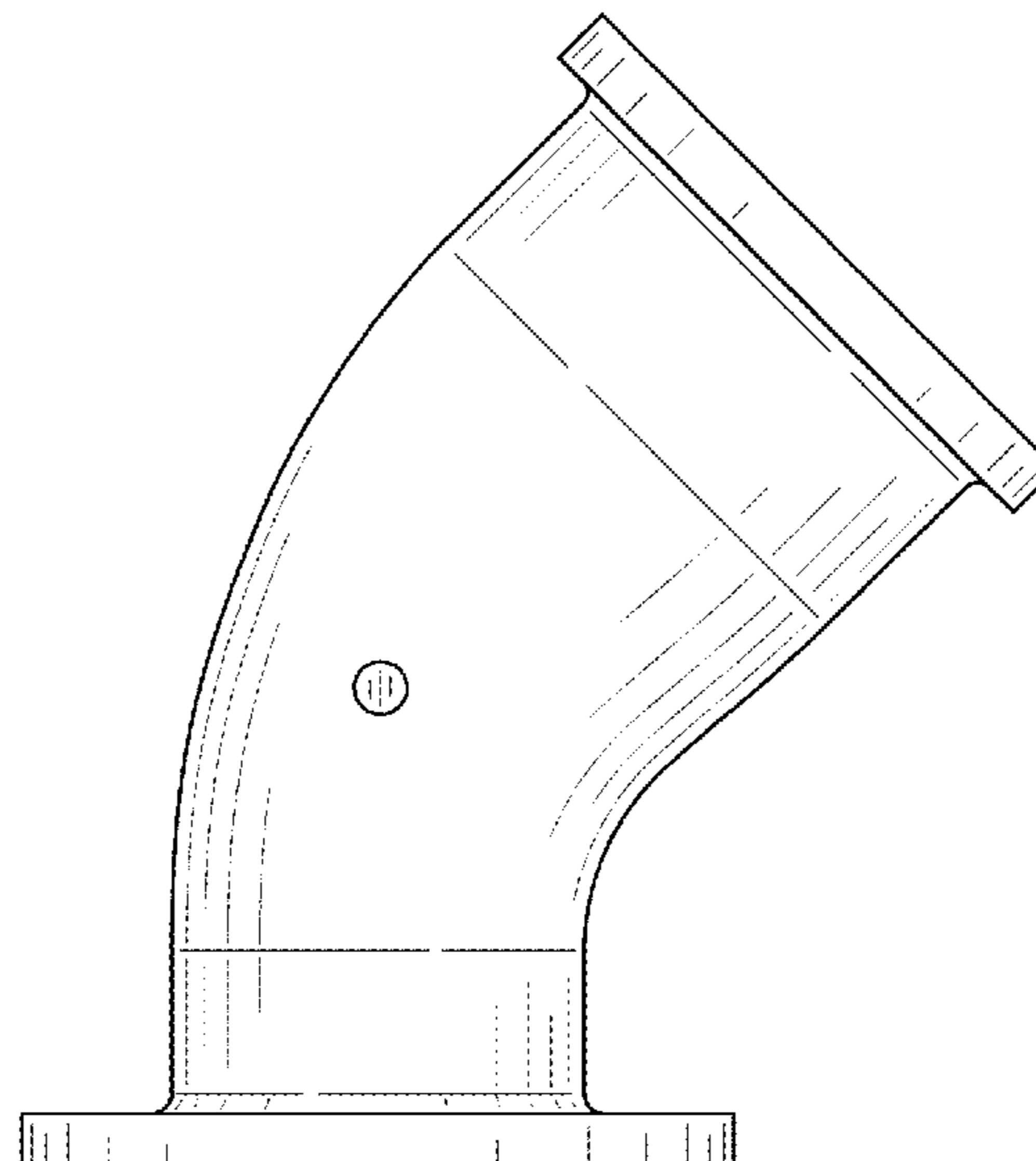
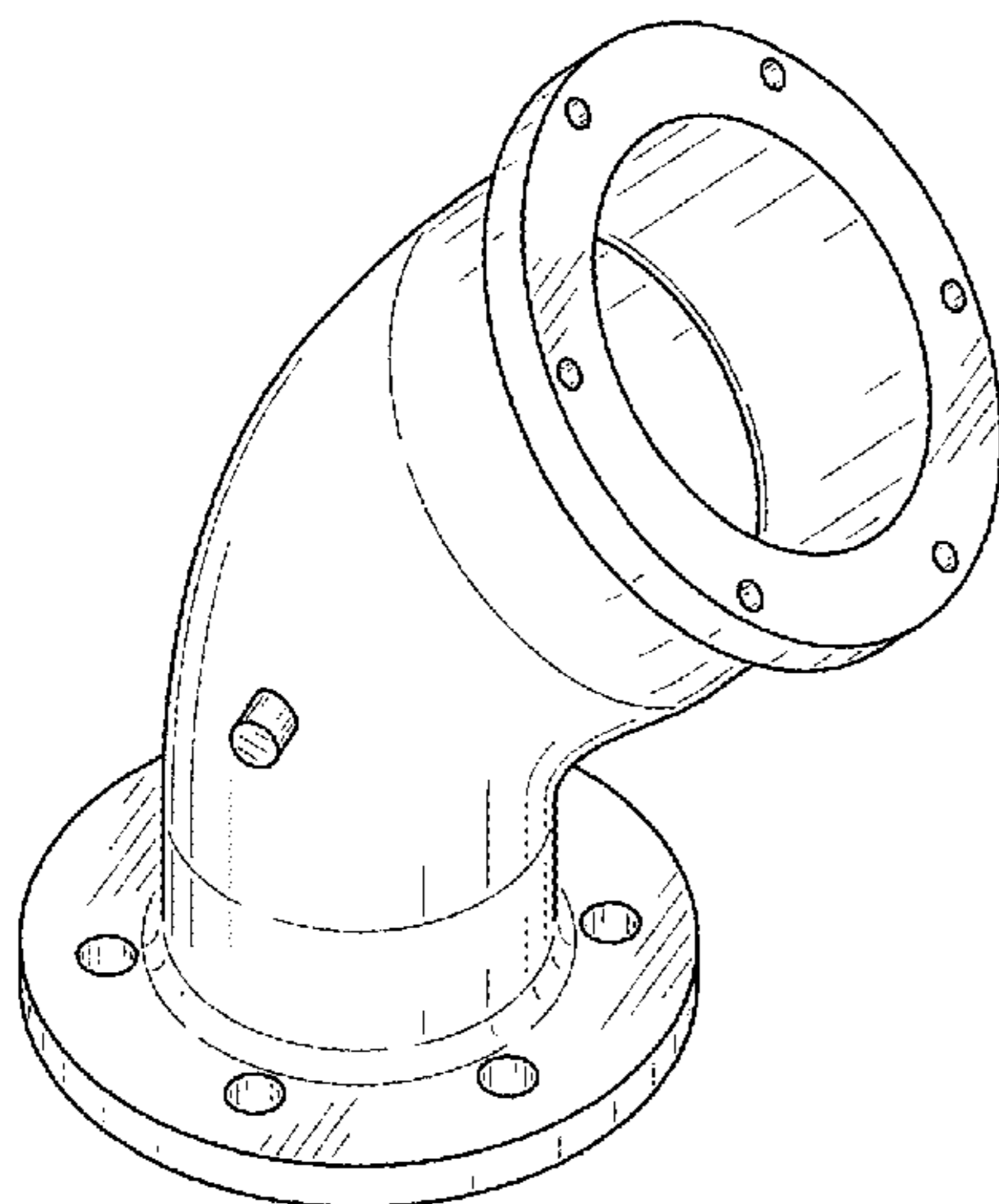
What is claimed is the ornamental design for a truck drain adapter, as shown and described.

DESCRIPTION

FIG. 1 is a perspective view of a first embodiment of a truck drain adapter showing a new design; FIG. 2 is a front view of the truck drain adapter of FIG. 1; FIG. 3 is a rear view of the truck drain adapter of FIG. 1; FIG. 4 is a right side view of the truck drain adapter of FIG. 1; FIG. 5 is a left side view of the truck drain adapter of FIG. 1; FIG. 6 is a top view of the truck drain adapter of FIG. 1; FIG. 7 is a bottom view of the truck drain adapter of FIG. 1; FIG. 8 is a perspective view of a second embodiment of a truck drain adapter showing a new design; FIG. 9 is a front view of the truck drain adapter of FIG. 8; FIG. 10 is a rear view of the truck drain adapter of FIG. 8; FIG. 11 is a right side view of the truck drain adapter of FIG. 8; FIG. 12 is a left side view of the truck drain adapter of FIG. 8; FIG. 13 is a top view of the truck drain adapter of FIG. 8; FIG. 14 is a bottom view of the truck drain adapter of FIG. 8; FIG. 15 is another perspective view of the truck drain adapter of FIG. 8; and, FIG. 16 is an exploded view of the truck drain adapter of FIG. 15.

The broken lines shown in the drawings illustrate portions of the truck drain adapter that form no part of the claim.

1 Claim, 10 Drawing Sheets



US D814,612 S

Page 2

(58) **Field of Classification Search**

CPC . F16L 21/02; F16L 21/06; F16L 43/00; F16L 2101/30; E03C 1/26; E03C 1/28; E03C 1/262; E03C 1/20; E03C 1/122; E03C 1/232; F16J 15/22; F16J 1/005

See application file for complete search history.

(56) **References Cited**

U.S. PATENT DOCUMENTS

D229,409 S * 11/1973 Luckenbill et al. D23/263
4,299,416 A * 11/1981 Grosch F16L 27/0824
285/16
4,387,914 A * 6/1983 Paulson F16L 57/00
138/39
4,865,353 A * 9/1989 Osborne F16L 43/00
285/148.22
5,301,984 A * 4/1994 Farris F16L 43/00
285/179

D355,958 S * 2/1995 Teskey D23/263
5,887,908 A * 3/1999 White B65D 88/34
285/147.1
D480,787 S * 10/2003 Wilk, Jr. D23/263
D481,447 S * 10/2003 Dole D23/263
D482,103 S * 11/2003 Snyder, Sr. D23/263
D574,931 S * 8/2008 Hughes D23/262
D627,863 S * 11/2010 Ball D23/262
D675,296 S * 1/2013 Mitchell D23/263
D676,941 S * 2/2013 Kluss D23/262
D704,811 S * 5/2014 Yu D23/262
D705,402 S * 5/2014 Yu D23/262
D722,140 S * 2/2015 Sisk D23/262
2003/0127854 A1 * 7/2003 Lehnhardt F16L 21/06
285/181
2008/0148477 A1 * 6/2008 Shafik E03C 1/122
4/679
2012/0074687 A1 * 3/2012 Mitchell F16L 15/00
285/179

* cited by examiner

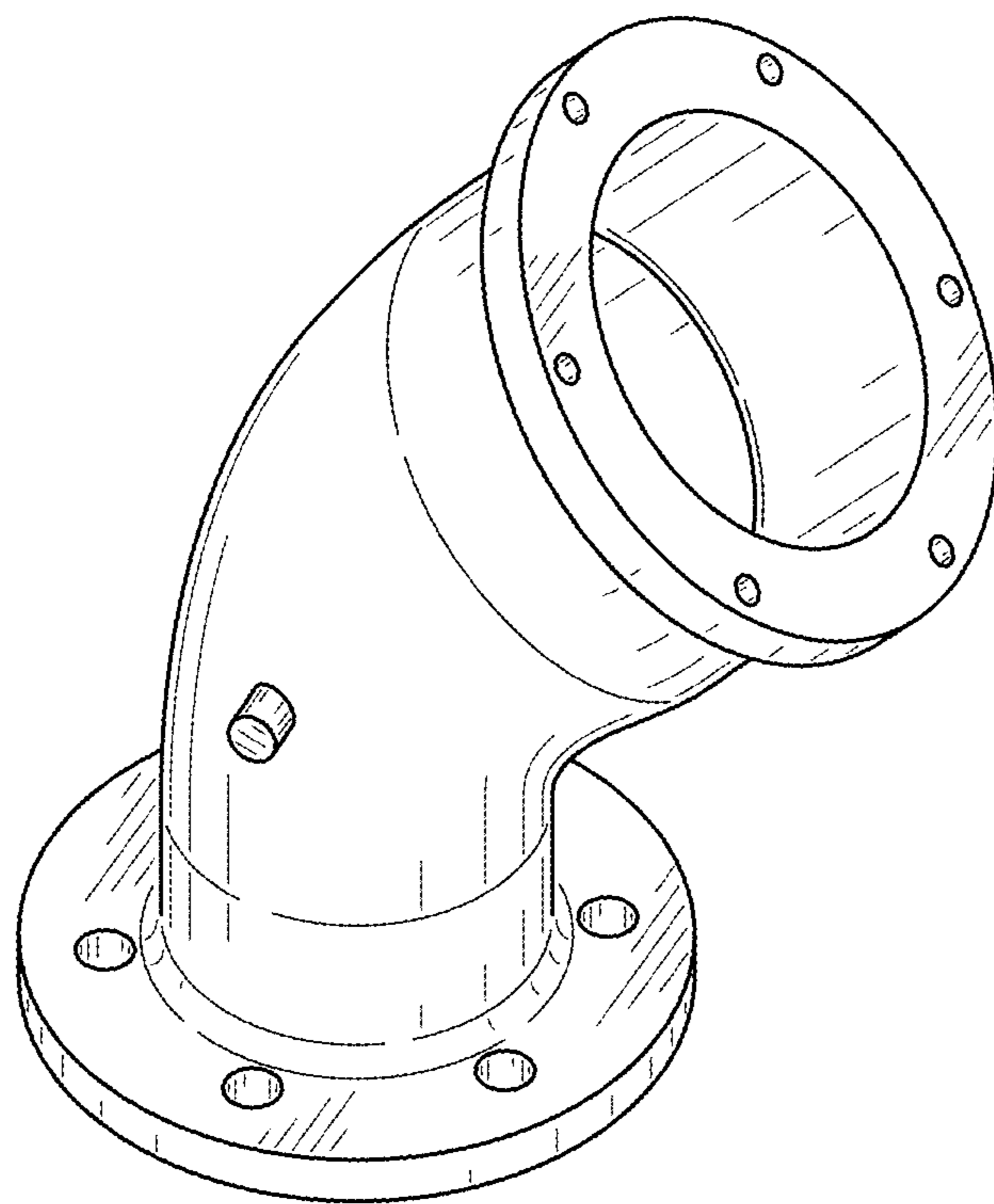


FIG. 1

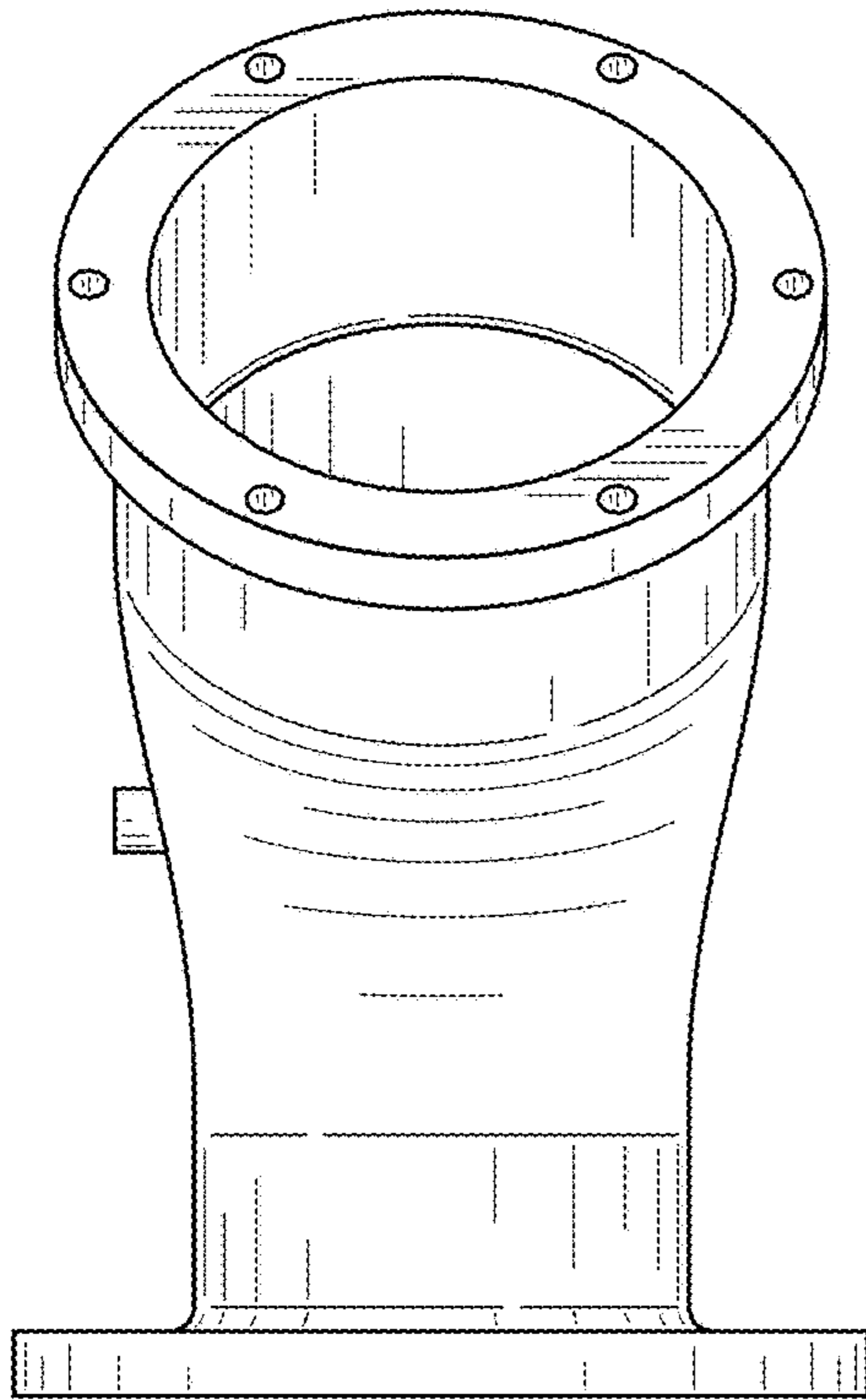


FIG. 2

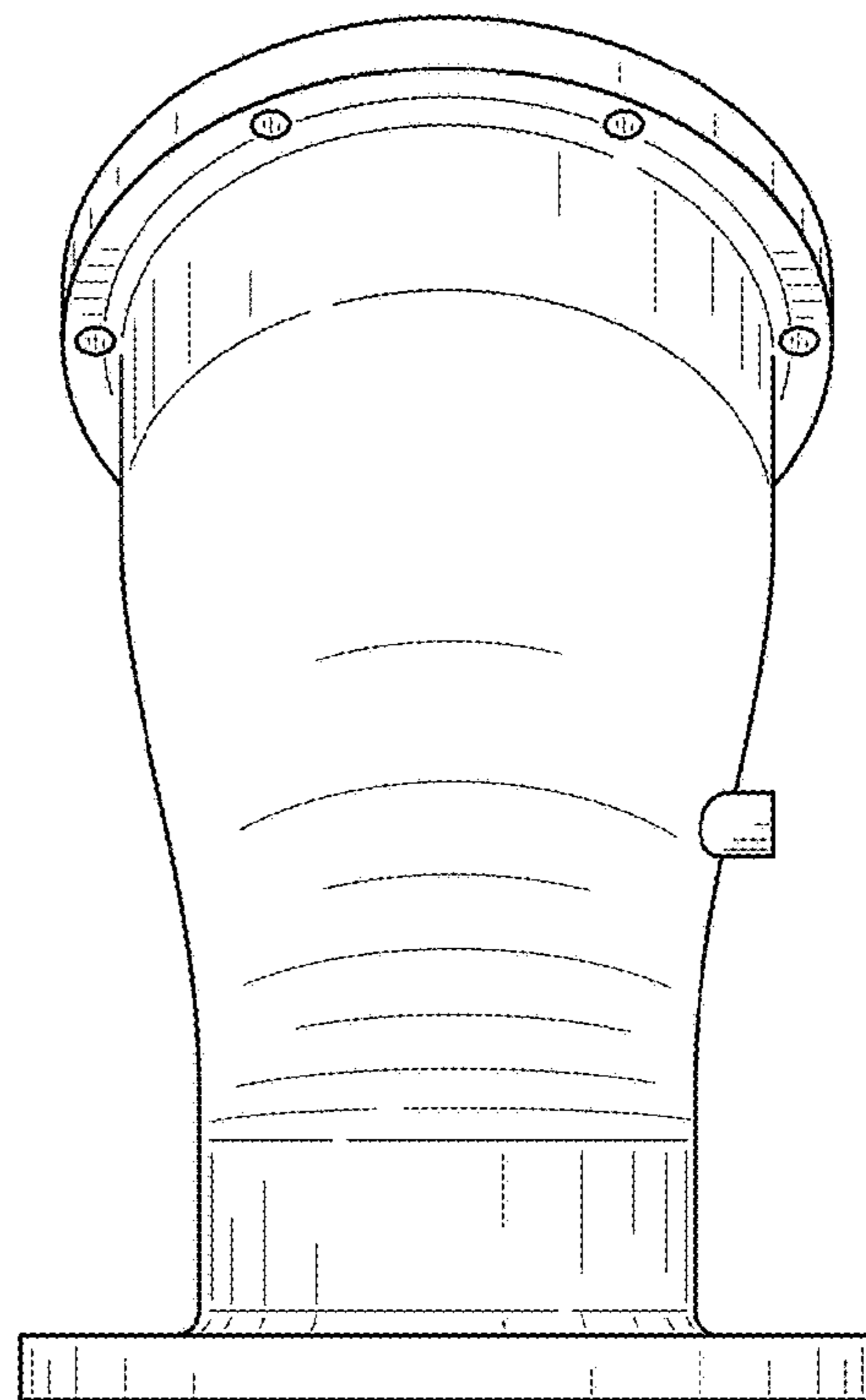


FIG. 3

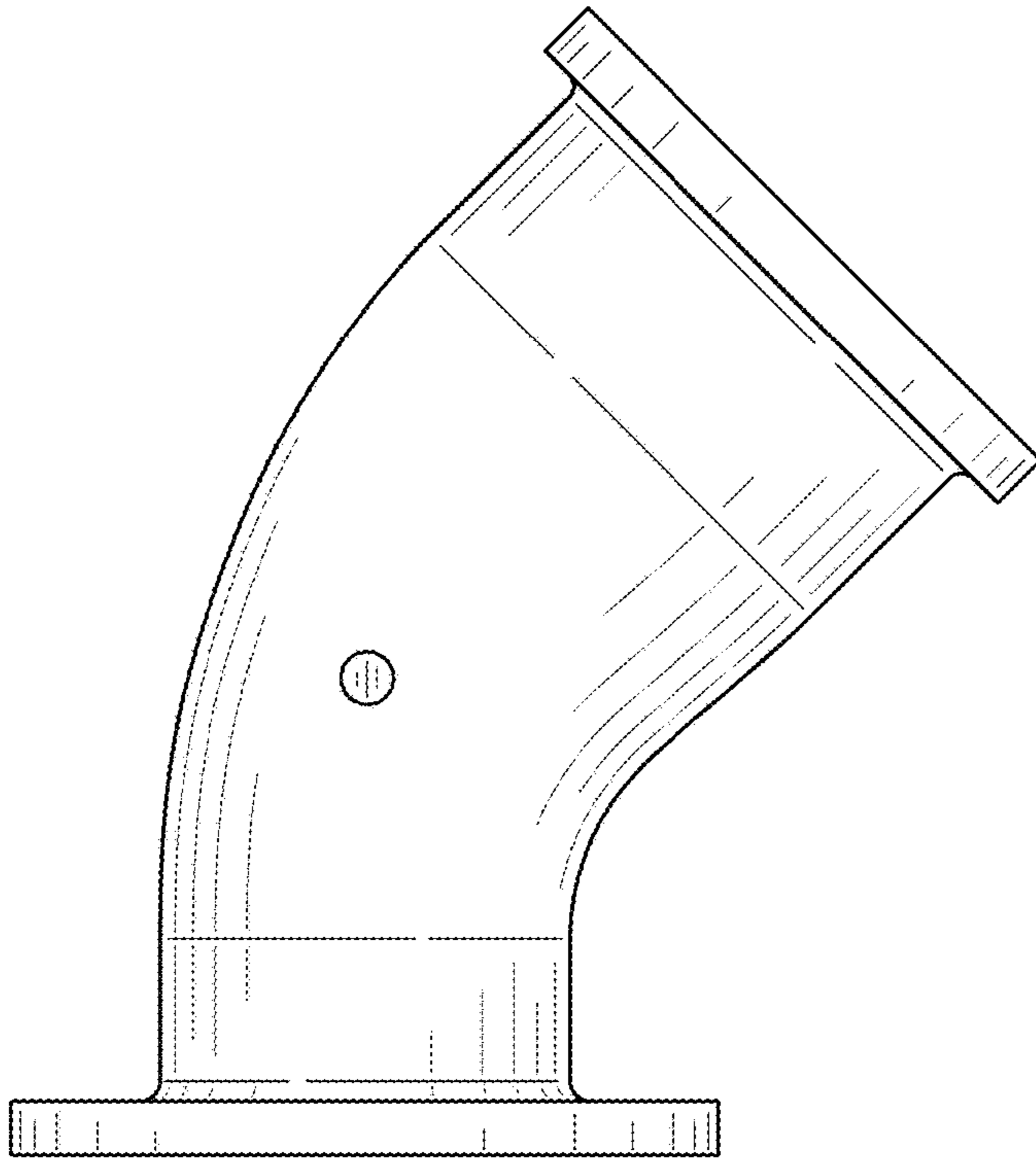


FIG. 4

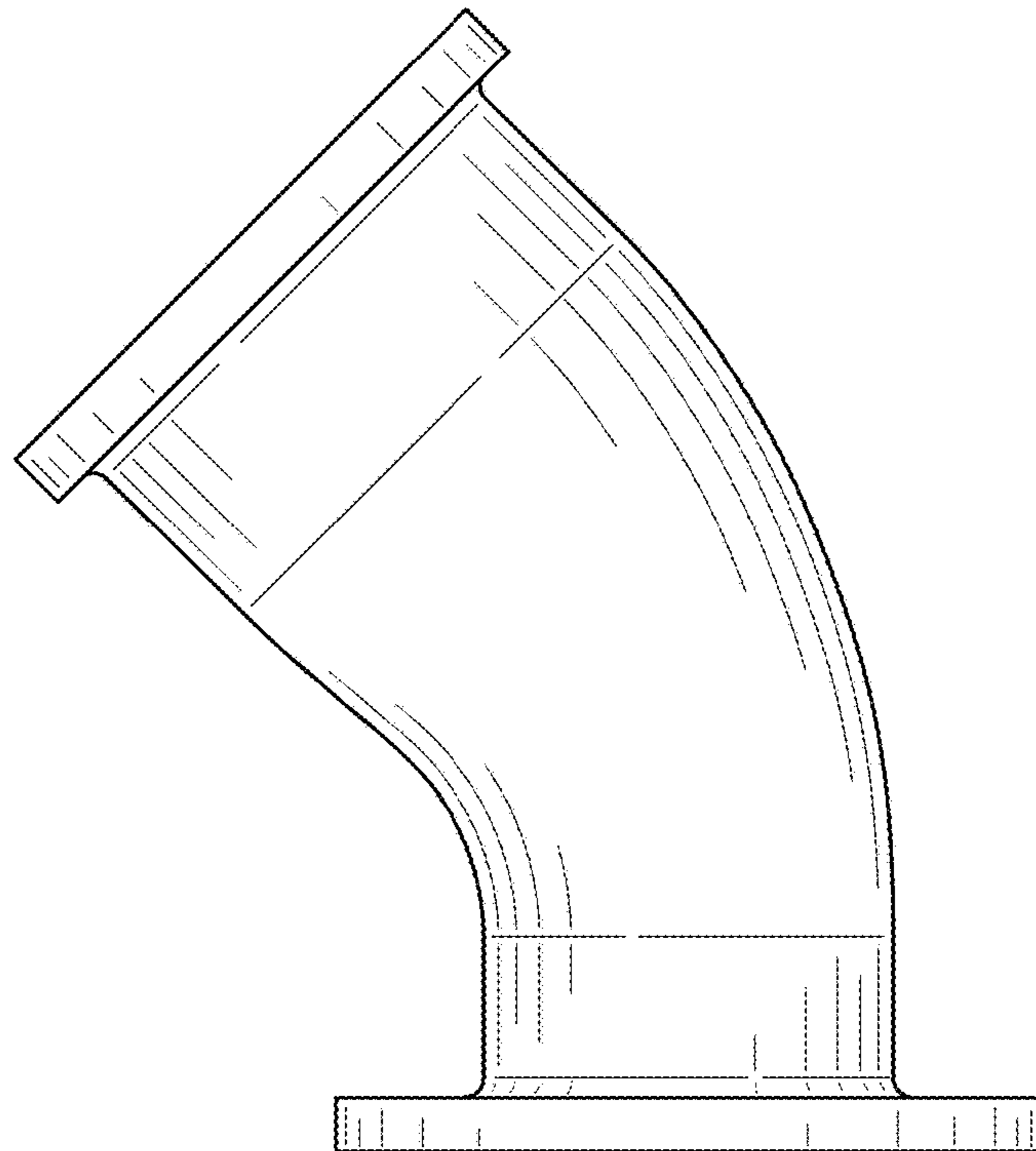


FIG. 5

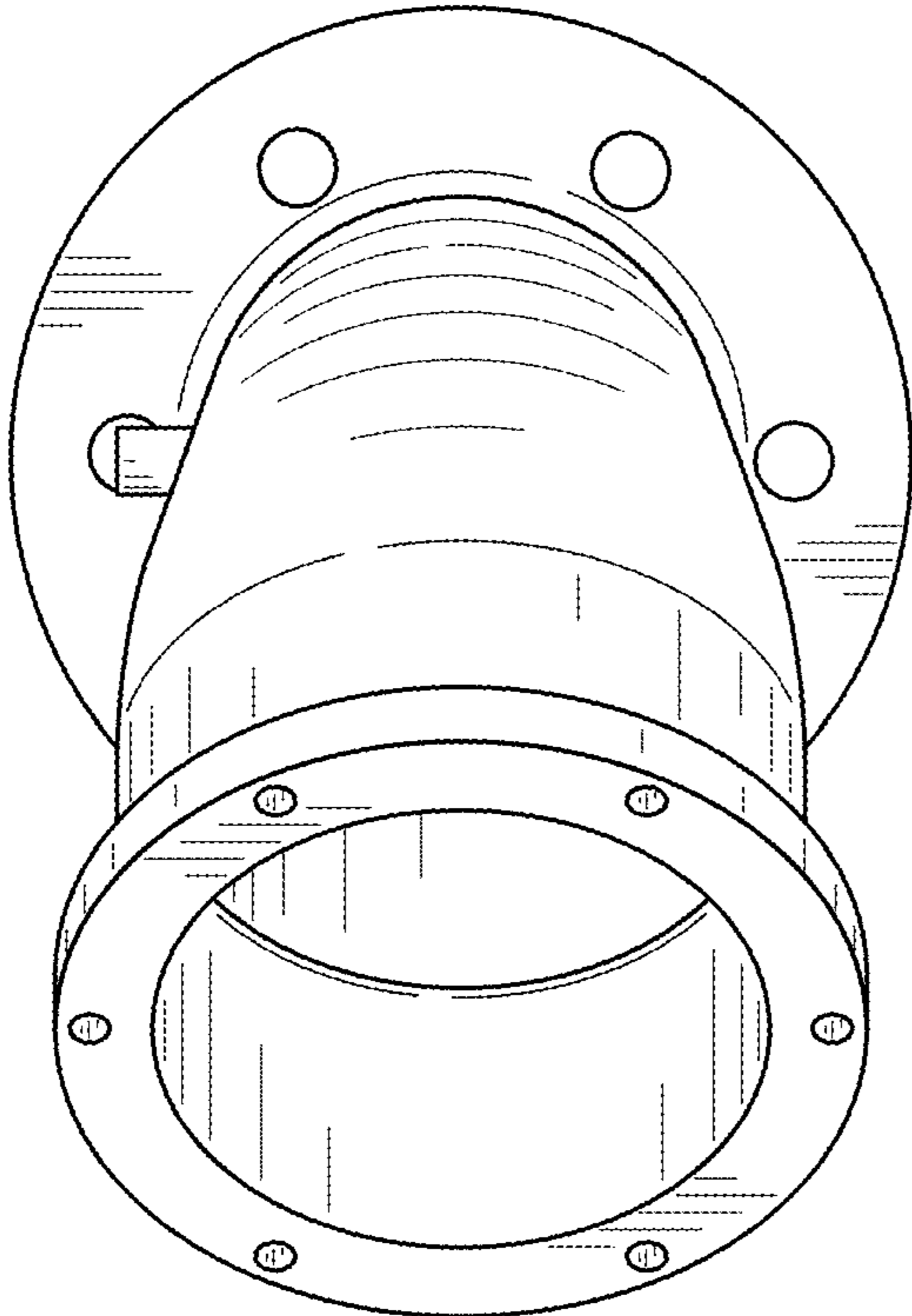


FIG. 6

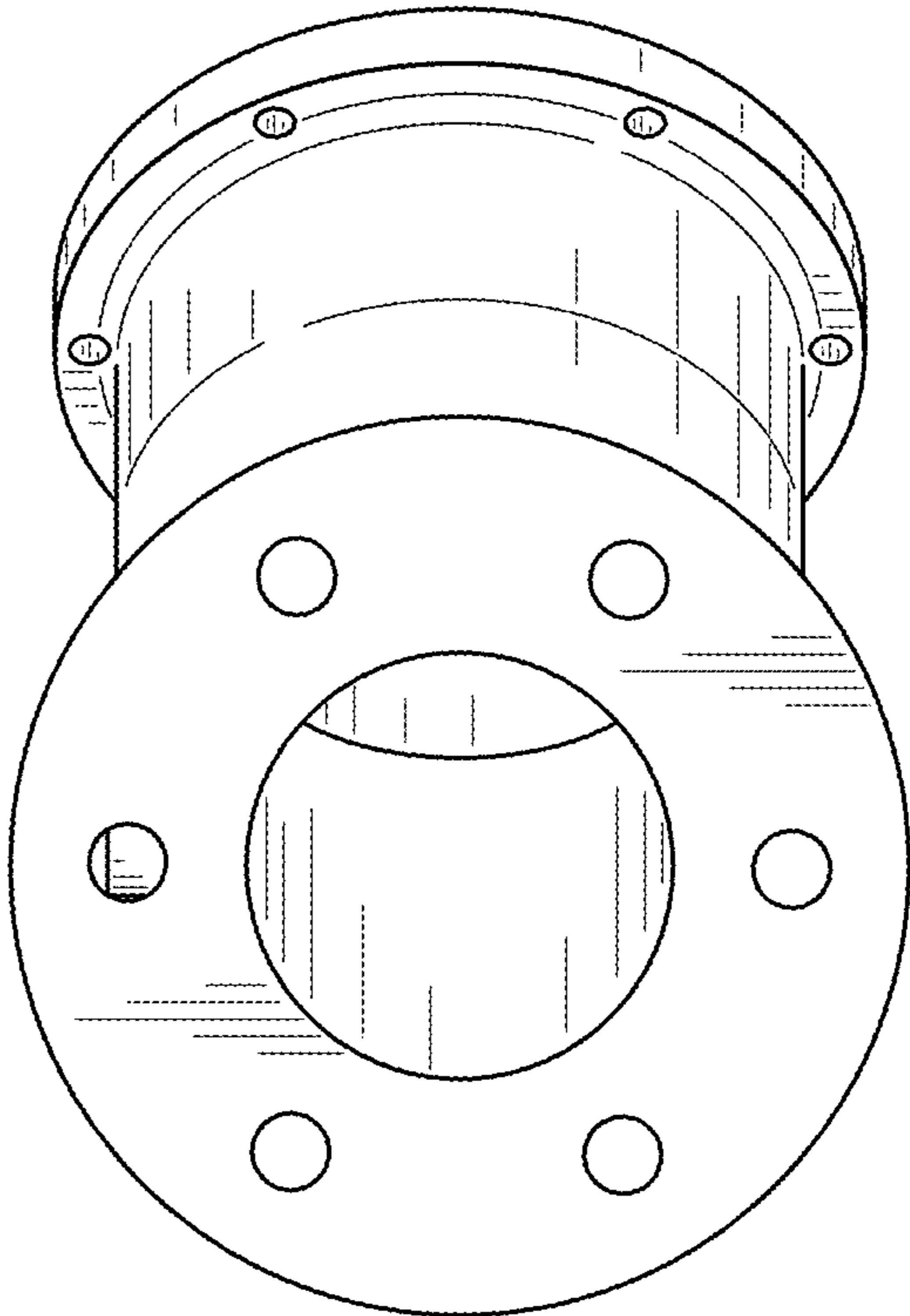


FIG. 7

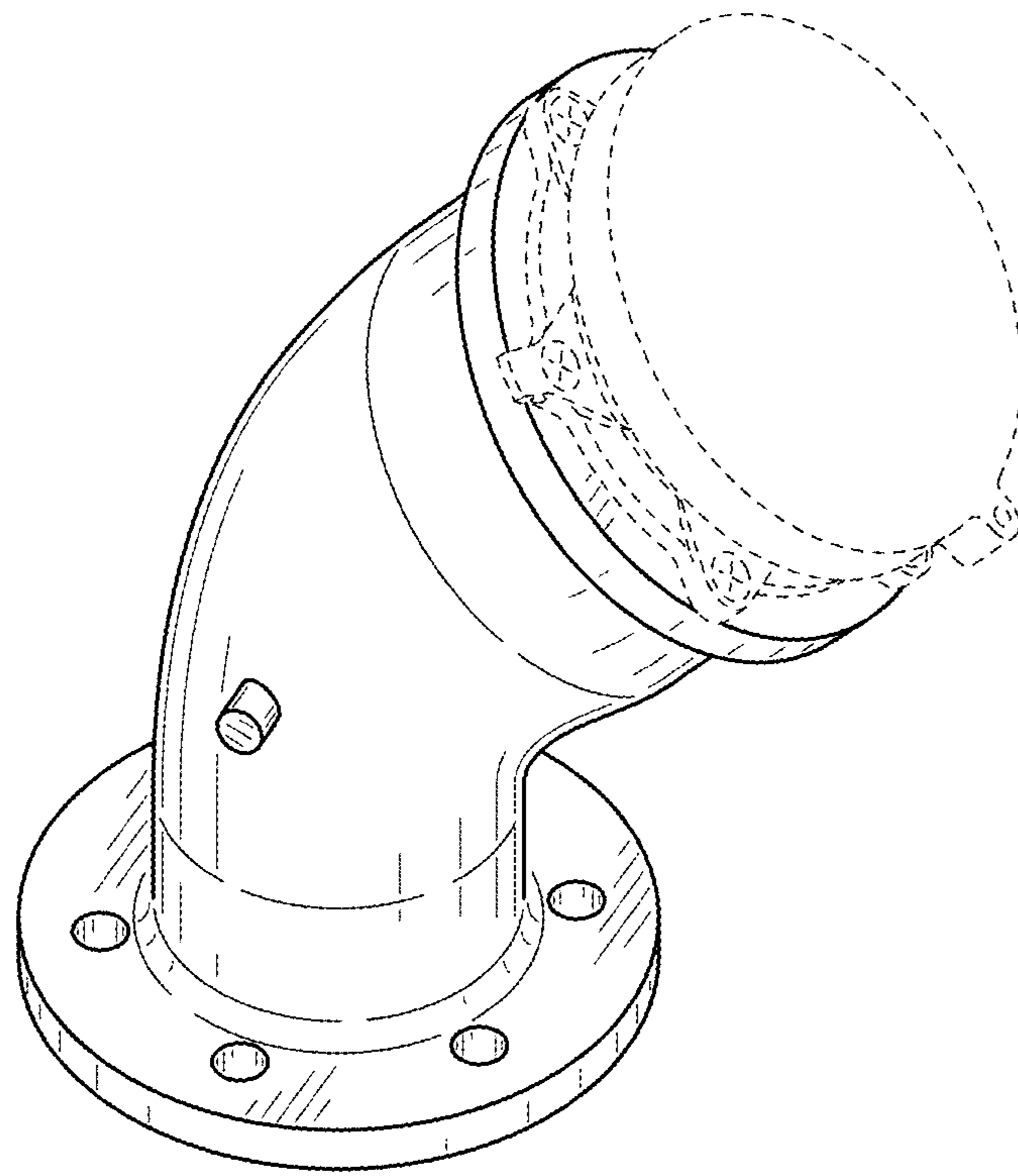


FIG. 8

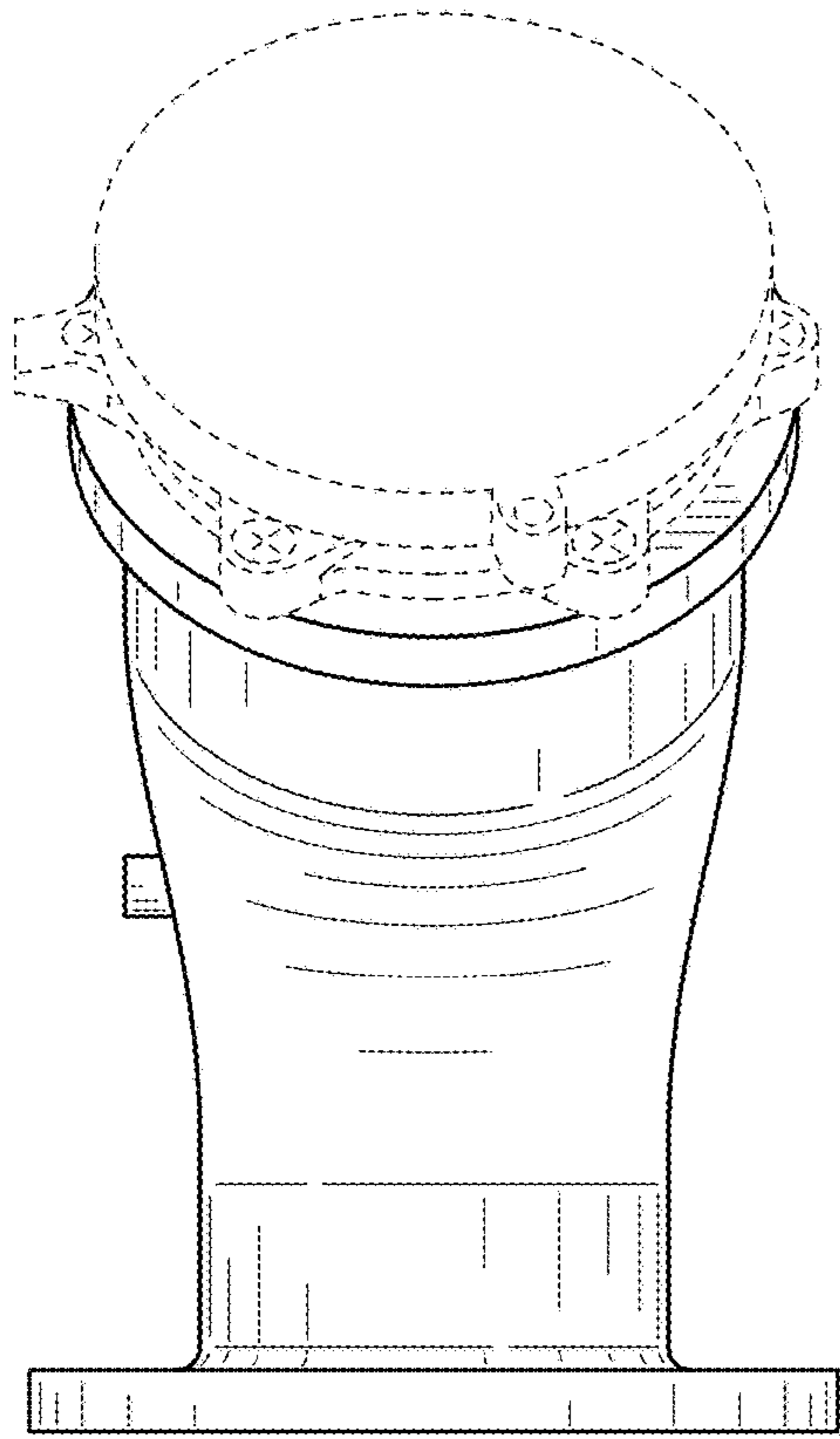


FIG. 9

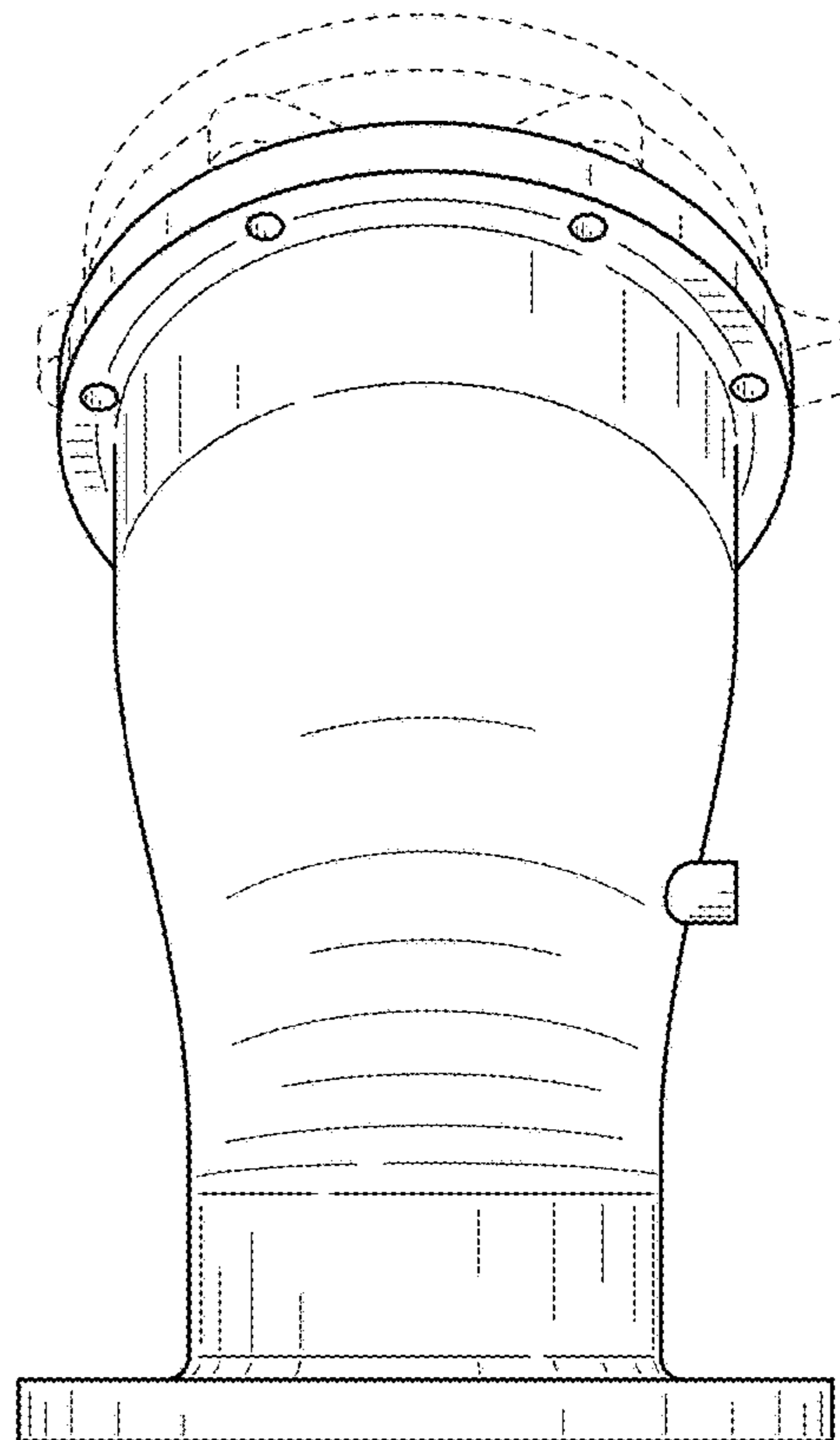


FIG. 10

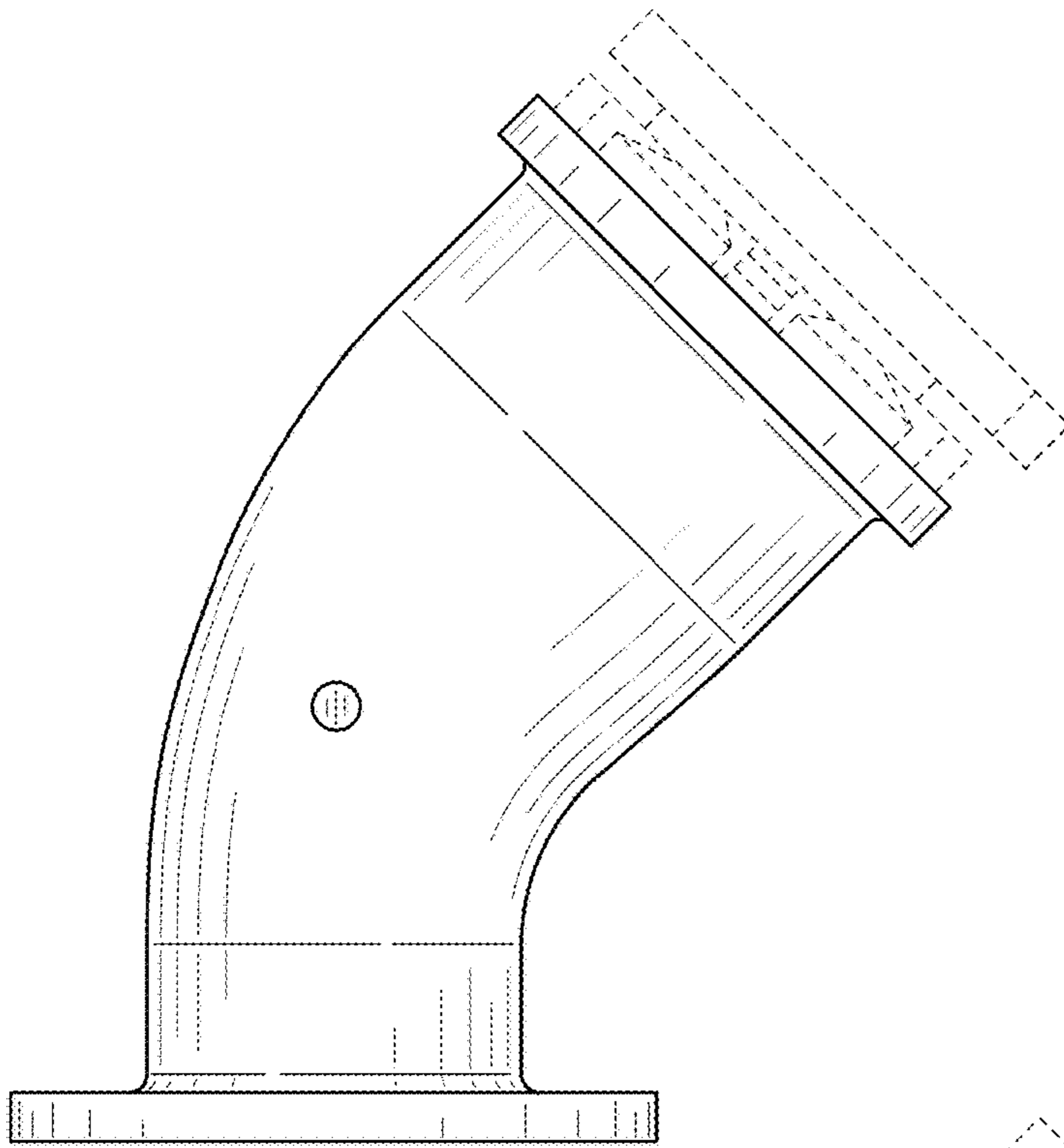


FIG. 11

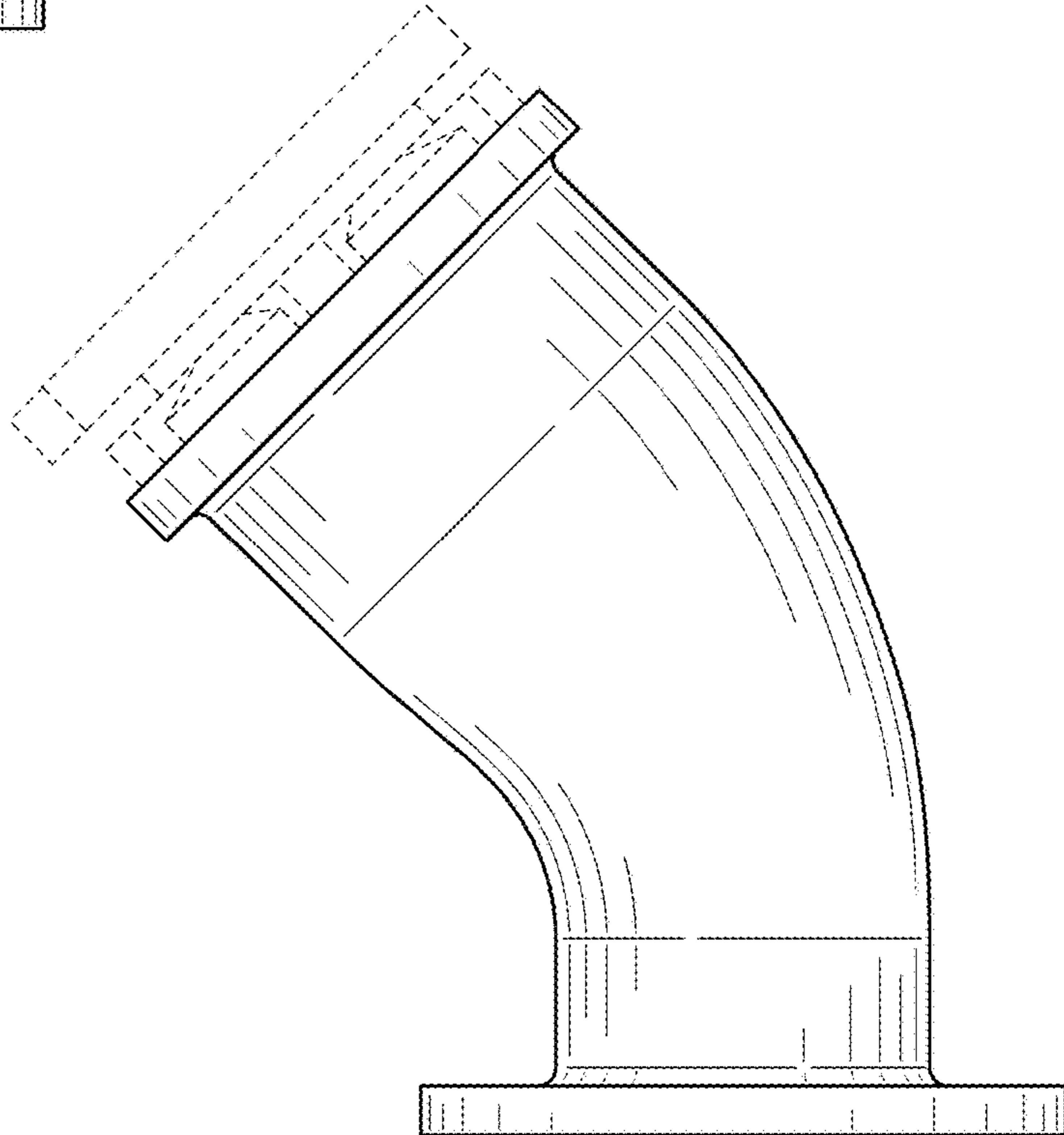


FIG. 12

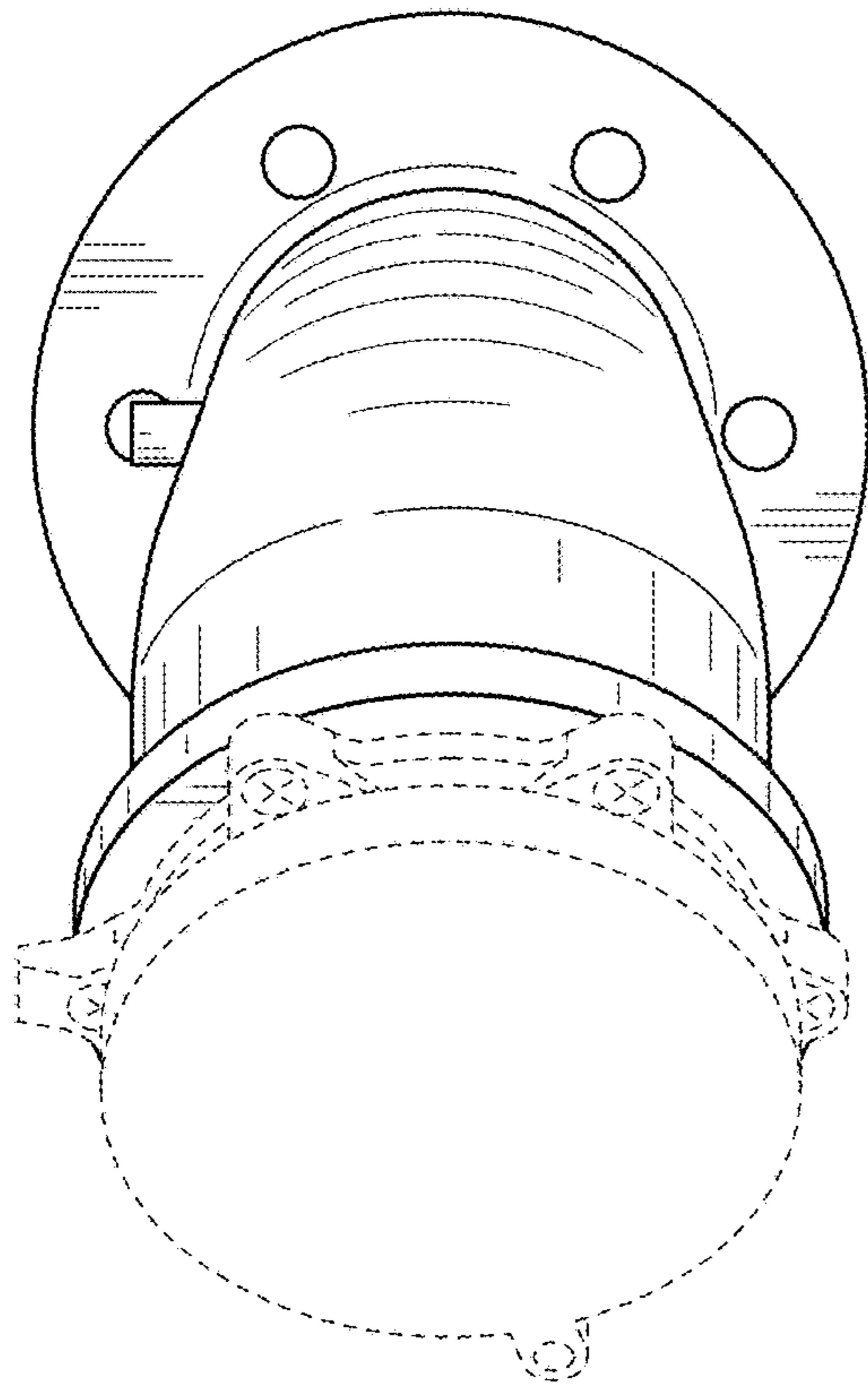


FIG. 13

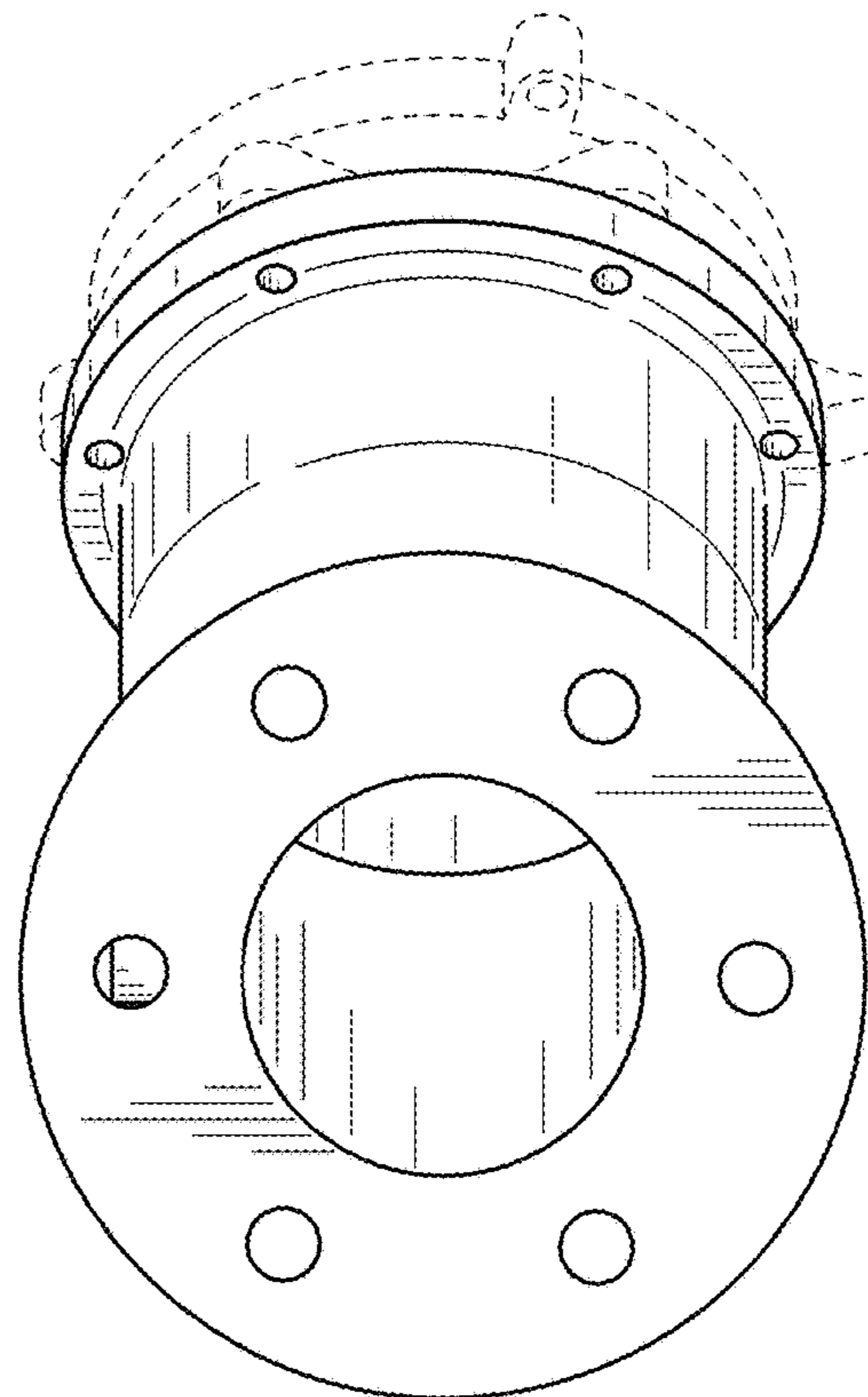


FIG. 14

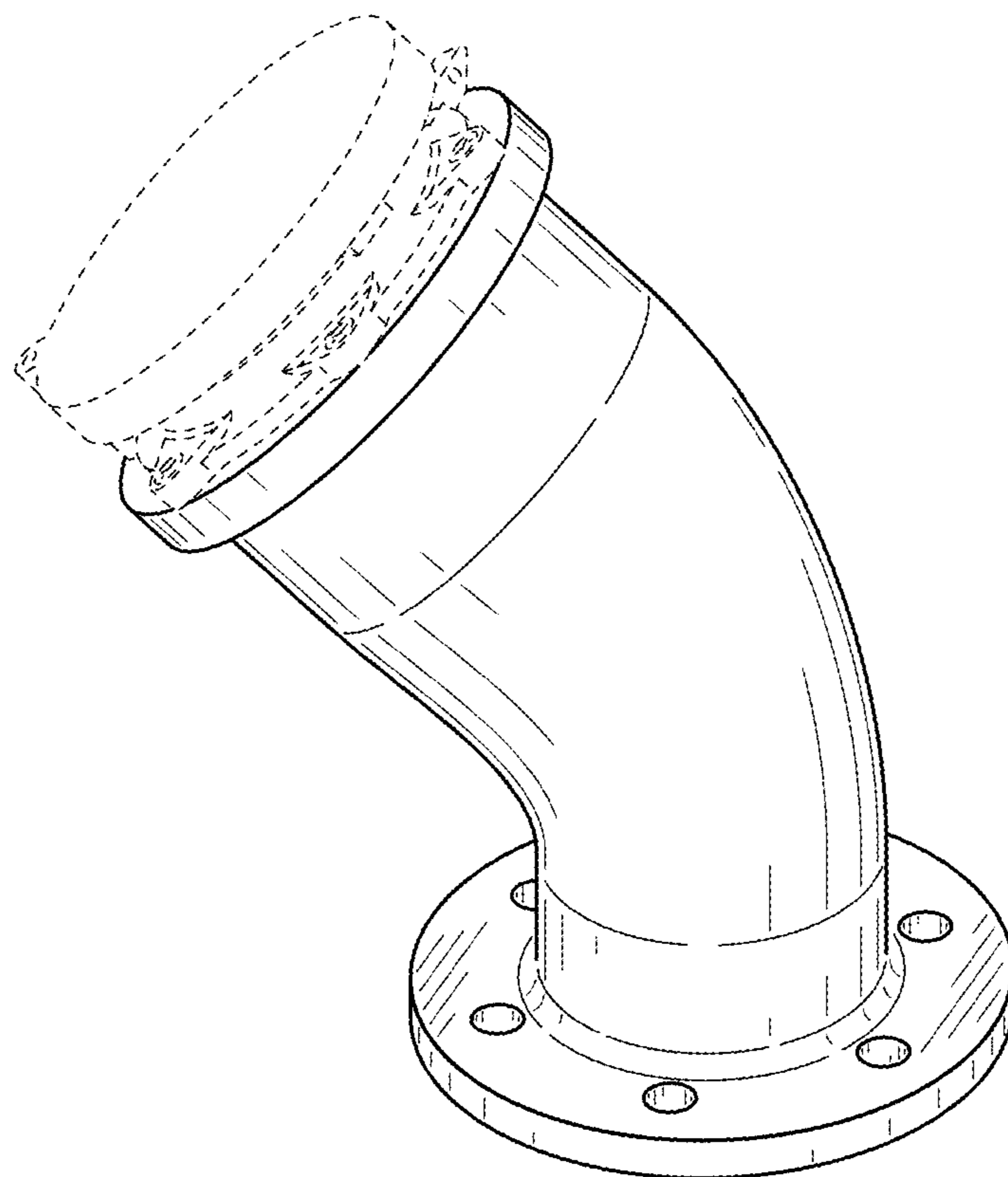


FIG. 15

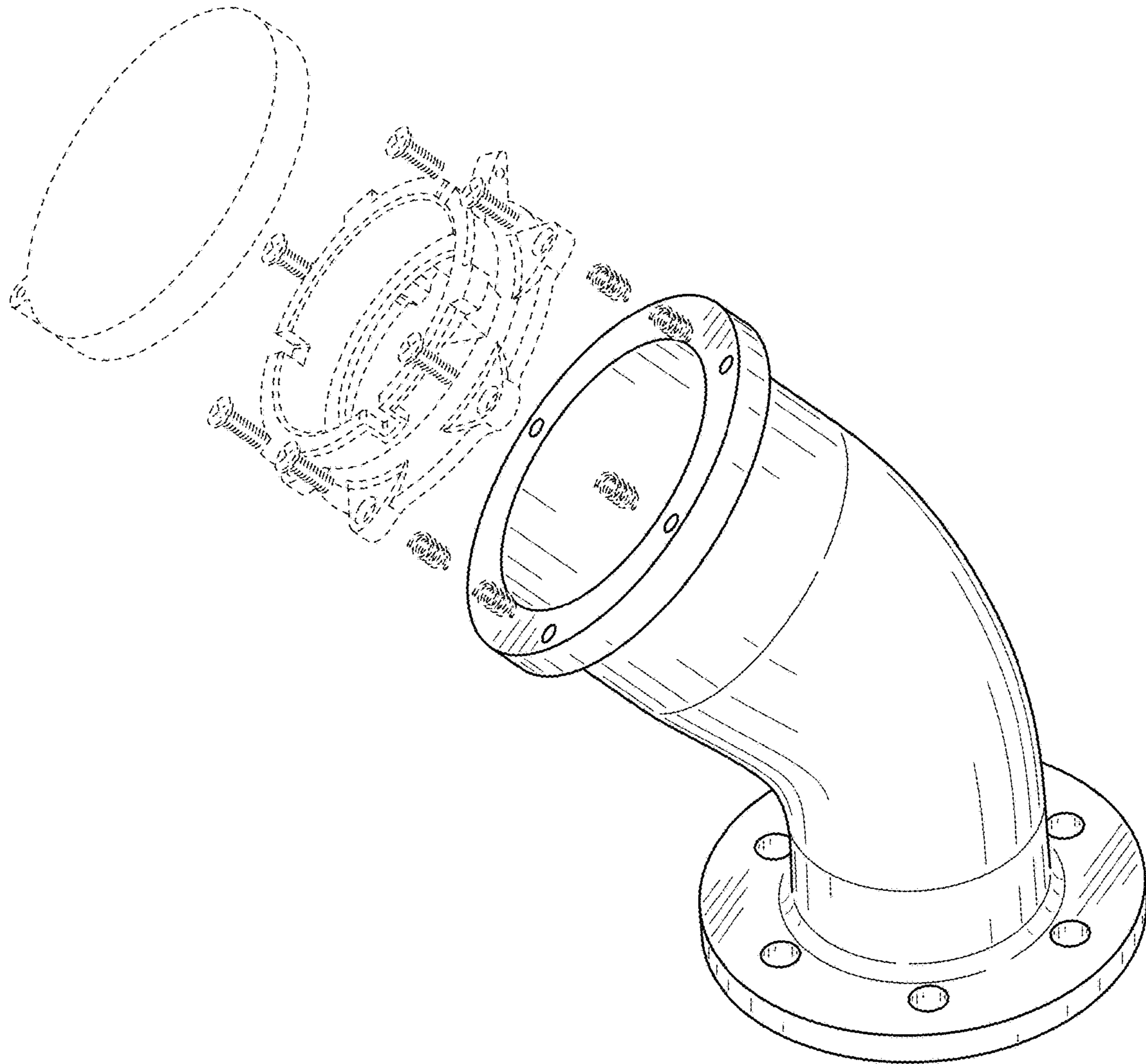


FIG. 16