



US00D814611S

(12) **United States Design Patent**
Karnegie

(10) **Patent No.:** **US D814,611 S**
(45) **Date of Patent:** **** Apr. 3, 2018**

- (54) **SINK DRAIN HAIR COLLECTOR**
- (71) Applicant: **Juka Innovations Corporation**,
Farmingdale, NY (US)
- (72) Inventor: **Serge Karnegie**, Glen Cove, NY (US)
- (73) Assignee: **JUKA INNOVATIONS CORPORATION**, Farmingdale, NY
(US)
- (**) Term: **15 Years**
- (21) Appl. No.: **29/609,178**
- (22) Filed: **Jun. 28, 2017**

Related U.S. Application Data

- (63) Continuation-in-part of application No. 29/597,868,
filed on Mar. 21, 2017, now Pat. No. Des. 794,759.
- (51) **LOC (11) Cl.** **23-01**
- (52) **U.S. Cl.**
USPC **D23/261**
- (58) **Field of Classification Search**
USPC D23/259-261; 210/164, 163, 156,
210/157-159, 162, 165, 232; 4/222.1,
4/255.07, 286-293, 680-682, 694, 295;
23/208-210, 262; 404/2-4; 405/42
CPC ... E03C 1/23; E03C 1/26; E03C 1/262; E03C
1/22; E03C 1/264; E03C 1/03; A47K
1/14; E03F 5/06; E03F 5/0407; E03F
5/052; E03F 5/0404; F15D 1/0005; B01D
39/16
See application file for complete search history.

(56) **References Cited**

U.S. PATENT DOCUMENTS

- 394,213 A * 12/1888 Scannell E03C 1/264
4/289
- 769,001 A * 8/1904 Lawrence E03C 1/264
4/291

- 1,436,294 A * 11/1922 Scott B60K 15/0406
210/473
- 2,075,443 A * 3/1937 Kirschner E03C 1/262
251/100
- 2,337,331 A * 12/1943 Kirschner E03C 1/262
4/287
- D246,109 S * 10/1977 Rosaen D23/209
- D400,973 S * 11/1998 Hall D23/355
- 5,915,847 A * 6/1999 Spears E03C 1/262
4/287
- 6,308,350 B1 * 10/2001 Marchionda E03C 1/282
4/292
- D550,819 S * 9/2007 Seehoff D23/261
- 7,376,983 B1 * 5/2008 Sciarrino E03C 1/264
4/288
- 7,725,960 B2 * 6/2010 Markaj B01D 35/10
4/256.1
- 8,011,030 B2 * 9/2011 Li E03C 1/262
4/286
- D650,471 S * 12/2011 Du D23/268
- D783,134 S 4/2017 Karnegie

(Continued)

Primary Examiner — Eric L Goodman
Assistant Examiner — Amy C Wierenga

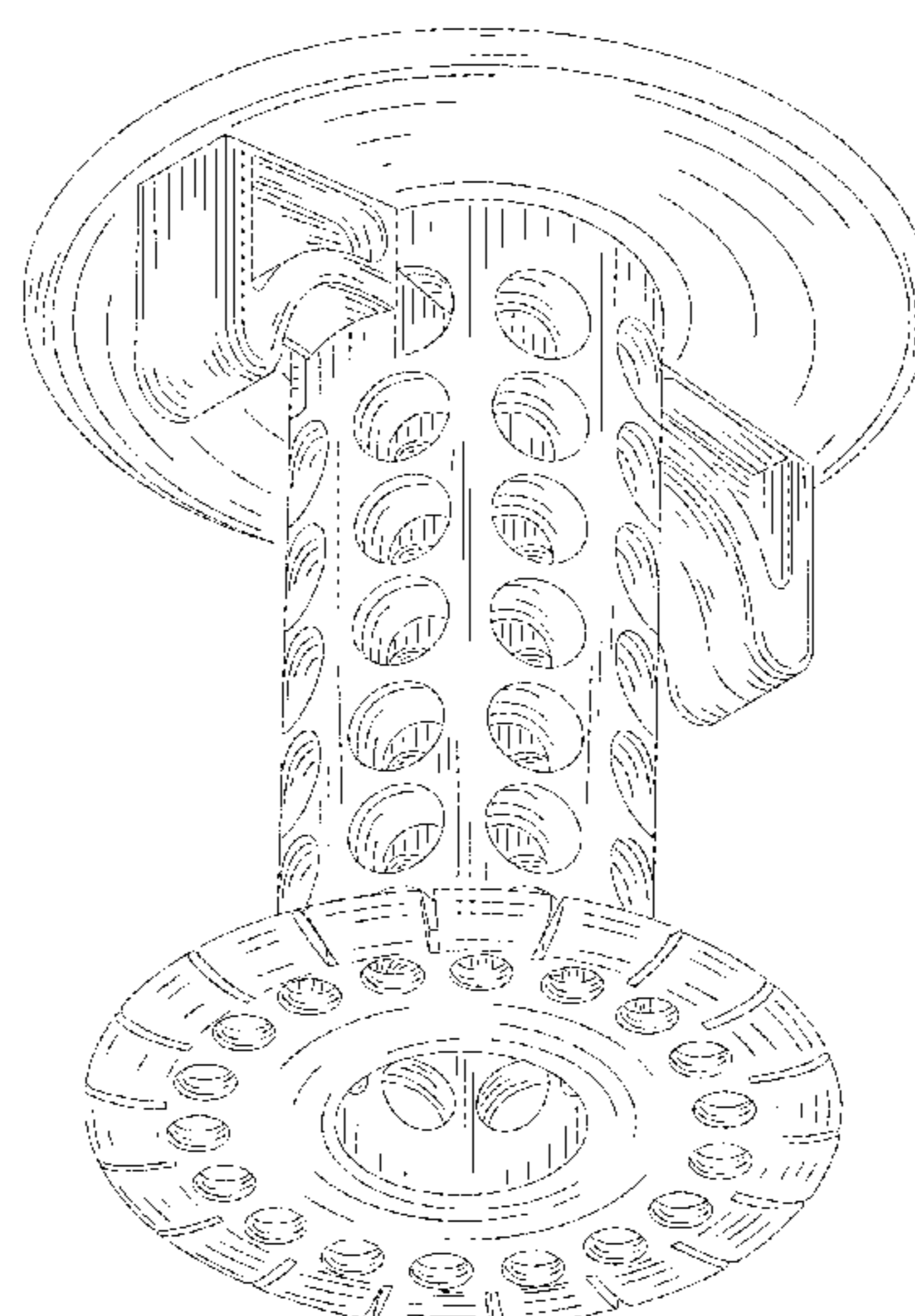
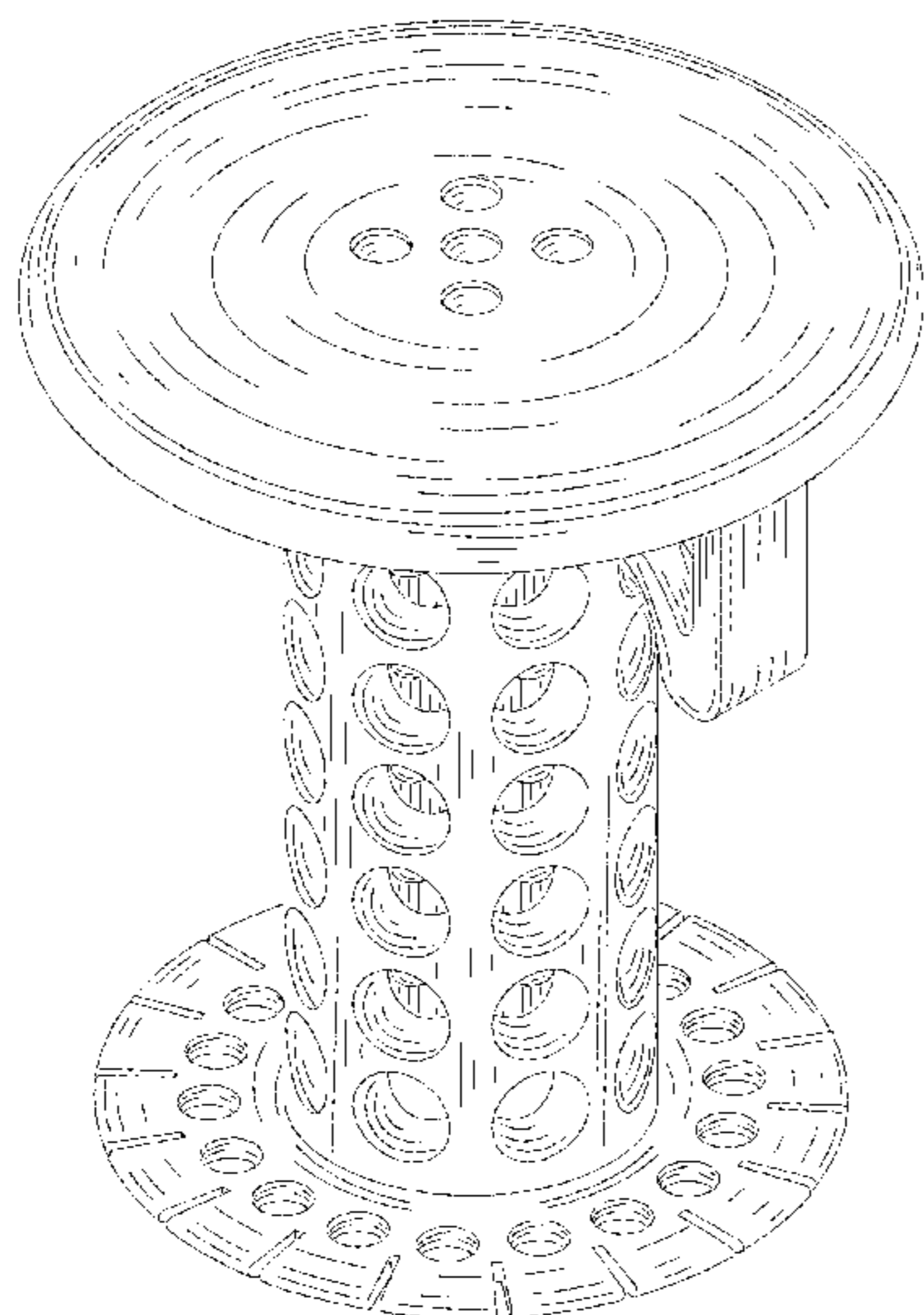
(57) **CLAIM**

The ornamental design for a sink drain hair collector, as shown and described.

DESCRIPTION

FIG. 1 is a top right perspective view of a sink drain hair collector showing my new design;
FIG. 2 is a top left perspective view thereof;
FIG. 3 is a bottom left perspective view thereof;
FIG. 4 is a front view thereof;
FIG. 5 is a back view thereof;
FIG. 6 is a top view thereof;
FIG. 7 is a bottom view thereof;
FIG. 8 is a left view thereof; and,
FIG. 9 is a right view thereof.

1 Claim, 9 Drawing Sheets



(56)

References Cited

U.S. PATENT DOCUMENTS

D785,767 S * 5/2017 Carnegie E03C 1/264
D23/261
D792,562 S * 7/2017 Ali D23/261
D794,759 S * 8/2017 Carnegie D23/261
2010/0071122 A1* 3/2010 Li E03C 1/262
4/287
2016/0130793 A1* 5/2016 Lesmeister E03C 1/264
4/287
2017/0073949 A1* 3/2017 Carnegie E03C 1/264

* cited by examiner

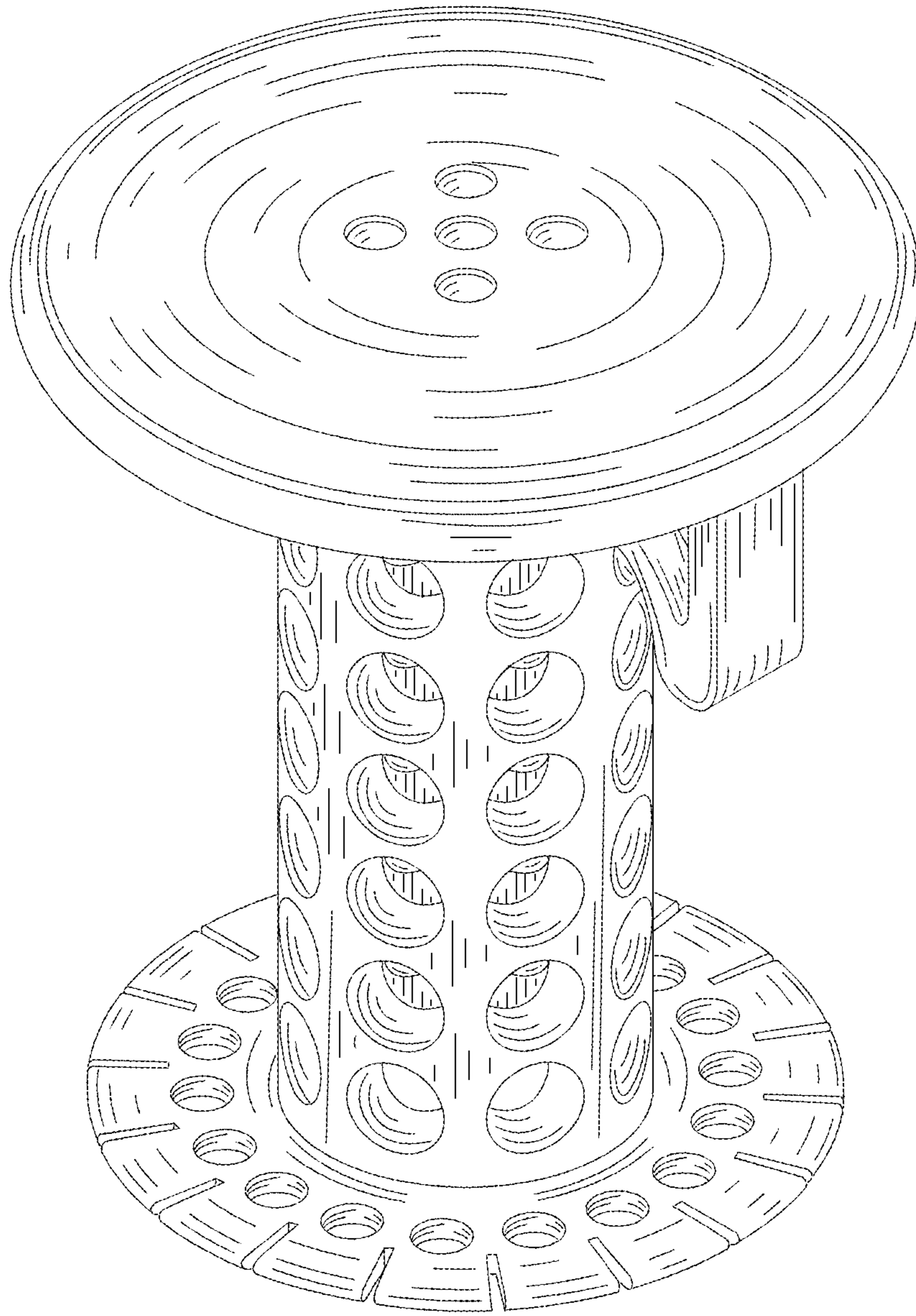


FIG. 1

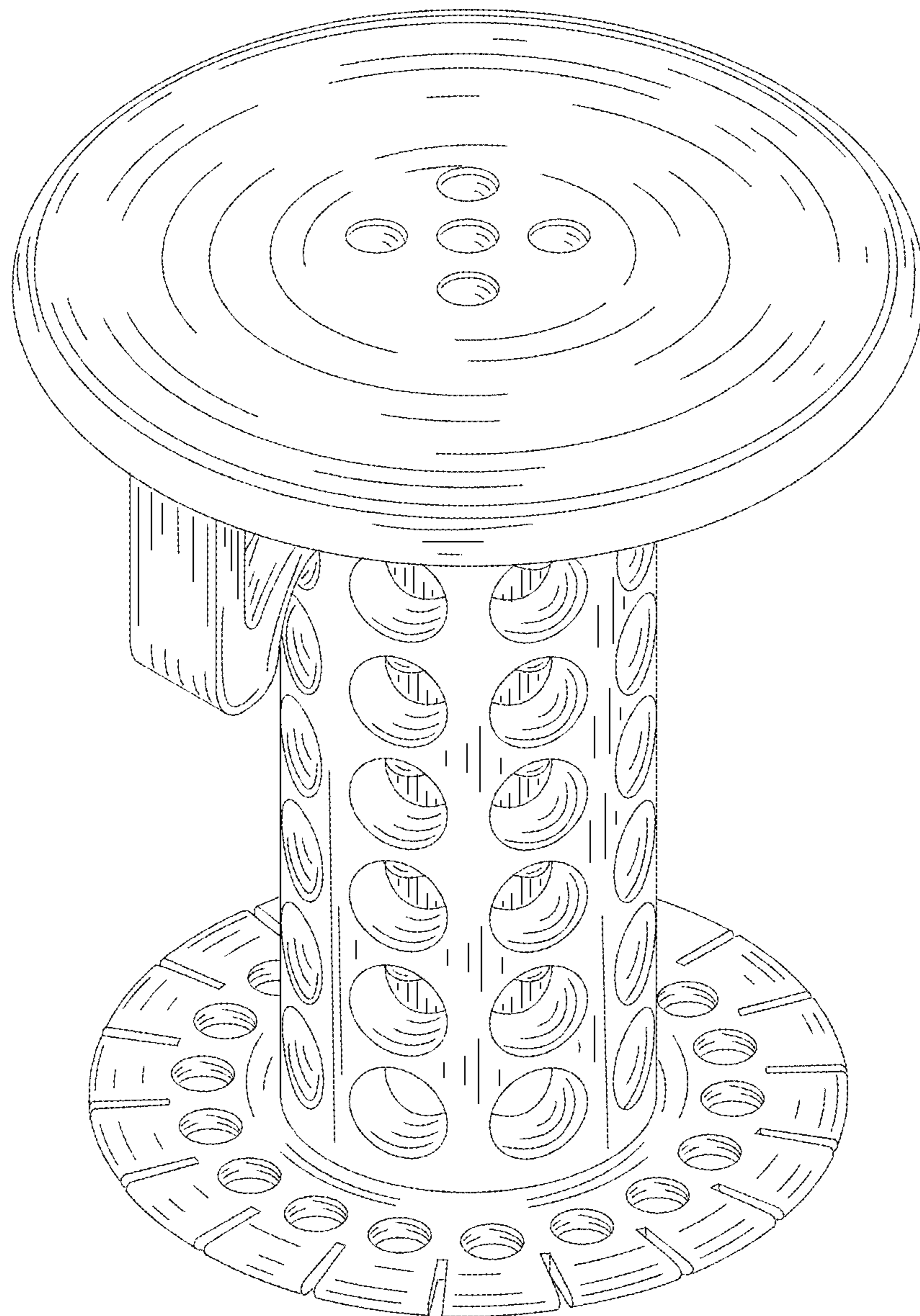


FIG. 2

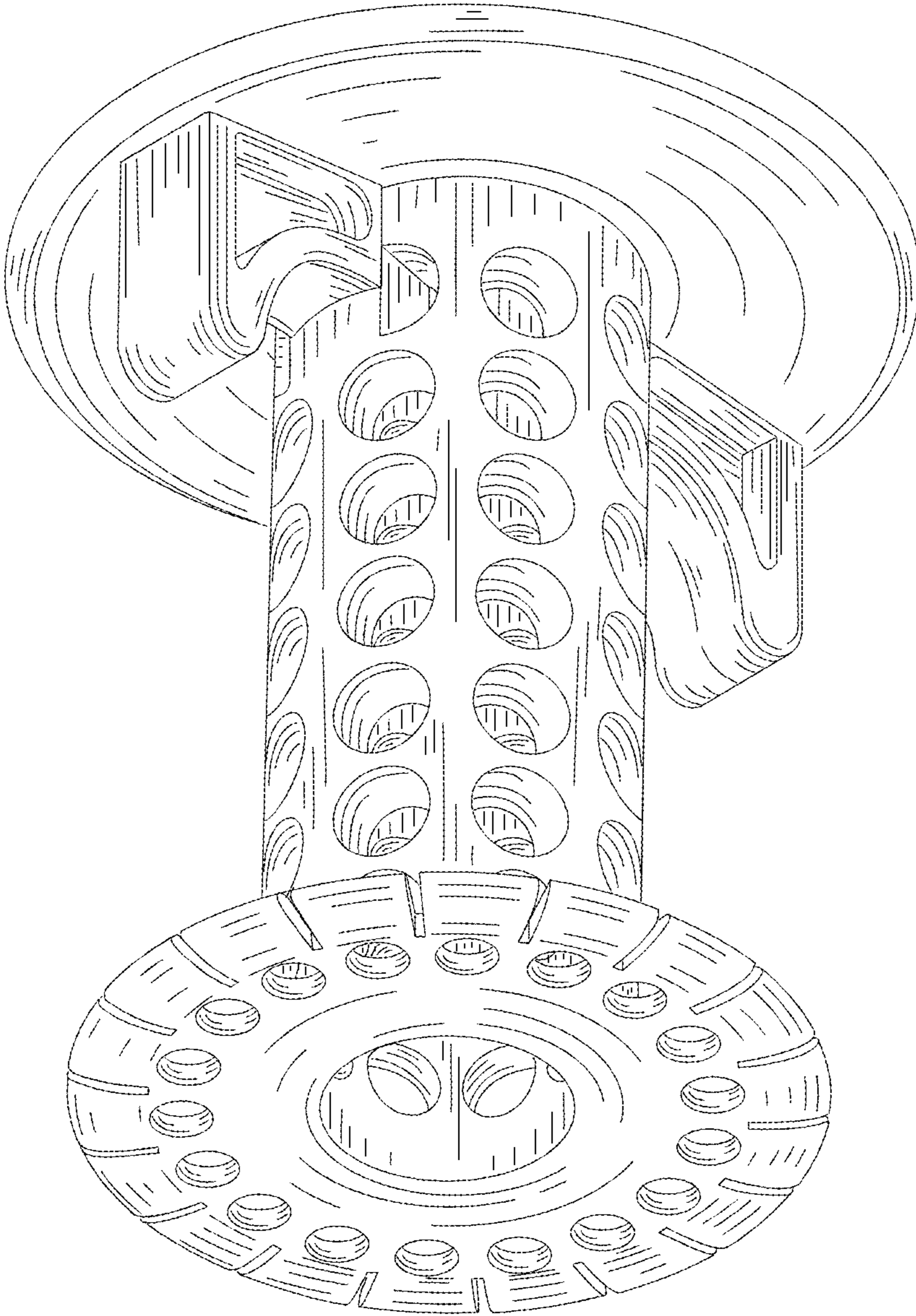


FIG. 3

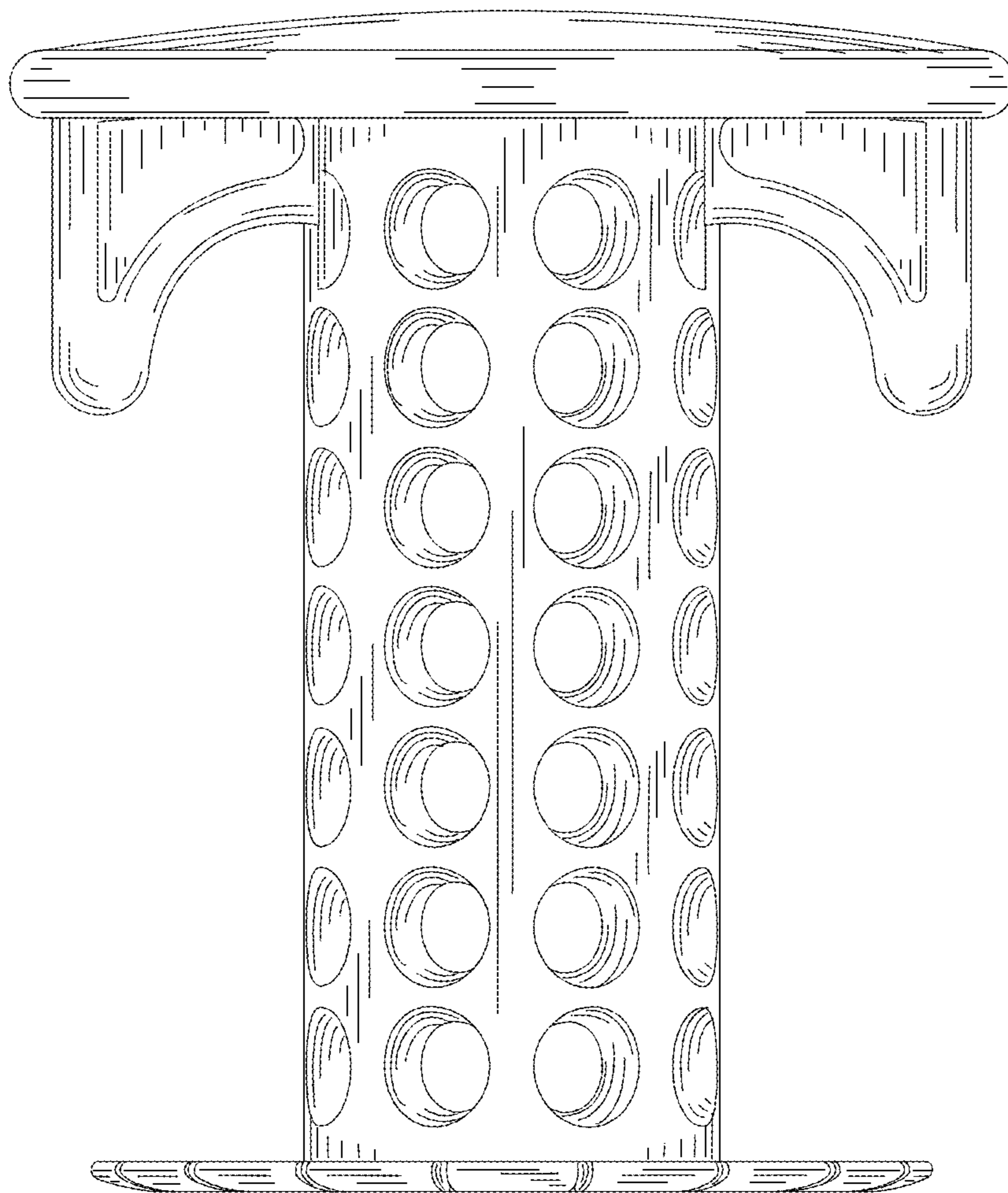


FIG. 4

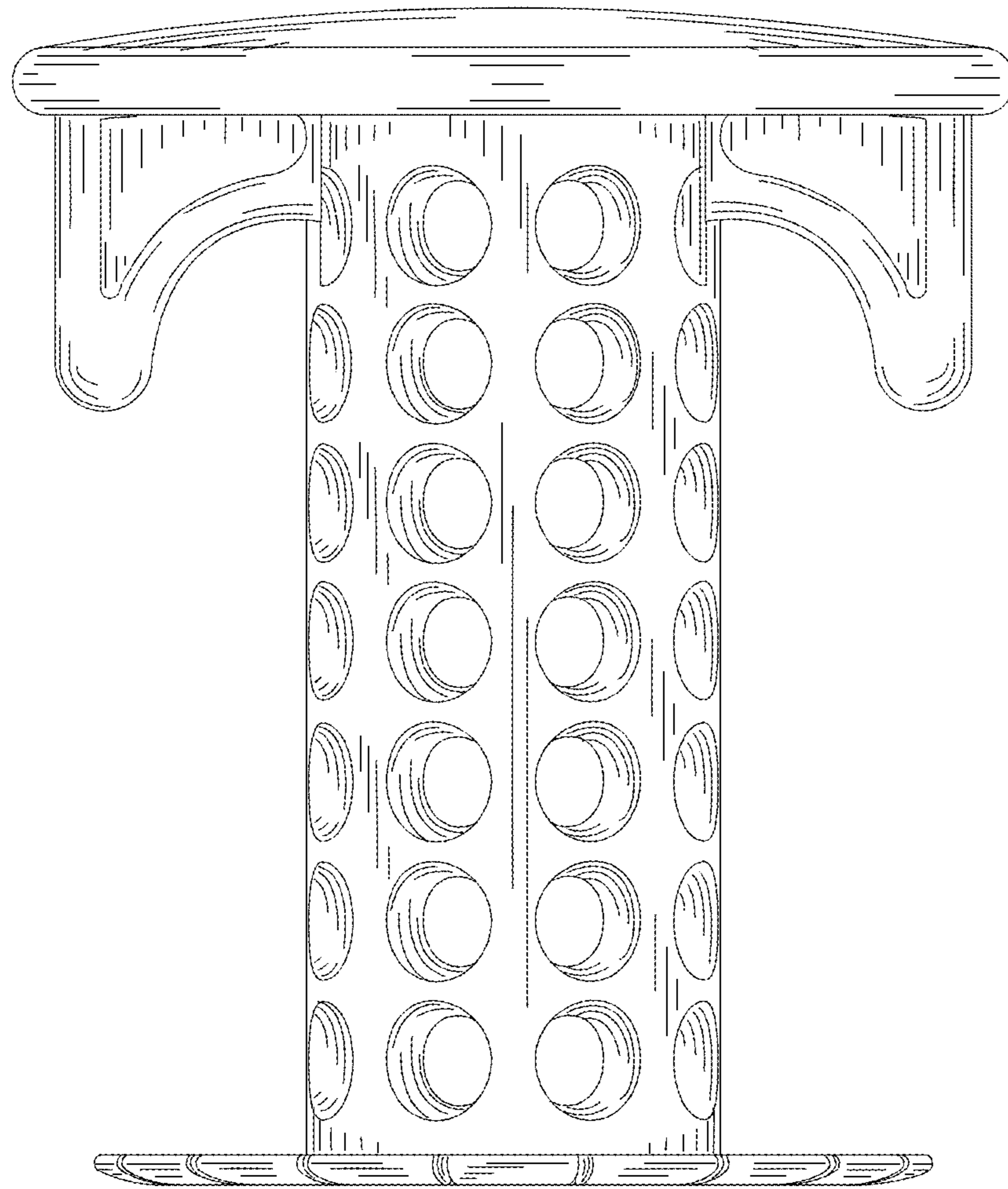


FIG. 5

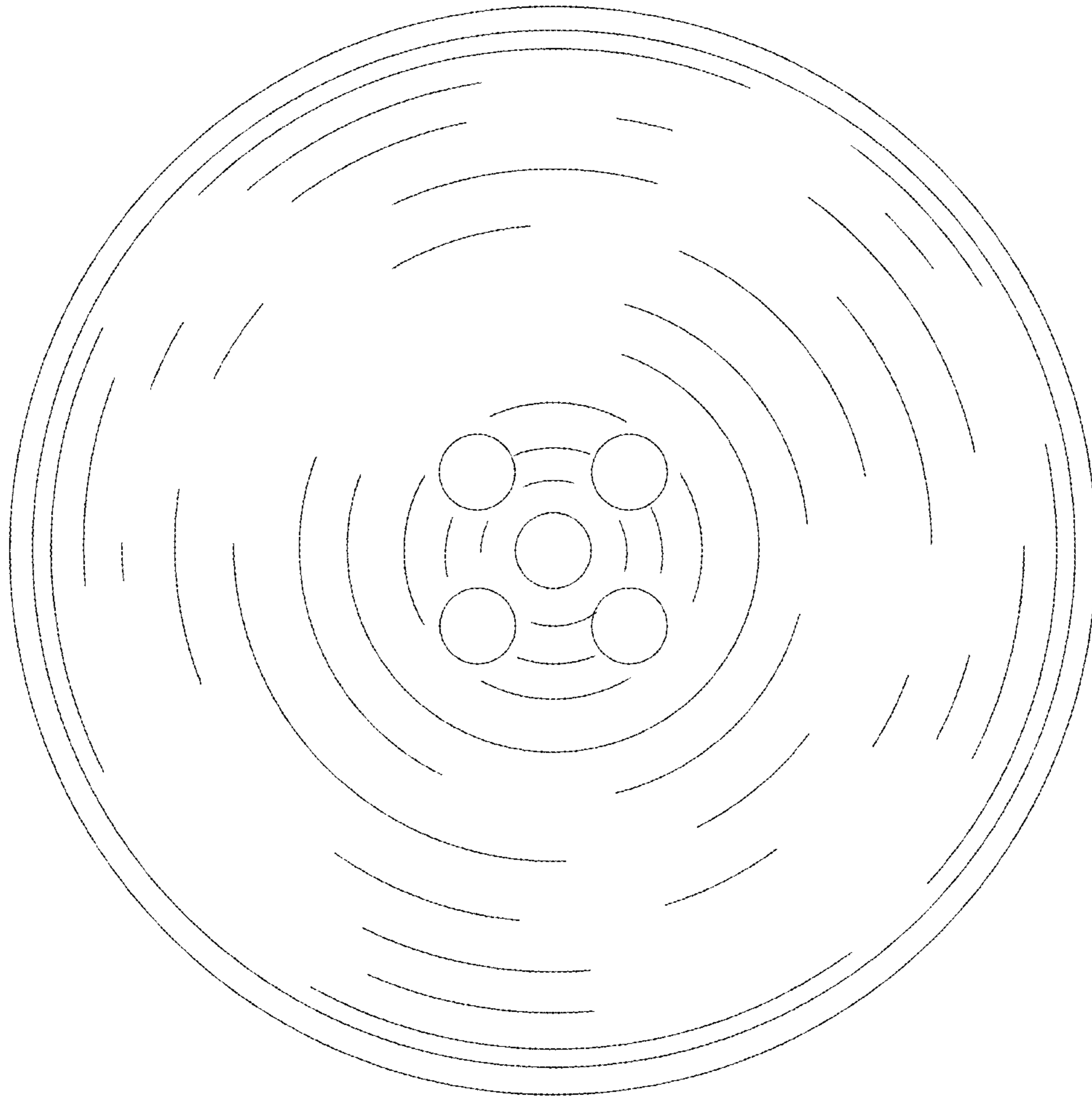


FIG. 6

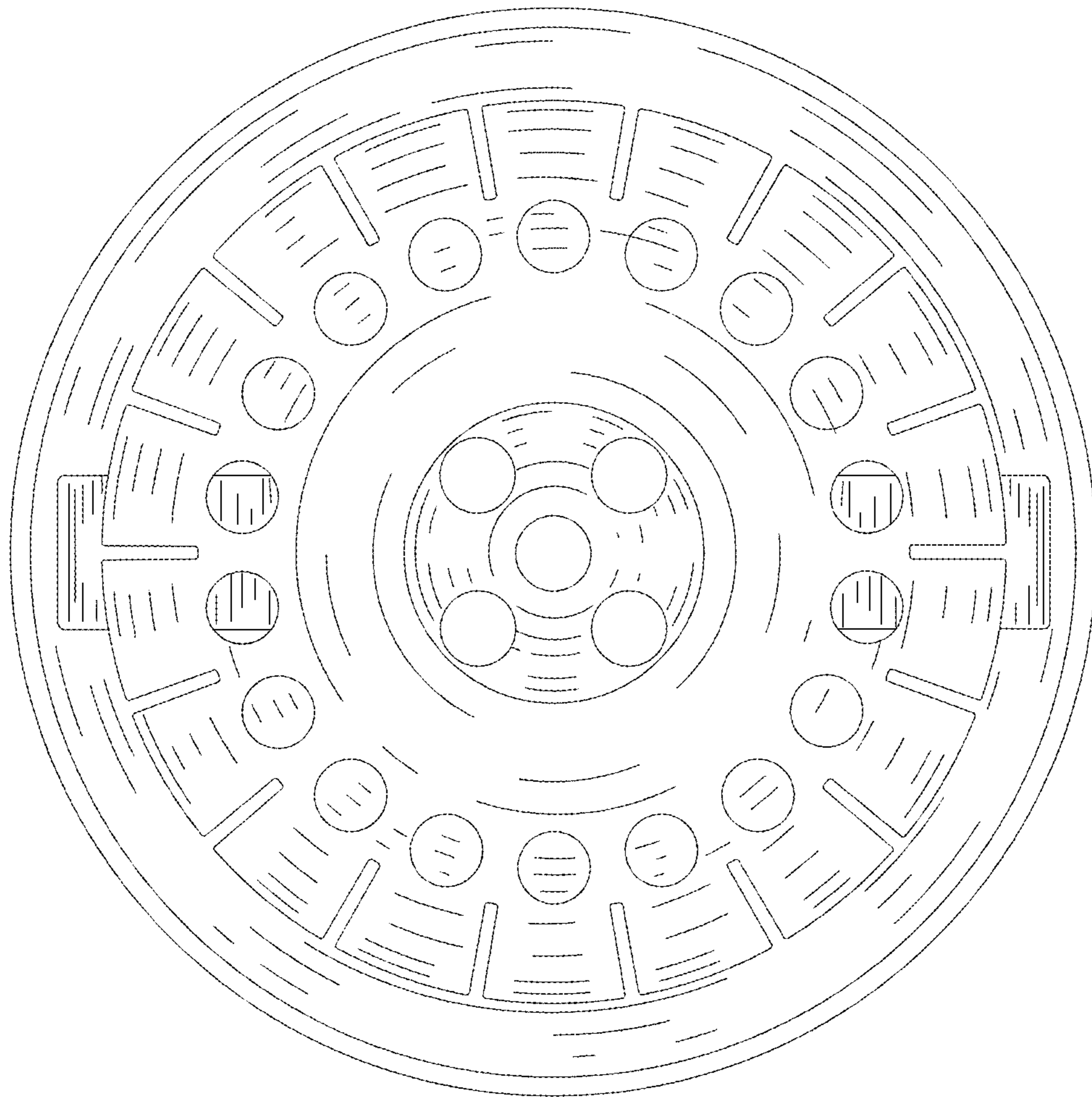


FIG. 7

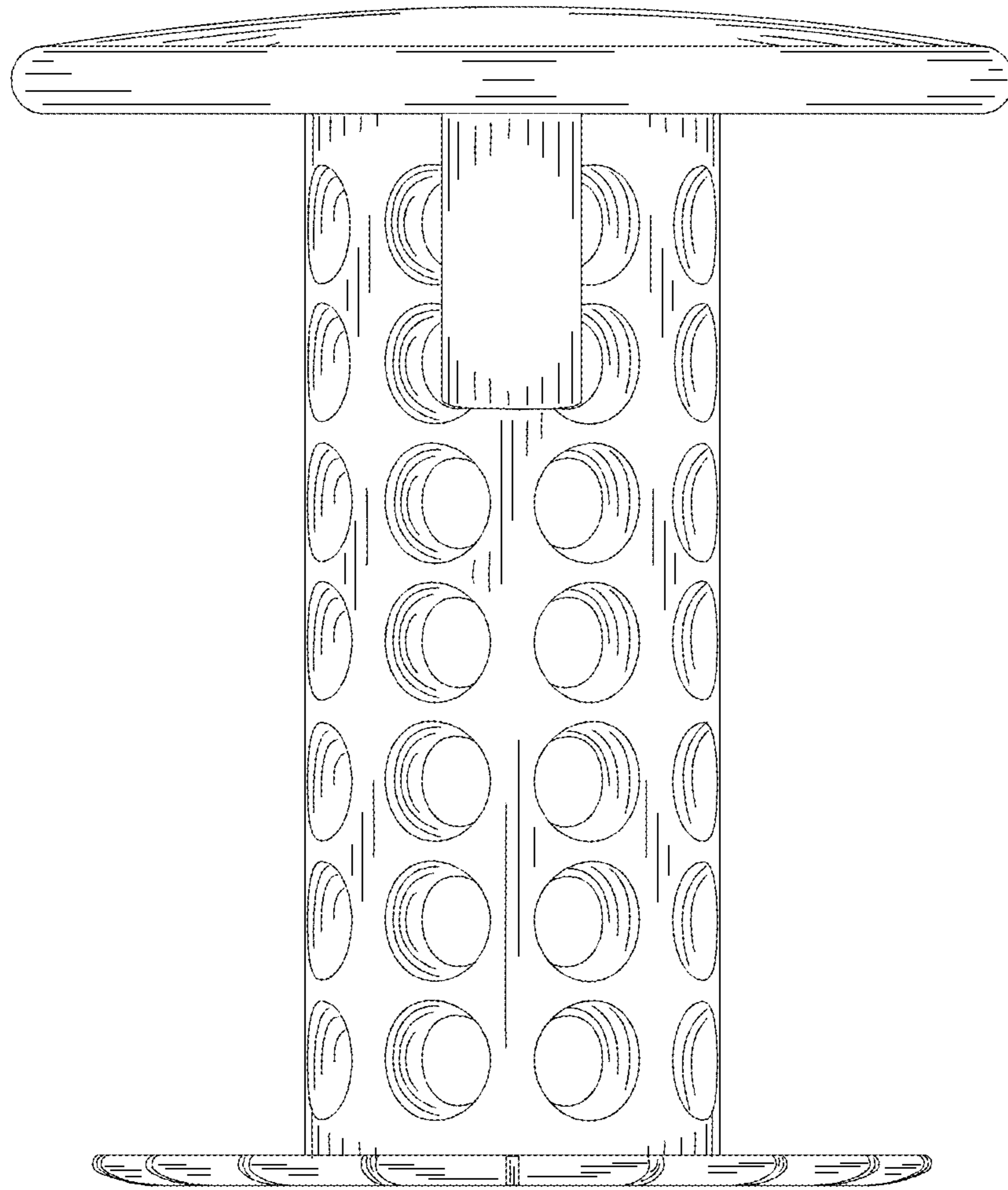


FIG. 8

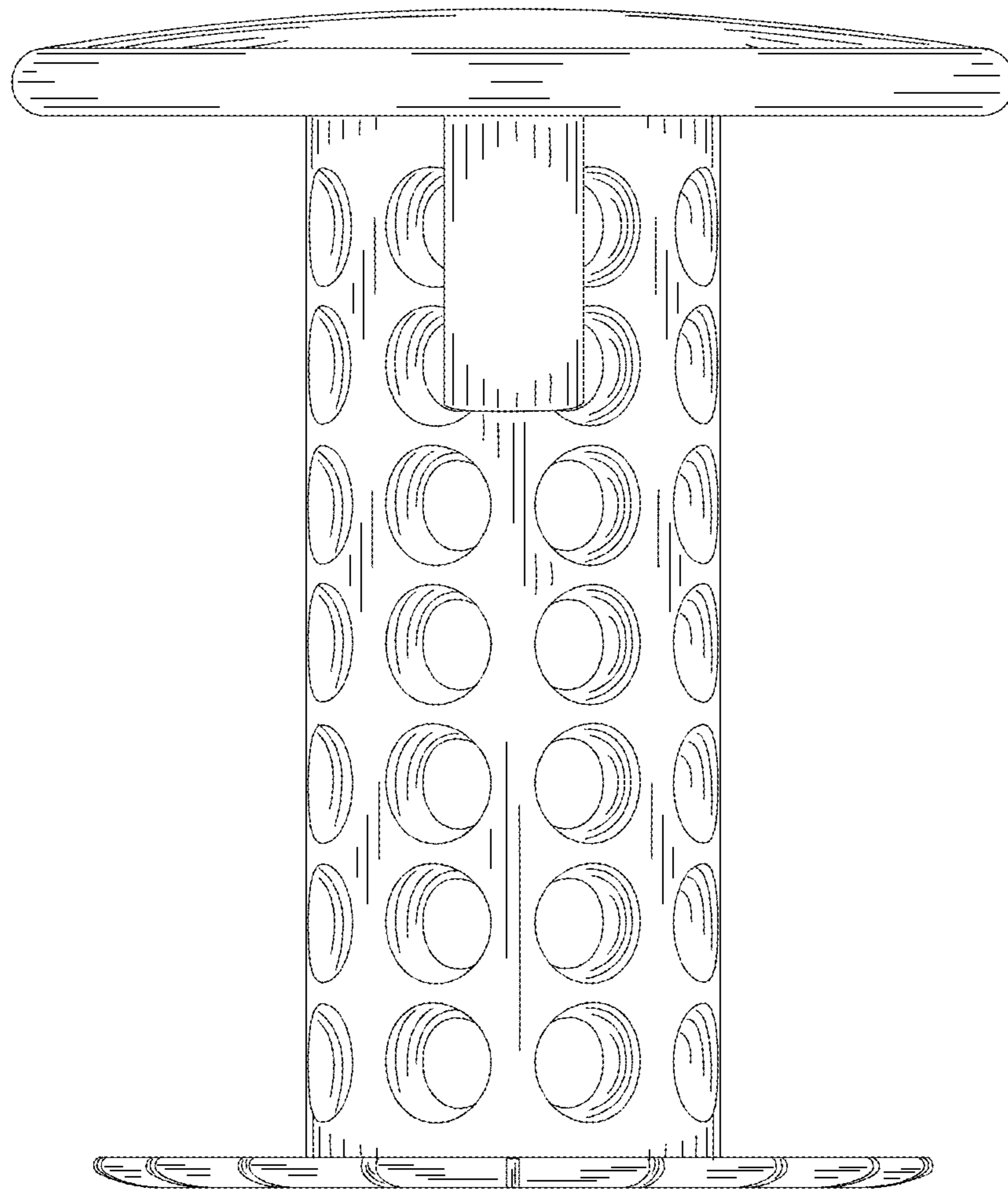


FIG. 9