



US00D814608S

(12) **United States Design Patent** (10) **Patent No.:** **US D814,608 S**
Adey et al. (45) **Date of Patent:** **** Apr. 3, 2018**

(54) **FILTER**

(71) Applicant: **Adey Holdings (2008) Limited**,
Cheltenham (GB)

(72) Inventors: **Christopher Adey**, Cheltenham (GB);
Simon Downie, Cheltenham (GB);
Robert Charles Albrow,
Worcestershire (GB)

(73) Assignee: **ADEY HOLDINGS (2008) LIMITED**,
Cheltenham (GB)

(**) Term: **15 Years**

(21) Appl. No.: **29/570,895**

(22) Filed: **Jul. 13, 2016**

(30) **Foreign Application Priority Data**

Jan. 13, 2016 (GB) 5001078

(51) **LOC (11) Cl.** **23-01**

(52) **U.S. Cl.**
USPC **D23/209**

(58) **Field of Classification Search**
USPC D23/207, 209, 235; 210/223, 512.1
CPC F16L 31/00; F16L 29/007; B04C 5/14
See application file for complete search history.

(56) **References Cited**

U.S. PATENT DOCUMENTS

D302,457 S * 7/1989 Carreau D23/207
D342,987 S * 1/1994 Newhard D23/207

D511,558 S * 11/2005 Lindtveit D23/209
D541,901 S * 5/2007 Baarman D23/207
D644,713 S * 9/2011 Walton D23/209
2014/0069855 A1 3/2014 Adey et al.
2015/0151220 A1 6/2015 Adey et al.
2015/0165448 A1 6/2015 Adey et al.
2015/0290655 A1 10/2015 Adey et al.

* cited by examiner

Primary Examiner — Robin V Webster

(74) *Attorney, Agent, or Firm* — Michael E. Dockins;
Shumaker, Loop & Kendrick, LLP

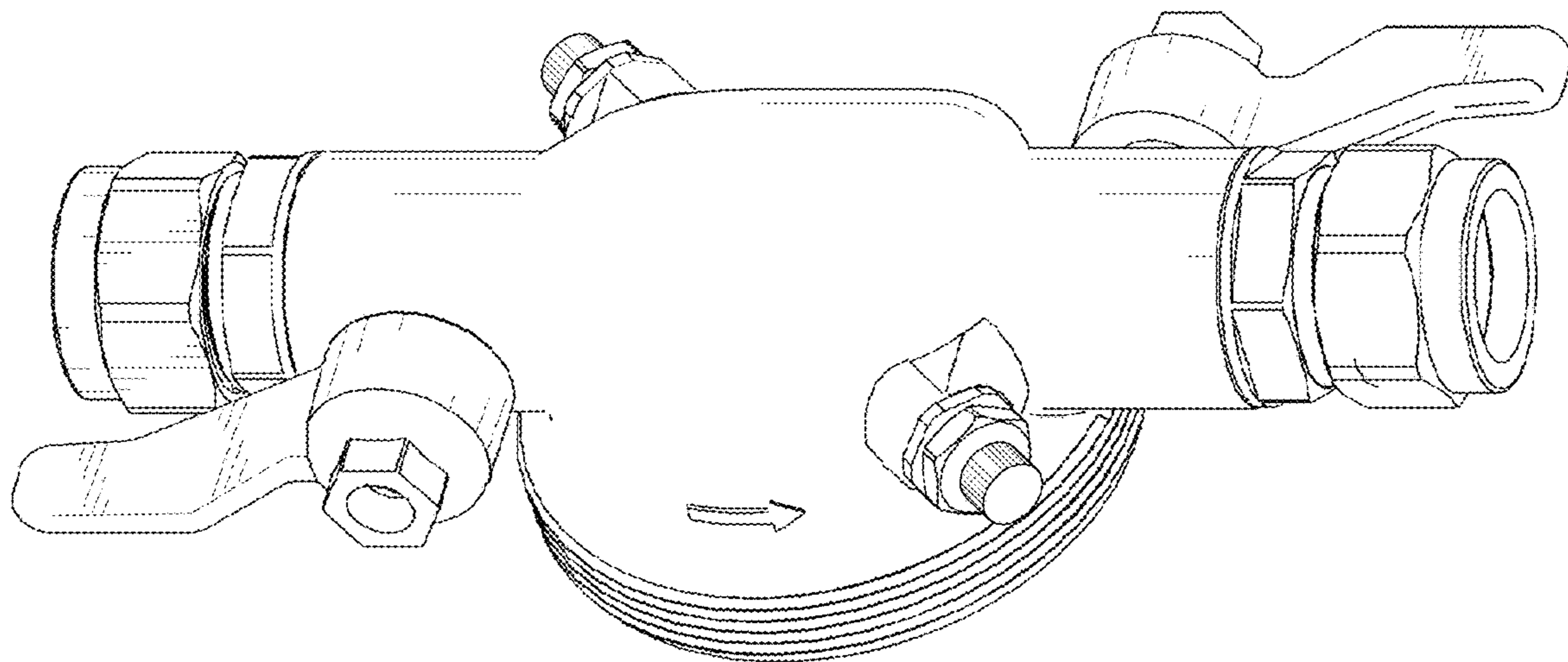
(57) **CLAIM**

The ornamental design for a filter, as shown and described.

DESCRIPTION

FIG. 1 is a top-front perspective view of a filter;
FIG. 2 is a bottom-front perspective view of the filter of FIG. 1;
FIG. 3 is a top plan view thereof;
FIG. 4 is a bottom plan view thereof;
FIG. 5 is a front elevational view thereof;
FIG. 6 is a rear elevational view thereof;
FIG. 7 is a right side elevational view thereof; and,
FIG. 8 is a left side elevational view thereof.
The ornamental design which is claimed is shown in solid lines in the drawings.

1 Claim, 8 Drawing Sheets



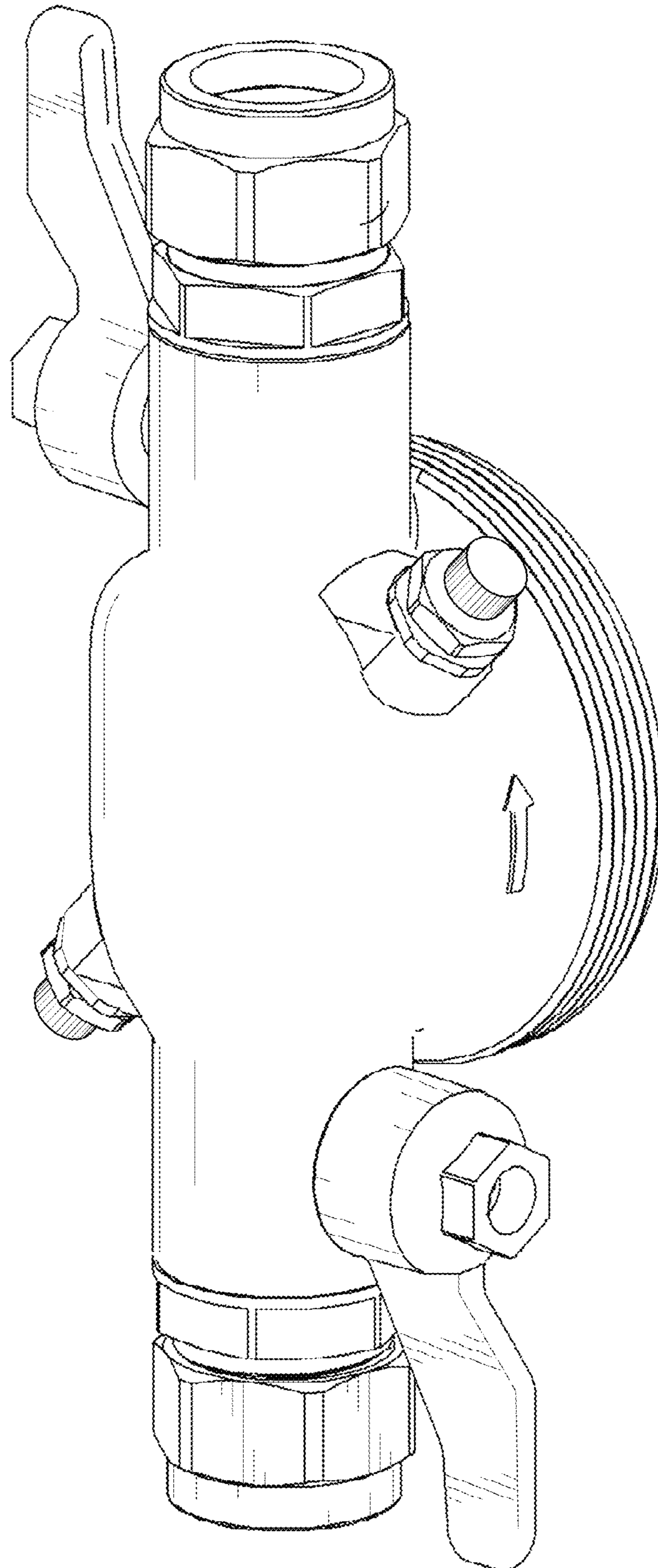


FIG. 1

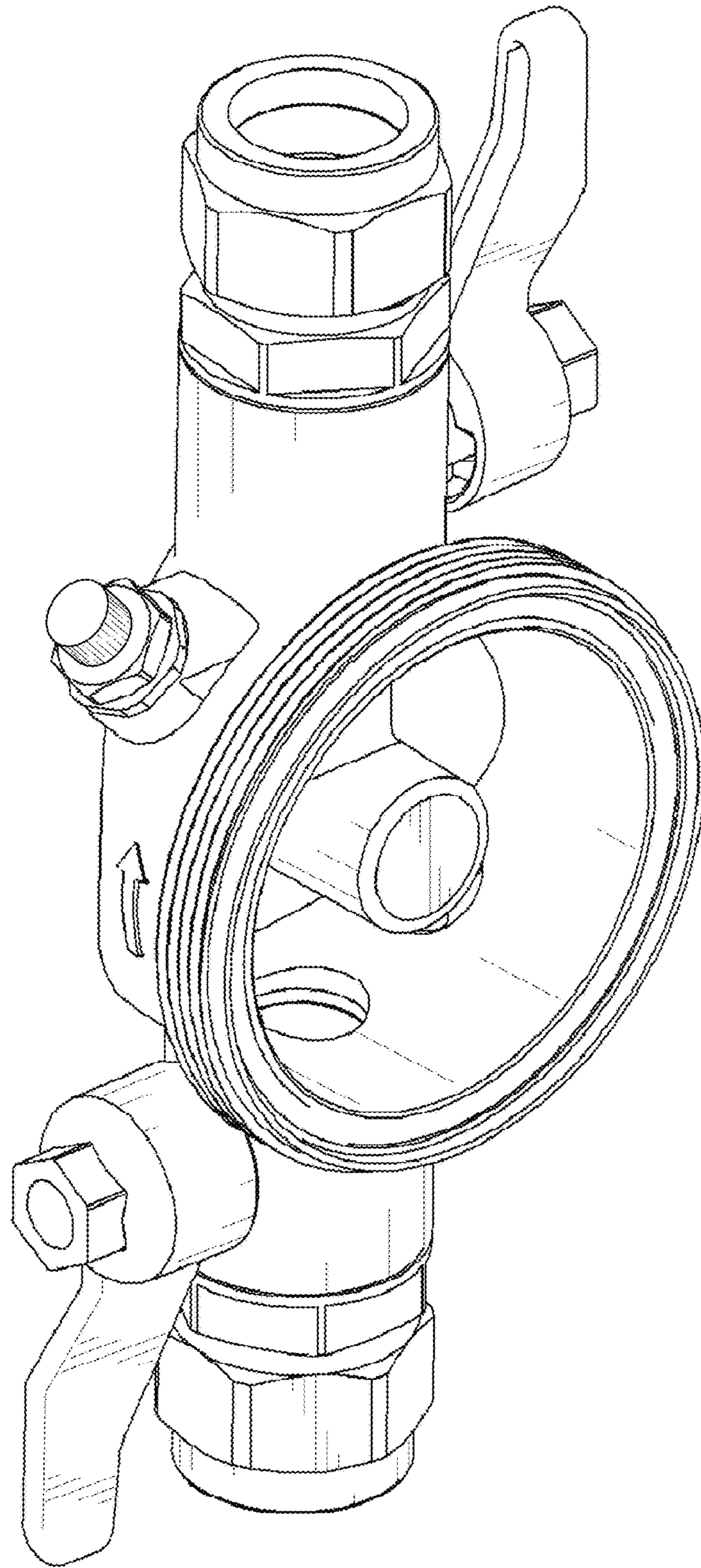


FIG. 2

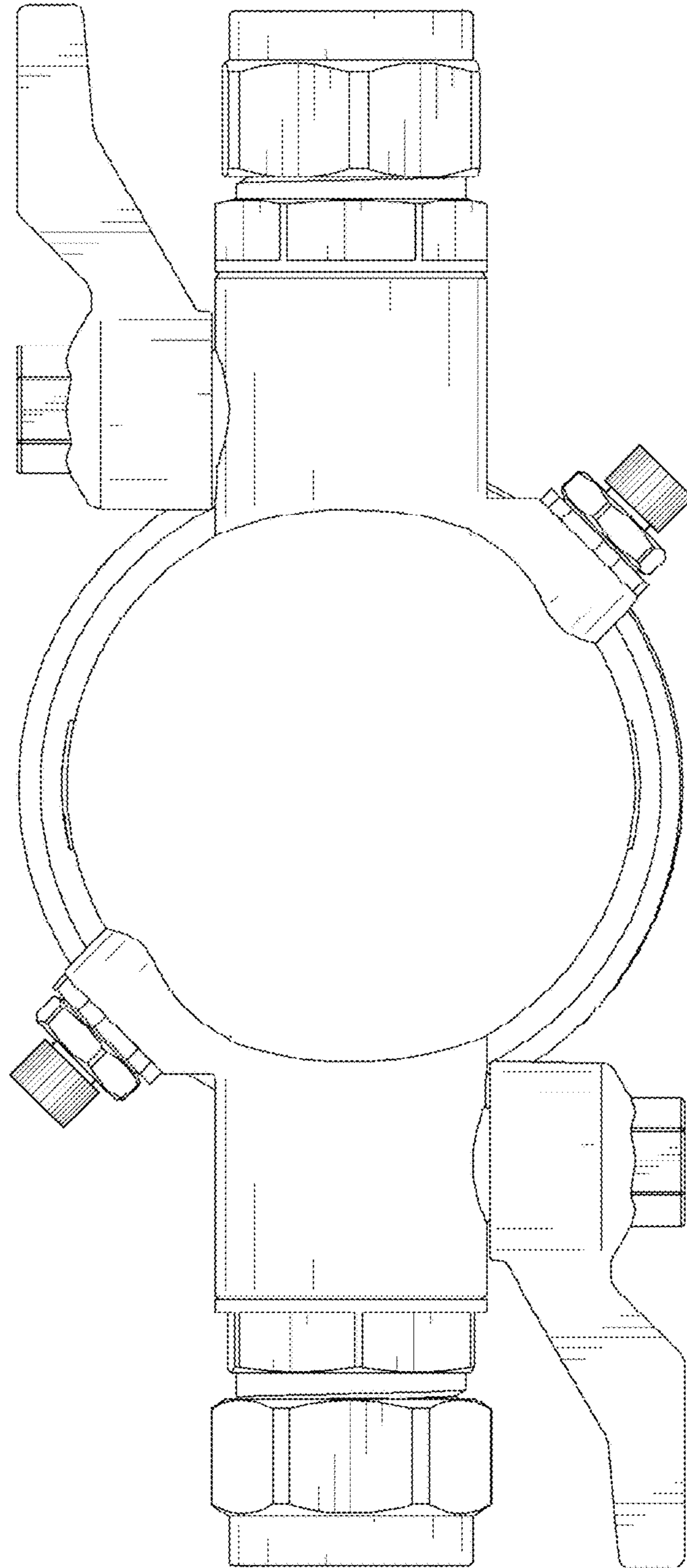


FIG. 3

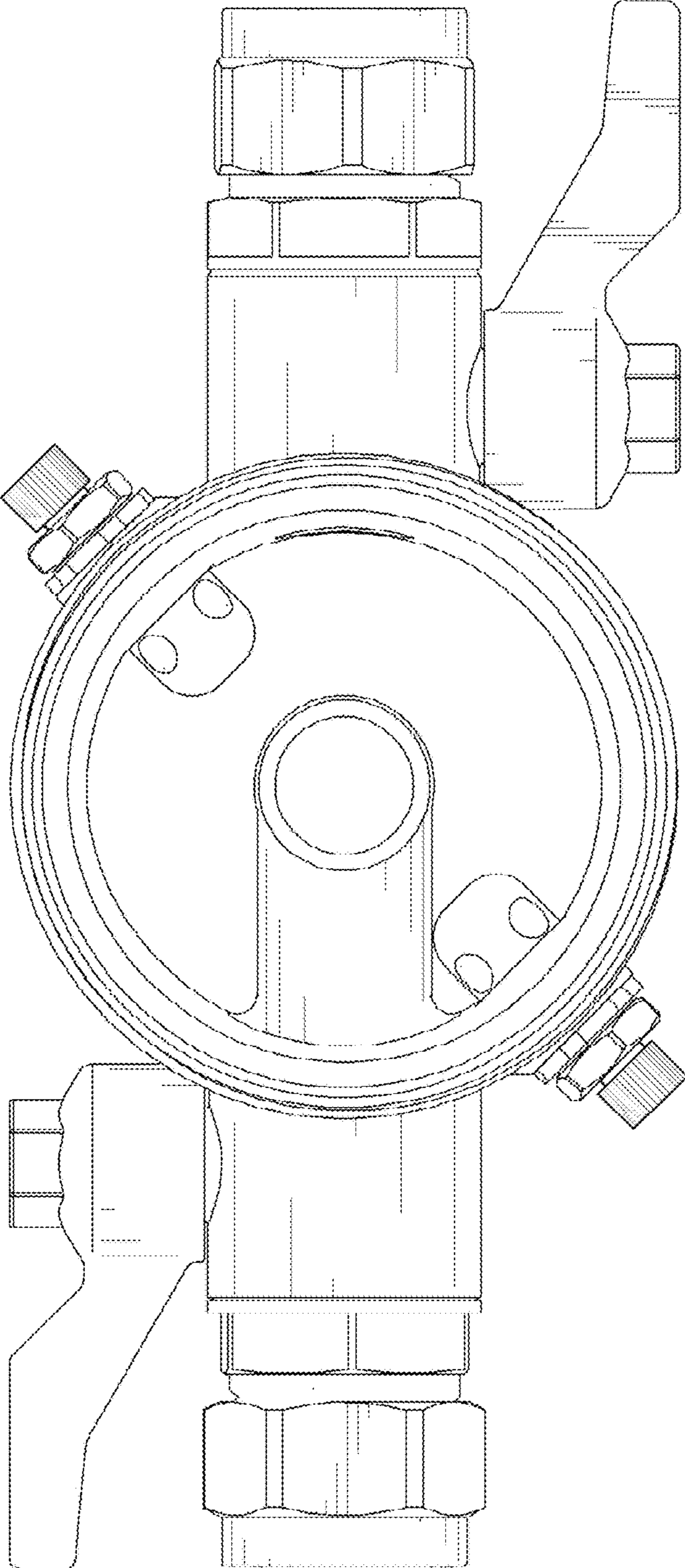


FIG. 4

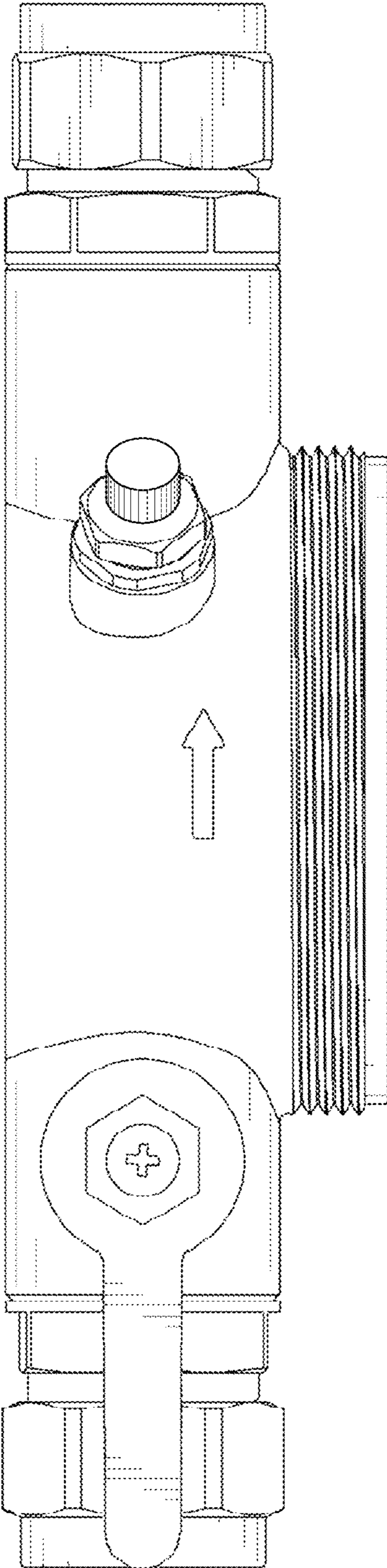


FIG. 5

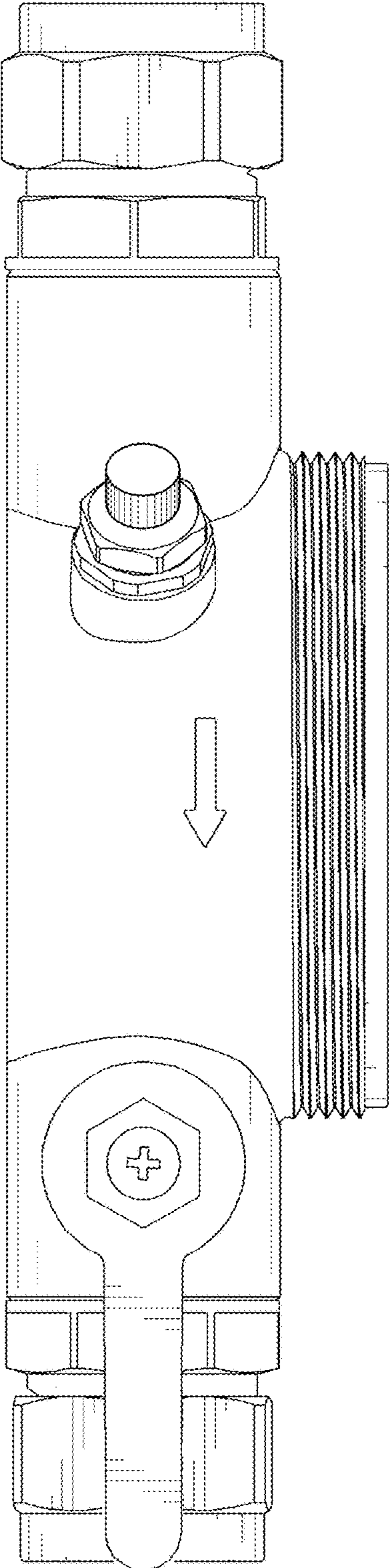


FIG. 6

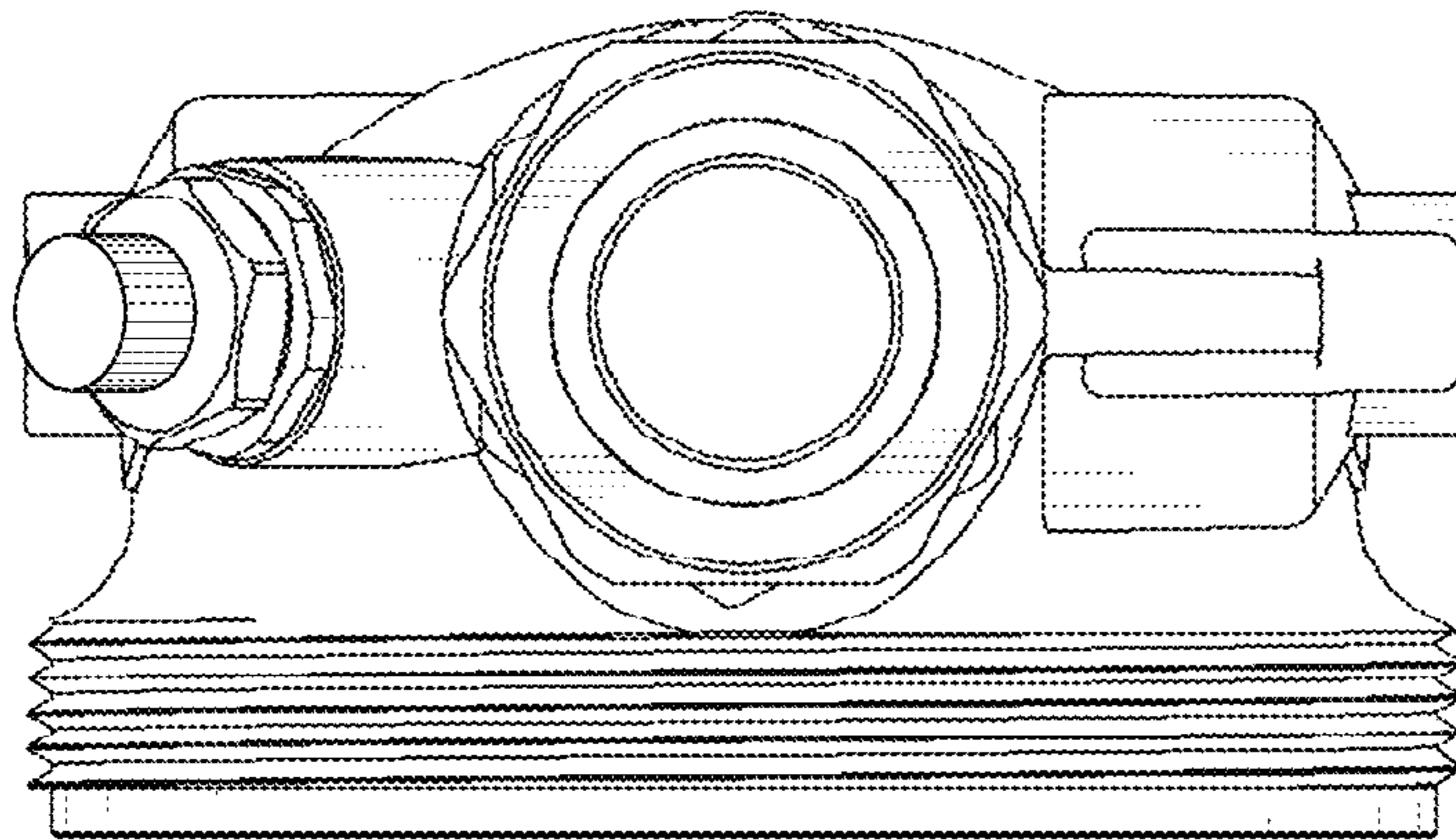


FIG. 7

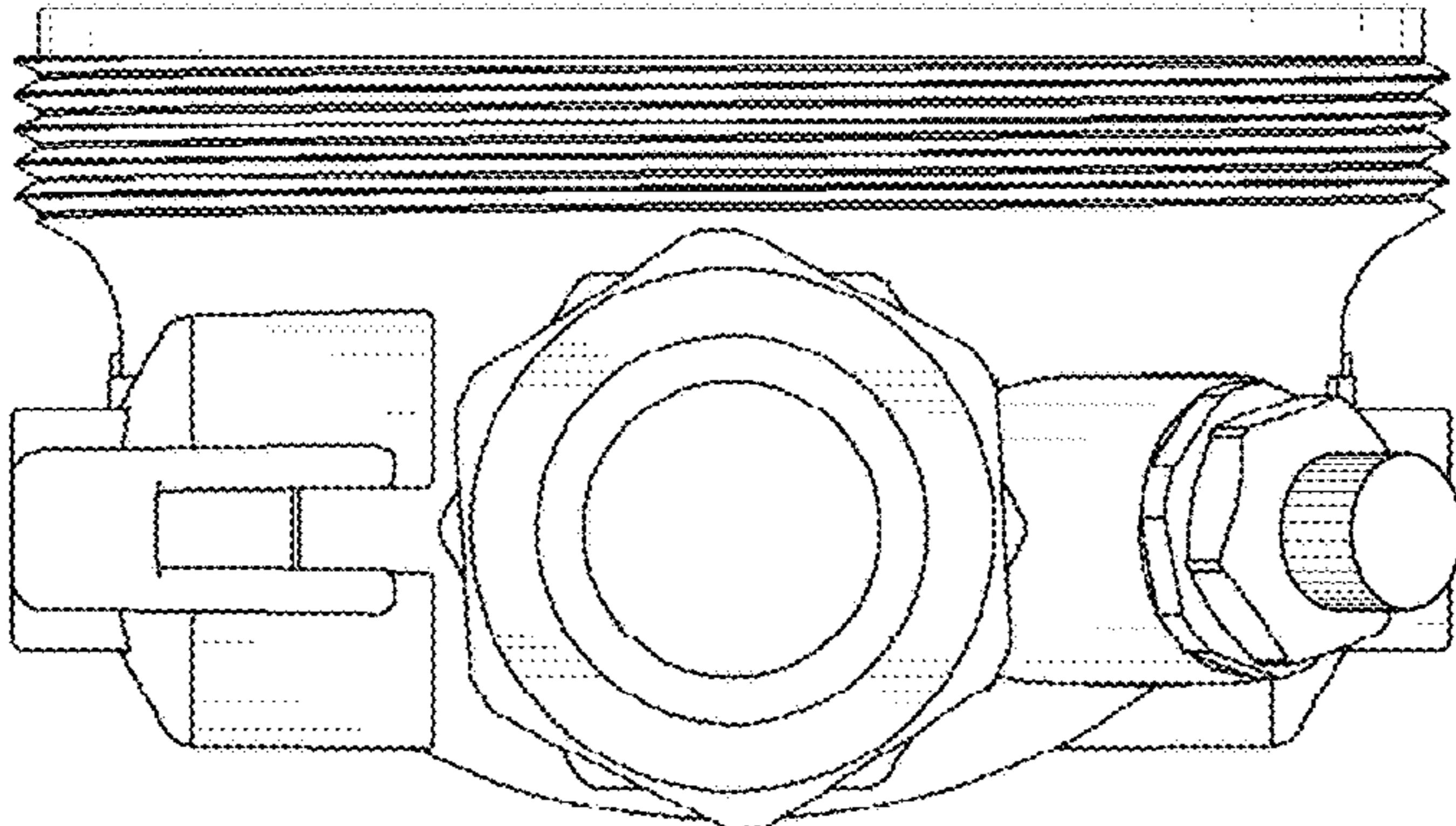


FIG. 8