



US00D814607S

(12) **United States Design Patent**
Kim

(10) **Patent No.:** **US D814,607 S**

(45) **Date of Patent:** **** Apr. 3, 2018**

(54) **FISHING LINE CUTTER**

(71) Applicant: **Il Han Kim**, Daegu (KR)

(72) Inventor: **Il Han Kim**, Daegu (KR)

(**) Term: **15 Years**

(21) Appl. No.: **29/583,957**

(22) Filed: **Nov. 10, 2016**

(30) **Foreign Application Priority Data**

May 13, 2016 (KR) 30-2016-0022702

(51) **LOC (11) Cl.** **22-05**

(52) **U.S. Cl.**
USPC **D22/149**

(58) **Field of Classification Search**
USPC D22/134, 149–150; 43/4, 53.5, 55;
30/175, 189; 7/129–130, 133, 106, 158;
24/545, 555, 560
CPC A22C 25/06; A01K 95/02; A01K 97/00;
A01K 97/04; A01K 97/14; A47G 21/10;
B25B 7/02
See application file for complete search history.

(56) **References Cited**

U.S. PATENT DOCUMENTS

2,653,332 A * 9/1953 Precious A01K 95/02
43/4
2,757,951 A * 8/1956 Benton A22C 25/06
43/4
2,961,670 A * 11/1960 Frame A01K 97/00
30/175
4,965,958 A * 10/1990 Cedergreen A01K 97/00
43/4

5,136,744 A * 8/1992 Allsop A01K 97/00
7/130
5,417,005 A * 5/1995 Hale A01K 97/04
24/545
D369,202 S * 4/1996 Jackson D22/149
D397,406 S * 8/1998 Koblegard D22/149
6,256,923 B1 * 7/2001 Norton A01K 97/14
43/4

* cited by examiner

Primary Examiner — Catherine R Oliver-Garcia
(74) *Attorney, Agent, or Firm* — Paratus Law Group, PLLC

(57) **CLAIM**

The ornamental design for a “fishing line cutter,” as shown and described.

DESCRIPTION

FIG. 1 is a perspective view of a fishing line cutter showing the claimed design;
FIG. 2 is a front view thereof;
FIG. 3 is a rear view thereof;
FIG. 4 is an enlarged left side view thereof;
FIG. 5 is a right side view thereof;
FIG. 6 is a top view thereof;
FIG. 7 is a bottom view thereof;
FIG. 8 is a first reference view showing the claimed design in use;
FIG. 9 is a second reference view showing the claimed design in use; and,
FIG. 10 is a detail view taken from location ‘10’ in FIG. 3. The dash-dot-dash lines represent a boundary line. The remaining broken lines depict environment and are for illustrative purposes only and form no part of the claimed design.

1 Claim, 6 Drawing Sheets

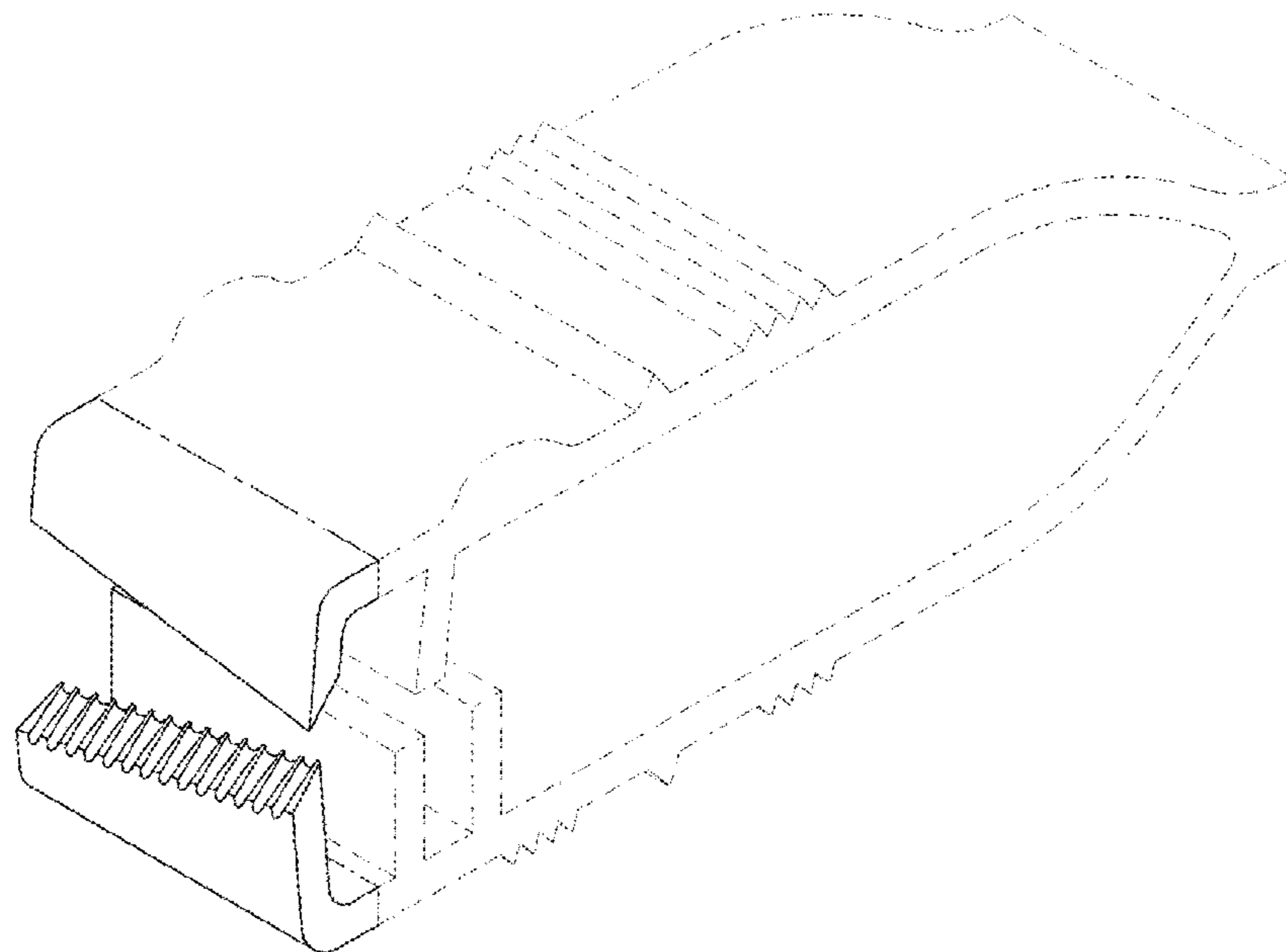


FIG. 1

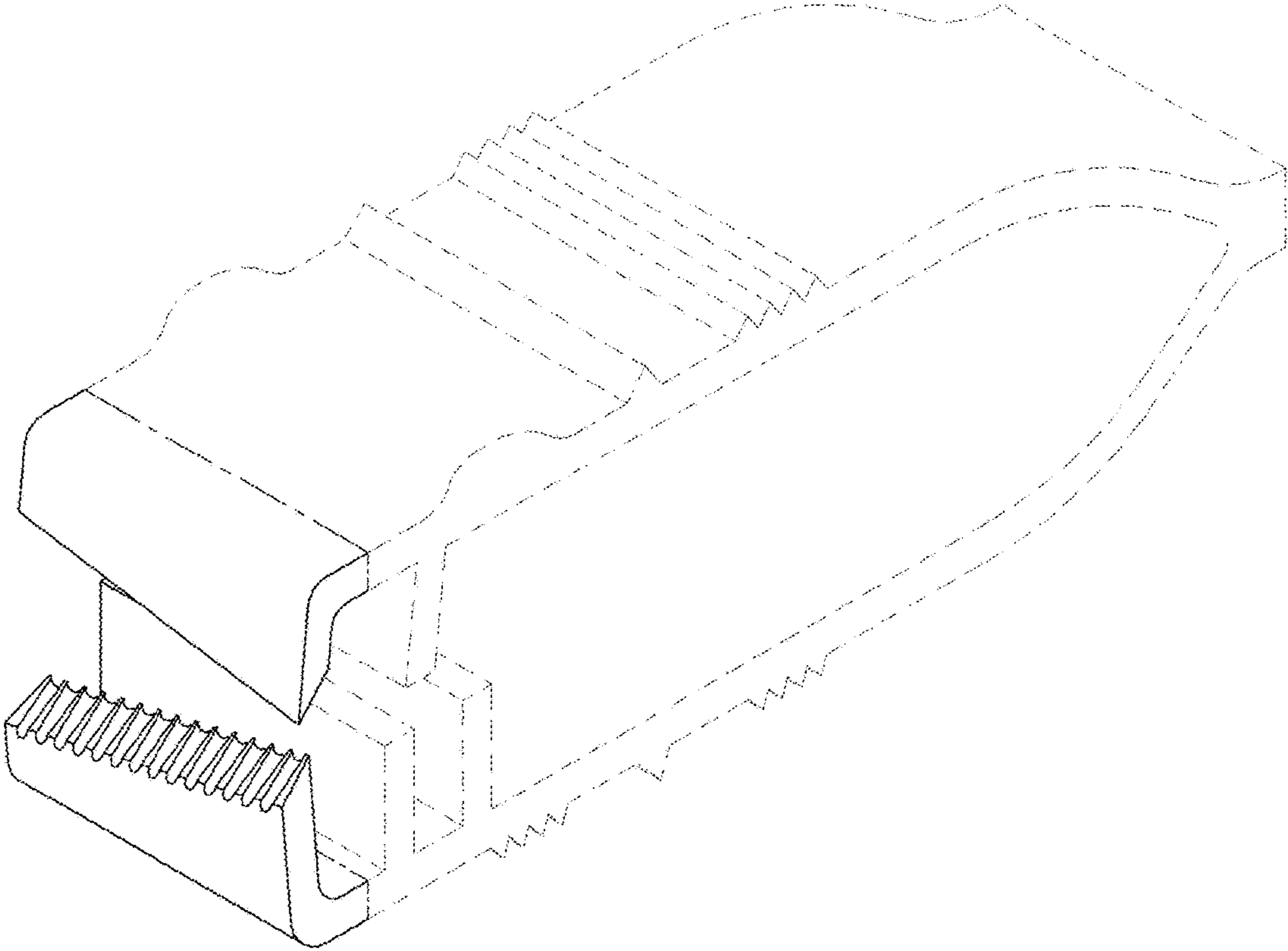


FIG. 2

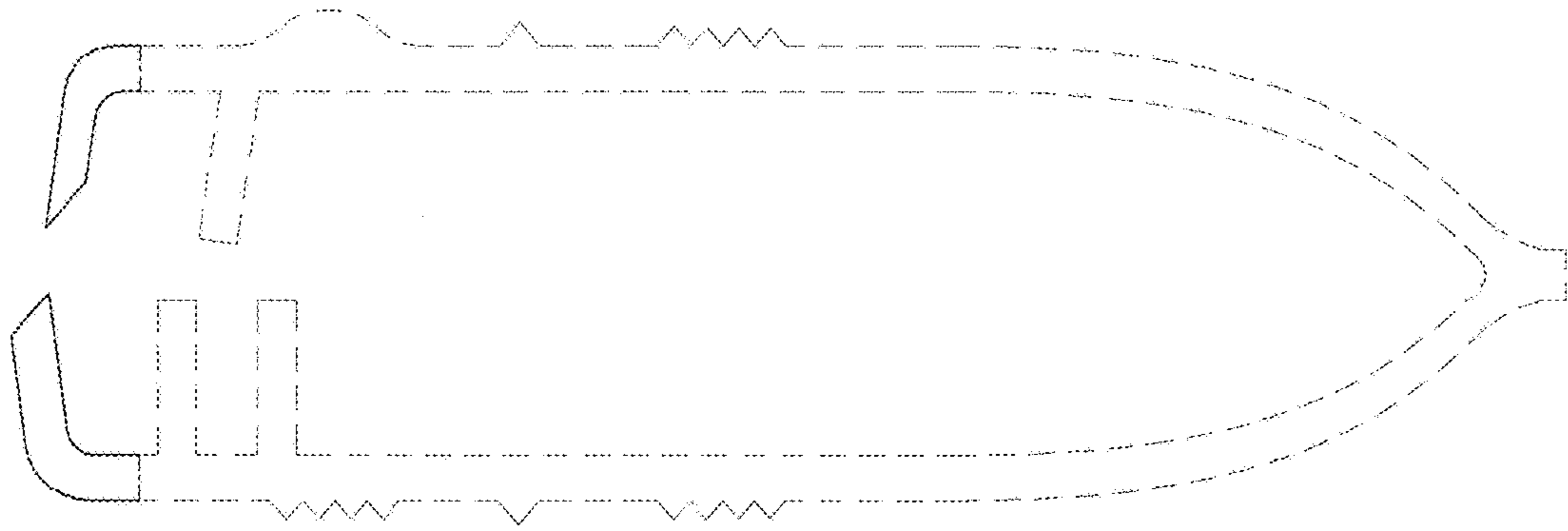


FIG. 3

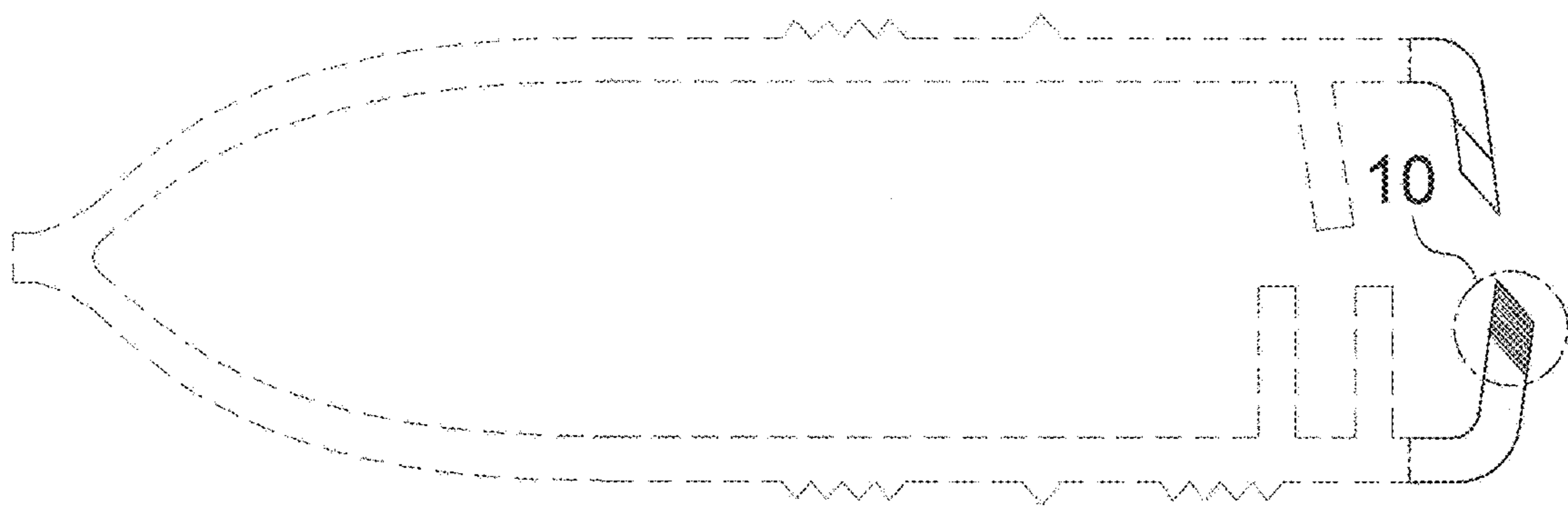


FIG. 4

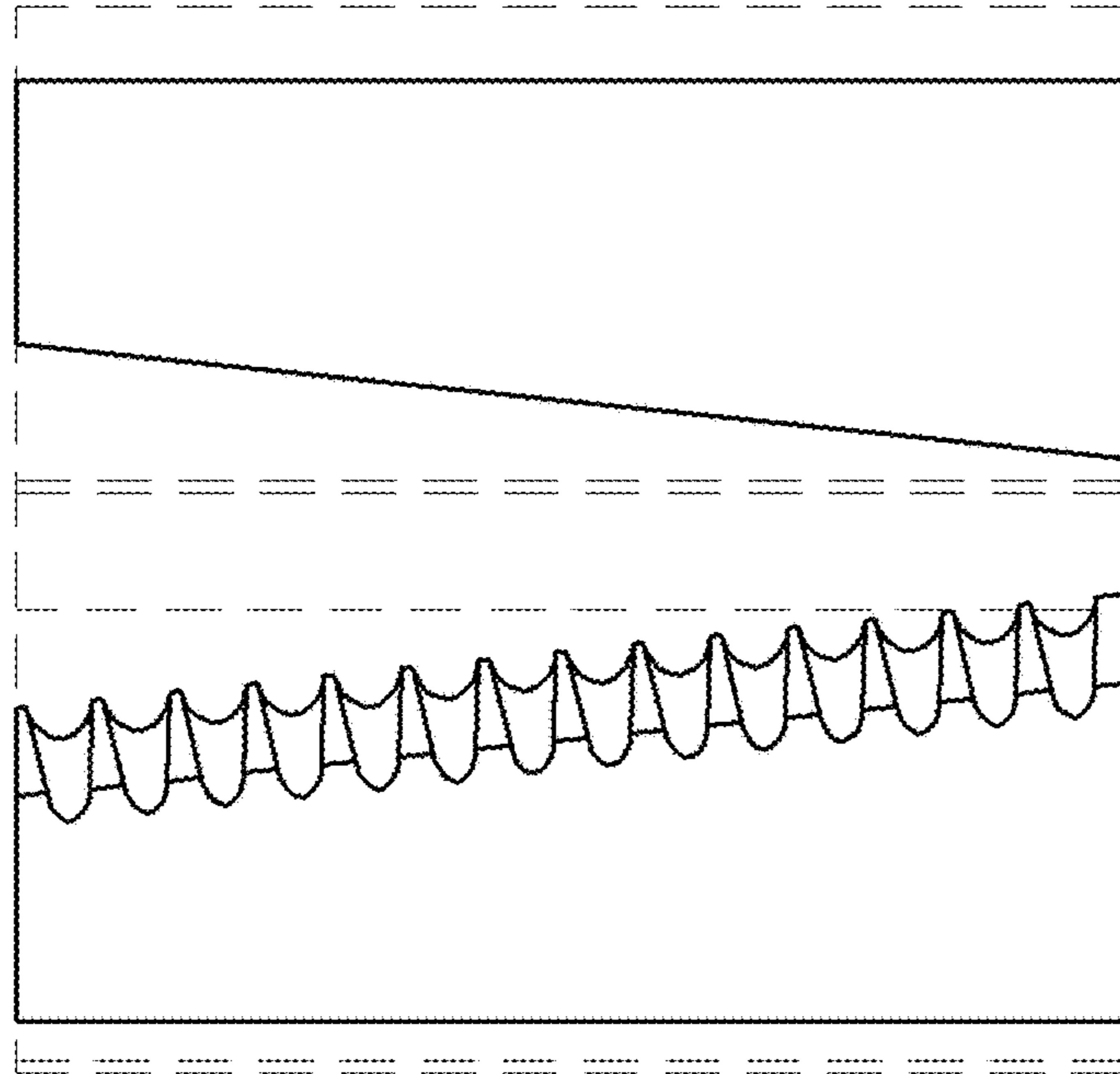


FIG. 5

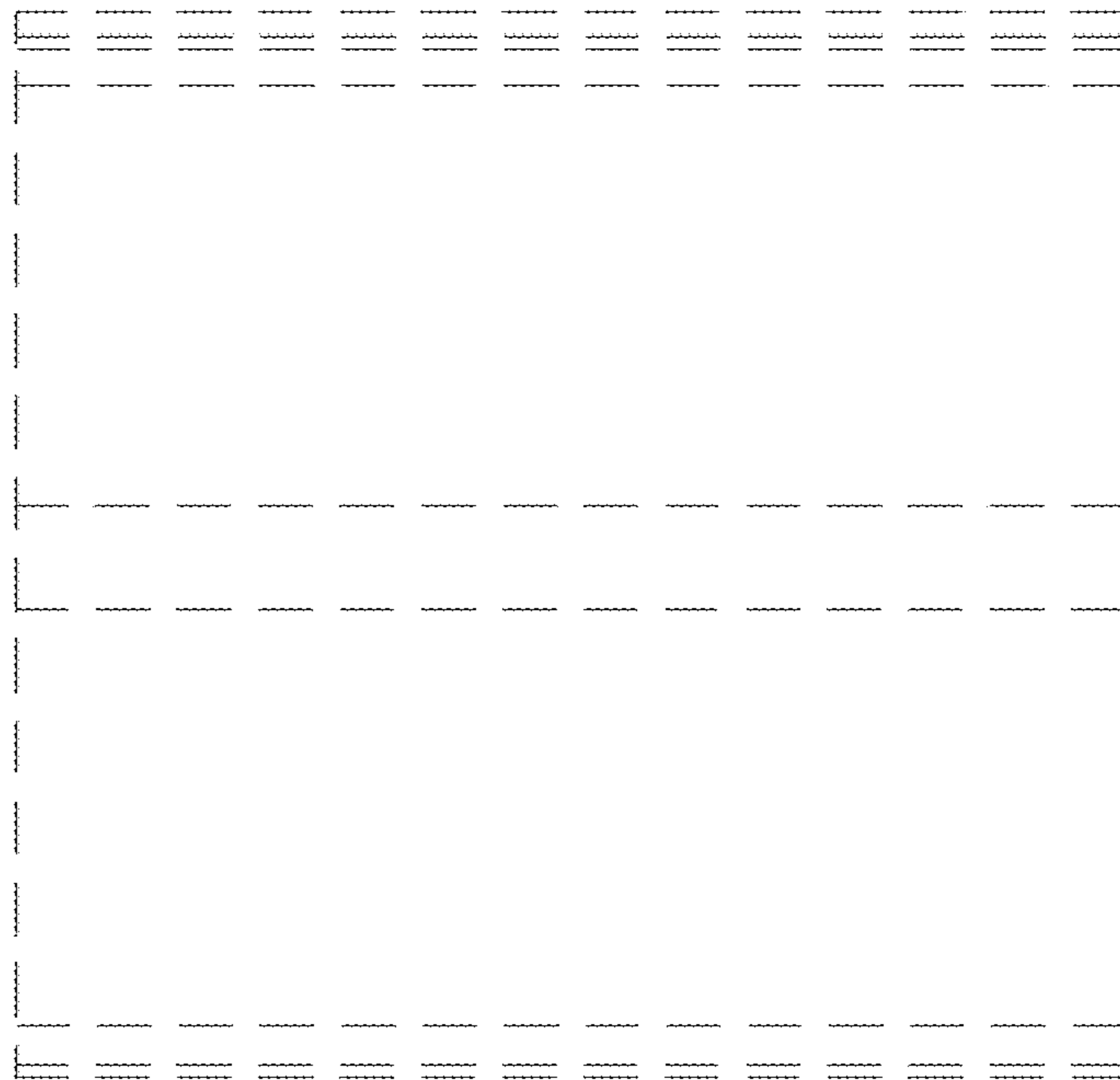


FIG. 6

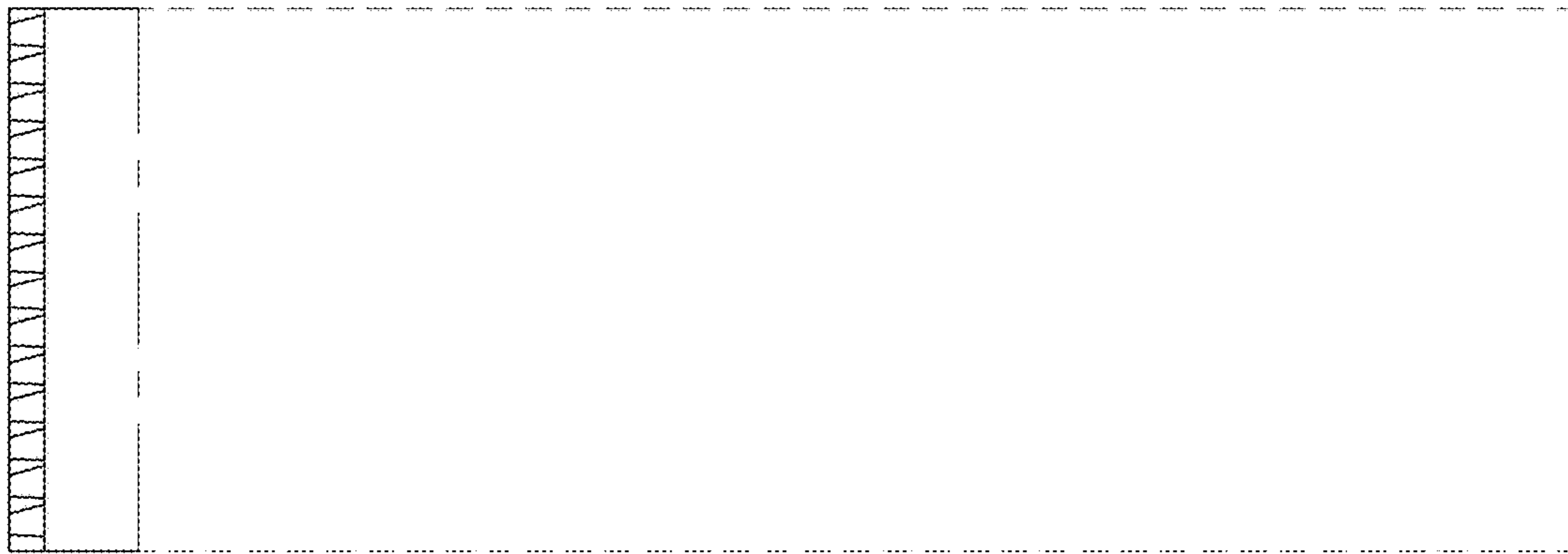


FIG. 7



FIG. 8

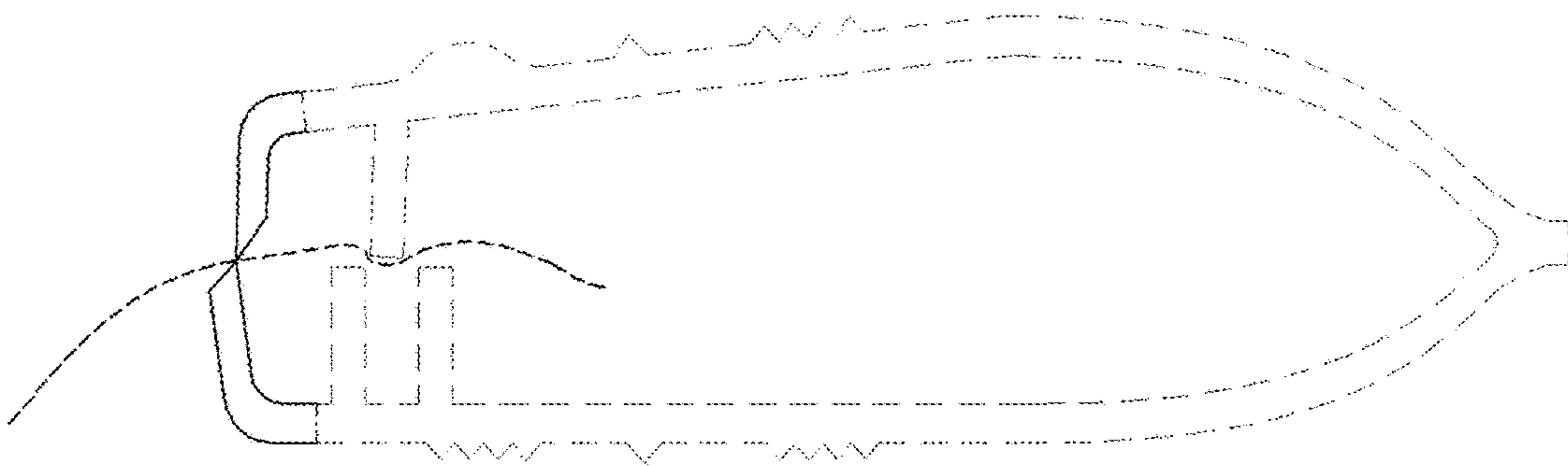


FIG. 9

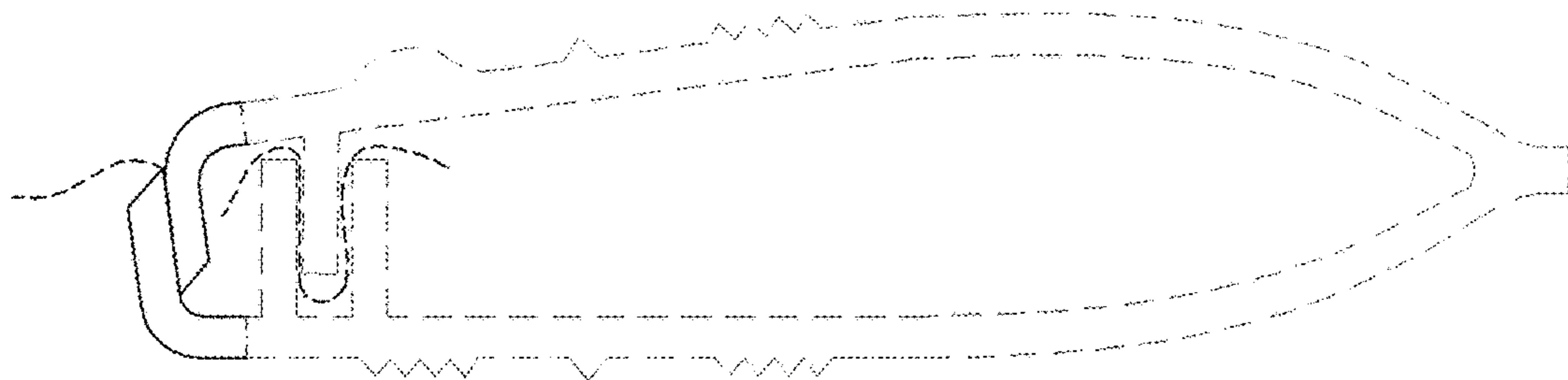


FIG. 10

