



US00D814606S

(12) **United States Design Patent Grant**

(10) **Patent No.:** **US D814,606 S**

(45) **Date of Patent:** **\*\* Apr. 3, 2018**

(54) **FISHING LINE STOPPER TOOL**

(71) Applicant: **Mitchell W. Grant**, Mechanicsville, VA (US)

(72) Inventor: **Mitchell W. Grant**, Mechanicsville, VA (US)

(\*\*) Term: **15 Years**

(21) Appl. No.: **29/571,503**

(22) Filed: **Jul. 19, 2016**

(51) **LOC (11) Cl.** ..... **22-05**

(52) **U.S. Cl.**  
USPC ..... **D22/149**

(58) **Field of Classification Search**  
USPC ..... D22/134, 145, 146, 149, 199; D21/460, D21/461  
CPC ..... A01K 91/04; A01K 97/24  
See application file for complete search history.

(56) **References Cited**

**U.S. PATENT DOCUMENTS**

3,341,965	A *	9/1967	Purcella	.....	A01K 93/00 43/43.11
D219,043	S *	10/1970	De Gelder	.....	D21/460
D322,100	S *	12/1991	Brown	.....	D21/460
D596,264	S *	7/2009	Miller	.....	D22/149
D608,059	S *	1/2010	McNaughton	.....	D22/146
D669,232	S *	10/2012	Chung	.....	D30/152
D691,696	S *	10/2013	Garofalo	.....	D22/145
D780,880	S *	3/2017	Bossi	.....	D22/134

\* cited by examiner

*Primary Examiner* — Karen S Acker

*Assistant Examiner* — Steven B Reinholdt, Jr.

(74) *Attorney, Agent, or Firm* — John H. Thomas, P.C.

(57) **CLAIM**

The ornamental design for a fishing line stopper tool, as shown and described.

**DESCRIPTION**

FIG. 1 is a perspective view of a fishing line stopper tool according to the design herein.

FIG. 2 is a front view of the fishing line stopper tool shown in FIG. 1.

FIG. 3 is a rear view of the fishing line stopper tool shown in FIG. 1.

FIG. 4 is a right side view of the fishing line stopper tool shown in FIG. 1.

FIG. 5 is a left side view of the fishing line stopper tool shown in FIG. 1.

FIG. 6 is a top view of the fishing line stopper tool shown in FIG. 1.

FIG. 7 is a bottom view of the fishing line stopper tool shown in FIG. 1.

FIG. 8 is a perspective view of an alternative embodiment of fishing line stopper tool according to the design herein.

FIG. 9 is a front view of an alternative embodiment of the fishing line stopper tool shown in FIG. 8.

FIG. 10 is a rear view of an alternative embodiment of the fishing line stopper tool shown in FIG. 8.

FIG. 11 is a right side view of an alternative embodiment of the fishing line stopper tool shown in FIG. 8.

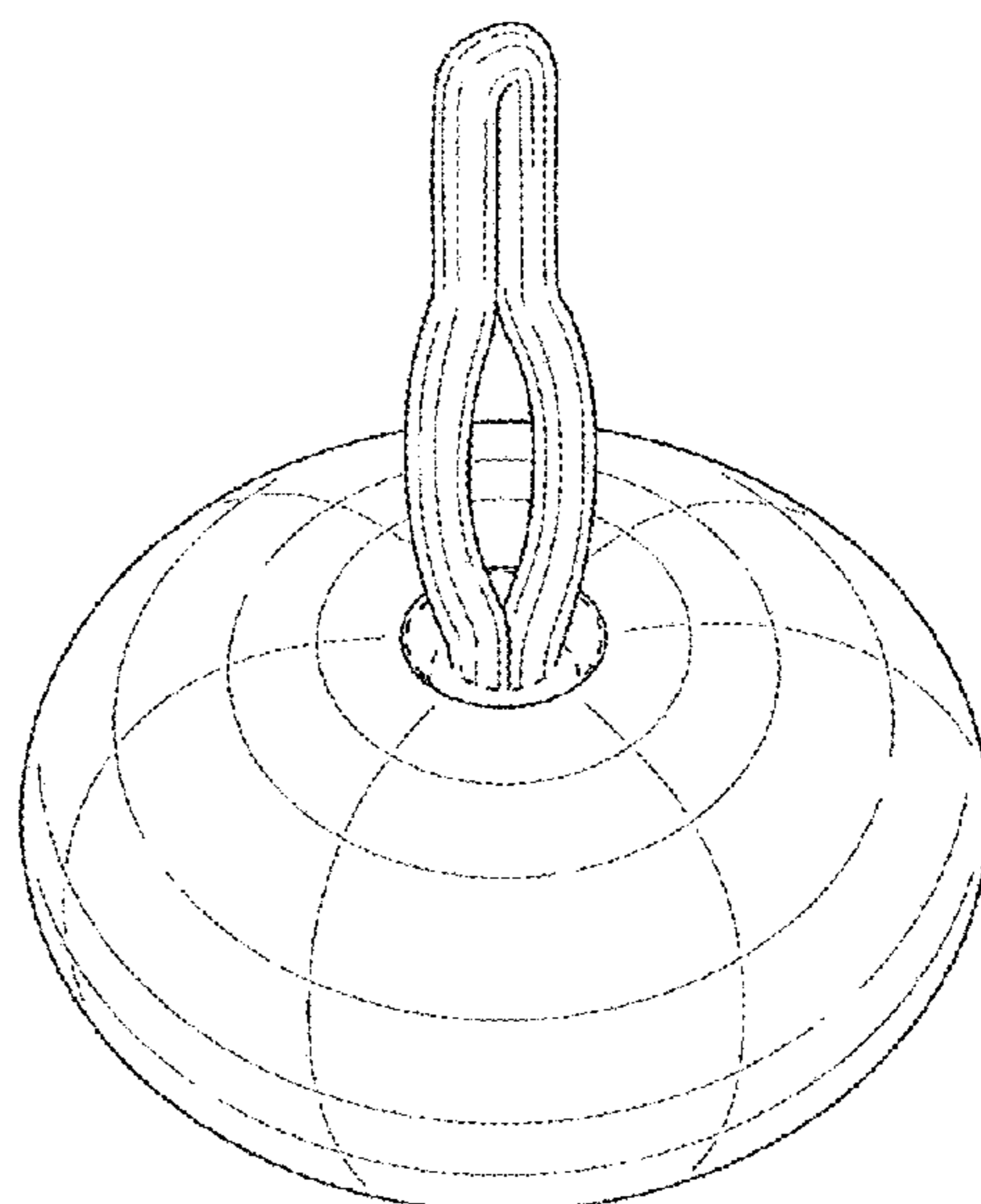
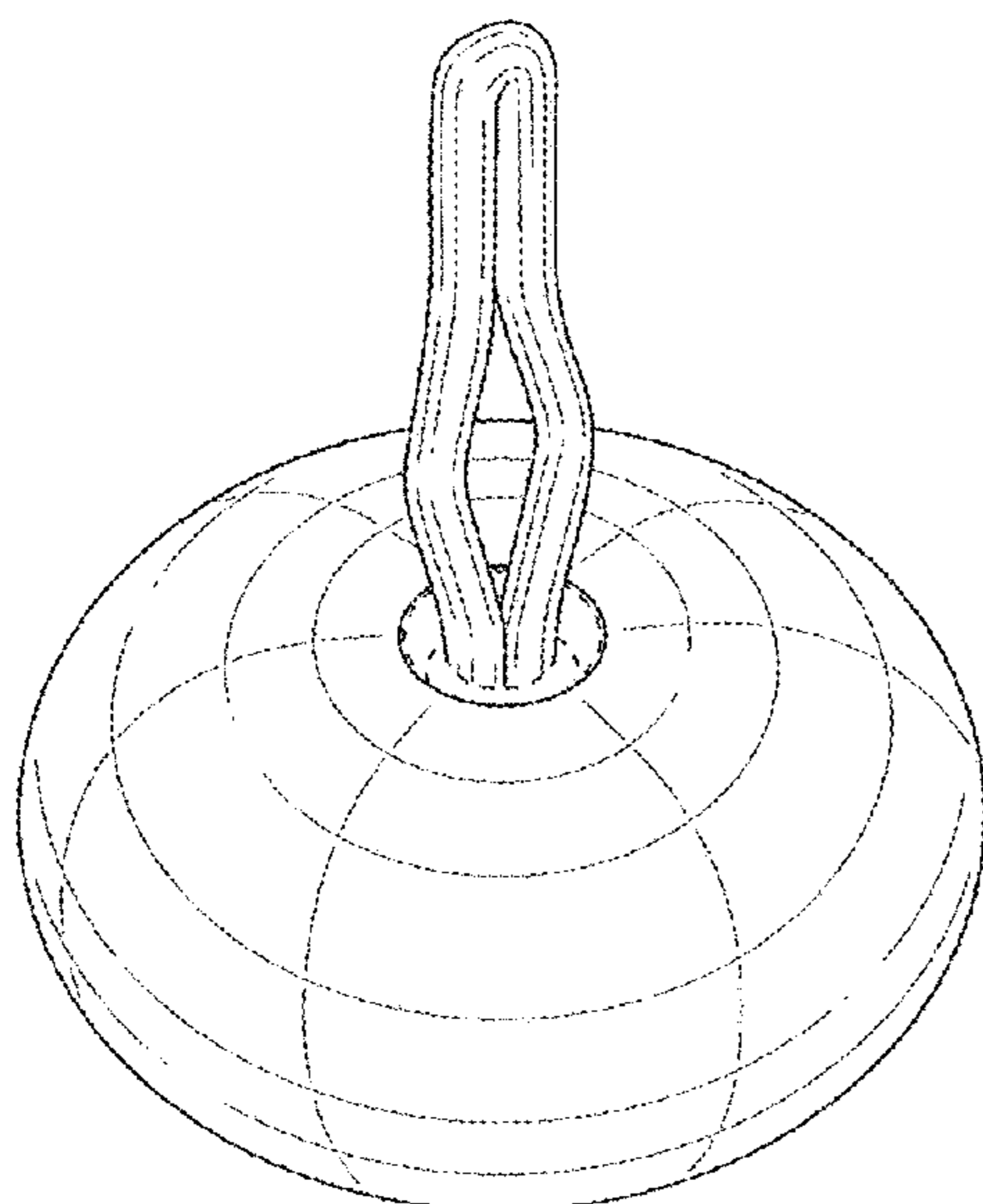
FIG. 12 is a left side view of an alternative embodiment of the fishing line stopper tool shown in FIG. 8.

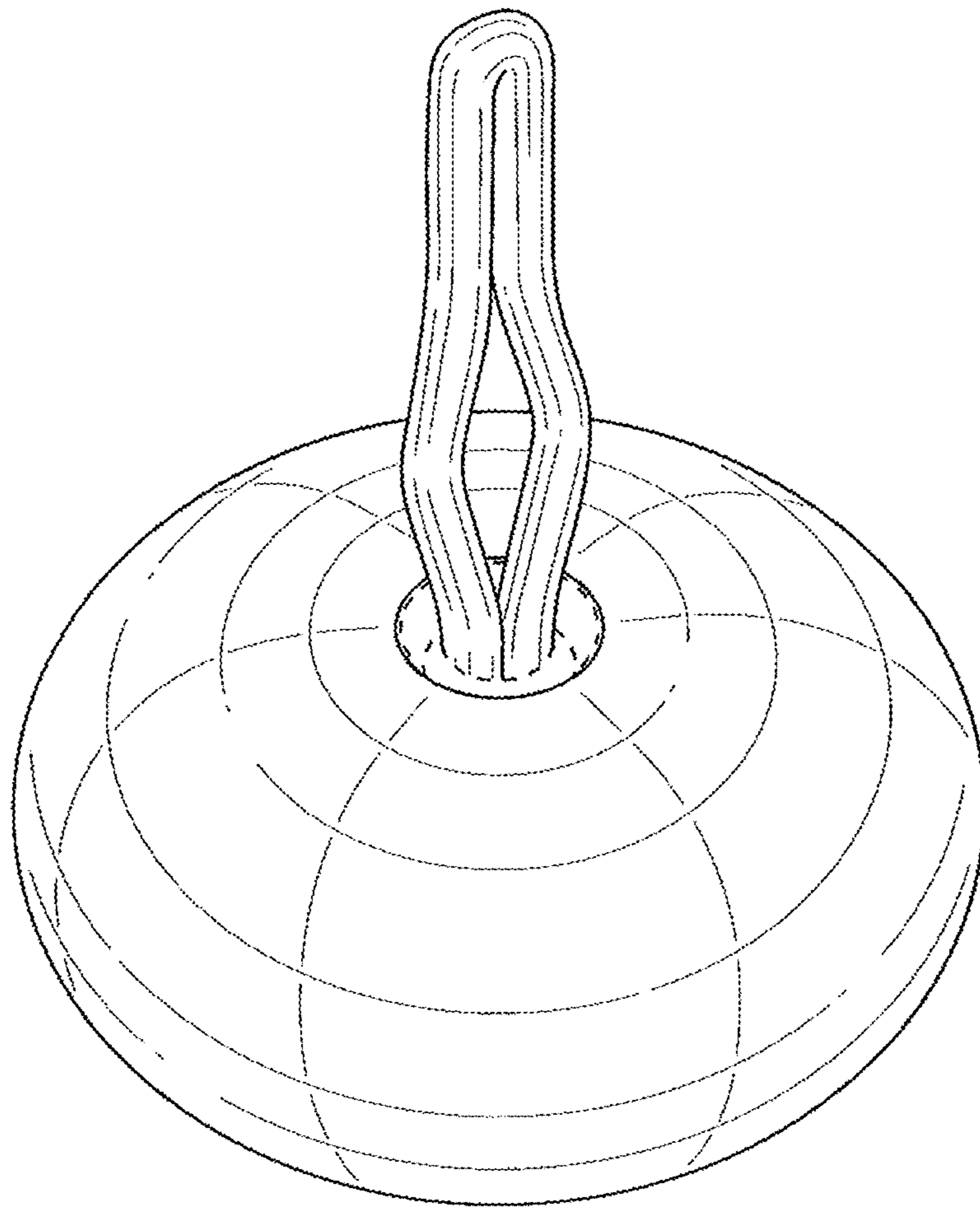
FIG. 13 is a top view of an alternative embodiment of the fishing line stopper tool shown in FIG. 8; and,

FIG. 14 is a bottom view of an alternative embodiment of the fishing line stopper tool shown in FIG. 8.

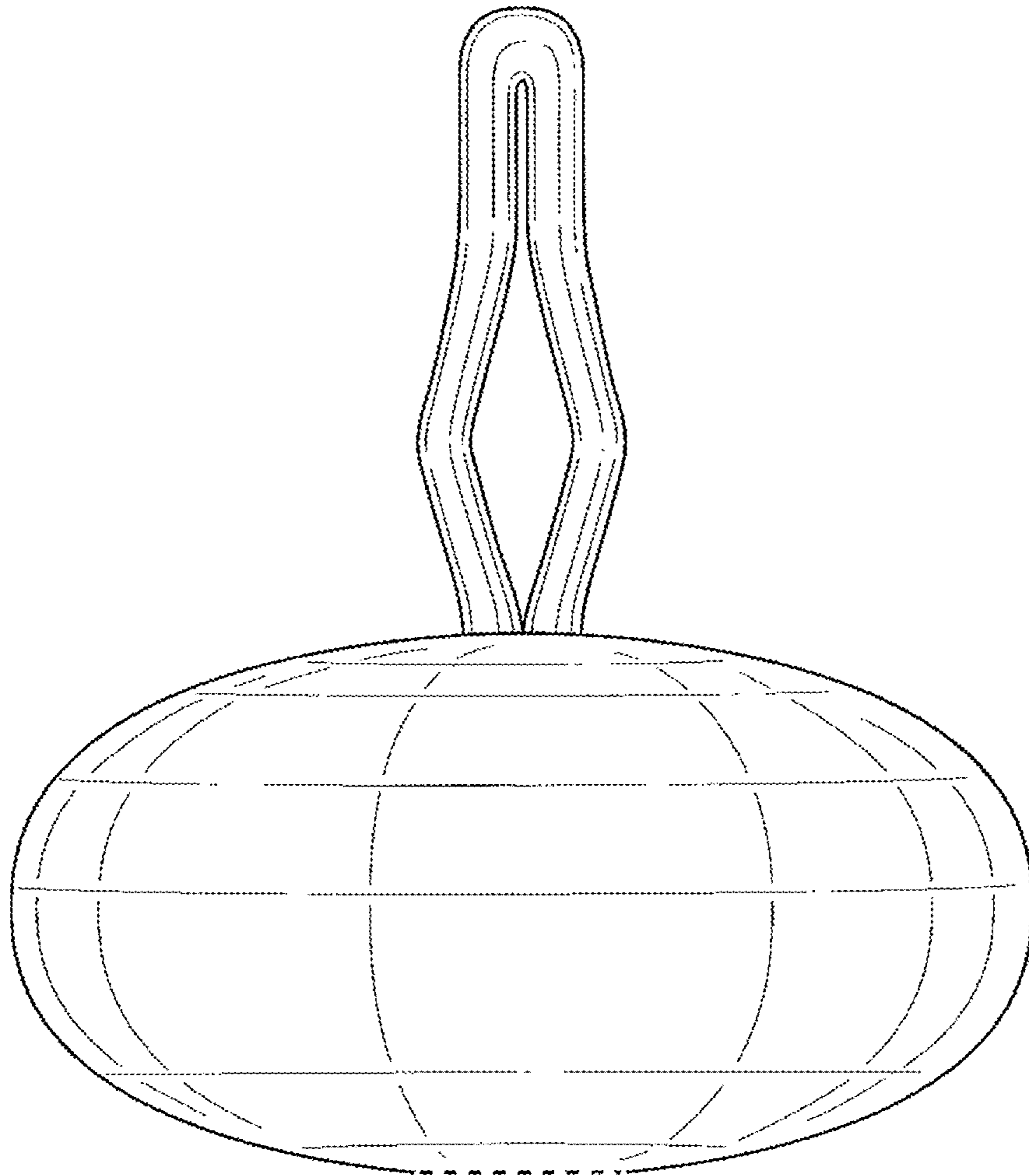
The broken lines that are included in the figures of the drawings denote aspects of the tool that form no part of the claimed design.

**1 Claim, 14 Drawing Sheets**

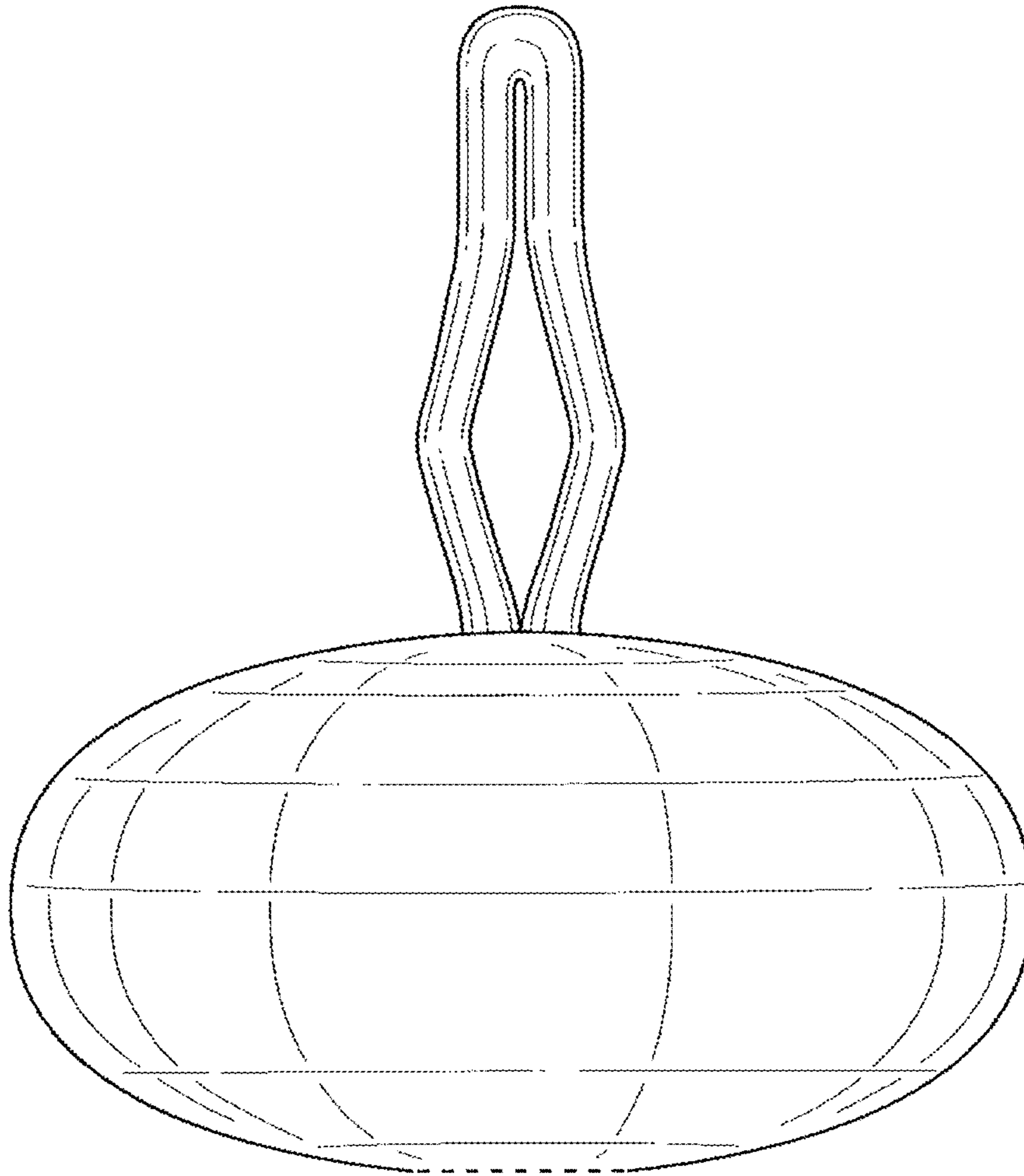




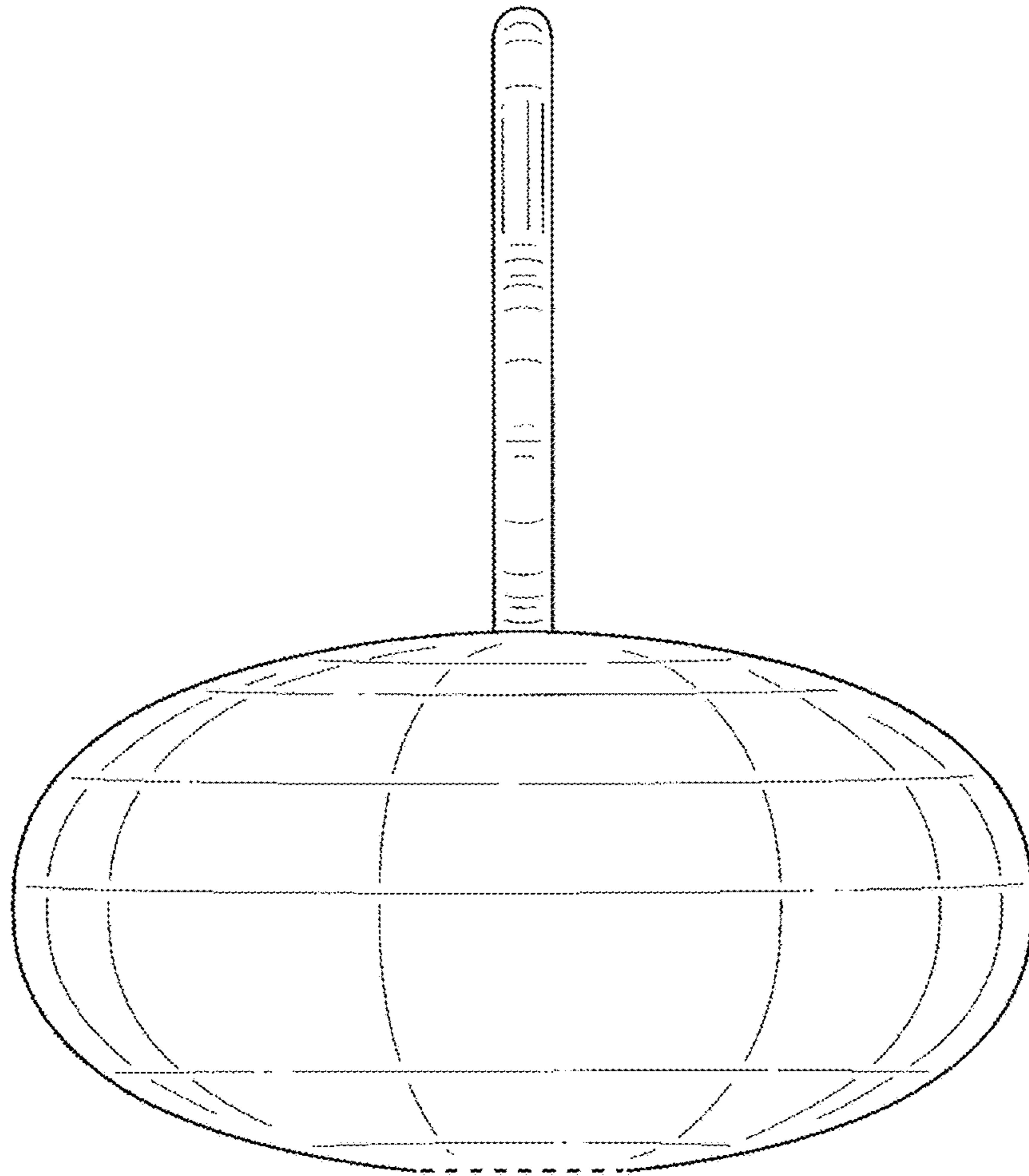
**FIG. 1**



**FIG. 2**

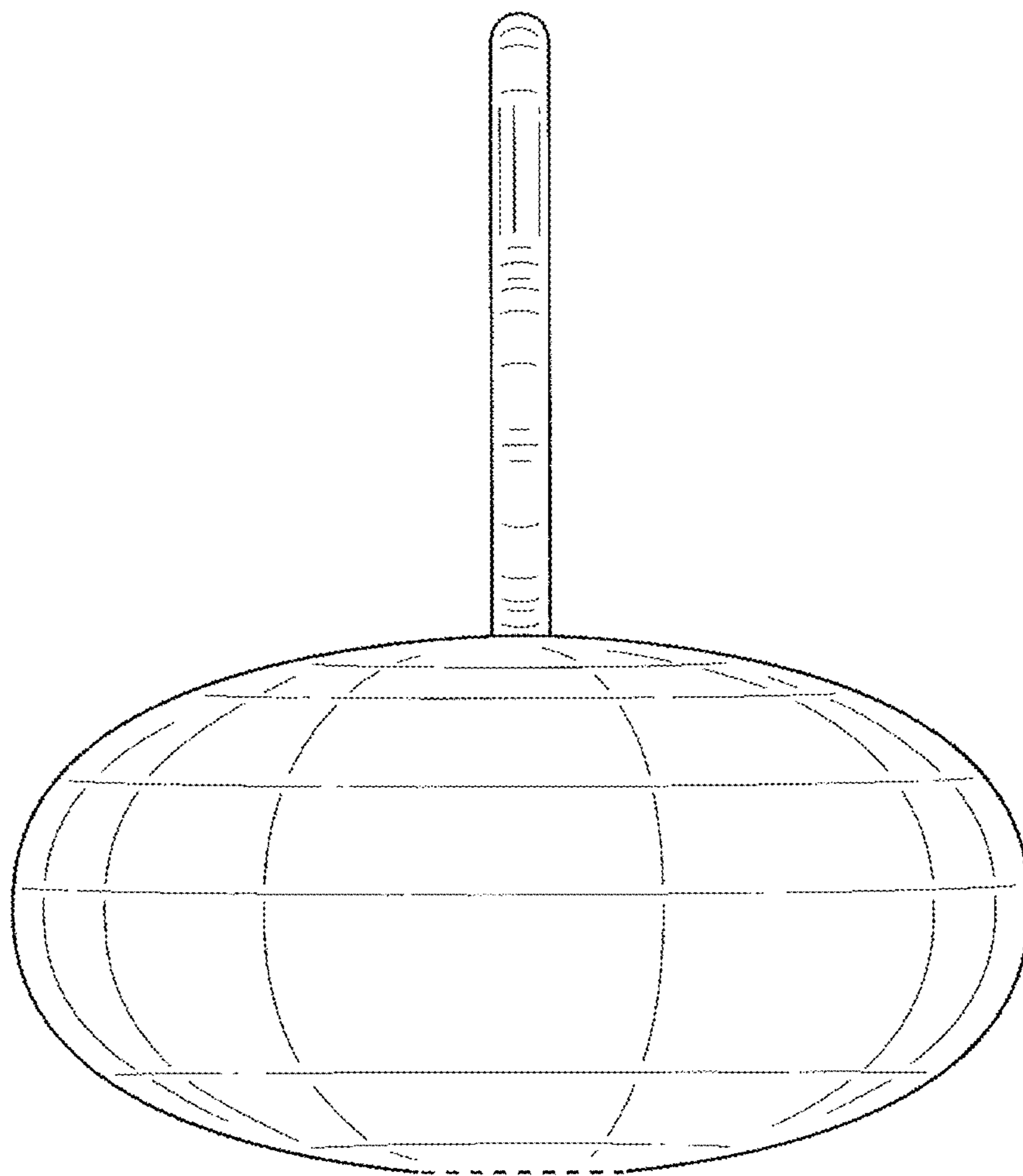


**FIG. 3**

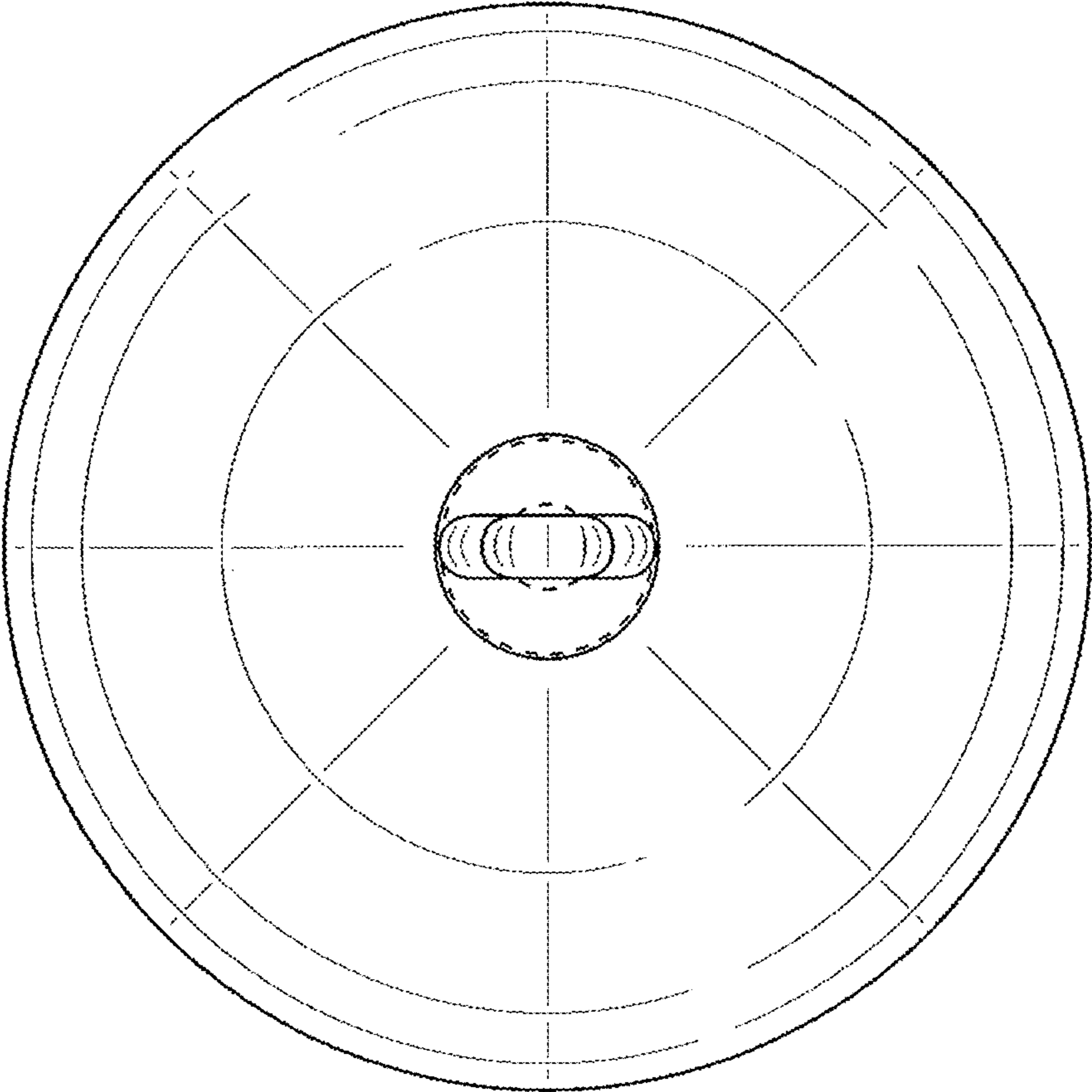


**FIG. 4**

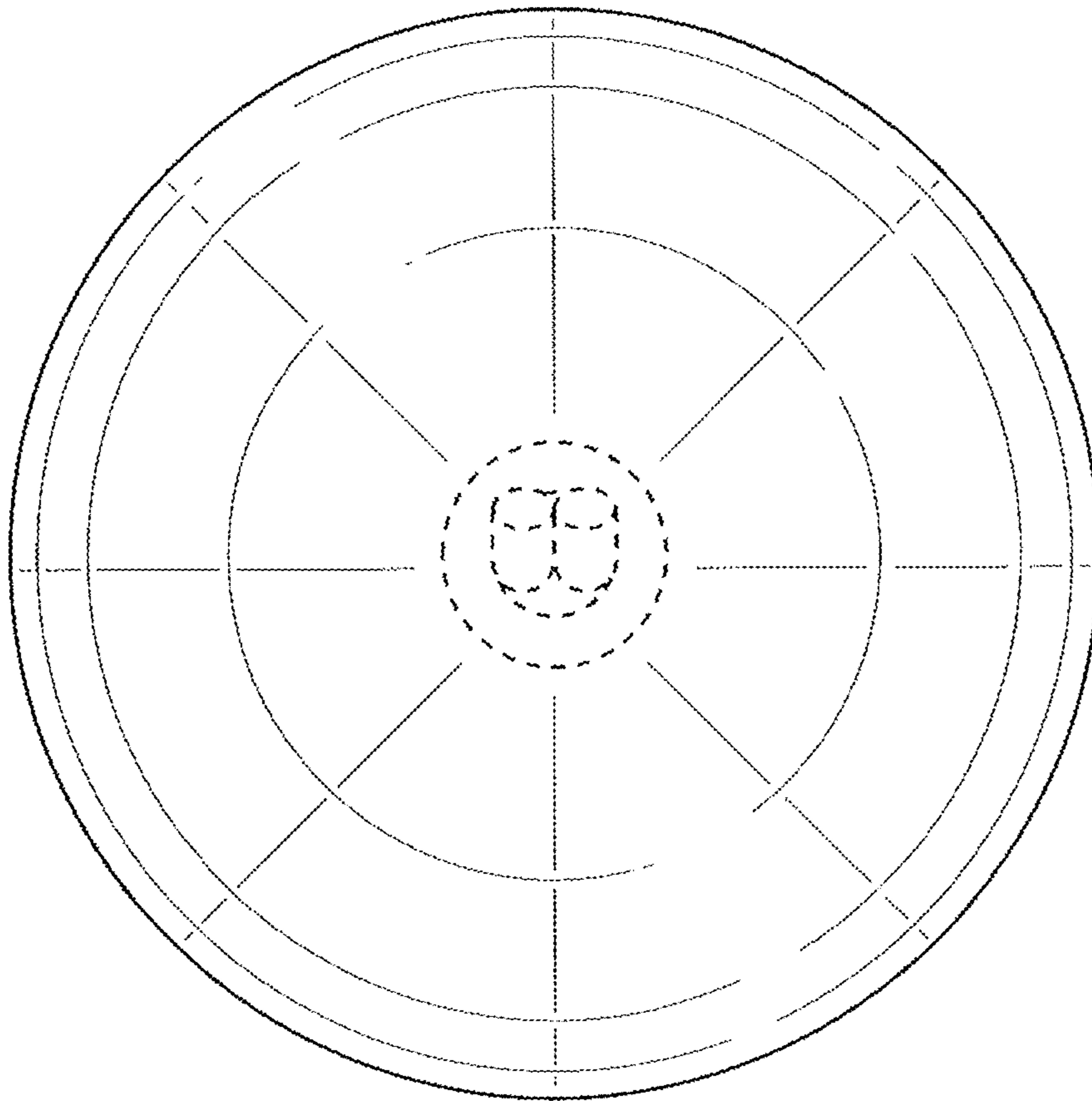




**FIG. 5**

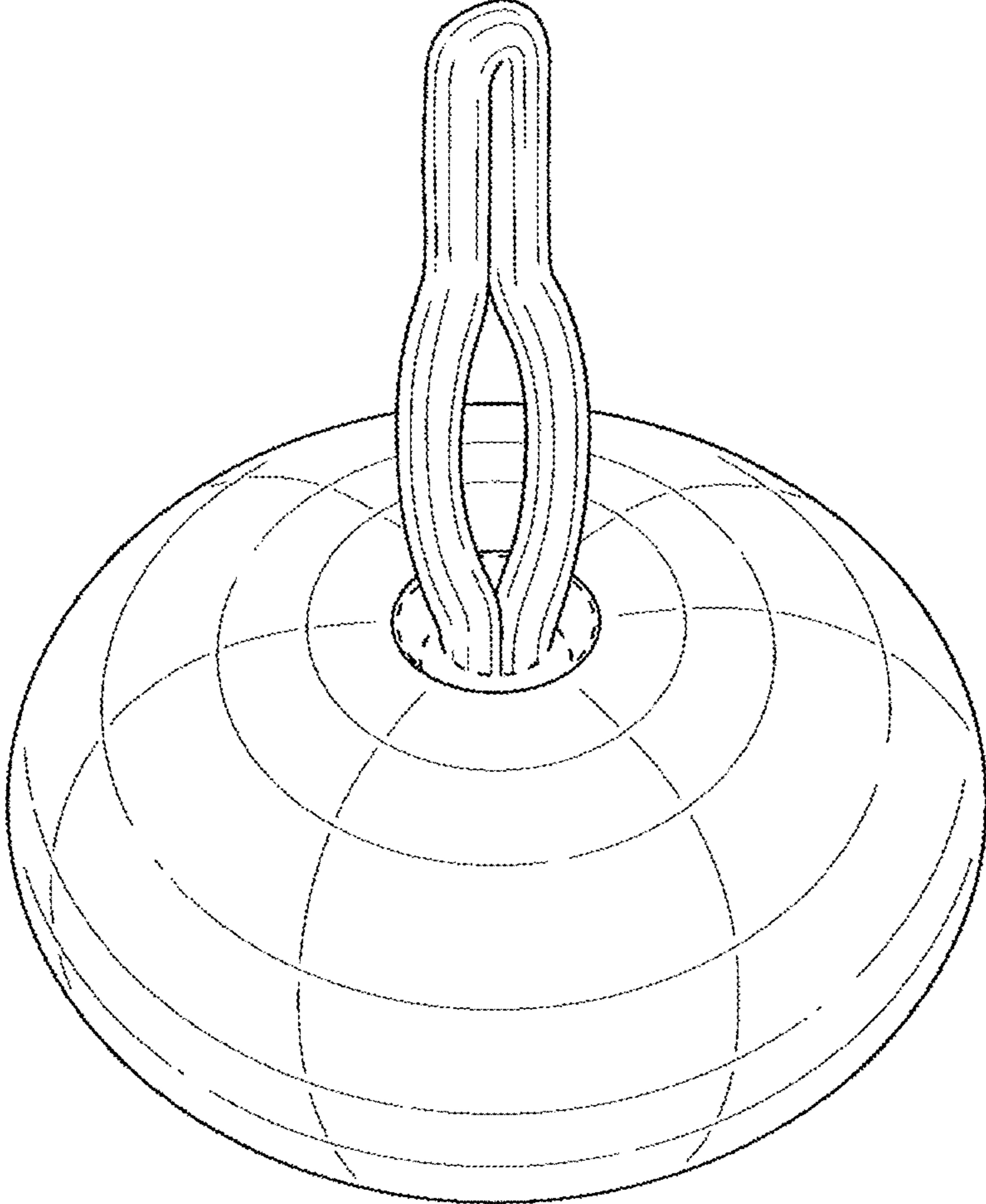


**FIG. 6**

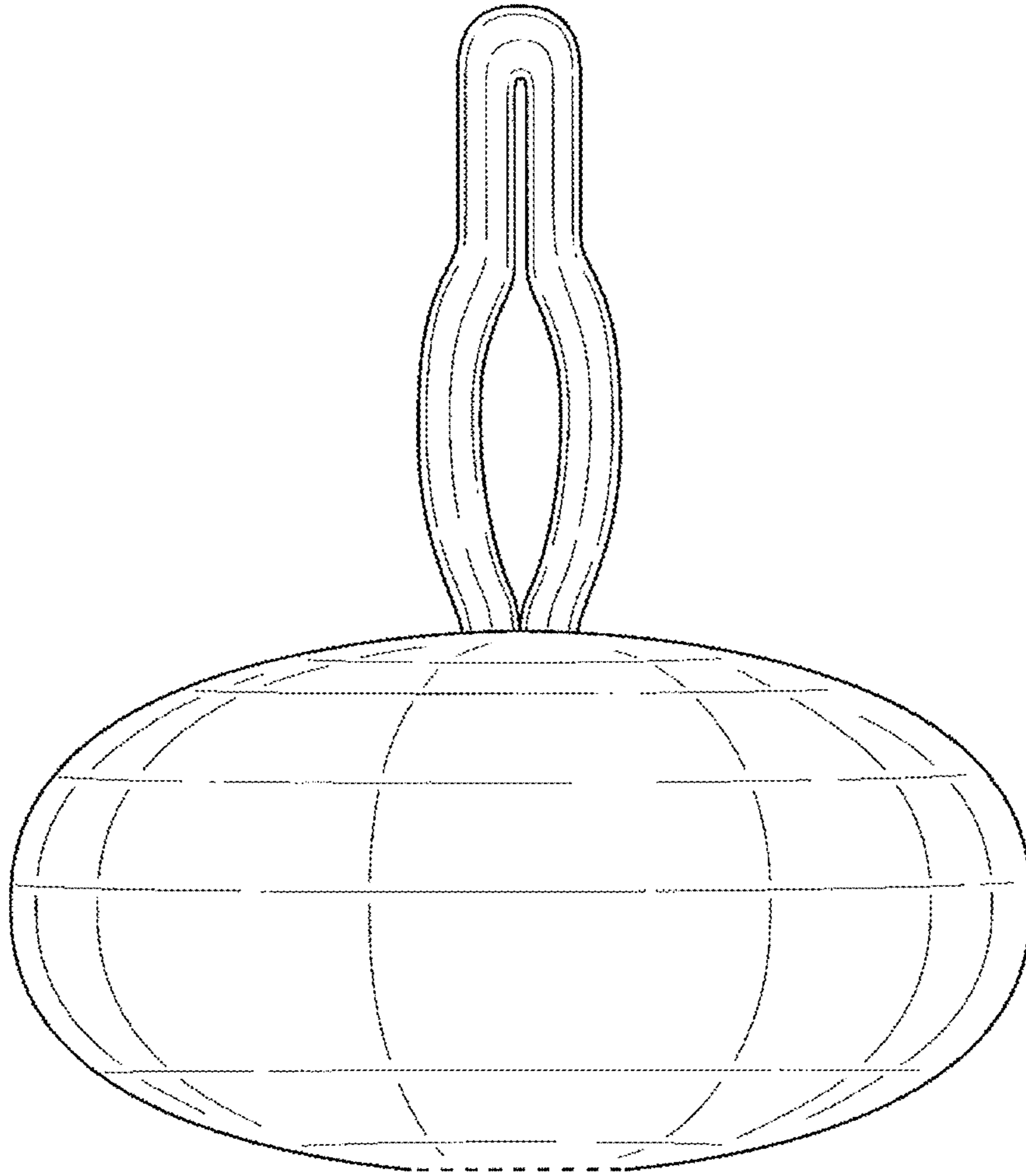


**FIG. 7**

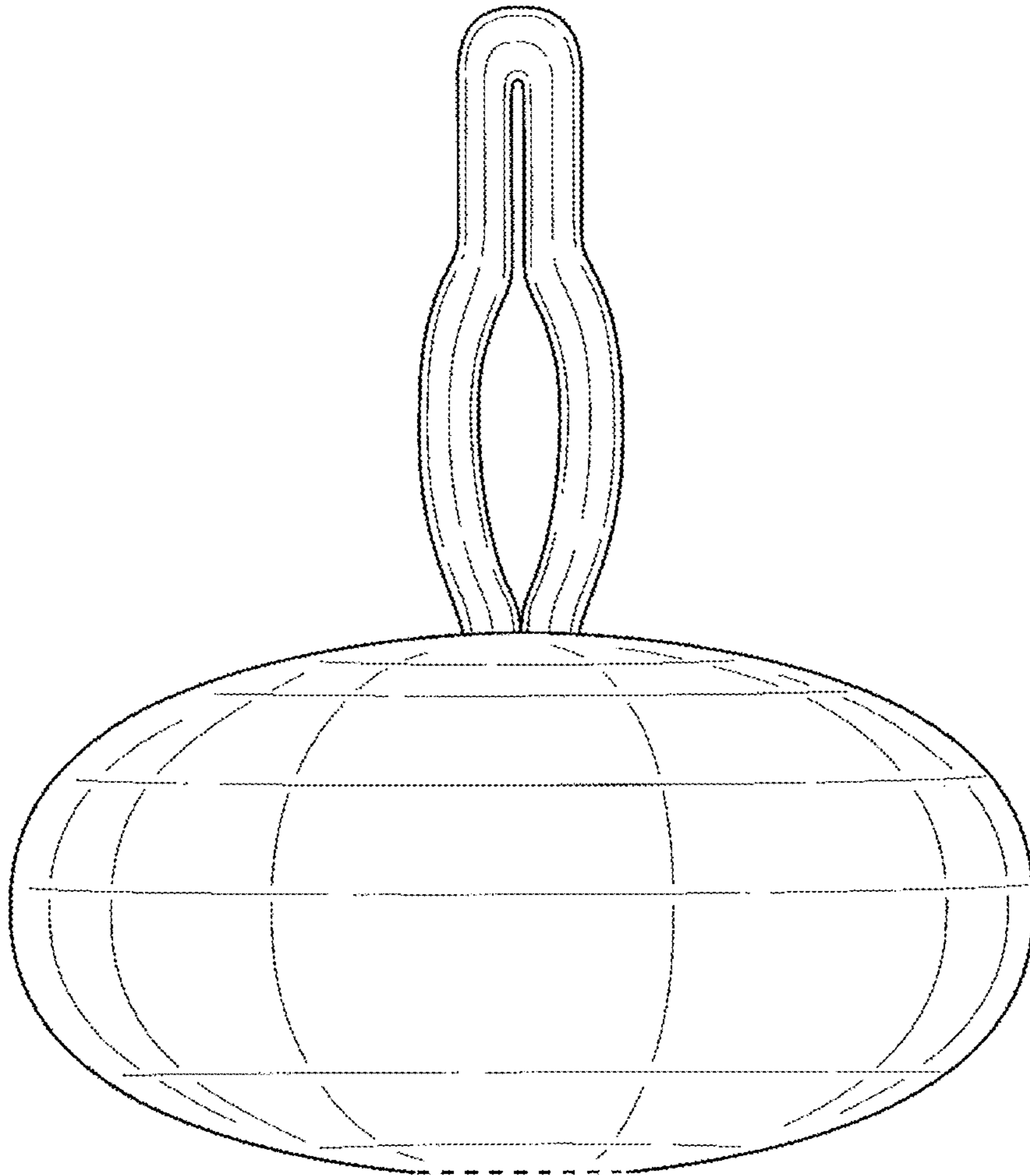




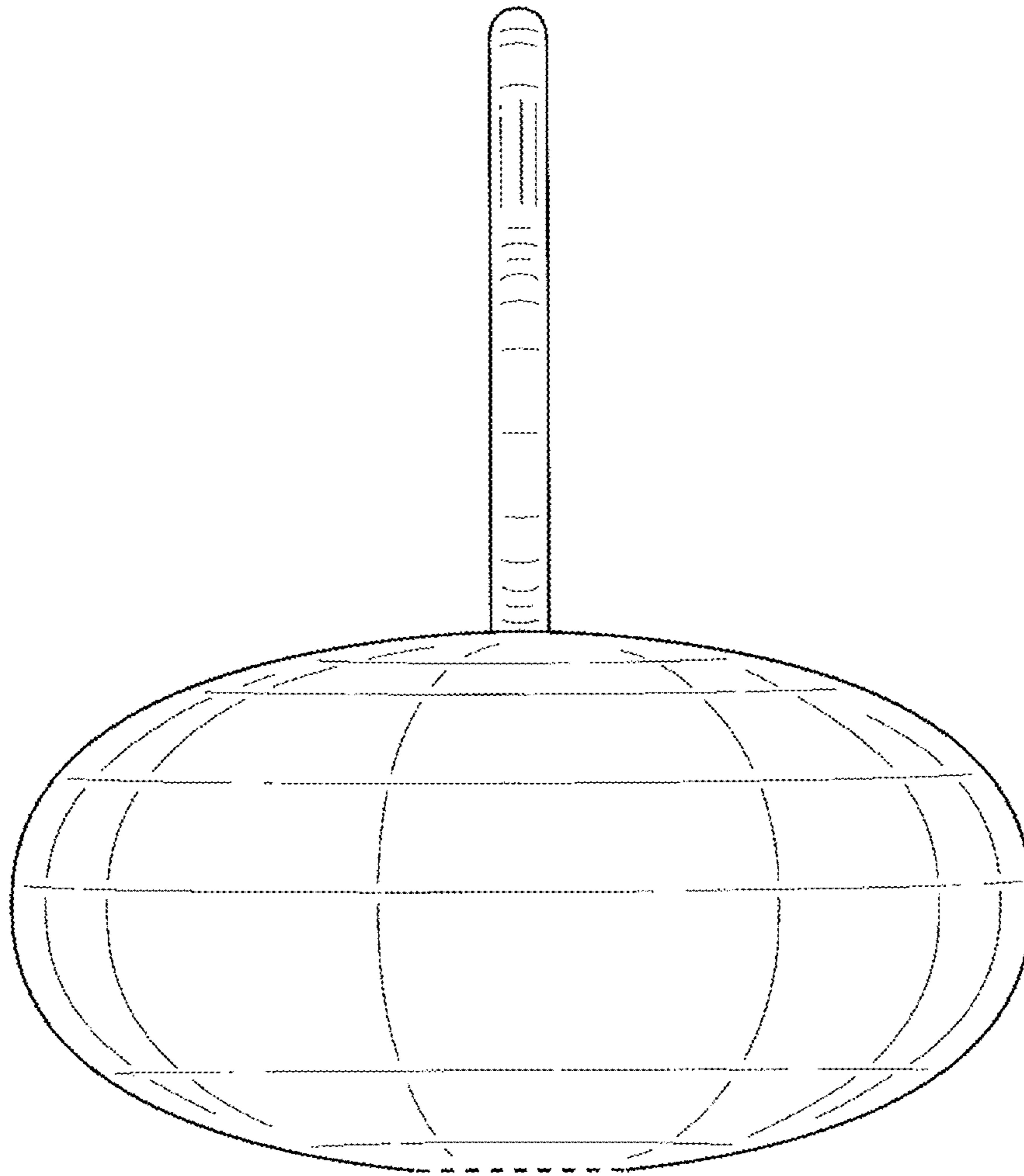
**FIG. 8**



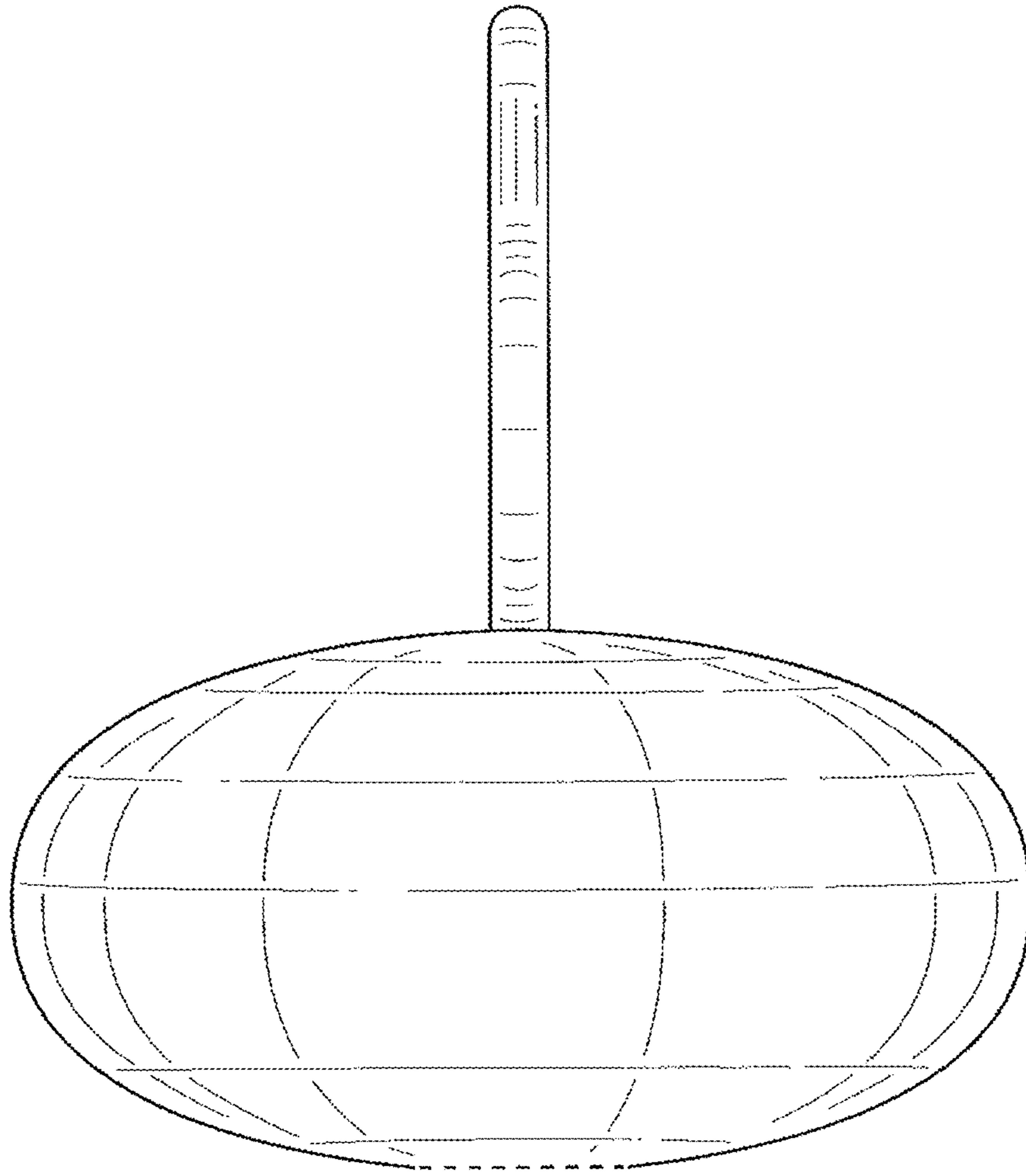
**FIG. 9**



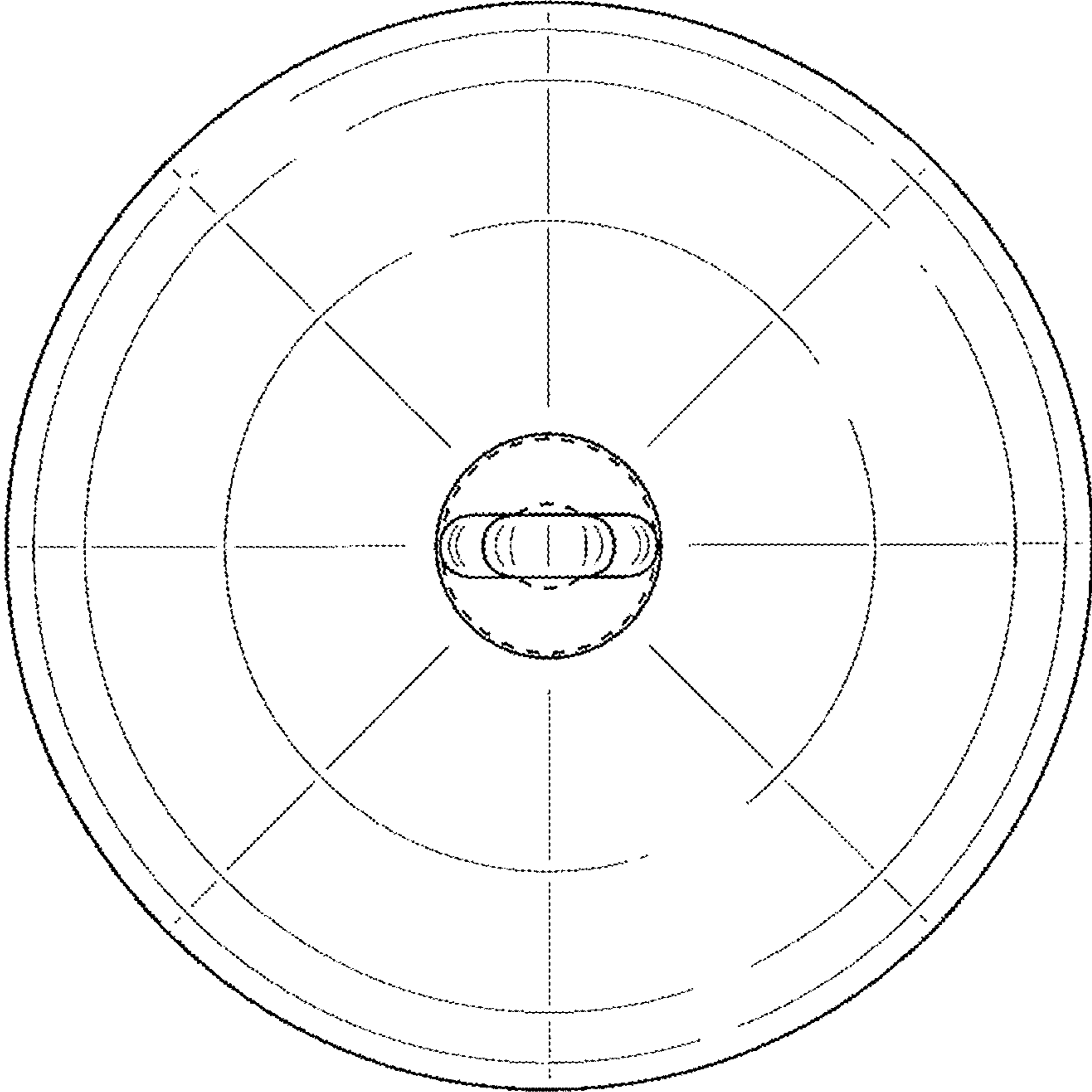
**FIG. 10**



**FIG. 11**

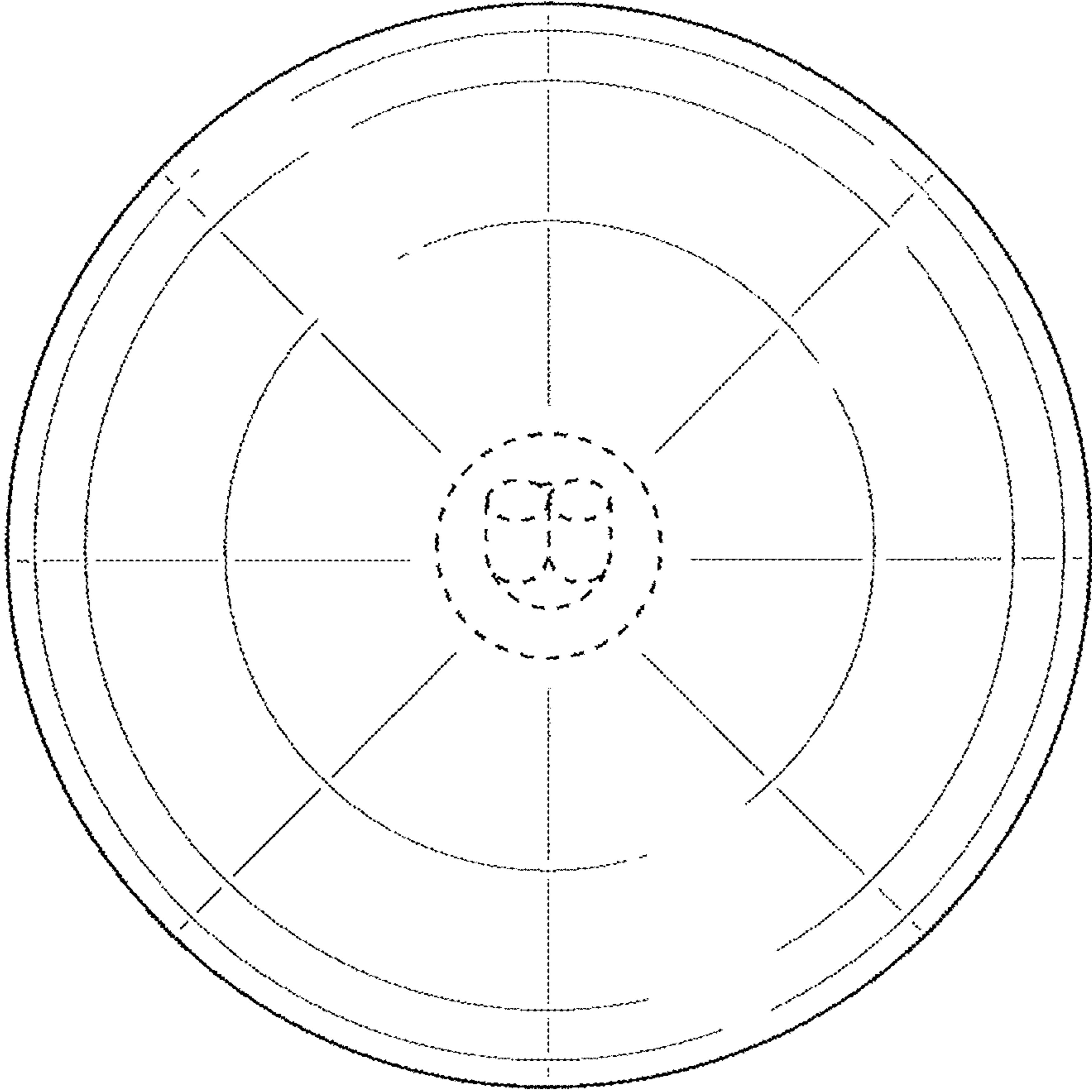


**FIG. 12**



**FIG. 13**





**FIG. 14**