



US00D814604S

(12) **United States Design Patent** (10) **Patent No.:** **US D814,604 S**  
**Bossi** (45) **Date of Patent:** **\*\* \*Apr. 3, 2018**

(54) **DRIFT AND STRIKE INDICATOR FOR FISHING**

(74) *Attorney, Agent, or Firm* — Buche & Associates, P.C.; John K. Buche; Bryce A. Johnson

(71) Applicant: **Steven J. Bossi**, San Diego, CA (US)

(57) **CLAIM**

(72) Inventor: **Steven J. Bossi**, San Diego, CA (US)

I claim the ornamental design for a “drift and strike indicator for fishing,” as shown.

(\* ) Notice: This patent is subject to a terminal disclaimer.

**DESCRIPTION**

(\*\*) Term: **15 Years**

(21) Appl. No.: **29/576,165**

FIG. 1 is a perspective view of the drift and strike indicator for fishing;

(22) Filed: **Aug. 31, 2016**

FIG. 2 is a front view of the drift and strike indicator for fishing of FIG. 1;

**Related U.S. Application Data**

(63) Continuation-in-part of application No. 29/562,173, filed on Apr. 22, 2016, now Pat. No. Des. 780,880.

FIG. 3 is a rear view of the drift and strike indicator for fishing of FIG. 1;

(51) **LOC (11) Cl.** ..... **22-05**

FIG. 4 is a left side view of the drift and strike indicator for fishing of FIG. 1;

(52) **U.S. Cl.**

USPC ..... **D22/134**

FIG. 5 is a right side view of the drift and strike indicator for fishing of FIG. 1;

(58) **Field of Classification Search**

USPC ..... D22/134, 138–139, 148; 43/16–17

See application file for complete search history.

FIG. 6 is a top view of the drift and strike indicator for fishing of FIG. 1;

FIG. 7 is a bottom view of the drift and strike indicator for fishing of FIG. 1;

FIG. 8 is a perspective view of the drift and strike indicator for fishing of FIG. 1;

(56) **References Cited**

**U.S. PATENT DOCUMENTS**

D401,995 S *	12/1998	Yamagata	.....	D22/134
D421,478 S *	3/2000	Medrano	.....	D22/134
D616,524 S *	5/2010	Haroian	.....	D22/134
7,963,065 B1 *	6/2011	Copeland	.....	A01K 97/12 43/16

FIG. 9 is a flow diagram of applying the drift and strike indicator for fishing of FIG. 1 to a leader; and,

FIG. 10 is an environmental view of the fly fishing strike indicator of FIG. 1 in use.

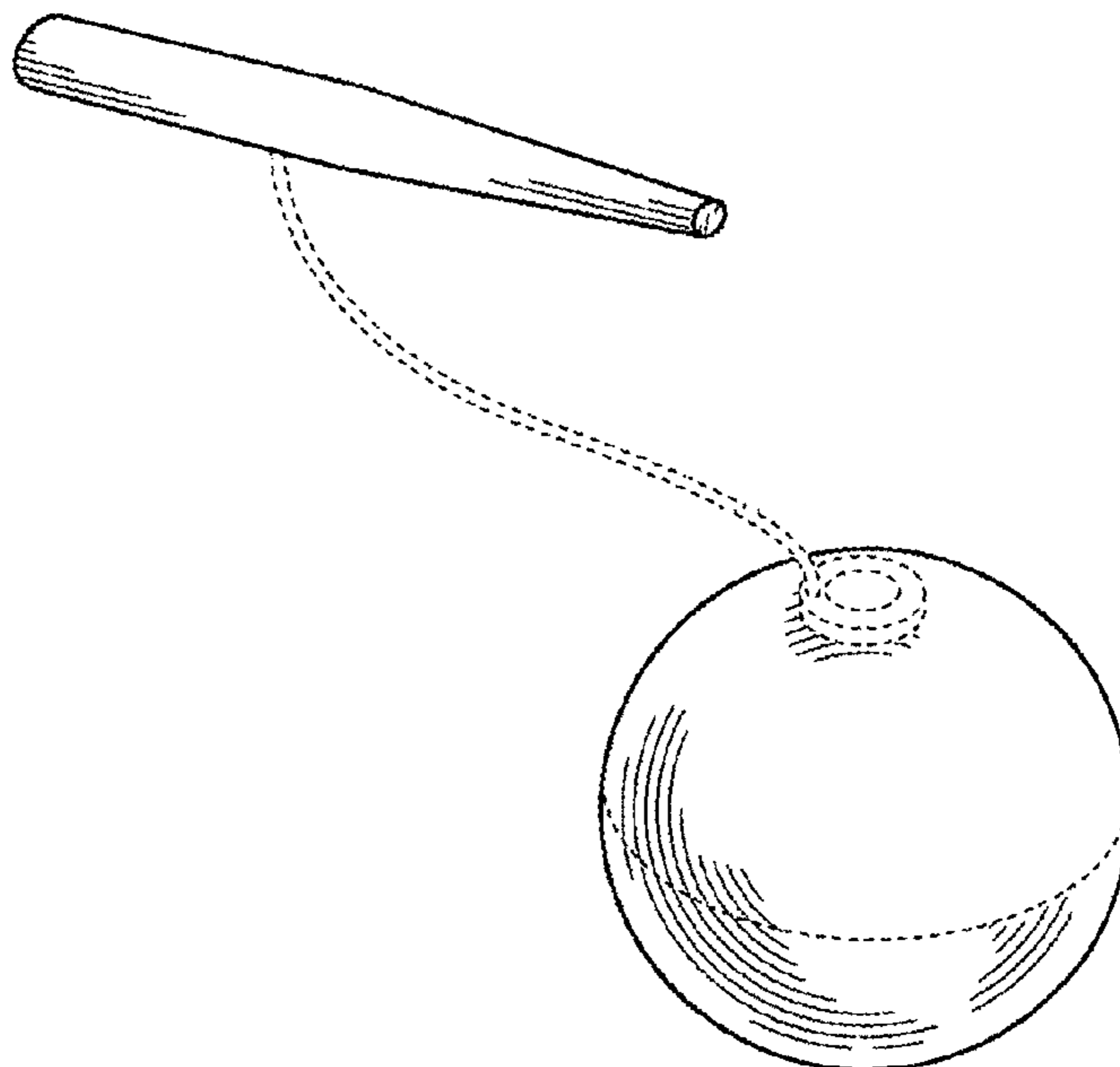
Broken lines depict portions of the drift and strike indicator for fishing, illustrate environmental features, and form no part of the claimed design.

The nature and intended use of the article in which the design is embodied is for fly fishing.

\* cited by examiner

*Primary Examiner* — Catherine R Oliver-Garcia

**1 Claim, 6 Drawing Sheets**



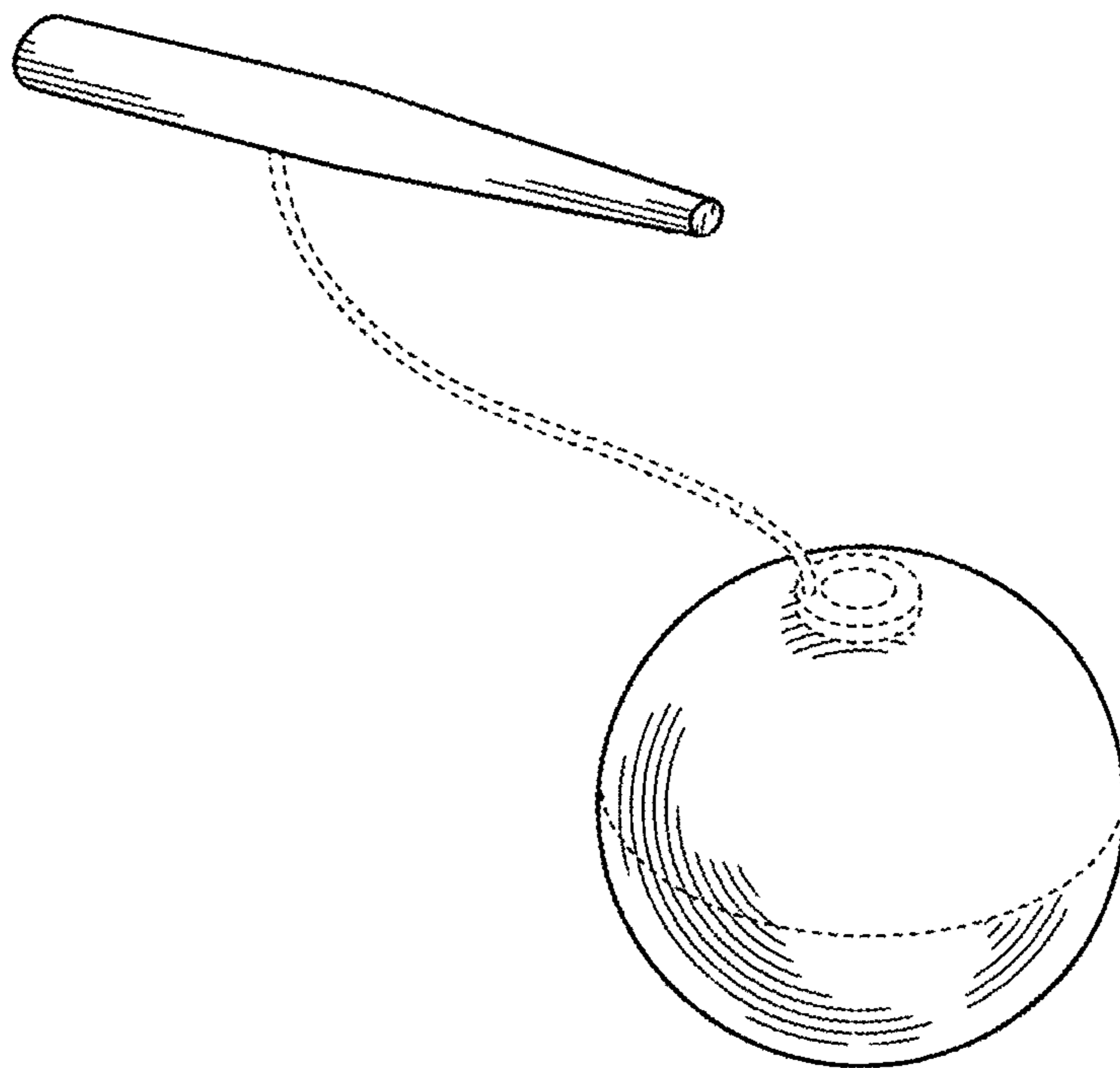


FIG. 1

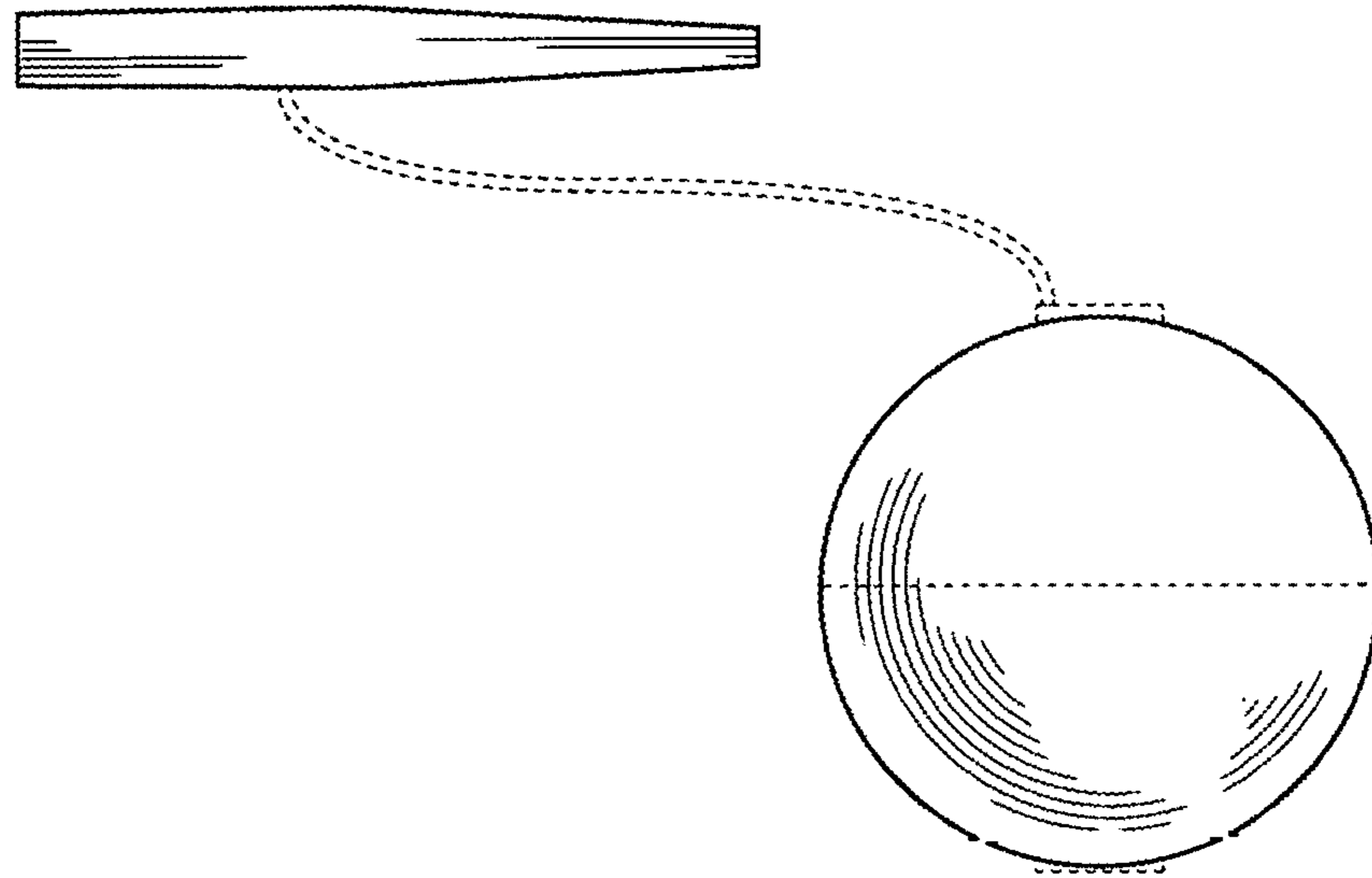


FIG. 2

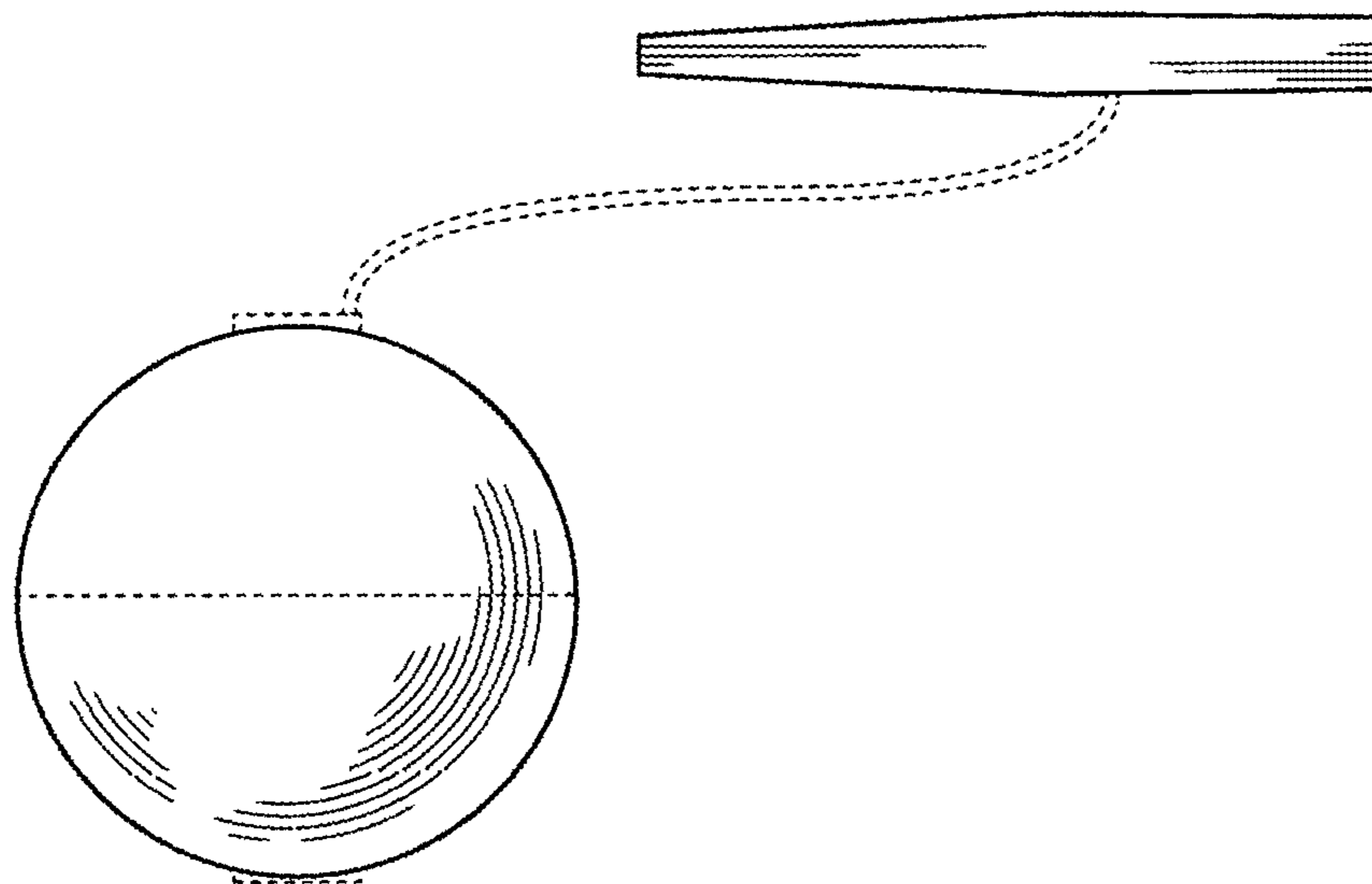


FIG. 3

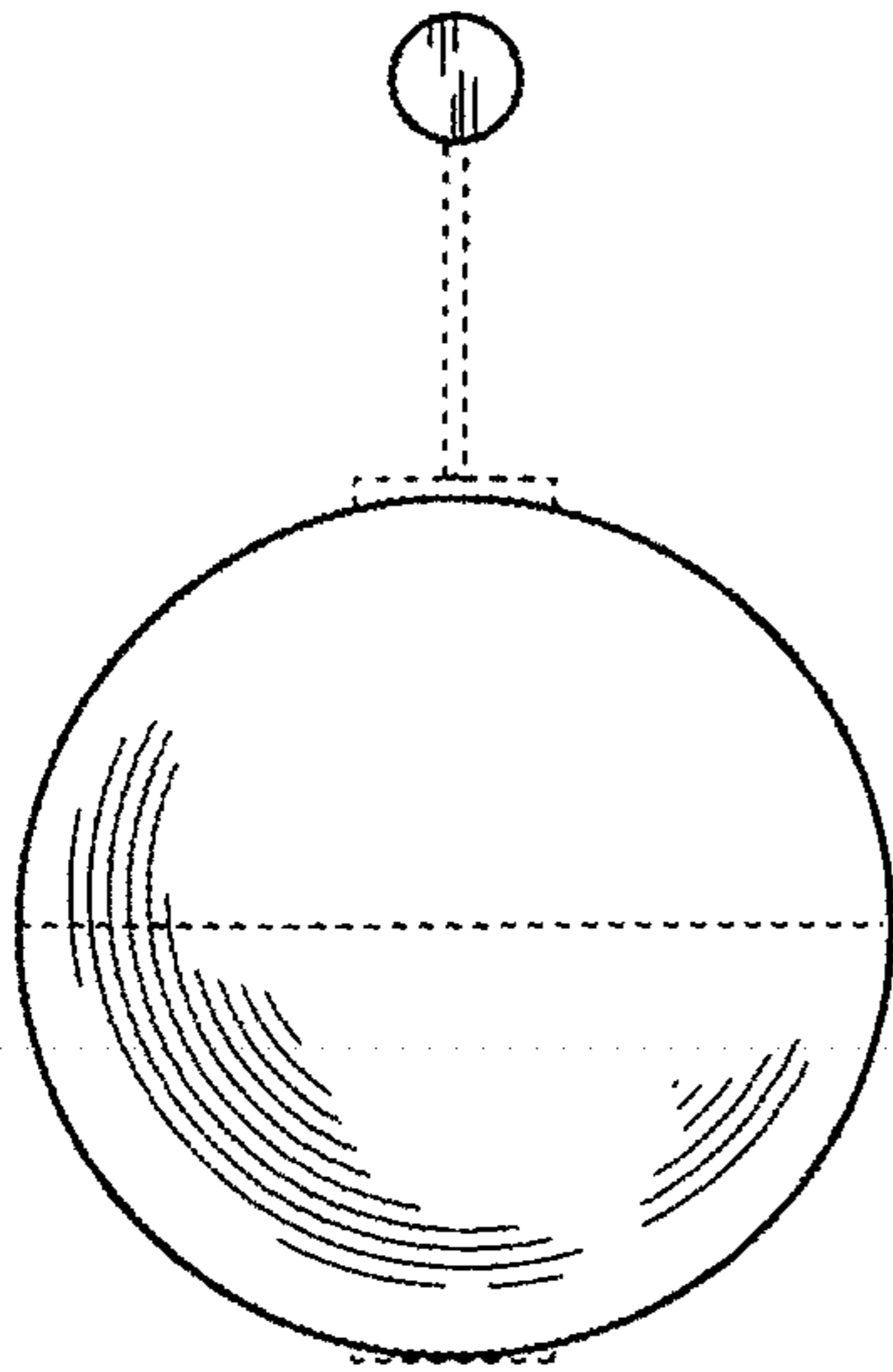


FIG. 4

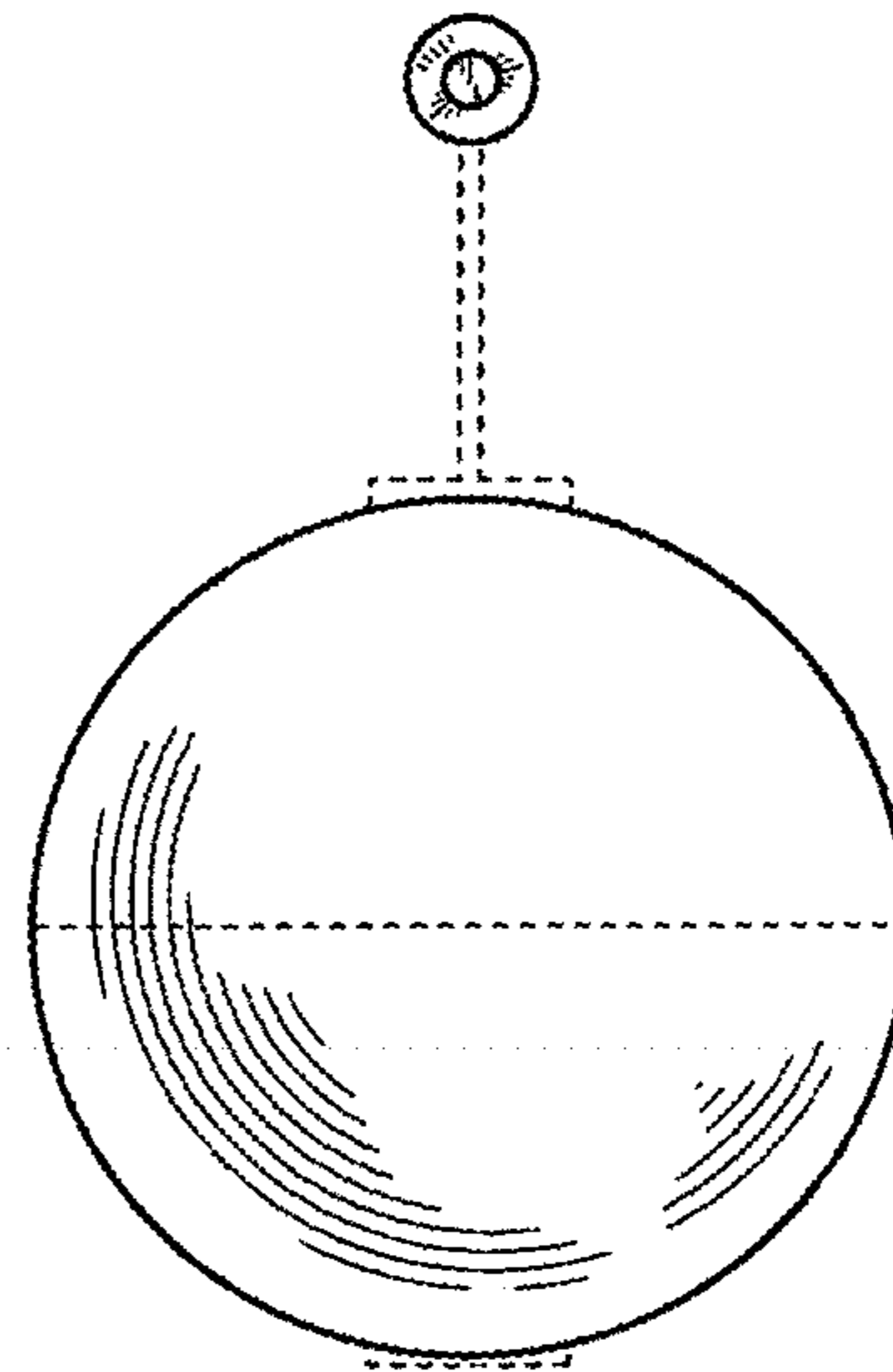


FIG. 5

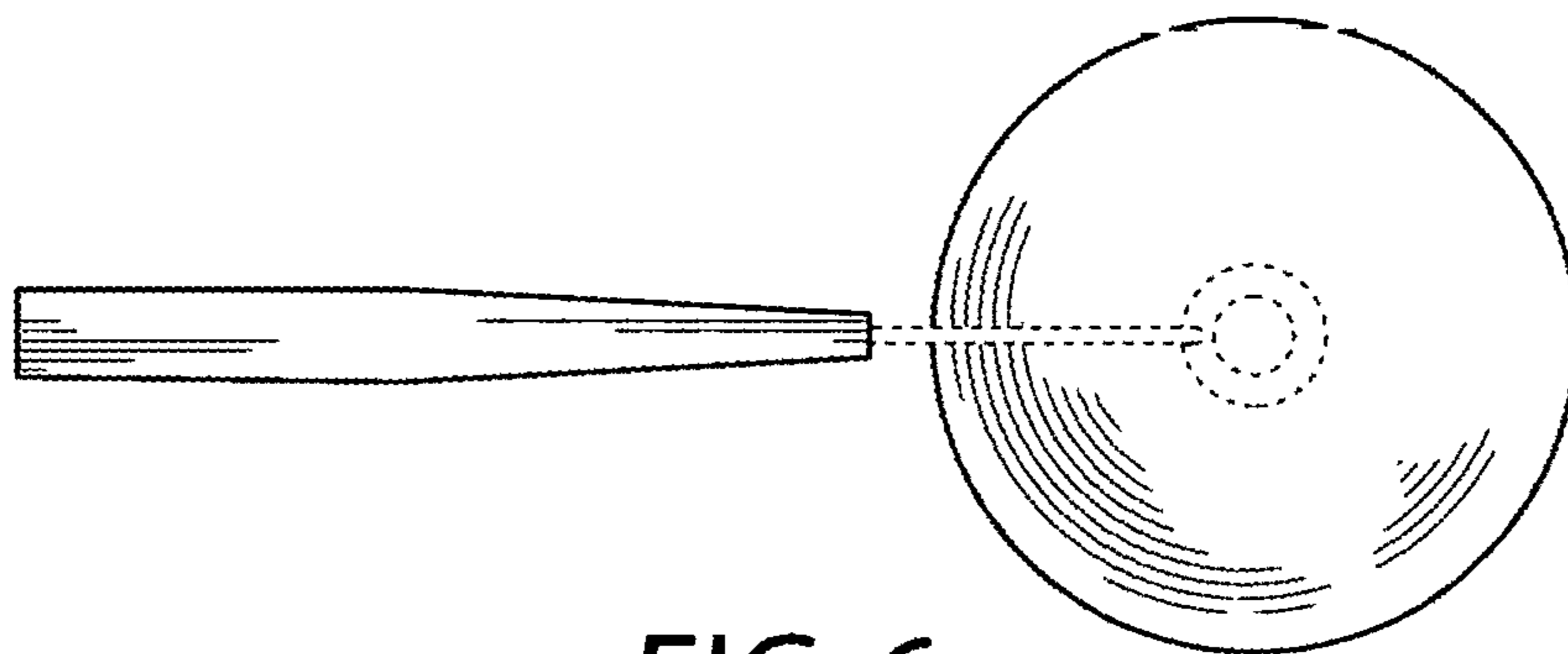


FIG. 6

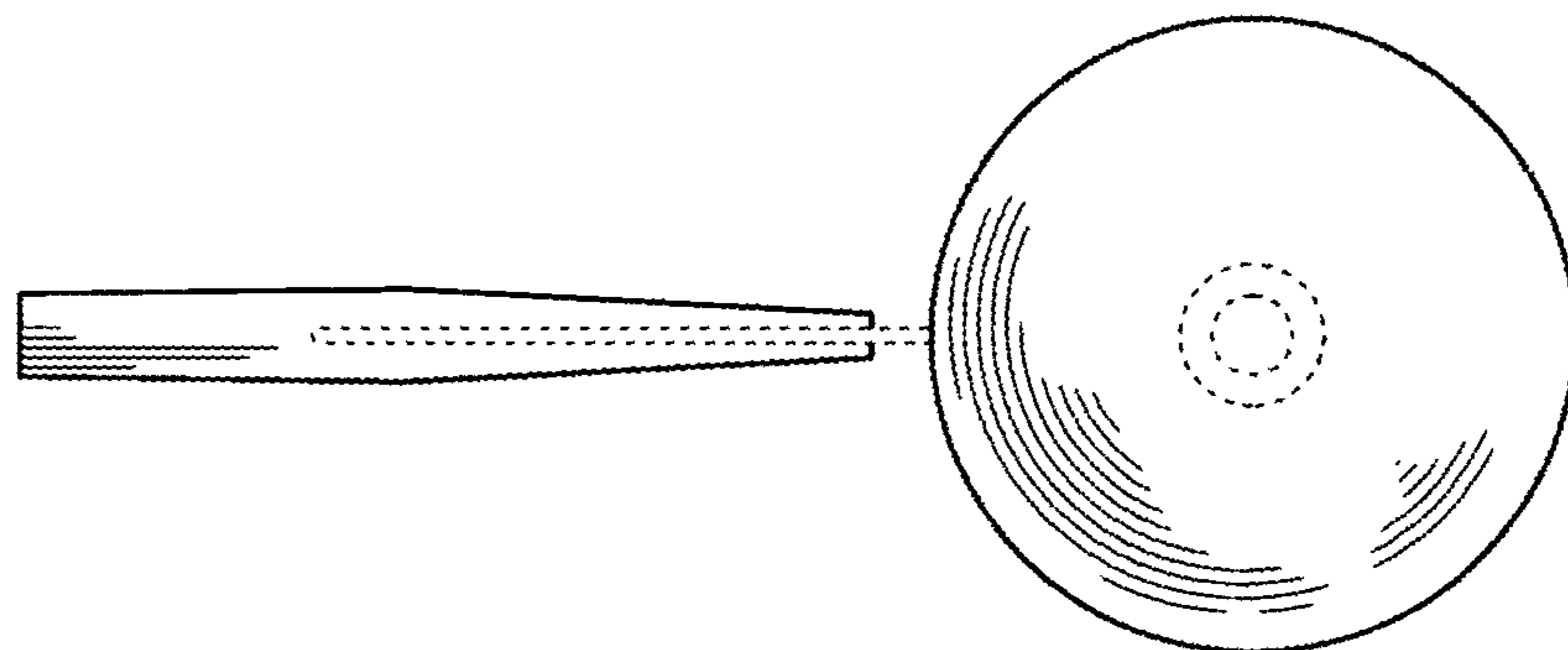


FIG. 7

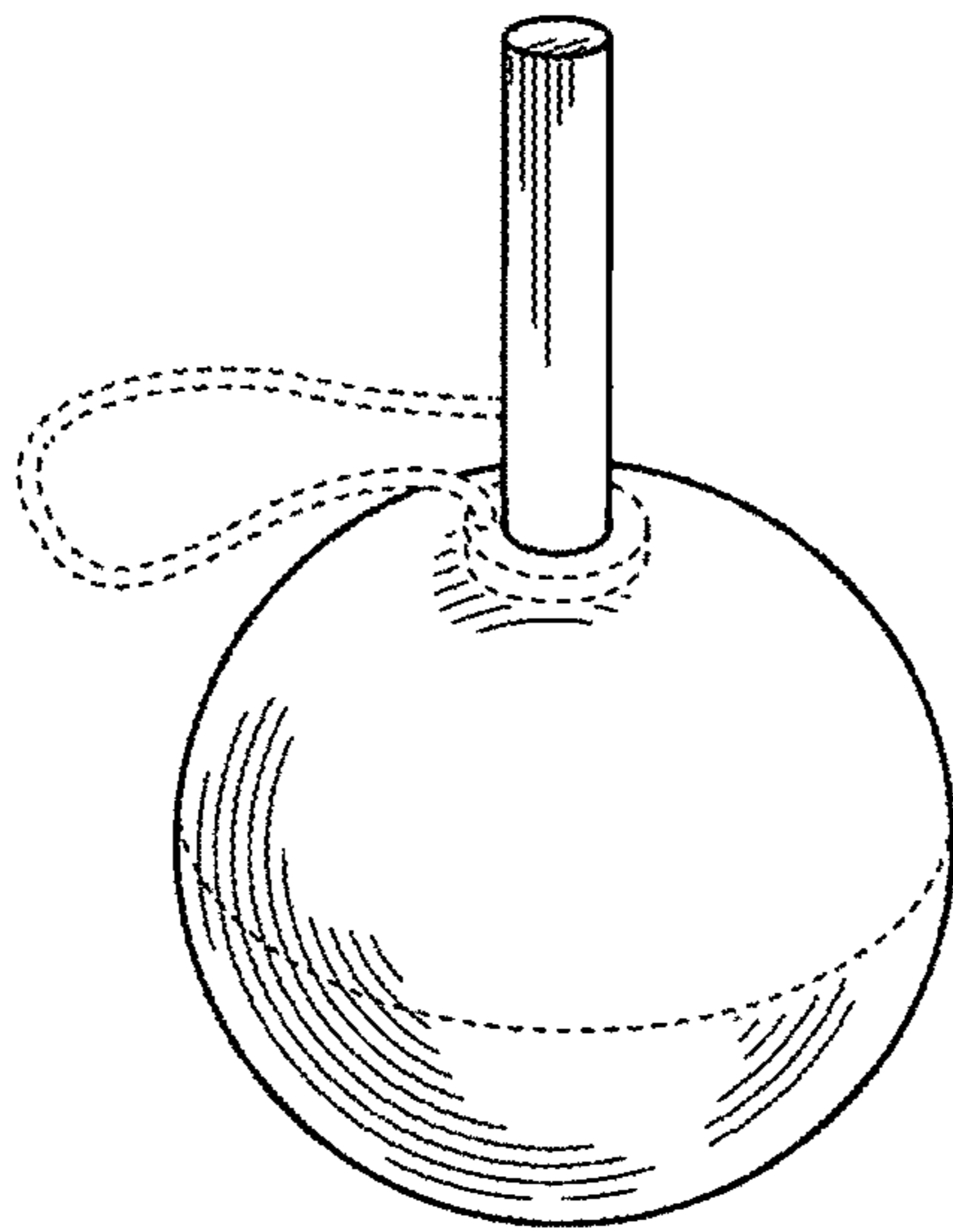


FIG. 8

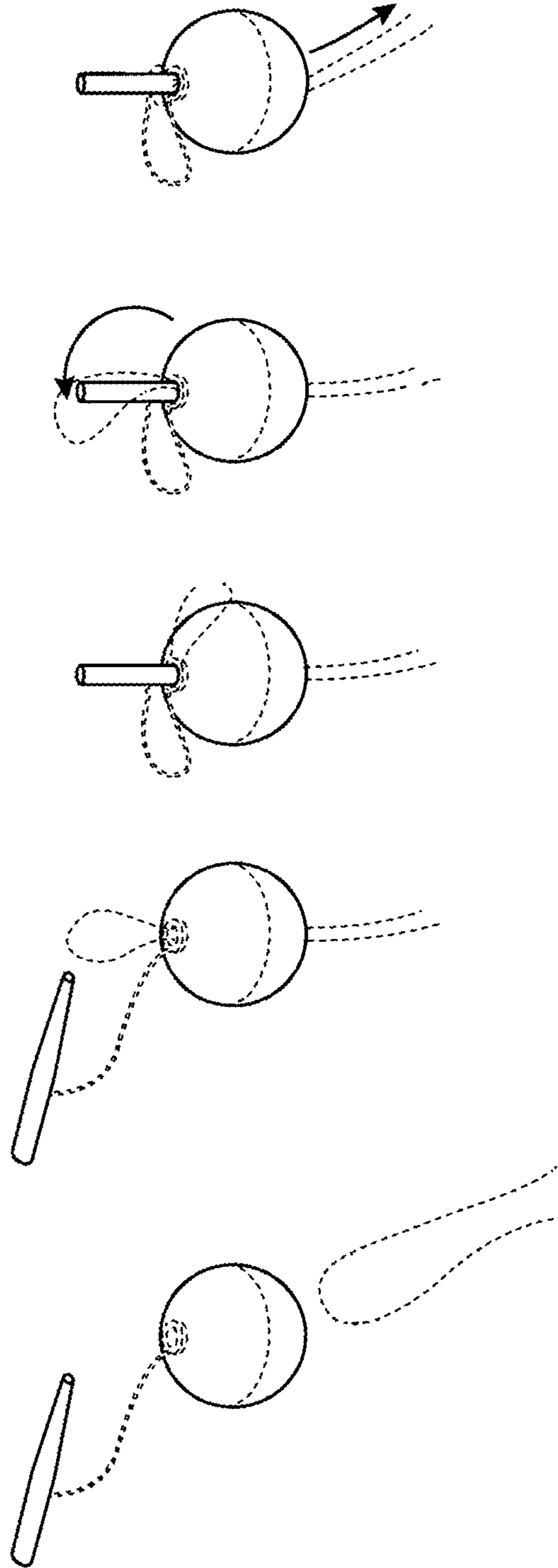


FIG. 9

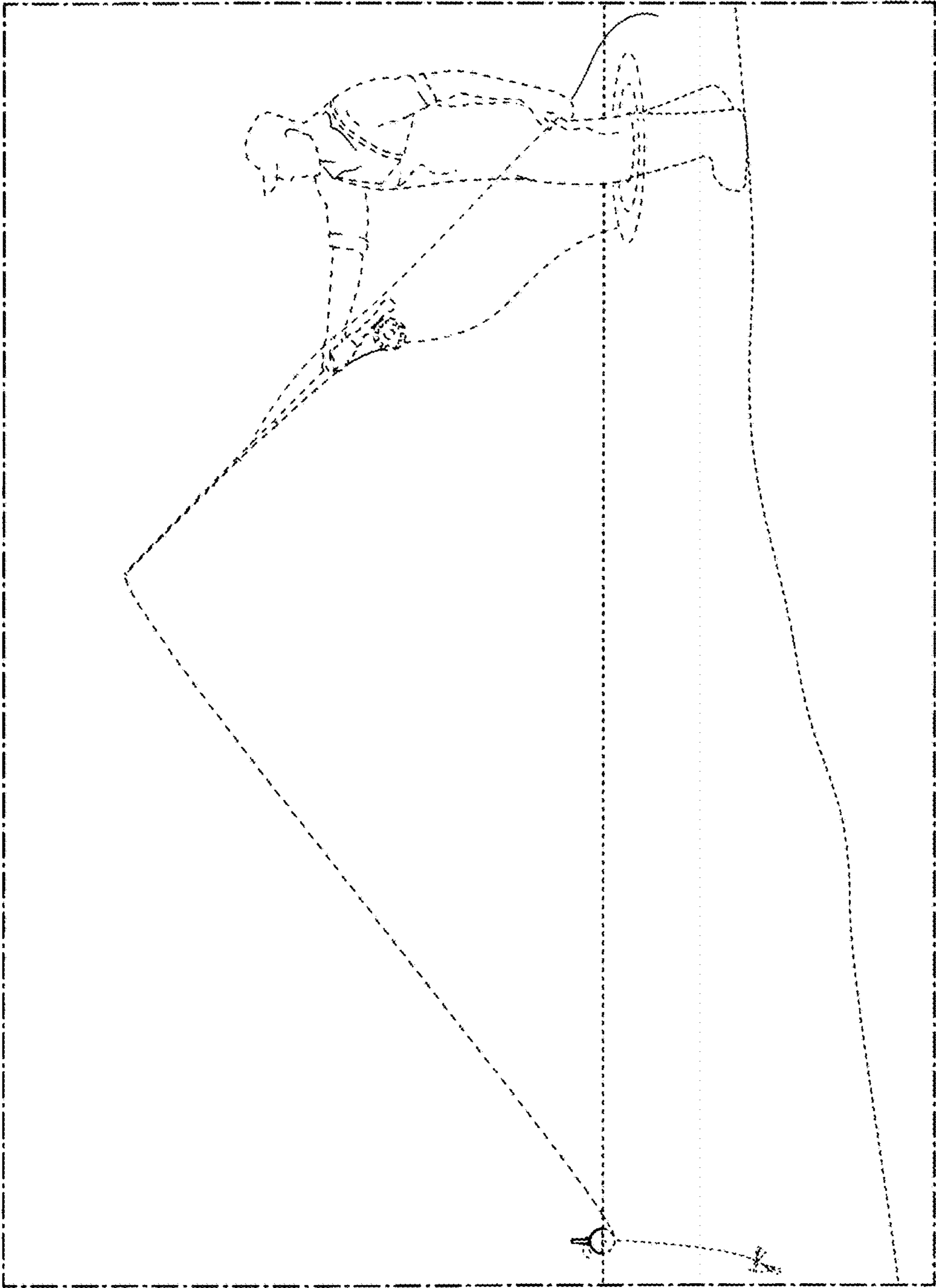


FIG. 10