



US00D814603S

(12) **United States Design Patent**  
**Yu et al.**

(10) **Patent No.:** **US D814,603 S**  
(45) **Date of Patent:** **\*\* Apr. 3, 2018**

(54) **INSECT TRAP**

(71) Applicant: **Seoul Viosys Co., Ltd.**, Ansan-si (KR)

(72) Inventors: **Si Ho Yu**, Yongin-si (KR); **Sang Hyun Chang**, Gyeonggi-do (KR); **Hoon Sik Eom**, Seoul (KR)

(73) Assignee: **Seoul Viosys Co., Ltd.**, Ansan-si (KR)

(\*\*) Term: **15 Years**

(21) Appl. No.: **29/569,199**

(22) Filed: **Jun. 24, 2016**

(30) **Foreign Application Priority Data**

May 26, 2016 (KR) ..... 30-2016-0025467

(51) **LOC (11) Cl.** ..... **22-06**

(52) **U.S. Cl.**  
USPC ..... **D22/123**

(58) **Field of Classification Search**  
USPC ..... D22/122, 123; D26/37, 40; D9/545  
CPC ..... A01M 1/08; A01M 1/023; A01M 1/04  
See application file for complete search history.

(56) **References Cited**

**U.S. PATENT DOCUMENTS**

D282,766 S	2/1986	Nightingale	
4,642,936 A	2/1987	Jobin et al.	
D491,247 S *	6/2004	Chuang	D22/122
D492,381 S *	6/2004	Chuang	D22/122
D532,479 S *	11/2006	Child	D22/122
D561,297 S *	2/2008	Schneidmiller	D22/122
D612,447 S *	3/2010	Galili	D22/123

D634,808 S	3/2011	Tsai
D734,829 S	7/2015	Zhang et al.
D777,291 S	1/2017	Seaton
2014/0311015 A1	10/2014	Oehlschlager

**FOREIGN PATENT DOCUMENTS**

KR 10-2009-0009373 1/2009

**OTHER PUBLICATIONS**

Non Final Office Action dated Apr. 12, 2017, in Design U.S. Appl. No. 29/565,444.

\* cited by examiner

*Primary Examiner* — Karen S Acker

*Assistant Examiner* — Steven B Reinholdt, Jr.

(74) *Attorney, Agent, or Firm* — H.C. Park & Associates, PLC

(57) **CLAIM**

The ornamental design for an insect trap, as shown and described.

**DESCRIPTION**

FIG. 1 is a perspective view of an insect trap showing a new design.

FIG. 2 is a front view thereof.

FIG. 3 is a rear view thereof.

FIG. 4 is a left side view thereof.

FIG. 5 is a right side view thereof.

FIG. 6 is a top plan view thereof; and,

FIG. 7 is a bottom plan view thereof.

The broken lines depict portions of the insect trap that form no part of the claimed design.

**1 Claim, 4 Drawing Sheets**

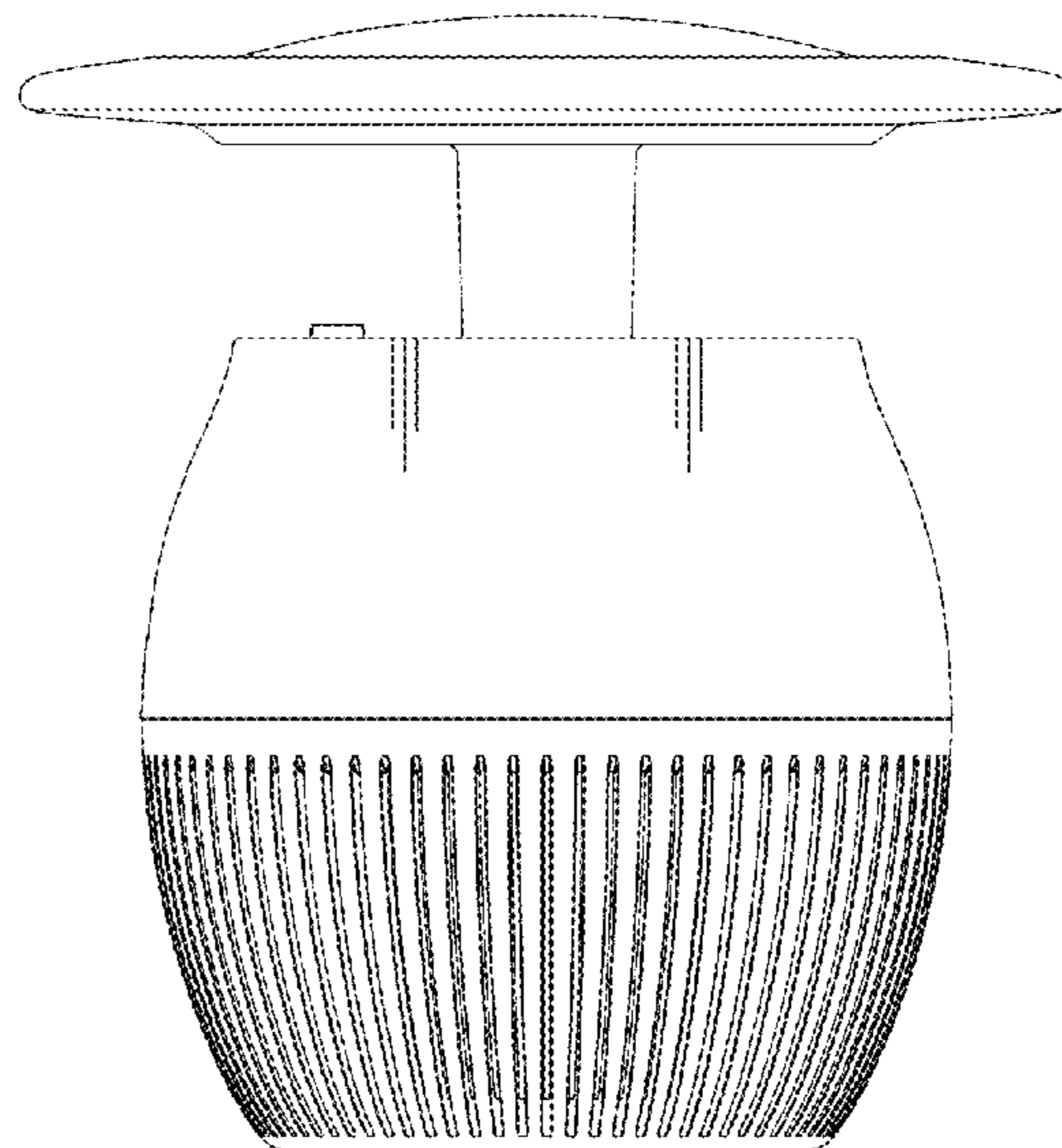
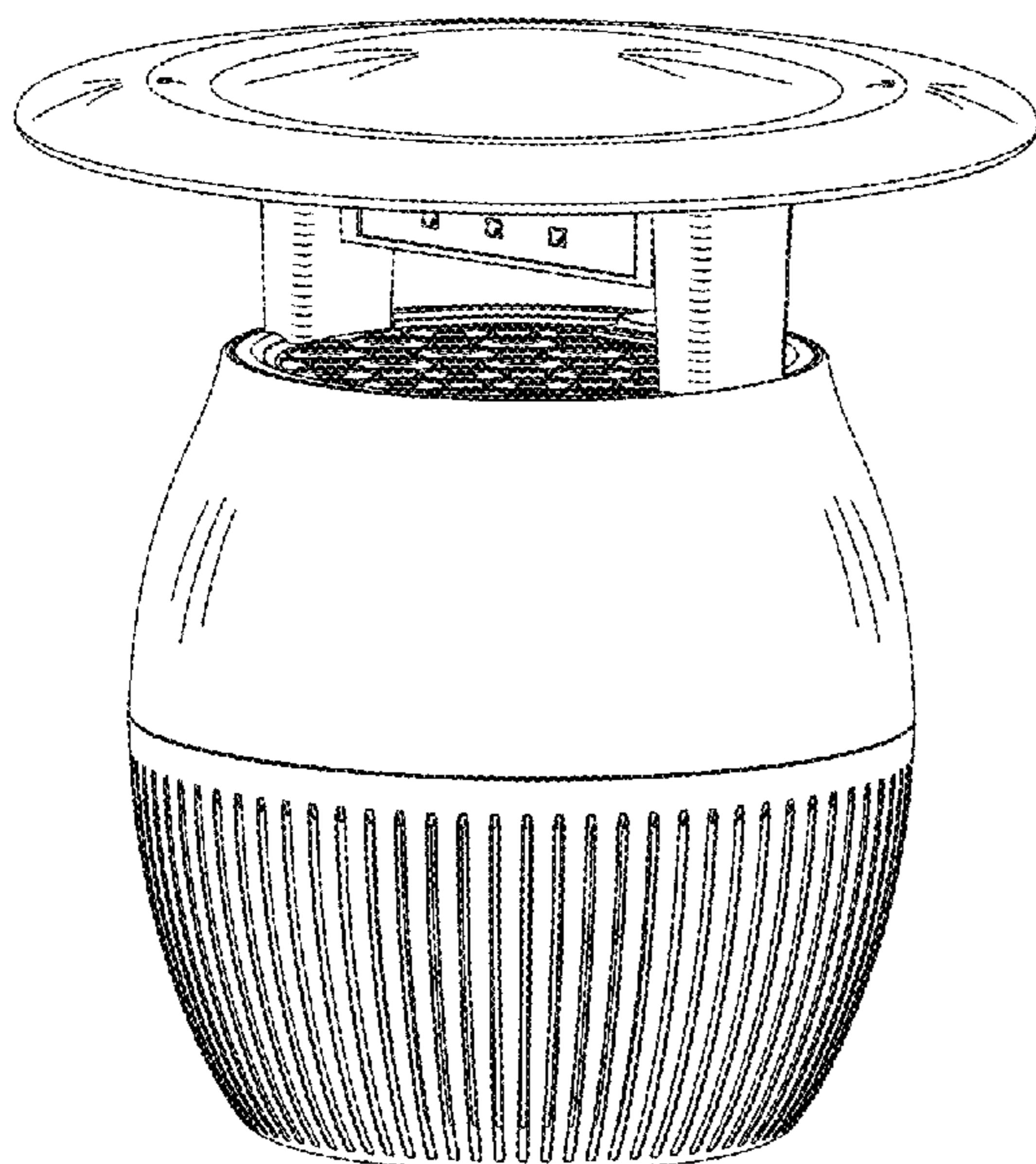


Fig. 1

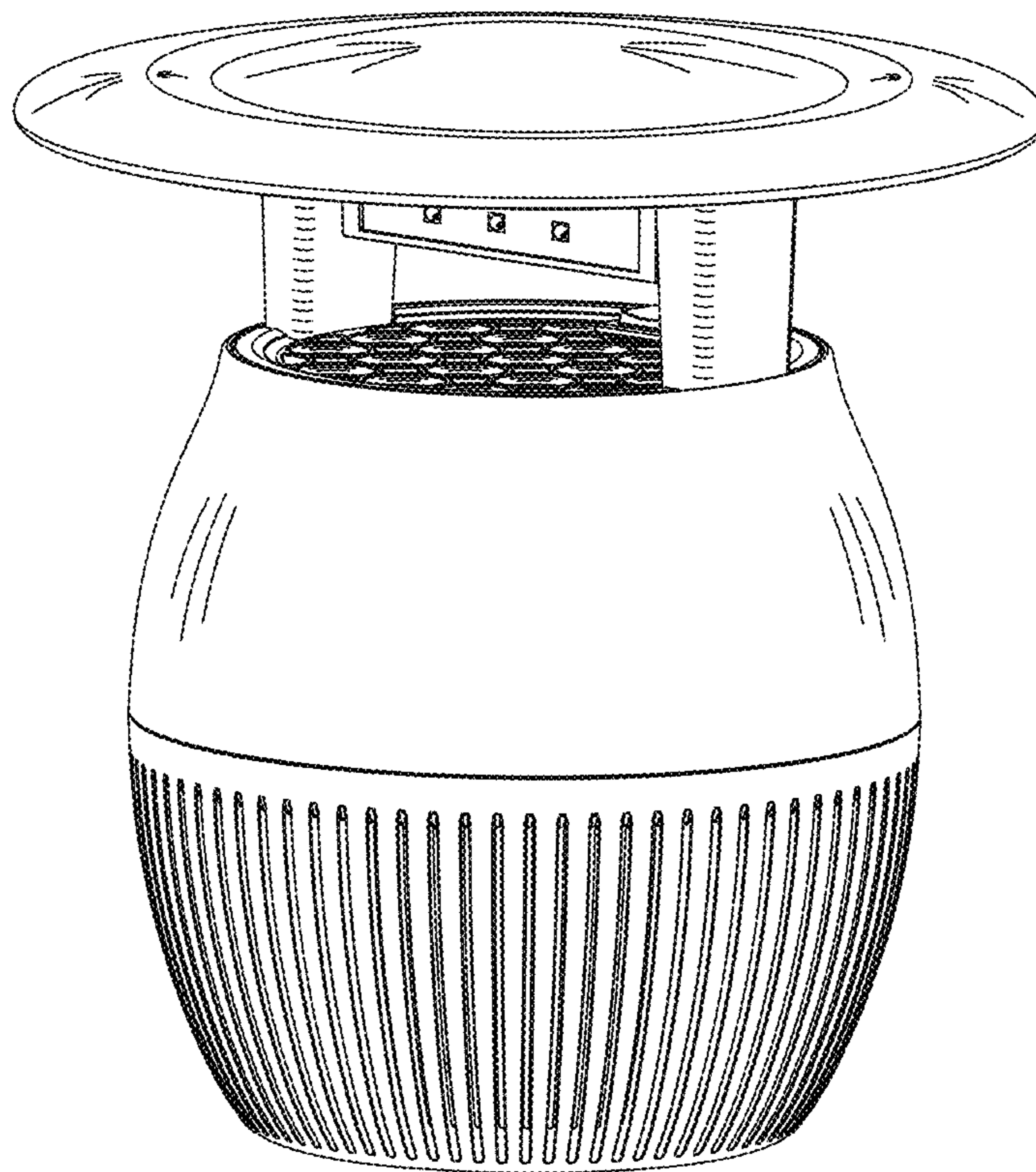


Fig.2

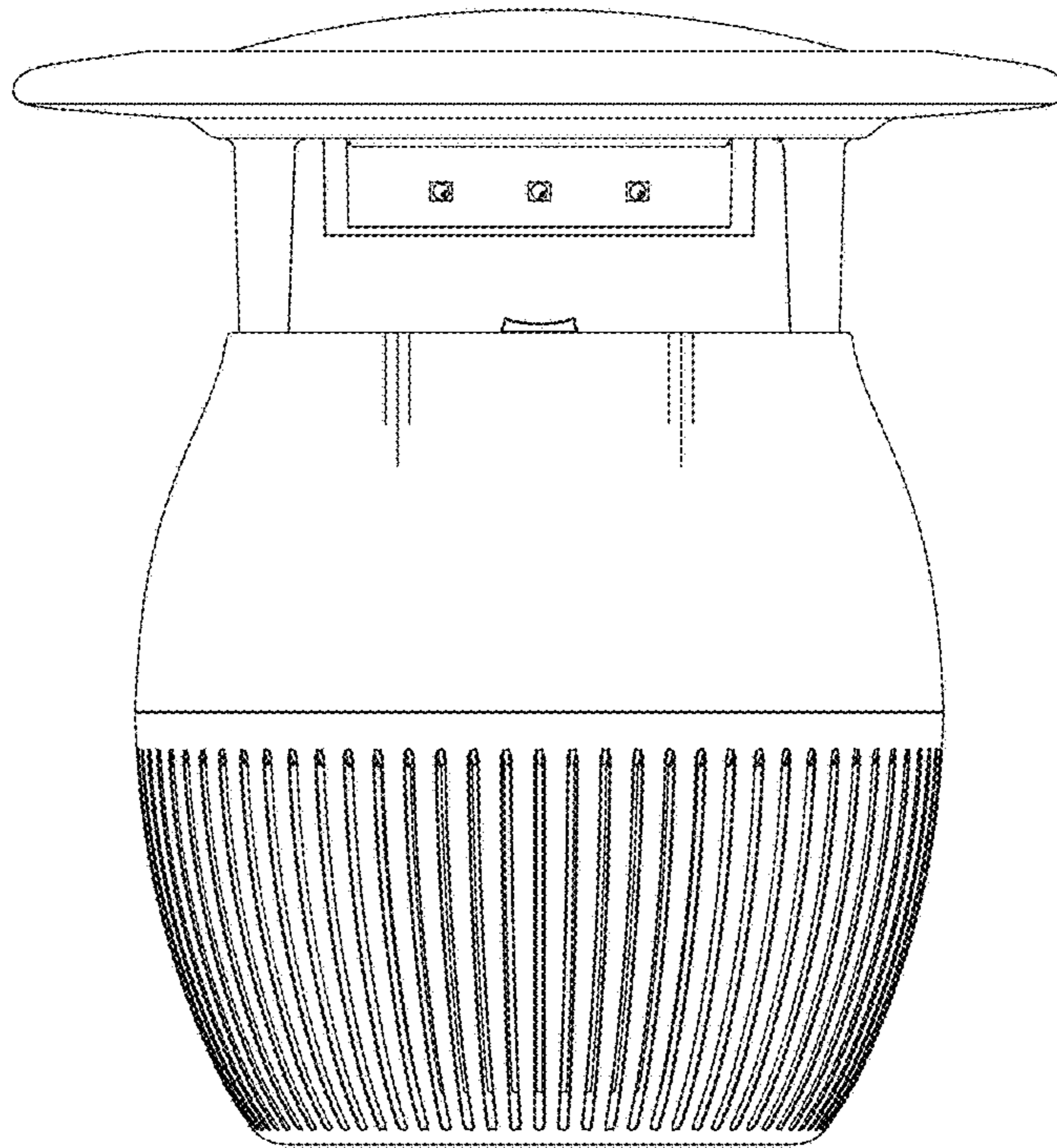


Fig.3

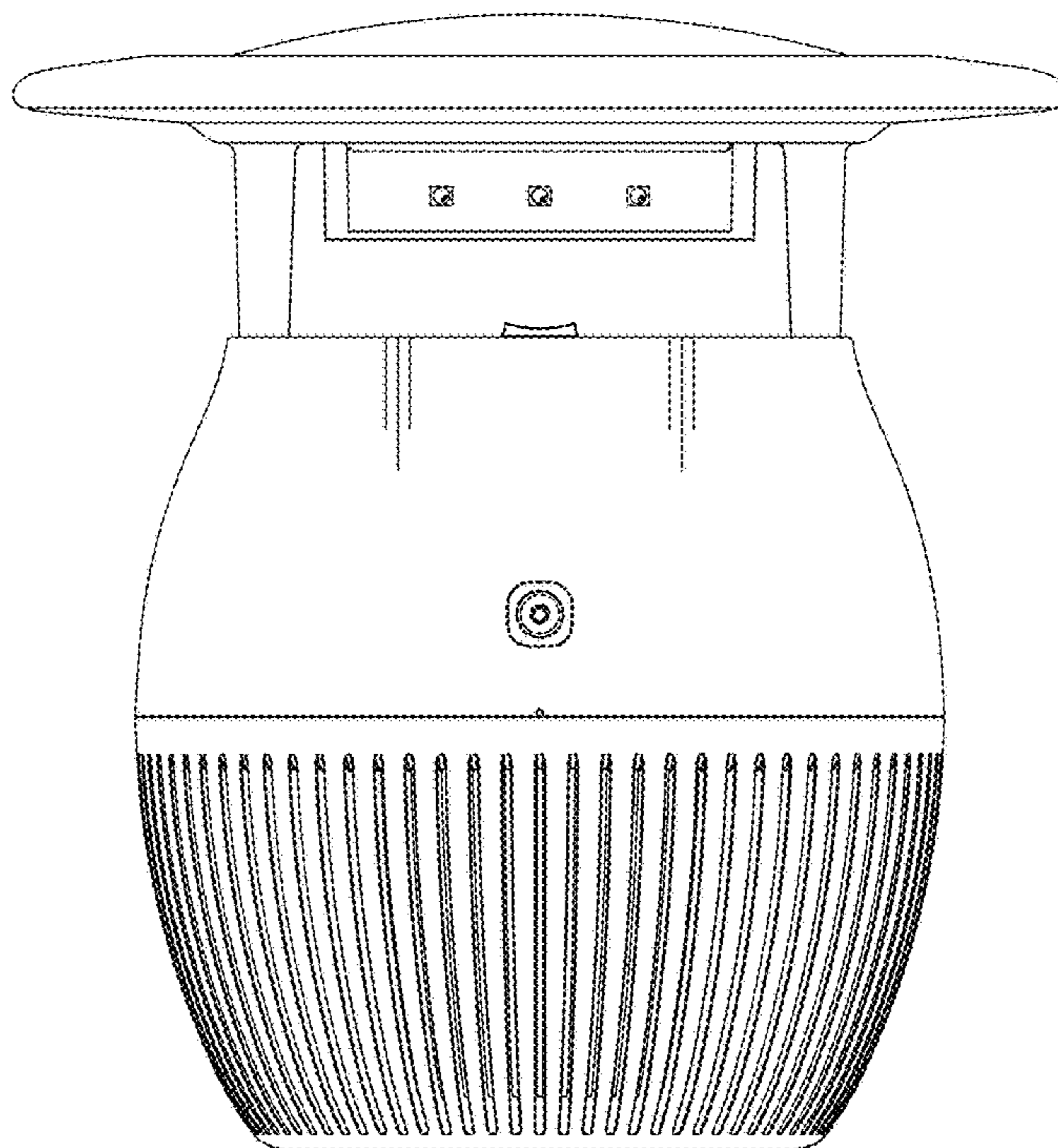


Fig.4

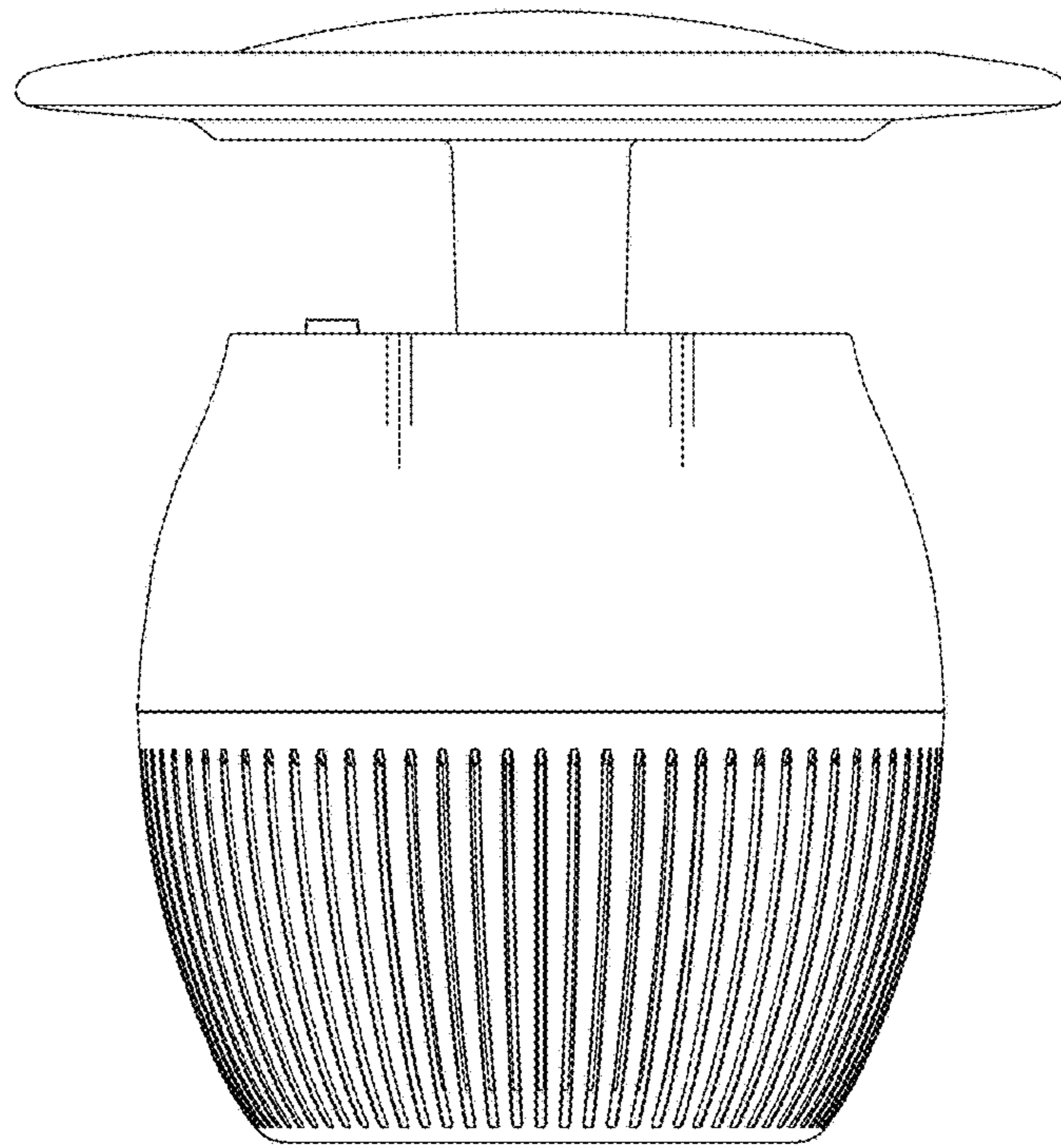


Fig.5

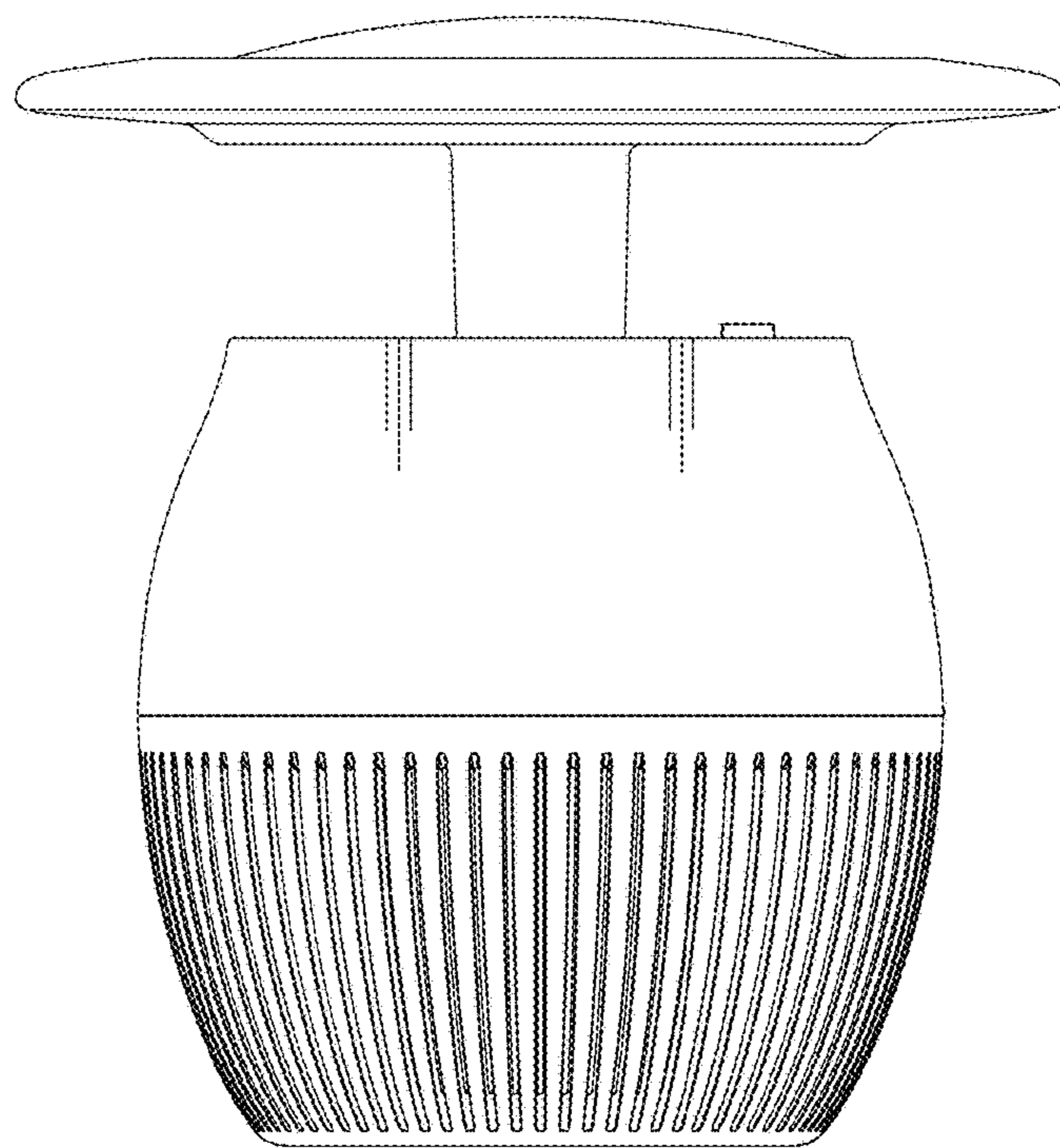


Fig.6

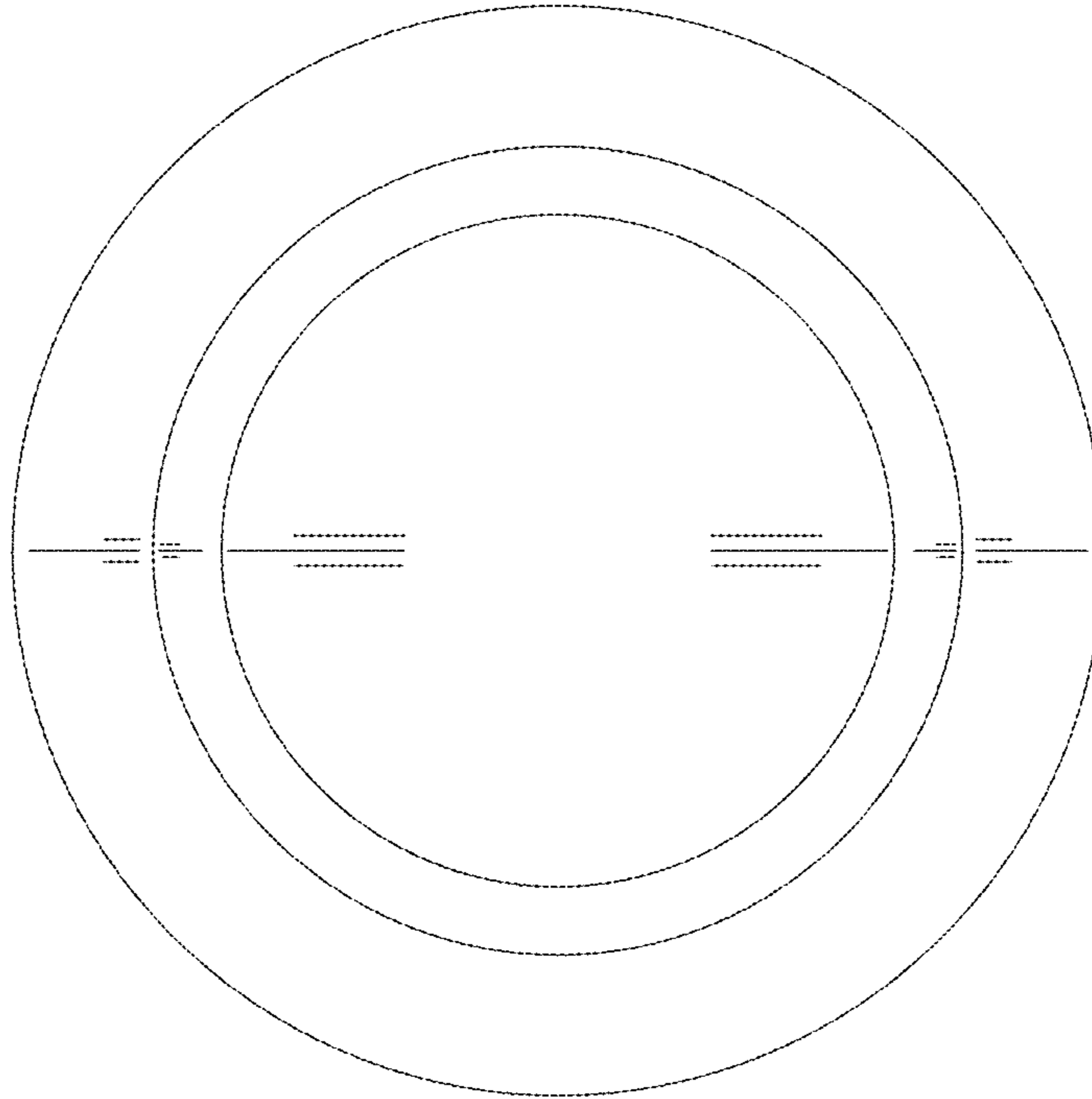


Fig.7

