



US00D814602S

(12) **United States Design Patent** (10) **Patent No.:** **US D814,602 S**
Studer et al. (45) **Date of Patent:** **** Apr. 3, 2018**

(54) **INSECT TRAP**
(71) Applicant: **GARDNER MANUFACTURING CO., INC.**, Horicon, WI (US)
(72) Inventors: **Bruce R. Studer**, Germantown, WI (US); **Timothy M. Jones**, Phoenix, AZ (US)
(73) Assignee: **Gardner Manufacturing Co., Inc.**, Horicon, WI (US)

D469,150 S * 1/2003 Scrivener D22/122
D498,812 S * 11/2004 Warner D22/122
6,886,292 B2 5/2005 Studer et al.
6,965,205 B2 11/2005 Piegras et al.
7,784,215 B2 8/2010 Cohnstaedt et al.
7,937,887 B2 5/2011 Child
D761,931 S * 7/2016 Zhang D22/122
D776,228 S * 1/2017 Caruso D22/122
2006/0218851 A1 10/2006 Weiss et al.
2007/0124987 A1 6/2007 Brown et al.
2008/0229652 A1 9/2008 Willcox et al.
2010/0071257 A1 3/2010 Tsai
2016/0000060 A1 1/2016 Sandford et al.
2016/0262367 A1 9/2016 Sandford et al.

(**) Term: **15 Years**

FOREIGN PATENT DOCUMENTS

(21) Appl. No.: **29/589,415**
(22) Filed: **Dec. 30, 2016**
(51) **LOC (11) Cl.** **22-06**
(52) **U.S. Cl.**
USPC **D22/122**
(58) **Field of Classification Search**
USPC D22/119-124; 43/112-113, 121, 124, 43/131, 132.1
CPC A01M 1/02; A01M 1/026; A01M 1/145; A01M 23/005; A01M 2200/012
See application file for complete search history.

GB WO9220224 11/1992

* cited by examiner

Primary Examiner — Catherine R Oliver-Garcia
(74) *Attorney, Agent, or Firm* — Nikolai & Merserfail, P.A.; Thomas J. Nikolai

(57) **CLAIM**

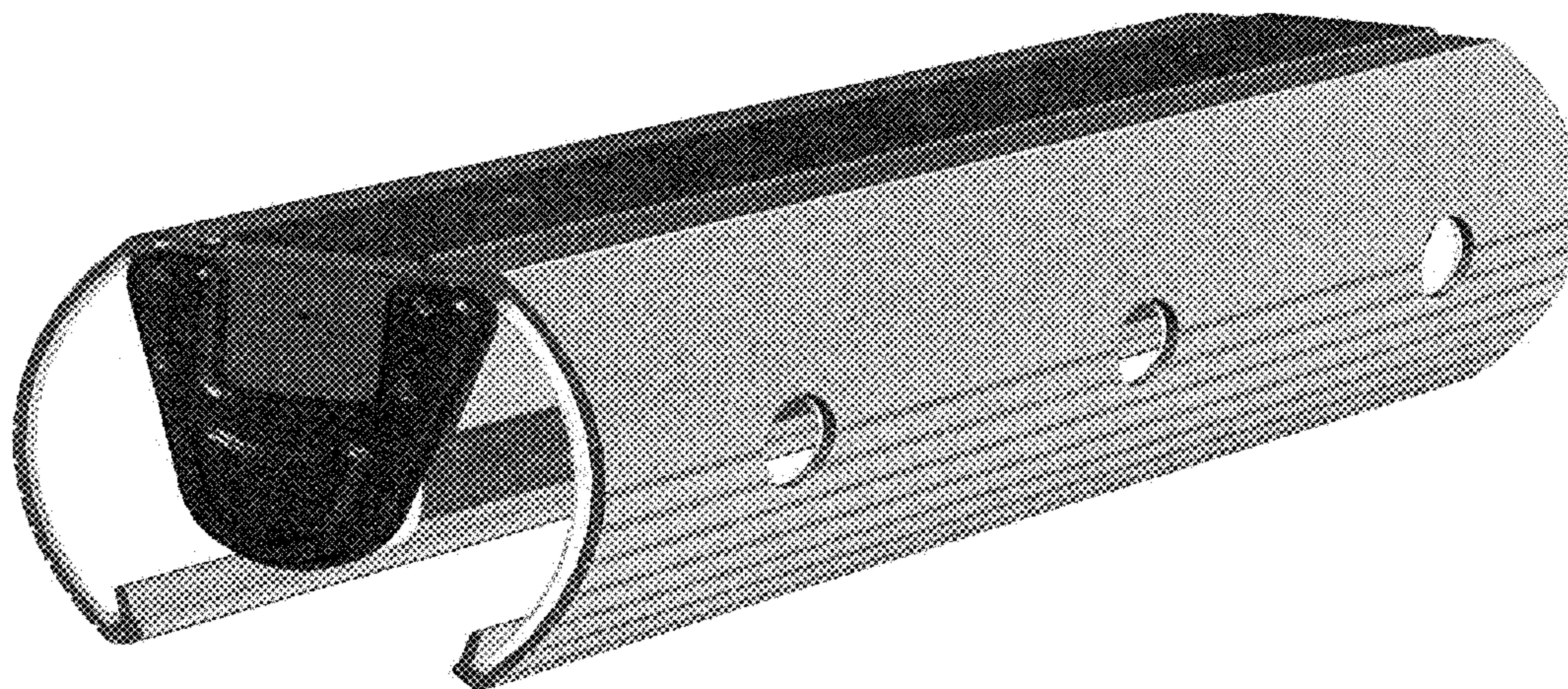
The ornamental design for an insect trap, as substantially shown and described.

DESCRIPTION

FIG. 1 is a perspective view of an insect trap made in accordance with the present invention; FIG. 2 is a front view of the insect trap of FIG. 1; FIG. 3 is a rear view of the insect trap of FIG. 1; FIG. 4 is a top view of the insect trap of FIG. 1; FIG. 5 is a bottom view of the insect trap of FIG. 1; FIG. 6 is a right end view of the insect trap of FIG. 1; and, FIG. 7 is a left end view of the insect trap of FIG. 1.

(56) **References Cited**
U.S. PATENT DOCUMENTS
4,161,079 A * 7/1979 Hill A01M 23/005 43/114
D259,272 S * 5/1981 Duffey D22/122
4,947,578 A * 8/1990 Anderson A01M 1/02 43/131
D346,637 S * 5/1994 Exum D22/122
D358,443 S * 5/1995 Demarest D22/122
5,634,292 A 6/1997 Kitterman

1 Claim, 4 Drawing Sheets



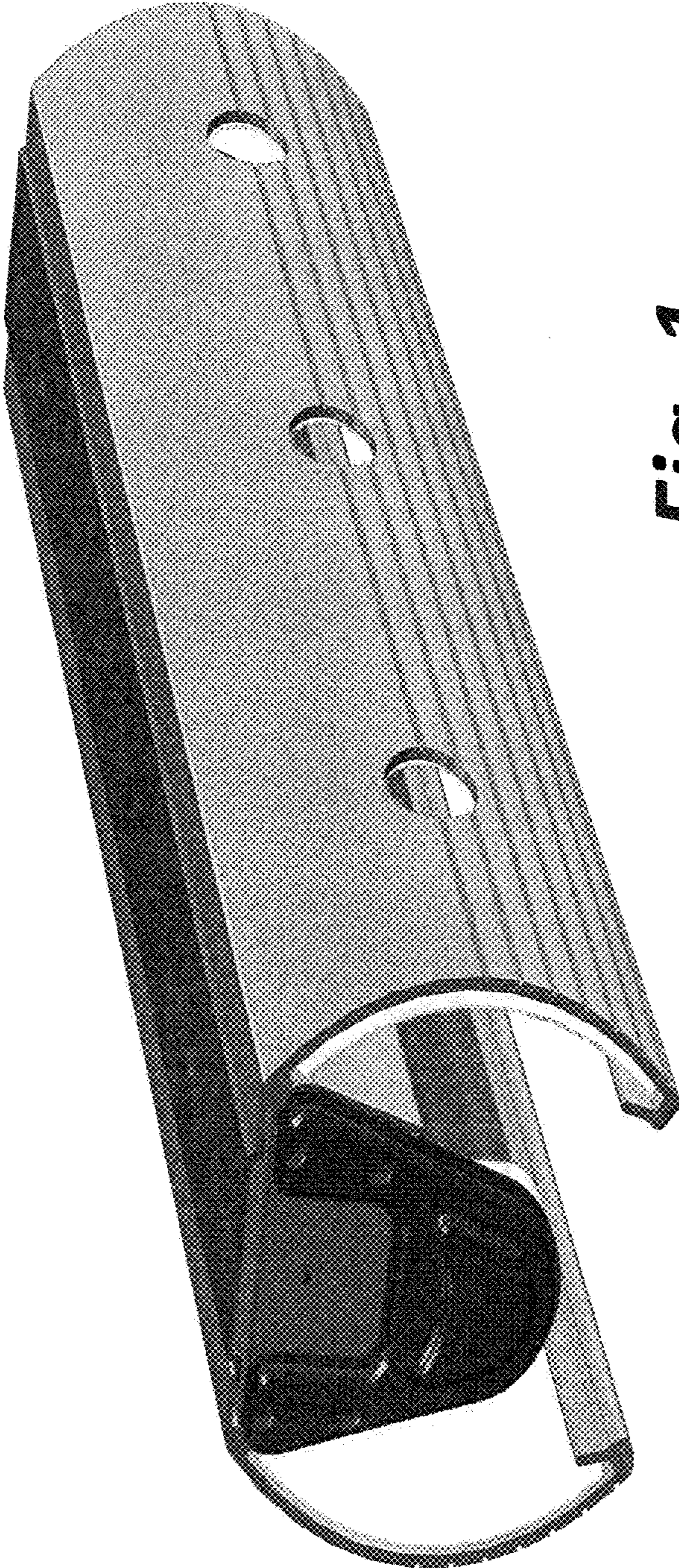


Fig. 1

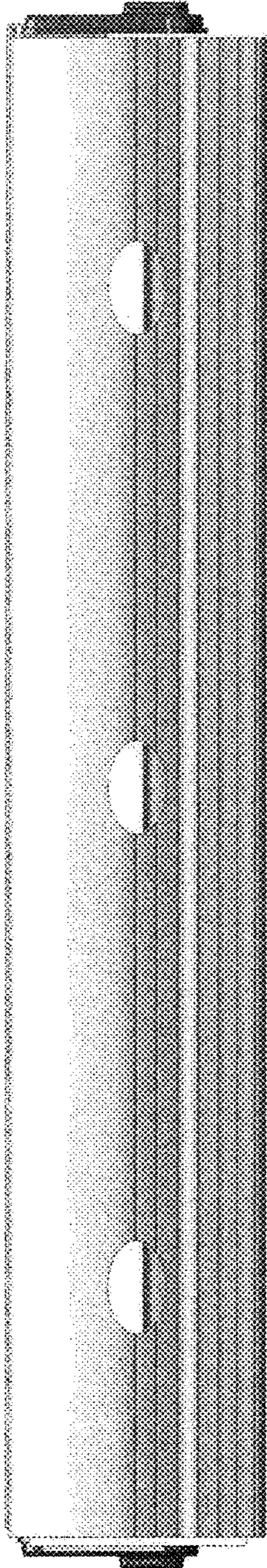


Fig. 2

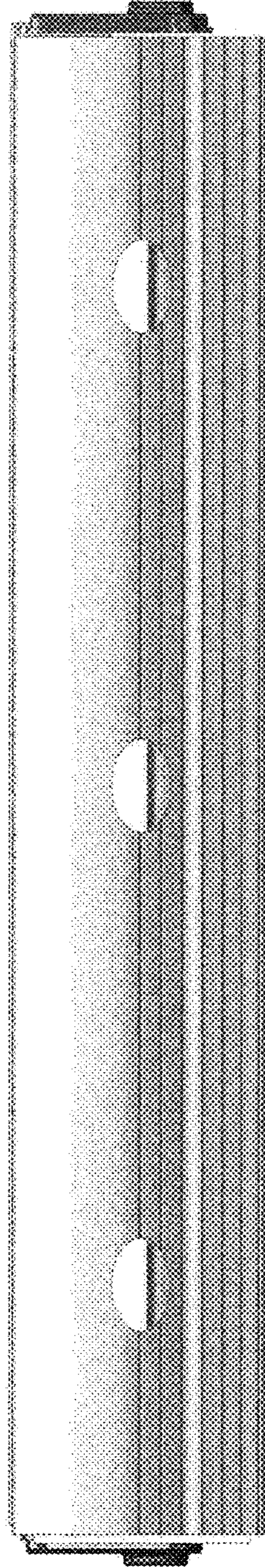


Fig. 3

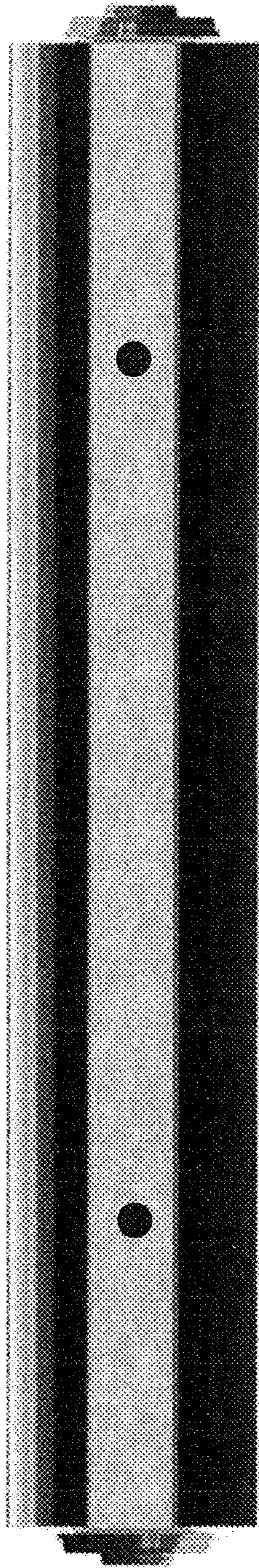


Fig. 4

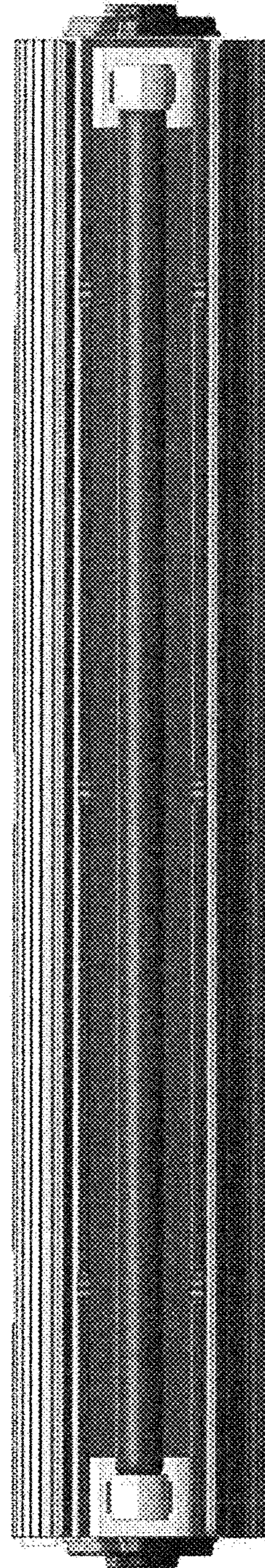


Fig. 5

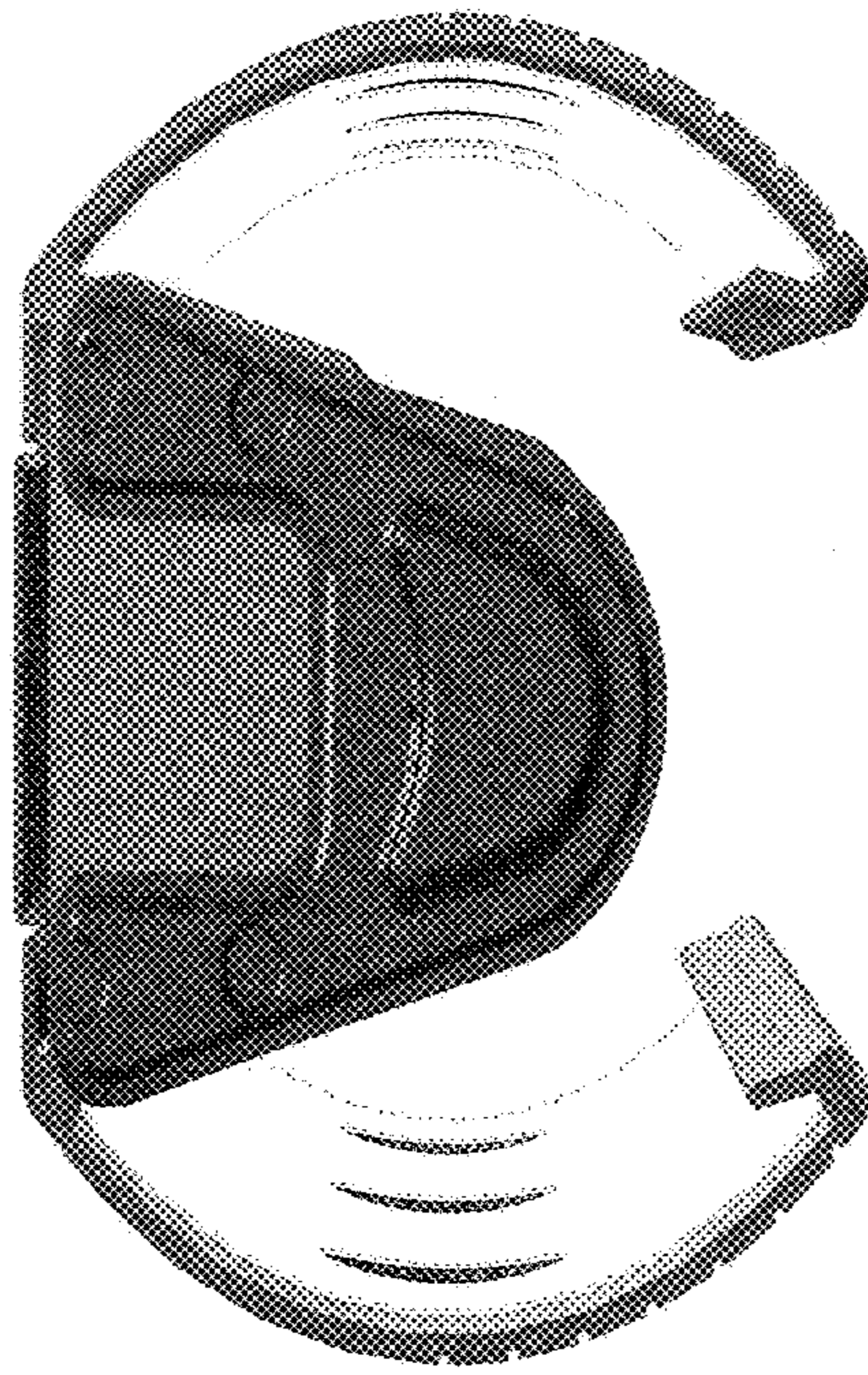


Fig. 6

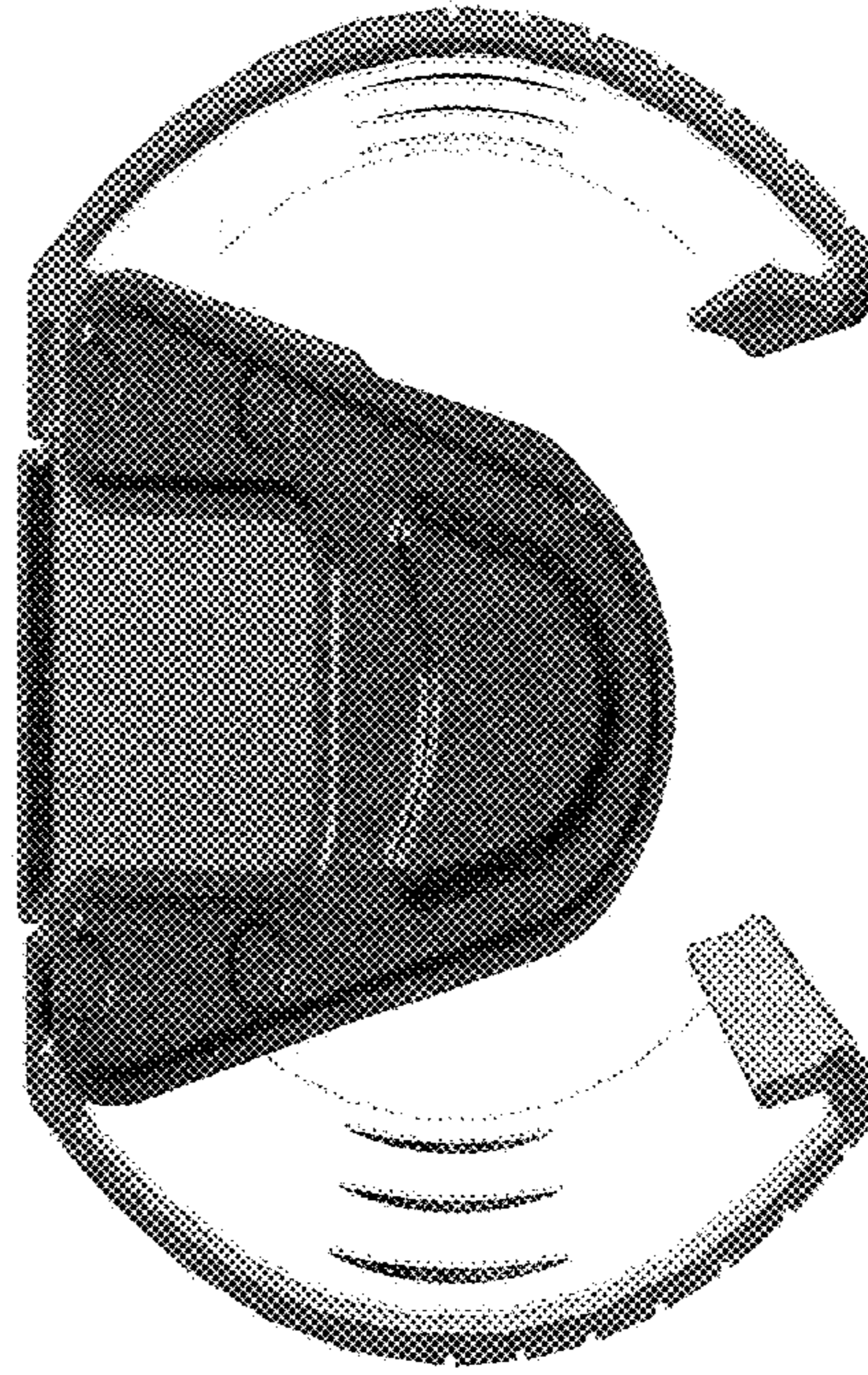


Fig. 7