



US00D814600S

(12) **United States Design Patent** (10) **Patent No.:** **US D814,600 S**  
**Cheng et al.** (45) **Date of Patent:** **\*\* Apr. 3, 2018**

(54) **FIREARM SCOPE**

(71) Applicants: **Carson Cheng**, City of Industry, CA (US); **Jason Michael Cheng**, City of Industry, CA (US); **Richard Thomas**, City of Industry, CA (US)

(72) Inventors: **Carson Cheng**, City of Industry, CA (US); **Jason Michael Cheng**, City of Industry, CA (US); **Richard Thomas**, City of Industry, CA (US)

(73) Assignee: **NcSTAR, Inc.**, City of Industry, CA (US)

(\*\*) Term: **15 Years**

(21) Appl. No.: **29/556,738**

(22) Filed: **Mar. 2, 2016**

(51) **LOC (11) Cl.** ..... **22-01**

(52) **U.S. Cl.**  
USPC ..... **D22/109**

(58) **Field of Classification Search**  
 USPC ..... D22/100, 101, 103, 104, 105, 106, 107, D22/110, 115, 108, 109; D26/38; D21/572-575; D14/418; 42/119, 122, 42/124, 126, 127, 143, 10, 111, 114, 118, 42/120, 123, 125, 132, 85, 90, 113, 117, 42/141, 67; 86/10; 102/450, 451, 452, 102/532, 461  
 CPC .... F41G 11/001; F41G 11/003; F41G 11/004; F41G 11/005; F41G 11/006; F41G 1/00; F41G 1/065; F41G 1/08; F41G 1/17; F41G 1/42; F41G 1/32; F41G 1/35; F41G 1/38; F41G 1/02; F41G 1/12; F41G 1/16; F41G 1/345; F41G 1/425; F41A 21/482; F41A 21/488; F41A 11/02; F41A 3/66; F41C 23/04; F41C 23/10; F41C 23/14; F41C 23/16; F41C 23/20; G02B 23/105; G02B 27/34; G02B 27/10

See application file for complete search history.

(56) **References Cited**

U.S. PATENT DOCUMENTS

4,734,989	A *	4/1988	Sanders	.....	F41G 1/04 42/137
D308,089	S *	5/1990	Sanders	.....	D16/130
4,920,654	A *	5/1990	Sanders	.....	F41G 1/42 42/137
5,025,564	A *	6/1991	Sanders	.....	F41G 1/04 33/297
D332,792	S *	1/1993	Jorlov	.....	D16/132
D346,392	S *	4/1994	Tomita	.....	D16/132
D378,936	S *	4/1997	DePaoli	.....	D22/109

(Continued)

OTHER PUBLICATIONS

Delta 4x30 Scope with White and Red NAV LED, no date available, [online], [site visited Nov. 30, 2016]. Retrieved from <url: http://www.ncstar.com/product/product-detail.aspx?GroupNo=0&ModelNo=VDELP430G>.\*

*Primary Examiner* — Jeffrey D Asch

*Assistant Examiner* — Tracey J Bell

(74) *Attorney, Agent, or Firm* — Raymond Y. Chan; David and Raymond Patent Firm

(57) **CLAIM**

The ornamental design for a firearm scope, as shown and described.

**DESCRIPTION**

FIG. 1 is a perspective view of a firearm scope showing our new design.

FIG. 2 is a rear view of the firearm scope.

FIG. 3 is a front view of the firearm scope.

FIG. 4 is a left view of the firearm scope.

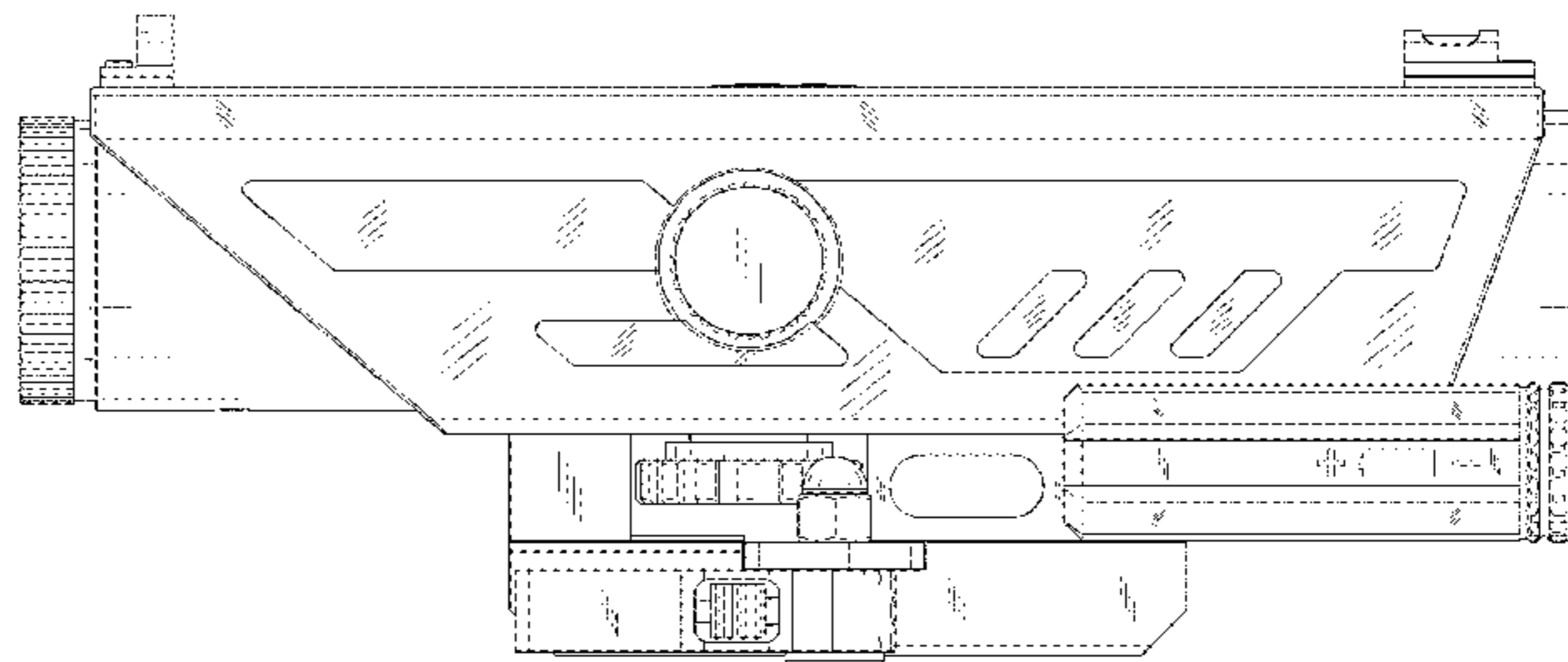
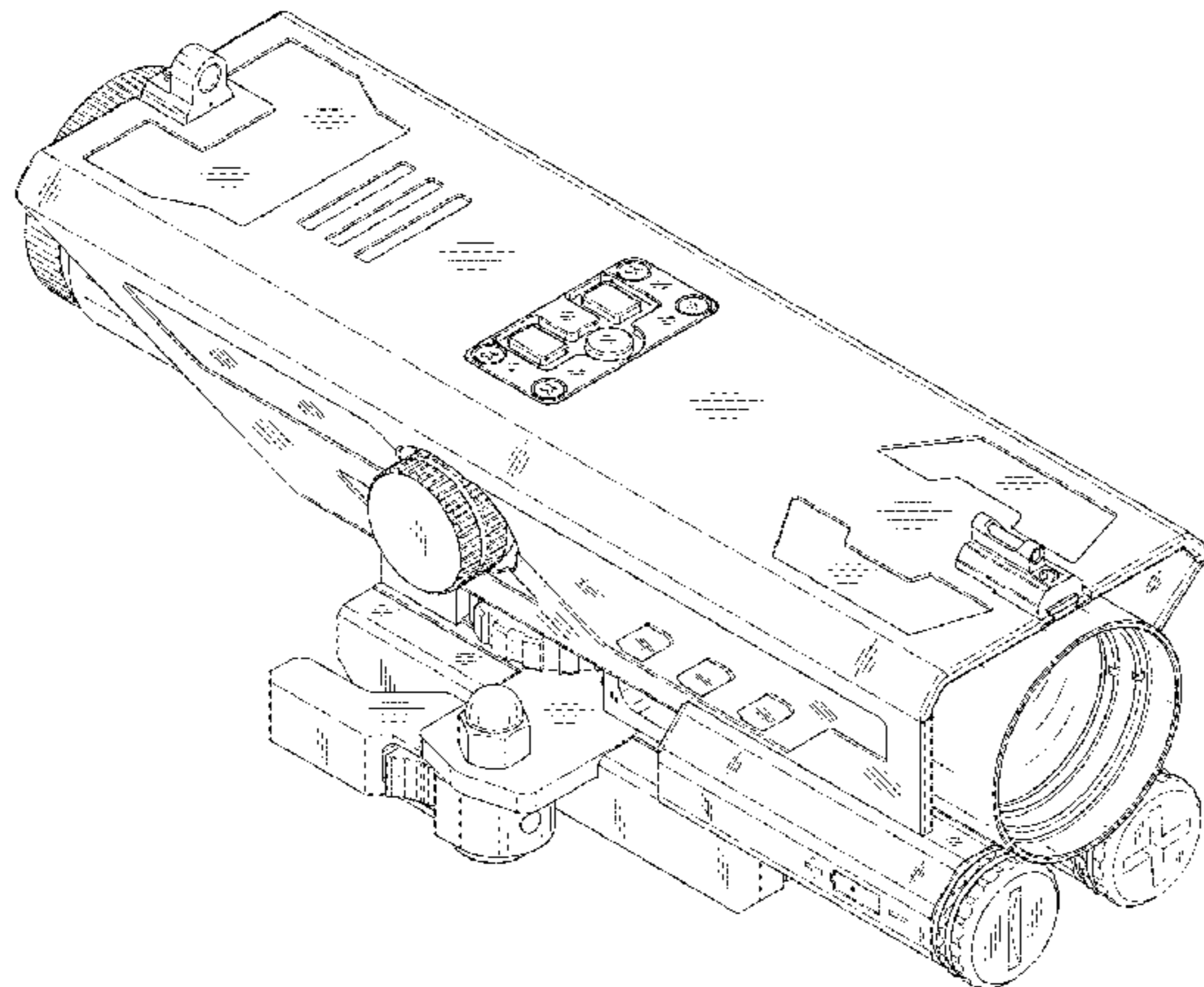
FIG. 5 is a right view of the firearm scope.

FIG. 6 is a top view of the firearm scope; and,

FIG. 7 is a bottom view of the firearm scope.

The broken lines in the figure drawings depict portions of the firearm scope that form no part of the claimed design.

**1 Claim, 7 Drawing Sheets**



(56)

**References Cited**

U.S. PATENT DOCUMENTS

D612,756	S *	3/2010	D'Amelio	.....	D10/70
D618,717	S *	6/2010	Frank	.....	D16/203
D619,190	S *	7/2010	Larsson	.....	D22/108
D672,839	S *	12/2012	Ding	.....	D22/109
D676,096	S *	2/2013	Gambino	.....	D22/109
D704,297	S *	5/2014	Cheng	.....	D22/109
D741,446	S *	10/2015	Cheng	.....	D22/109
D747,431	S *	1/2016	Cheng	.....	D22/109
D750,685	S *	3/2016	Santos	.....	D16/208
D757,886	S *	5/2016	Cheng	.....	D22/109
D762,806	S *	8/2016	Chavez	.....	D22/109
D774,158	S *	12/2016	Cheng	.....	D22/109
D781,990	S *	3/2017	Cheng	.....	D22/109
D783,116	S *	4/2017	Cheng	.....	D22/109
2005/0241209	A1 *	11/2005	Staley, III	.....	F41G 1/52 42/111
2011/0296732	A1 *	12/2011	Carlson	.....	F41G 11/008 42/90
2012/0055063	A1 *	3/2012	Lindau	.....	F41G 1/30 42/113
2014/0237884	A1 *	8/2014	Koesler	.....	F41G 1/30 42/119

\* cited by examiner

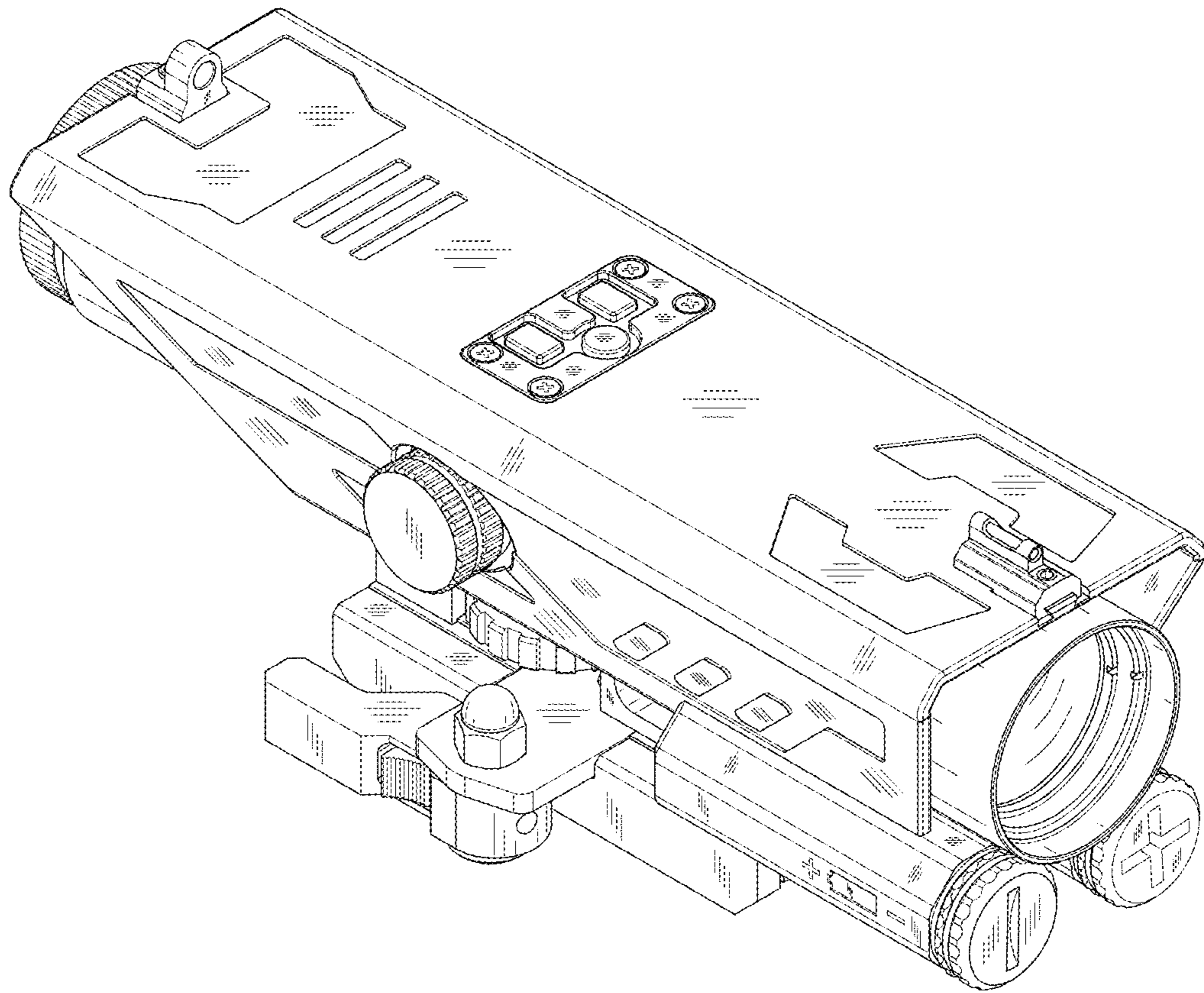


FIG.1

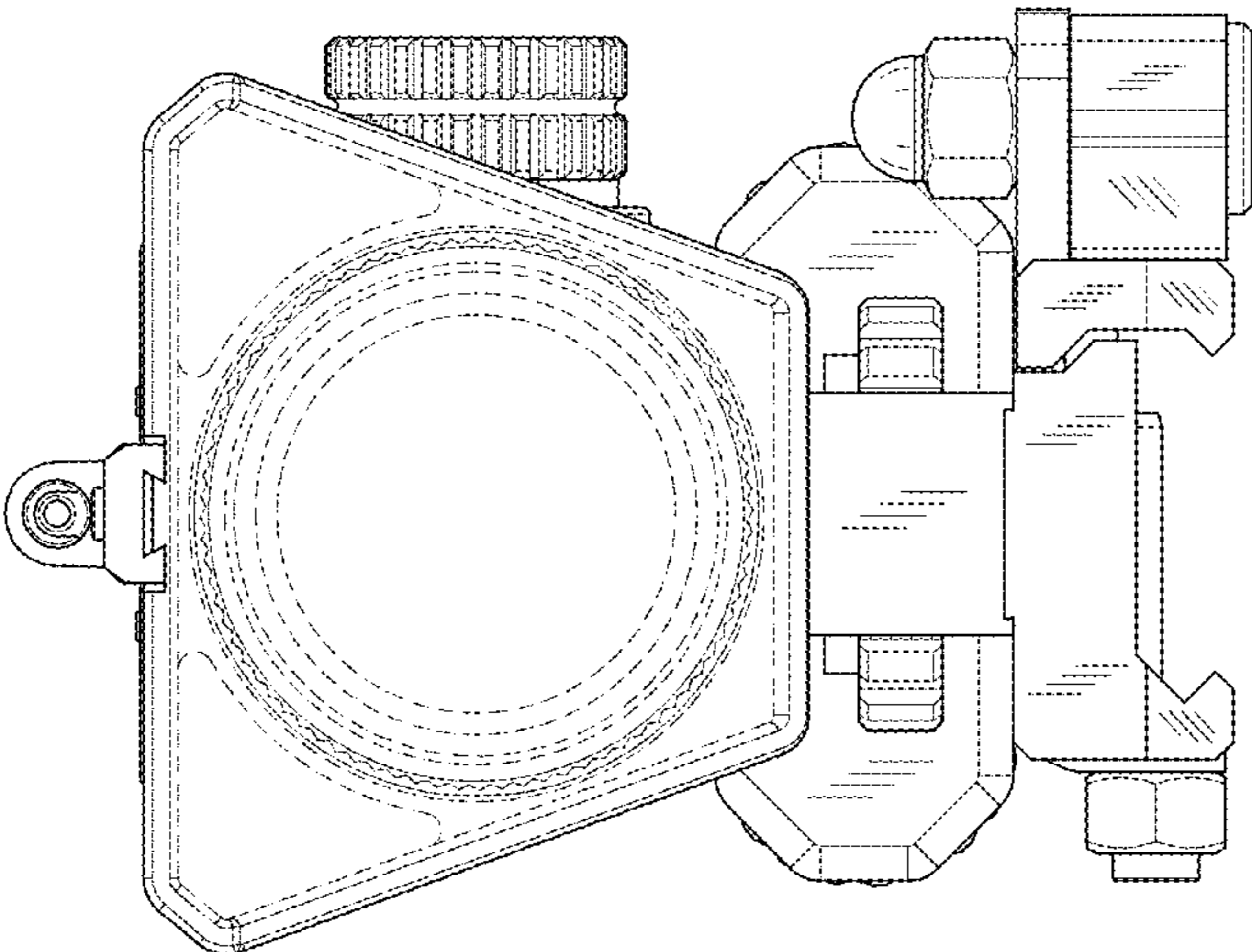


FIG.2

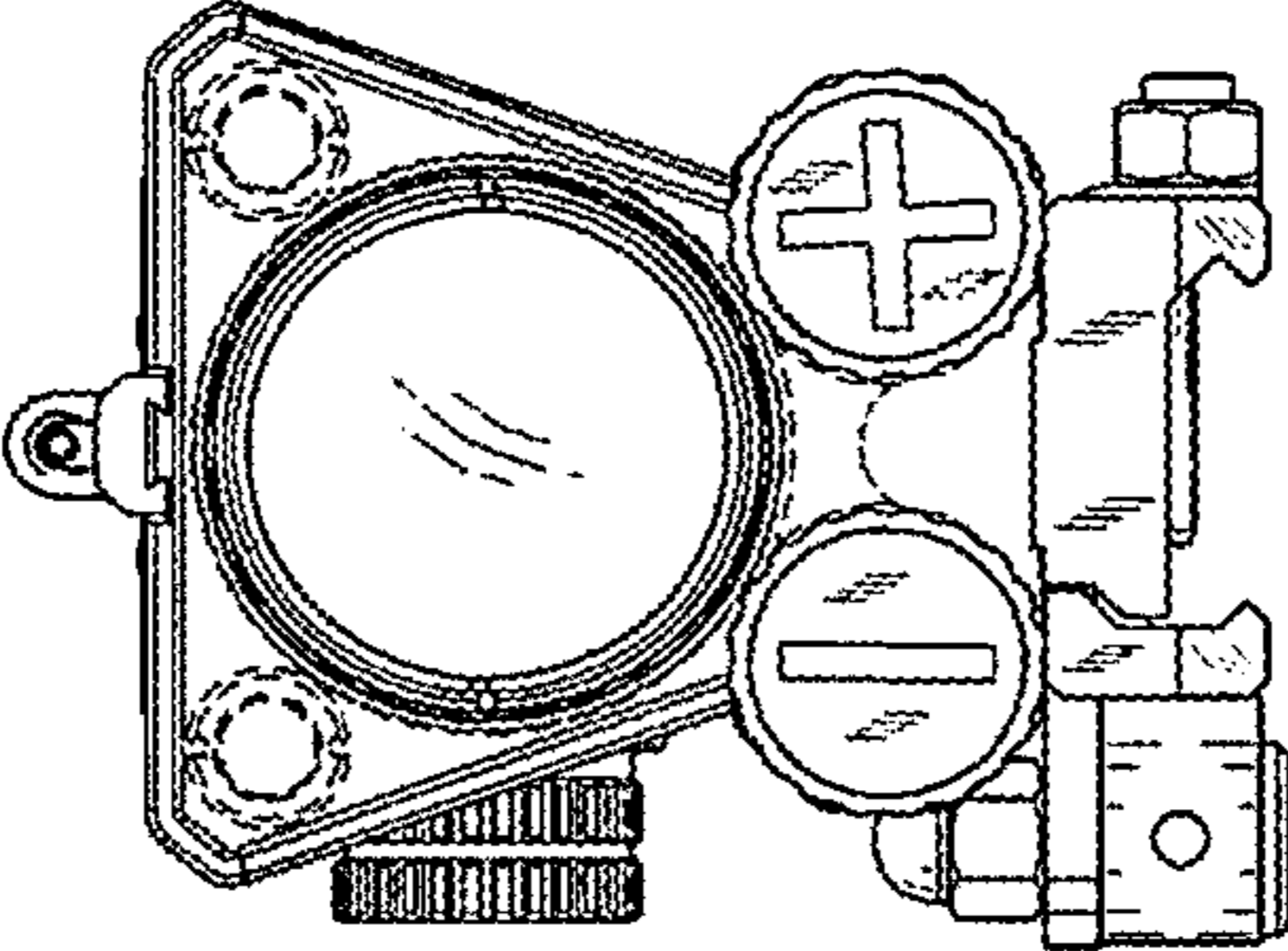


FIG.3

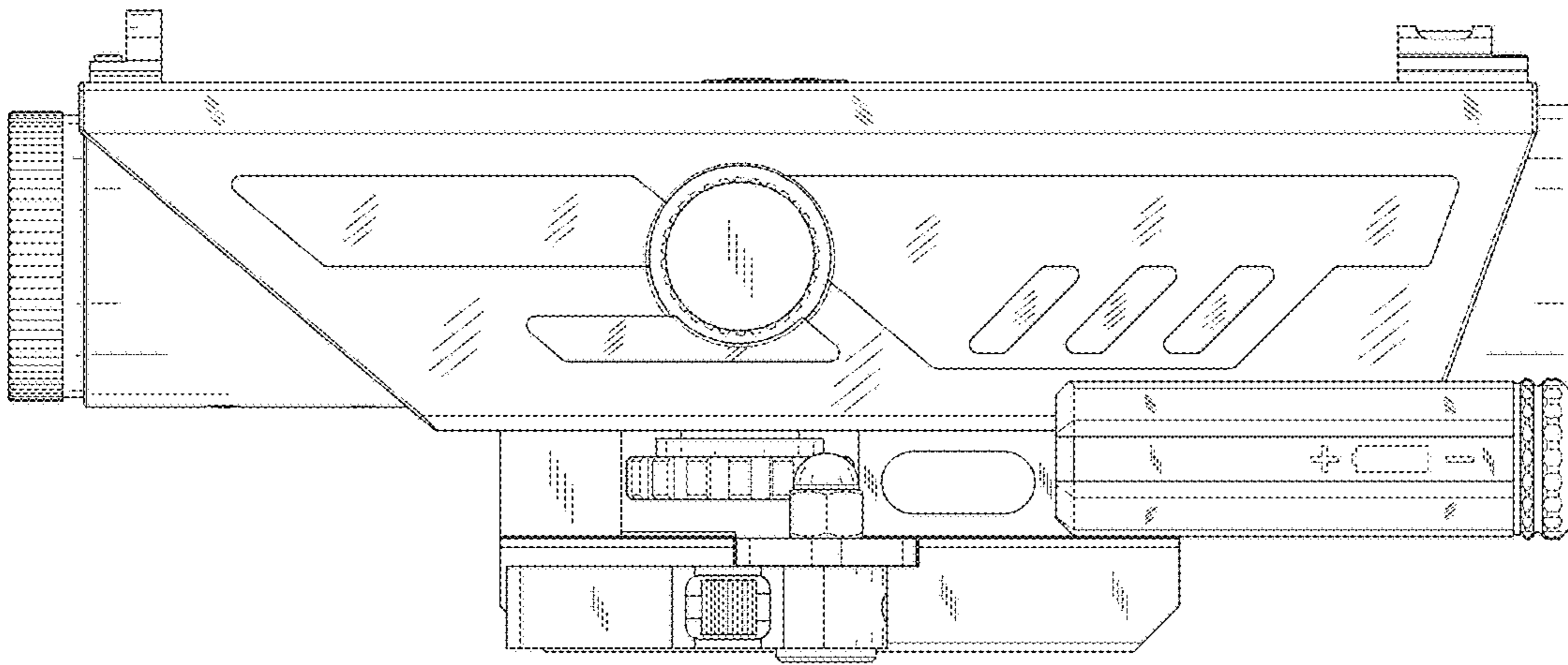


FIG.4

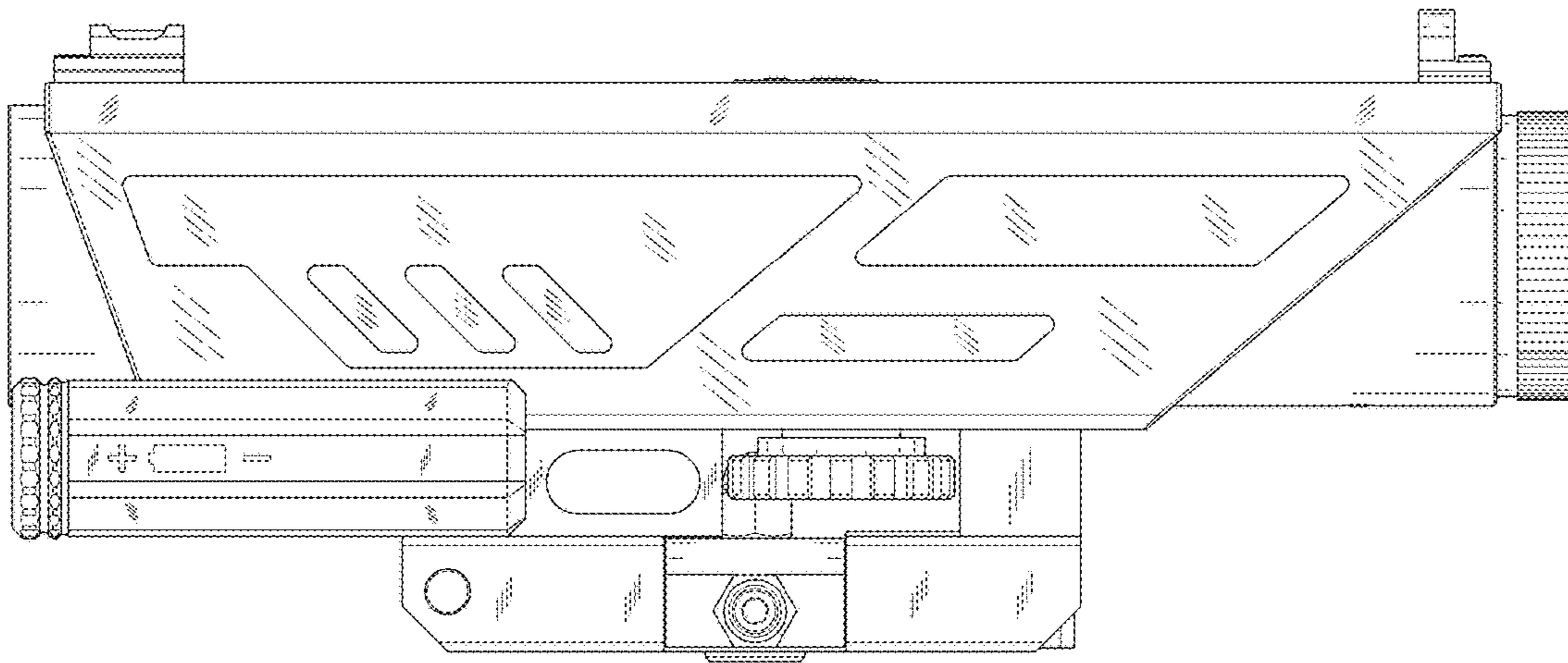


FIG.5

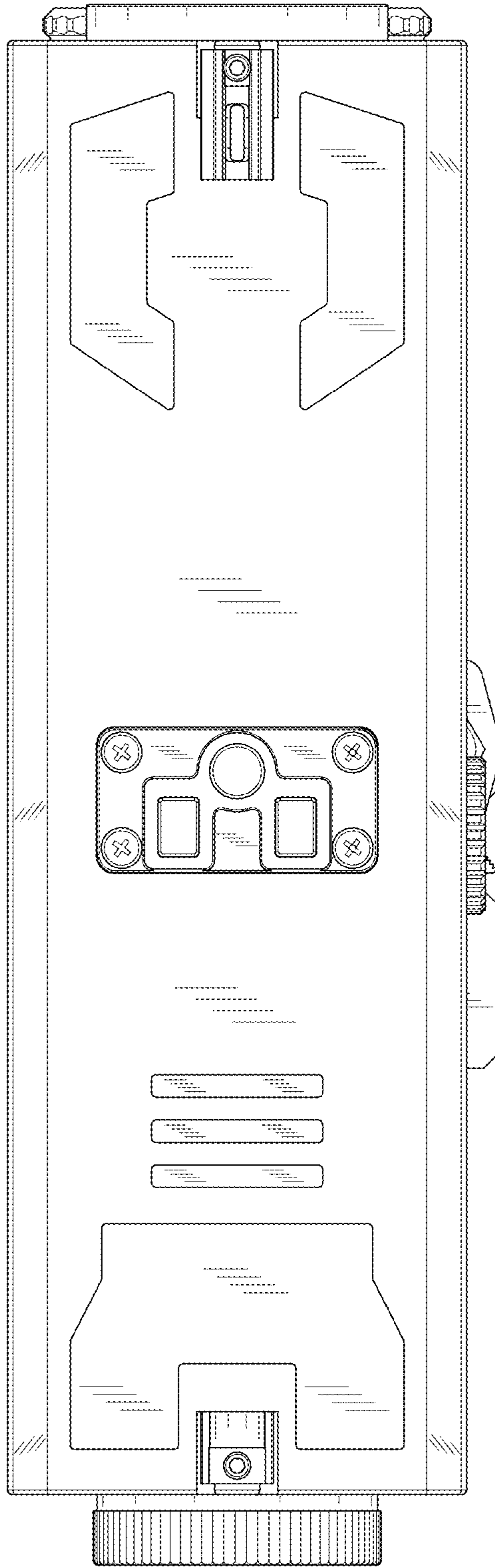


FIG. 6



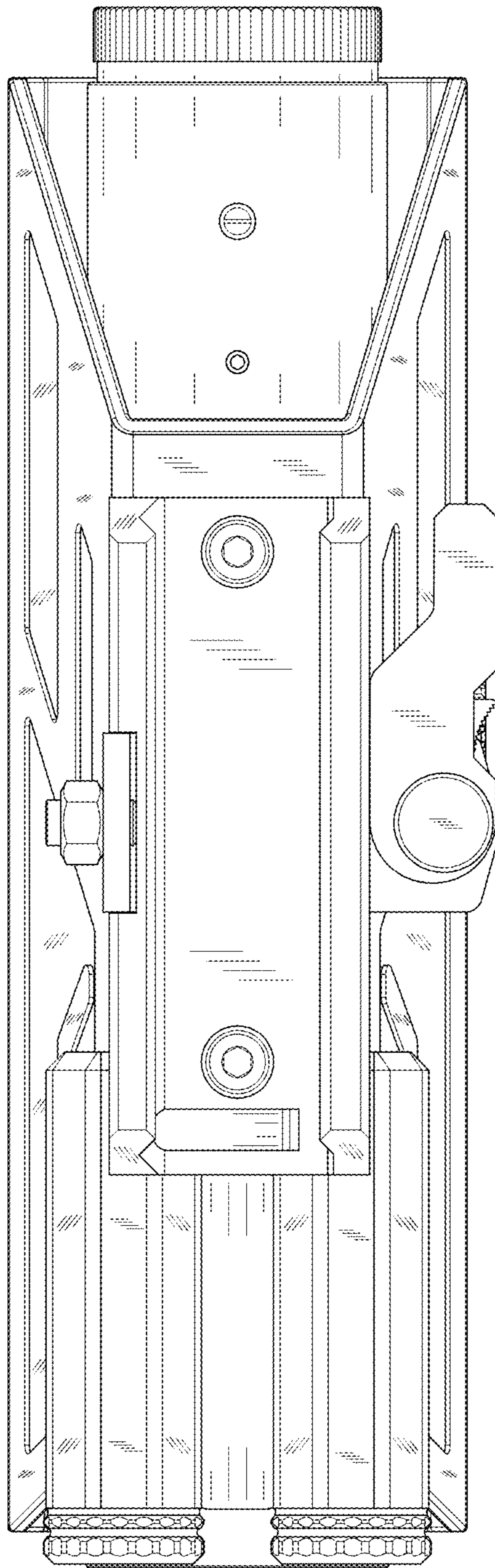


FIG.7