



US00D814599S

(12) **United States Design Patent**
Podgurny

(10) **Patent No.:** **US D814,599 S**
(45) **Date of Patent:** **** Apr. 3, 2018**

(54) **RIFLE VENTED UPPER RECEIVER**

(71) Applicant: **F-1 RESEARCH, LLC—PATENTS SERIES**, Spring, TX (US)

(72) Inventor: **Dion Podgurny**, Spring, TX (US)

(73) Assignee: **F-1 Research, LLC**, Spring, TX (US)

(**) Term: **15 Years**

(21) Appl. No.: **29/583,060**

(22) Filed: **Nov. 2, 2016**

(51) **LOC (11) Cl.** **22-01**

(52) **U.S. Cl.**
USPC **D22/108**

(58) **Field of Classification Search**
USPC D22/103, 108; D21/572–575; D14/418;
42/71.01, 75.01, 75.02, 90, 94, 134, 136,
42/139, 125, 72, 111; 89/40.06, 41.19,
89/37.04, 33.04, 191.01, 200–204;
124/66, 67, 72, 74
CPC F41C 23/00; F41C 27/00; F41C 27/06;
F41C 23/10; F41C 23/14; F41C 23/16;
F41C 23/18
See application file for complete search history.

(56) **References Cited**

U.S. PATENT DOCUMENTS

D544,564 S * 6/2007 Swan D22/108
D556,289 S * 11/2007 Yu D22/108
7,798,045 B1 * 9/2010 Fitzpatrick F41A 21/481
42/69.02
D631,933 S * 2/2011 Thompson D22/108
D674,859 S * 1/2013 Robbins D22/108
8,689,478 B2 * 4/2014 Patel F41A 3/66
42/75.02
D708,693 S * 7/2014 Faxon D22/108
D713,483 S * 9/2014 Firpo D22/108
D717,904 S * 11/2014 Oglesby D22/108

D720,032 S * 12/2014 Boutin D22/108
8,910,406 B1 * 12/2014 Huang F41A 3/66
42/16
8,925,236 B1 * 1/2015 Mayberry F41G 11/005
42/124
D745,621 S * 12/2015 Huang D22/108
(Continued)

OTHER PUBLICATIONS

UDR-15 3G Style 2 Universal Receiver Set, F-1Firearms.com, [online], [site visited Oct. 17, 2017]. <URL: <http://f-1firearms.com/udr-15-3g-style-2-universal-receiver-set/>> (Year: 2017).*

(Continued)

Primary Examiner — T. Chase Nelson
Assistant Examiner — Jonathan J. Han
(74) *Attorney, Agent, or Firm* — Dossey & Jones, PLLC; James P. Dossey; Phillip Black

(57) **CLAIM**

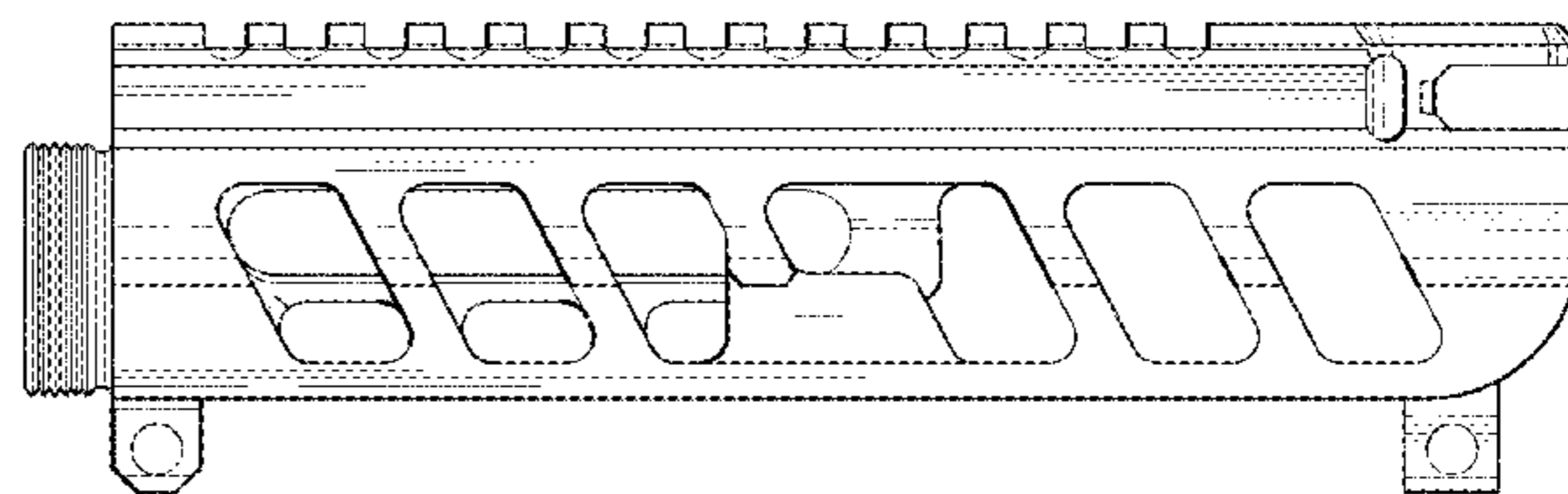
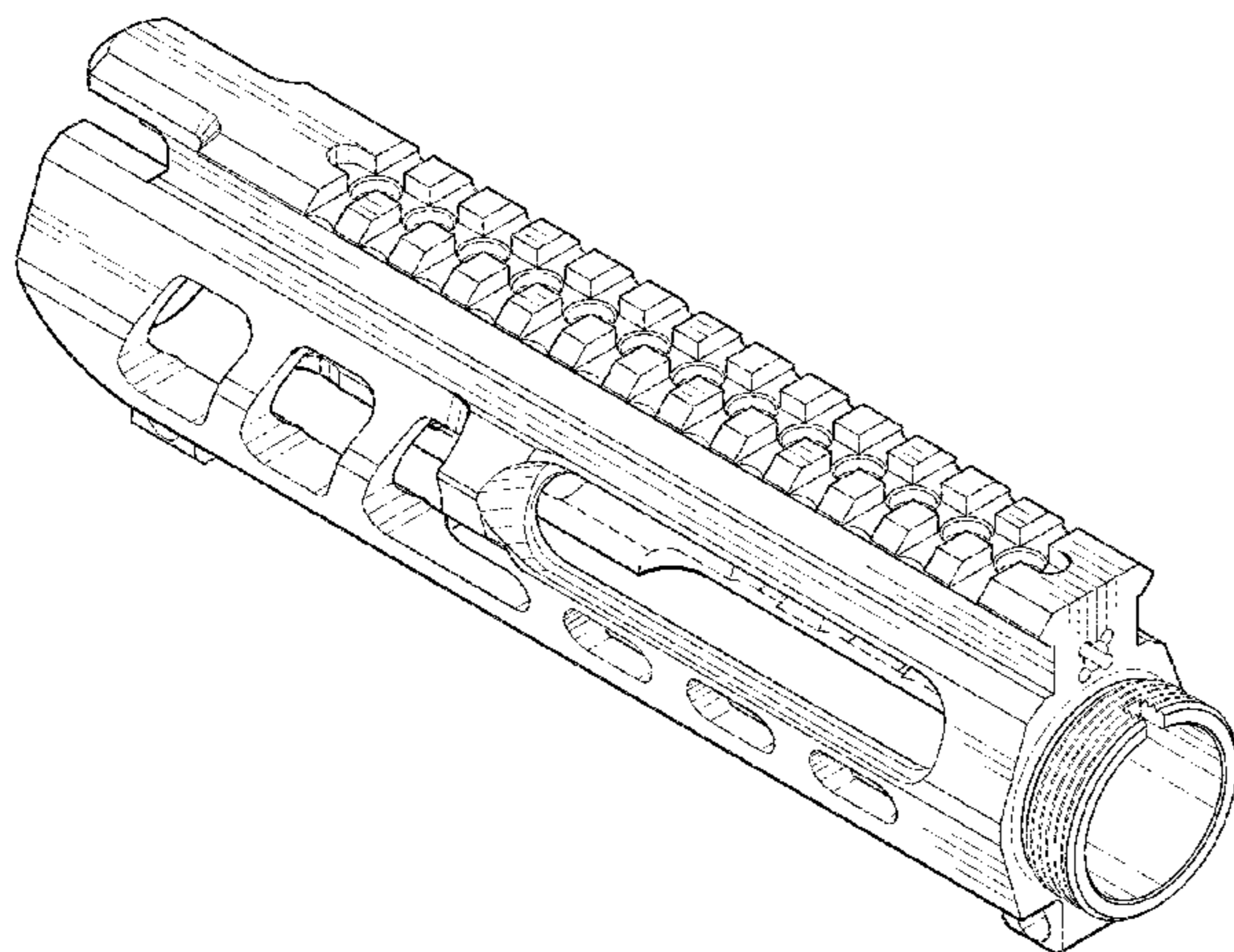
The ornamental design for a rifle vented upper receiver, as shown and described.

DESCRIPTION

FIG. 1 is an isometric front right side view of an embodiment of my design for a rifle vented upper receiver; FIG. 2 is a right side elevational view thereof; FIG. 3 is a left side elevational view thereof; FIG. 4 is a top view thereof; FIG. 5 is a bottom view thereof; FIG. 6 is a front elevational view thereof; and, FIG. 7 is a rear elevational view thereof.

The surface shading is for purposes of illustrating the contour and appearance of the claimed surface upon which it is illustrated, but is not actually seen on the surfaces of the rifle vented upper receiver. The broken lines are used to show unclaimed portions of the invention and form no part of the claimed design.

1 Claim, 3 Drawing Sheets



(56)

References Cited

U.S. PATENT DOCUMENTS

D748,754 S * 2/2016 Chastain D22/108
 9,303,949 B1 * 4/2016 Oglesby F41A 3/66
 D760,860 S * 7/2016 Vincent D22/108
 D763,397 S * 8/2016 Huang D22/108
 D768,801 S * 10/2016 Morris D22/108
 D771,216 S * 11/2016 Dubois D22/108
 D779,014 S * 2/2017 Cheng D22/108
 D783,760 S * 4/2017 Pavlick D22/108
 D783,761 S * 4/2017 Pavlick D22/108
 D785,743 S * 5/2017 Pavlick D22/108
 D787,005 S * 5/2017 Capps D22/108
 2010/0319231 A1 * 12/2010 Stone F41C 23/16
 42/71.01
 2012/0174451 A1 * 7/2012 Overstreet F41A 3/12
 42/16
 2014/0000142 A1 * 1/2014 Patel F41C 23/16
 42/14
 2014/0026459 A1 * 1/2014 Yan F41C 23/16
 42/71.01

2014/0075804 A1 * 3/2014 Langevin F41C 23/16
 42/16
 2014/0115936 A1 * 5/2014 Kenney F41A 3/66
 42/16
 2014/0352191 A1 * 12/2014 Fritz F41A 5/18
 42/75.03
 2015/0345879 A1 * 12/2015 Jen F41A 3/66
 42/75.01
 2017/0261276 A1 * 9/2017 Morris F41A 15/16

OTHER PUBLICATIONS

UDR-2 Style 2 Receiver Sets in stock and available Online, Instagram.com, flfirearms, Jul. 10, 2017, [online], [site visited Oct. 17, 2017]. <URL: <https://www.instagram.com/p/BWYEZSaj3HO/?hl=en&taken-by=flfirearms>> (Year: 2017).*

New F1 Firearms Gen2 UDR Standard and Lefty Billet Receivers, ar15news.com, Posted on: Jul. 17, 2017 by: ar15news, [online], [site visited Oct. 17, 2017]. <URL: <http://www.ar15news.com/category/manufacturers/f-1-firearms/>> (Year: 2017).*

* cited by examiner

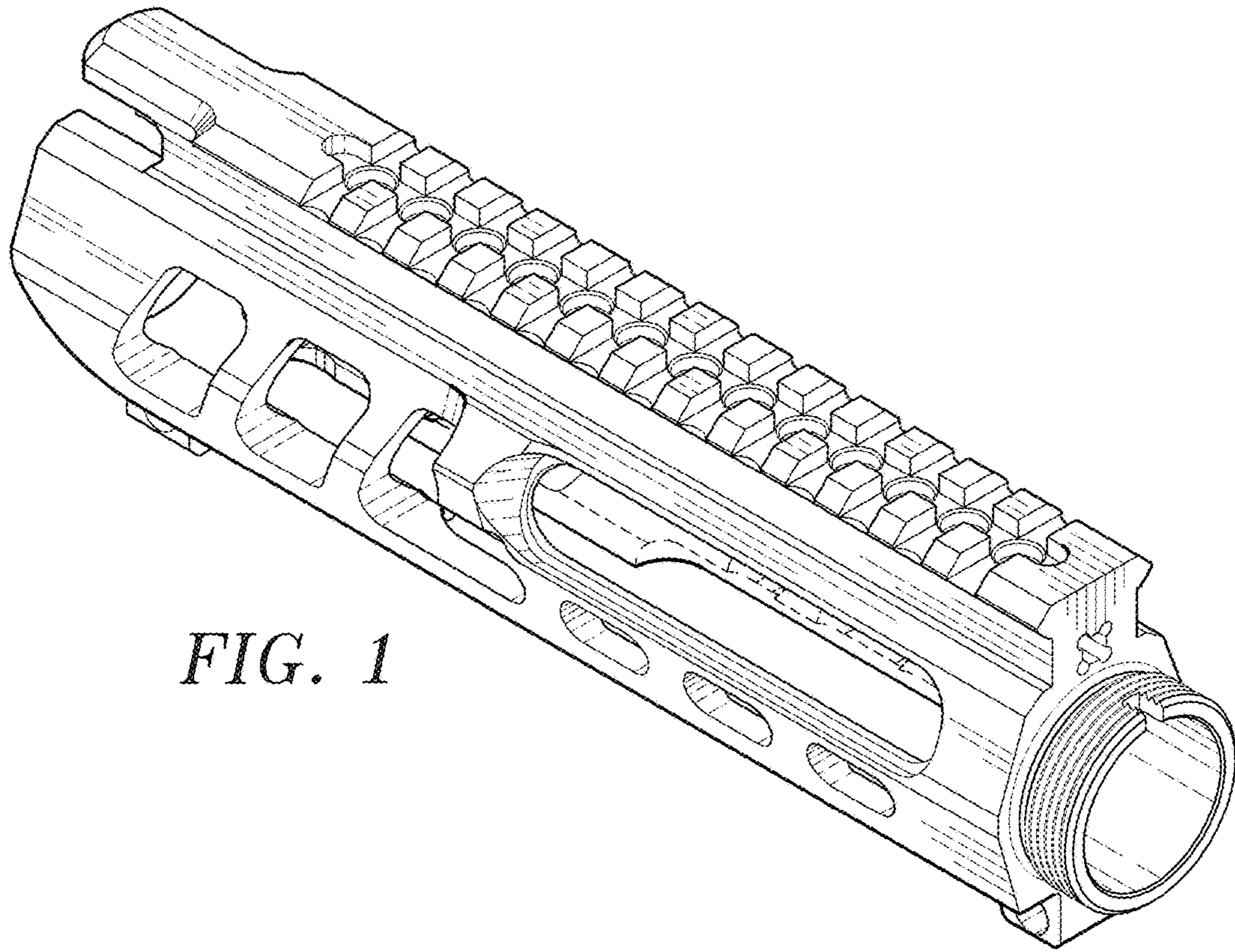


FIG. 1

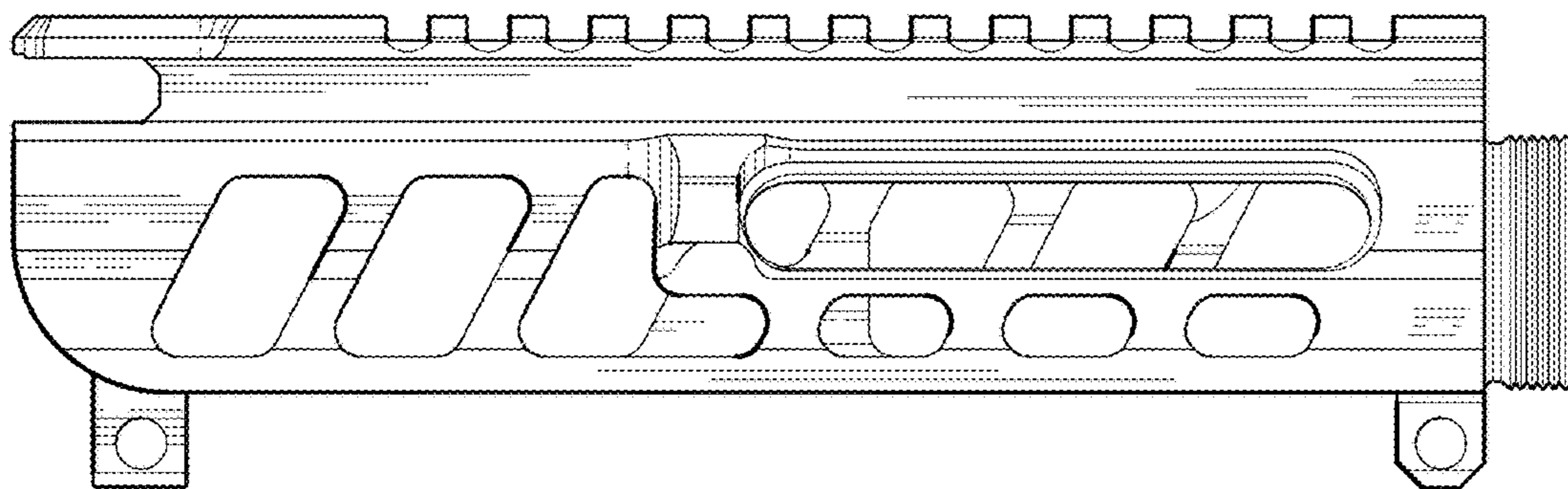


FIG. 2

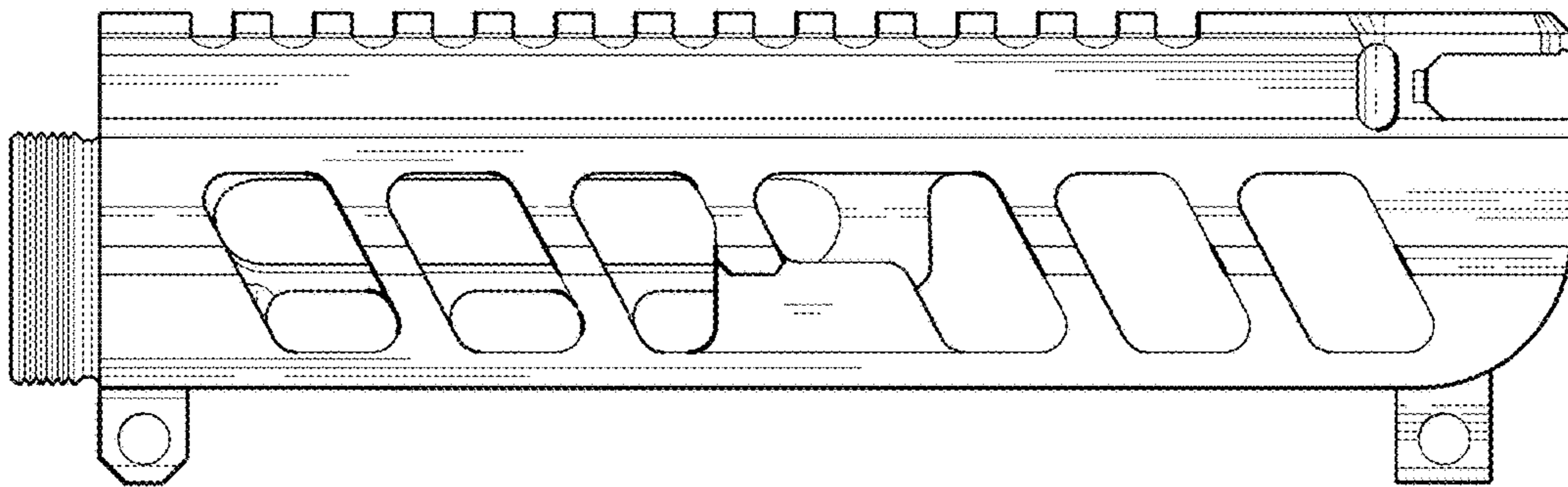


FIG. 3

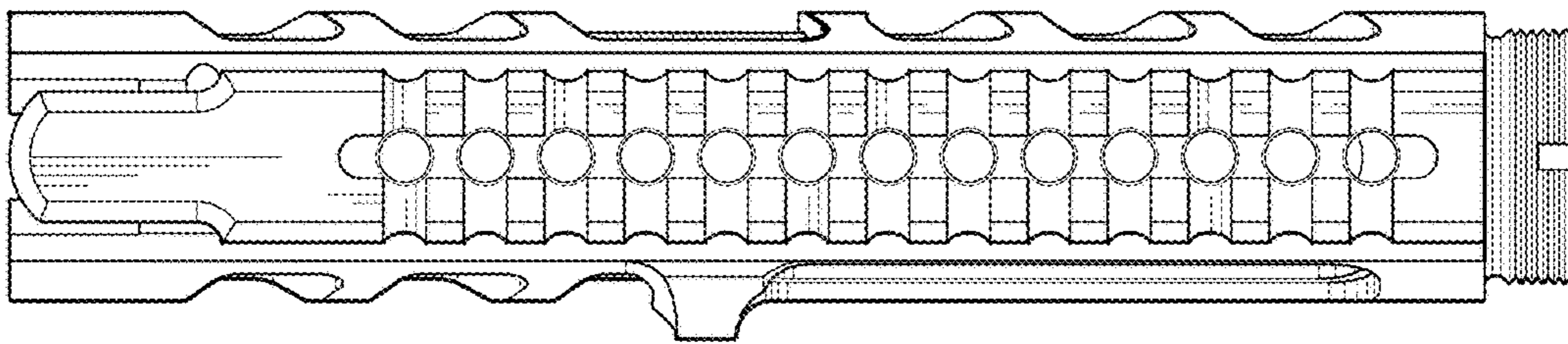


FIG. 4

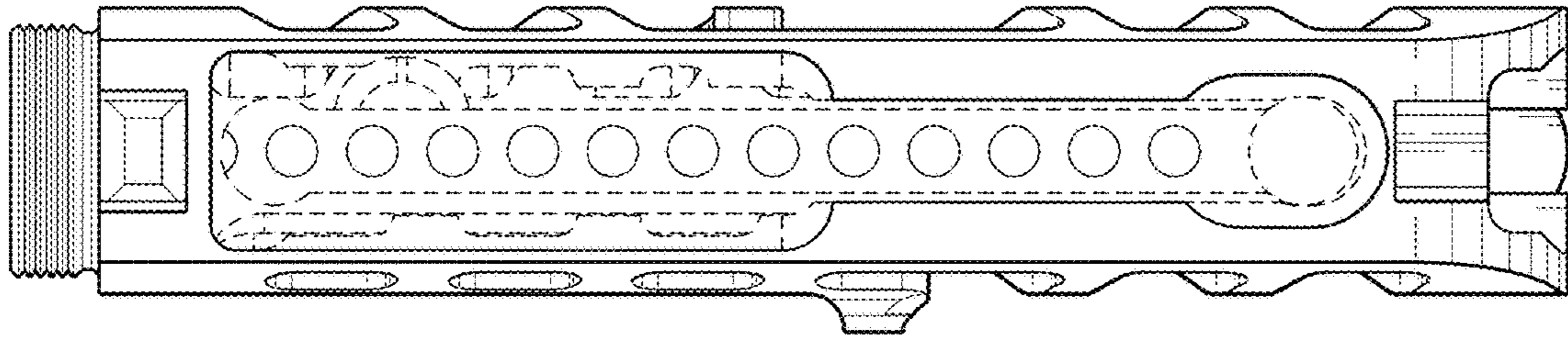


FIG. 5

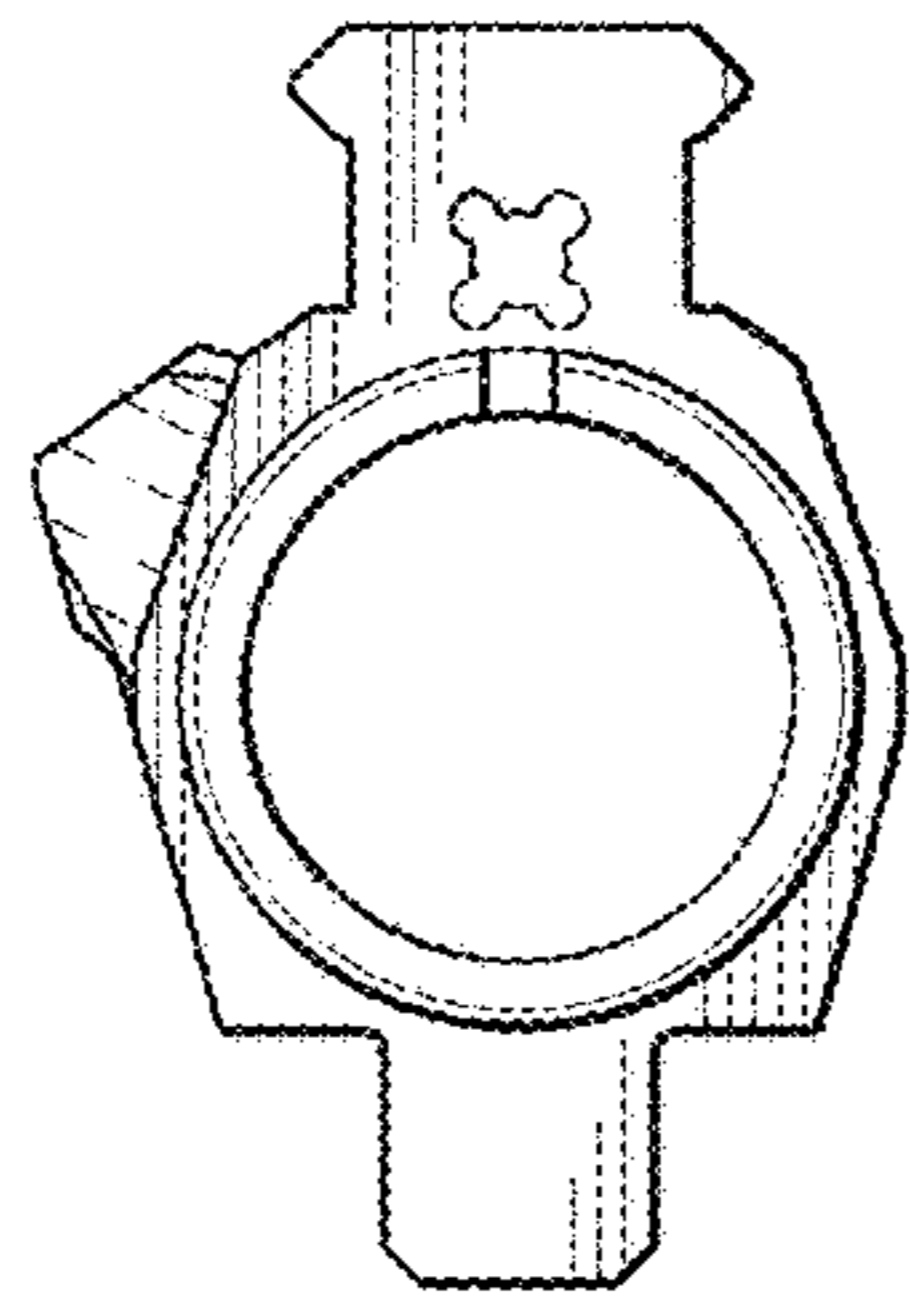


FIG. 6

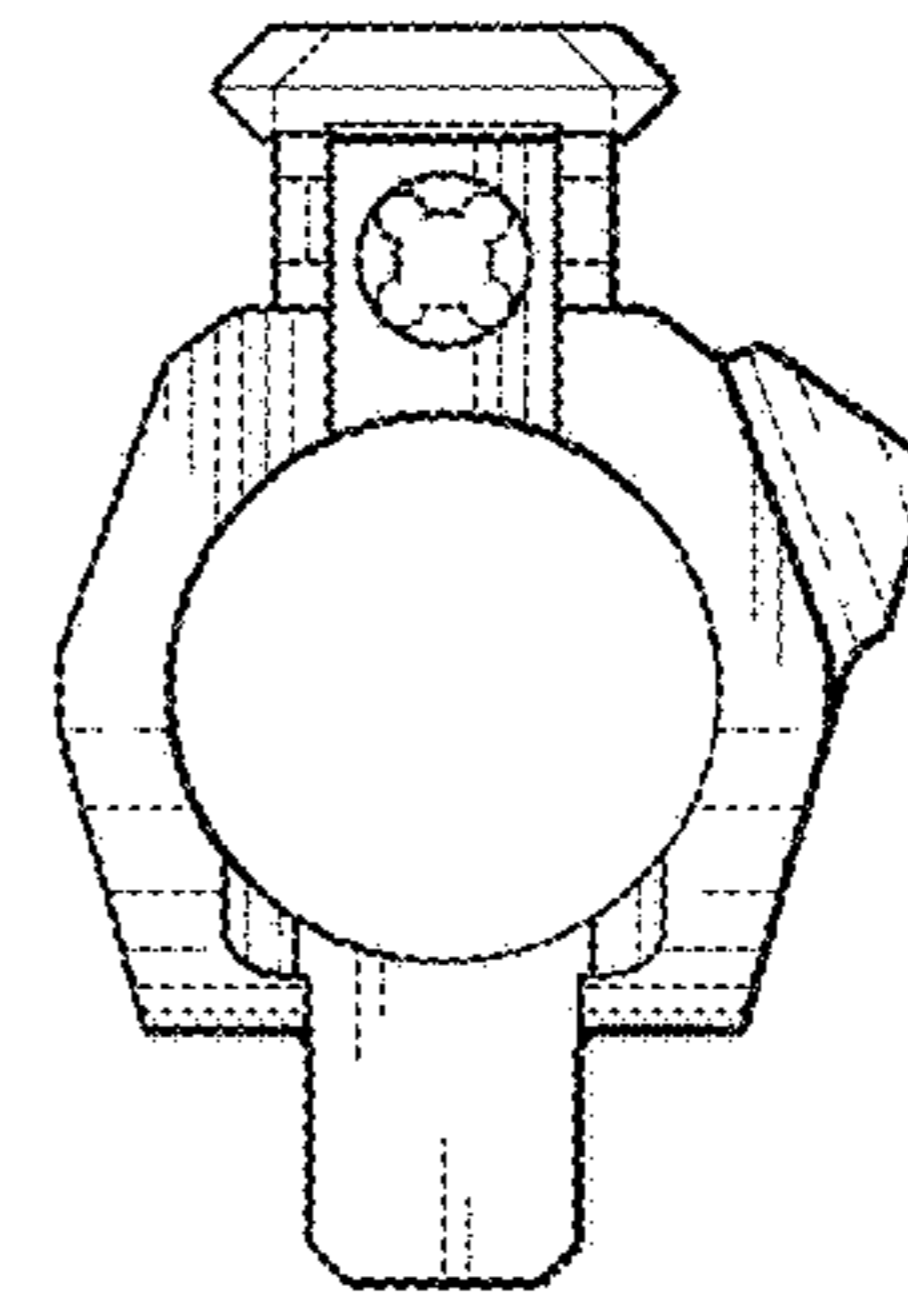


FIG. 7