



US00D814598S

(12) **United States Design Patent**
Monti

(10) **Patent No.:** **US D814,598 S**

(45) **Date of Patent:** **** Apr. 3, 2018**

(54) **HAPTIC SIMULATOR**

(71) Applicant: **HAPTECH, INC.**, New Orleans, LA (US)

(72) Inventor: **Kyle R Monti**, Luling, LA (US)

(73) Assignee: **Haptech, Inc.**, New Orleans, LA (US)

(**) Term: **15 Years**

(21) Appl. No.: **29/583,037**

(22) Filed: **Nov. 1, 2016**

(51) **LOC (11) Cl.** **22-01**

(52) **U.S. Cl.**
USPC **D22/108**

(58) **Field of Classification Search**

USPC D22/103, 100, 101, 104, 105, 108-110;
D21/572-575, 333, 401, 461, 567, 568;
D14/418; 124/16, 26, 27, 28, 29, 54,
124/73-77; 222/78, 79; 42/54, 57, 58;
446/23, 182, 192, 401, 403, 405-407,
446/473, 475
CPC F41A 5/18; F41A 5/24; F41A 21/28; F41C
23/00; F41C 27/00; F41C 27/06; F41C
7/00; F41C 7/11; F41C 7/12; F41B 11/89;
F41B 7/08

See application file for complete search history.

(56) **References Cited**

U.S. PATENT DOCUMENTS

1,332,556 A * 3/1920 Jelinek A63H 5/04
446/182
1,357,061 A * 10/1920 Kliemant A63H 27/14
446/41
1,452,902 A * 4/1923 Williamson F41B 7/025
124/18
2,356,706 A * 8/1944 Sigg A63H 5/04
446/405
2,892,289 A * 6/1959 Ryan A63H 5/04
124/2
D590,907 S * 4/2009 Barnett D22/107

D645,110 S * 9/2011 Cook D22/108
D662,167 S * 6/2012 Juarez D22/103
D693,420 S * 11/2013 Abbott D22/103
D702,793 S * 4/2014 Burt D22/103
D702,797 S * 4/2014 Donnelly D22/108
D706,376 S * 6/2014 Maes D22/108
D715,882 S * 10/2014 Jonker D22/103
D723,128 S * 2/2015 Hu D22/103

(Continued)

OTHER PUBLICATIONS

“Striker VR Rifle”: the indispensable VR accessory for shooting games, StrikerVR.com, Mar. 16, 2017, [online], [site visited Oct. 25, 2017]. <URL: <https://www.strikervr.com/single-post/2015/11/10/Summer-breeze-skateboards-the-perfect-combination>> (Year: 2017).*

(Continued)

Primary Examiner — T. Chase Nelson

Assistant Examiner — Jonathan J. Han

(74) *Attorney, Agent, or Firm* — Jason P. Mueller; Adams and Reese LLP

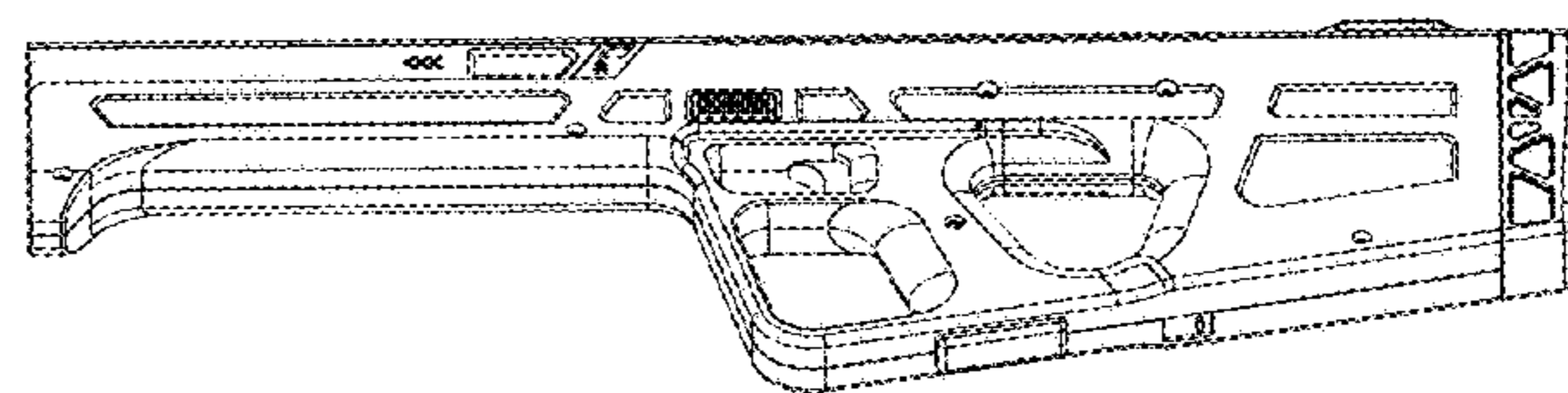
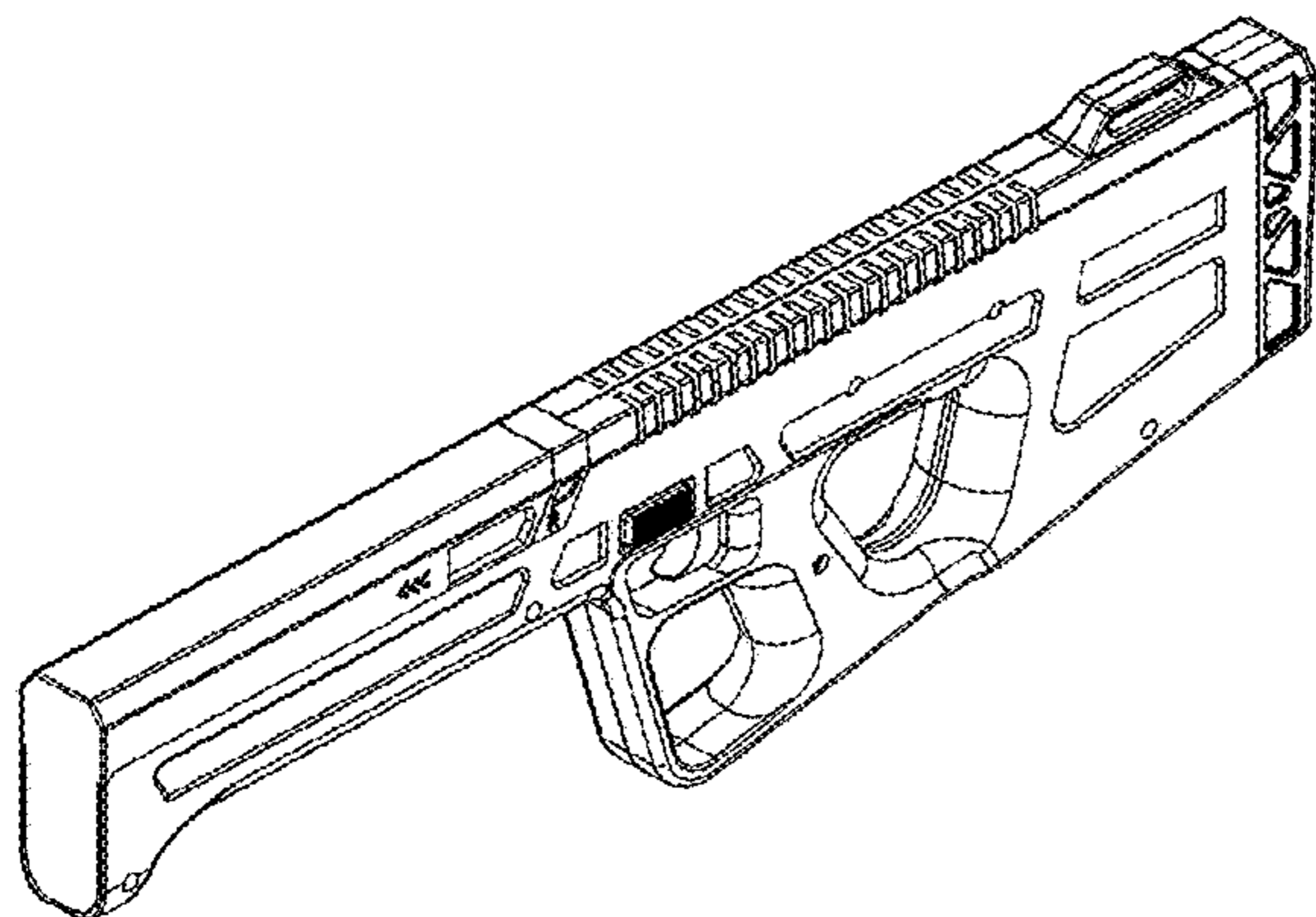
(57) **CLAIM**

The ornamental design for a haptic simulator, as shown and described.

DESCRIPTION

FIG. 1 is an isometric view of a haptic simulator showing my new design;
FIG. 2 is a dimetric view thereof;
FIG. 3 is a back view thereof;
FIG. 4 is a bottom-right side view thereof;
FIG. 5 is a bottom view thereof;
FIG. 6 is a left side view thereof;
FIG. 7 is a bottom-left side view thereof;
FIG. 8 is a front view thereof; and,
FIG. 9 is a right side view thereof.

1 Claim, 9 Drawing Sheets



(56)

References Cited

U.S. PATENT DOCUMENTS

D729,880 S * 5/2015 Nichols D21/573
 D730,999 S * 6/2015 Stevens D21/573
 D738,965 S * 9/2015 Yang D21/570
 D739,478 S * 9/2015 Yang D21/570
 D740,908 S * 10/2015 Tresserras Torre D22/108
 D745,103 S * 12/2015 Corsi D22/103
 D749,181 S * 2/2016 Hu D22/103
 D750,722 S * 3/2016 Young D22/103
 D762,277 S * 7/2016 Juarez D22/108
 D763,396 S * 8/2016 Juarez D22/108
 D766,381 S * 9/2016 Crye D21/573
 D769,394 S * 10/2016 Young D22/103
 D787,619 S * 5/2017 Young D22/103
 9,784,524 B1 * 10/2017 Ma F41B 7/006
 2006/0064911 A1 * 3/2006 Lewis F41B 11/646
 42/54
 2011/0209607 A1 * 9/2011 St. George F41A 3/26
 89/191.01
 2015/0338181 A1 * 11/2015 McAlister F41A 19/10
 42/6

OTHER PUBLICATIONS

Striker VR Haptic VR Gun Working Prototype, YouTube.com, Road to VR, Published on Aug 7, 2016, [online], [site visited Oct. 25, 2017]. <URL: <https://www.youtube.com/watch?v=ba5EyeygbG4>> (Year: 2016).*

Striker VR Shows off Working Prototype of Arena Infinity Haptic VR Gun, RoadToVR.com, By Ben Lang—Aug. 8, 2016, [online], [site visited Oct. 25, 2017]. <URL: <https://www.roadtovr.com/striker-vr-arena-infinity-v1-prototype-haptic-vr-gun/>> (Year: 2016).*

First Contact Entertainment and VRsenal Showcase VR Gun Peripheral and Haptic Vest for ROM: Extraction at CES 2017, FirstContactEnt.com, Jan. 4, 2017, Jeremy Pond for VRsenal, [online], [site visited Oct. 25, 2017]. <URL: <https://www.firstcontactent.com/single-post/2017/01/04/>> (Year: 2017).*

* cited by examiner

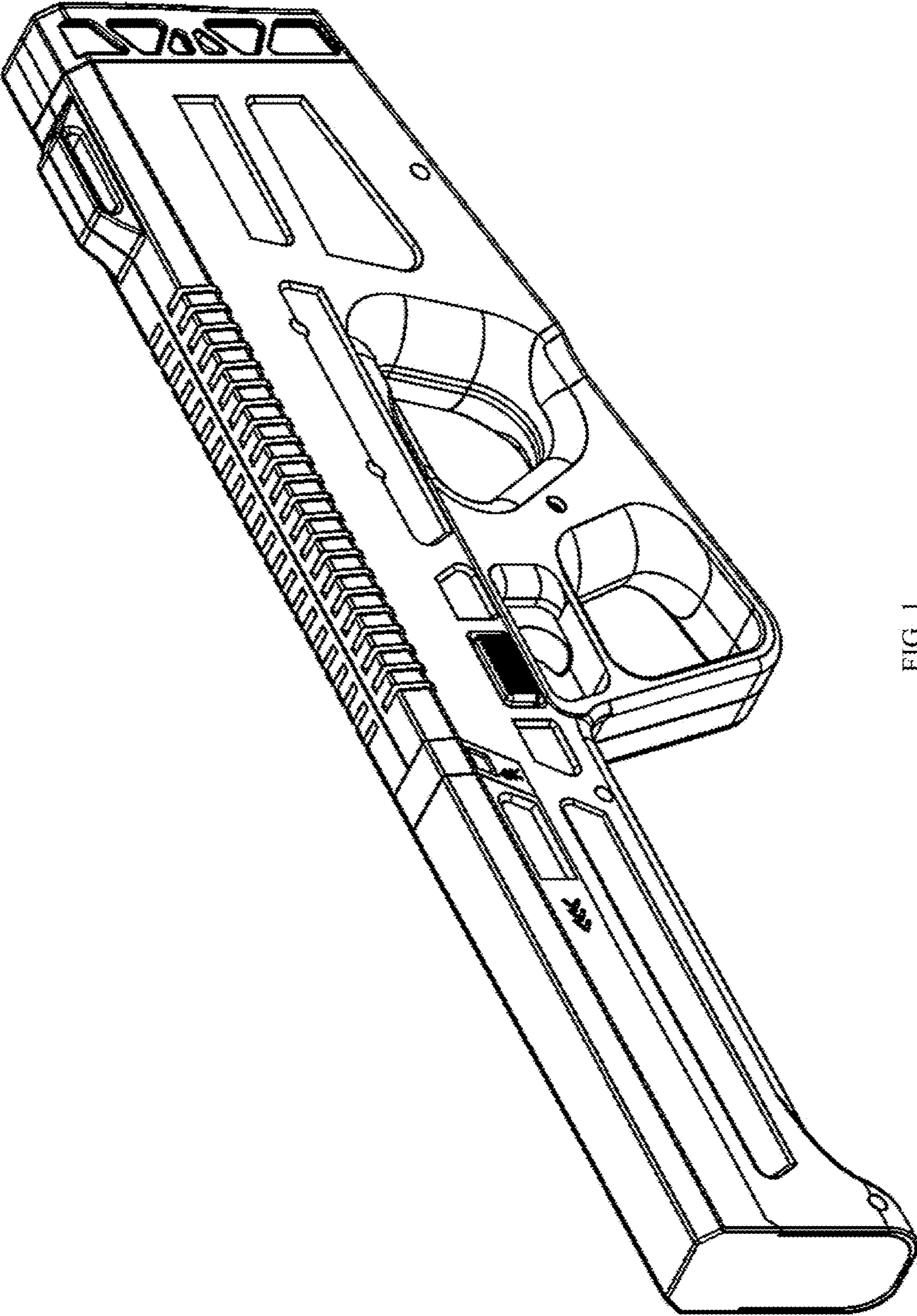


FIG. 1

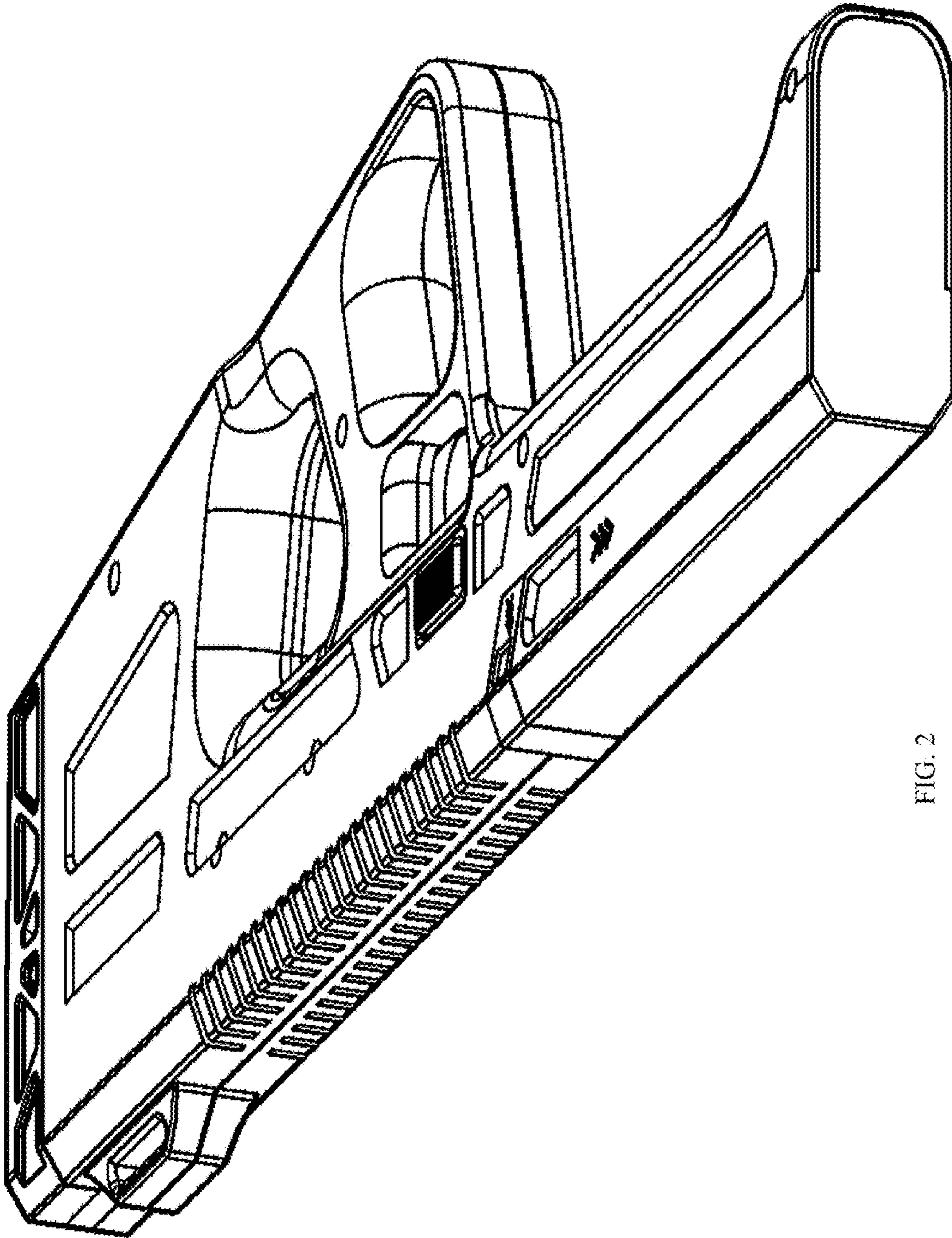


FIG. 2

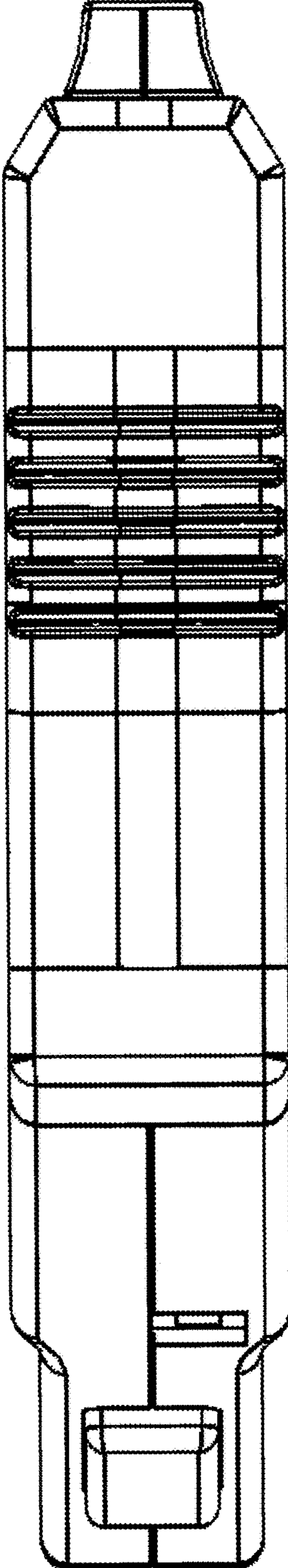


FIG. 3

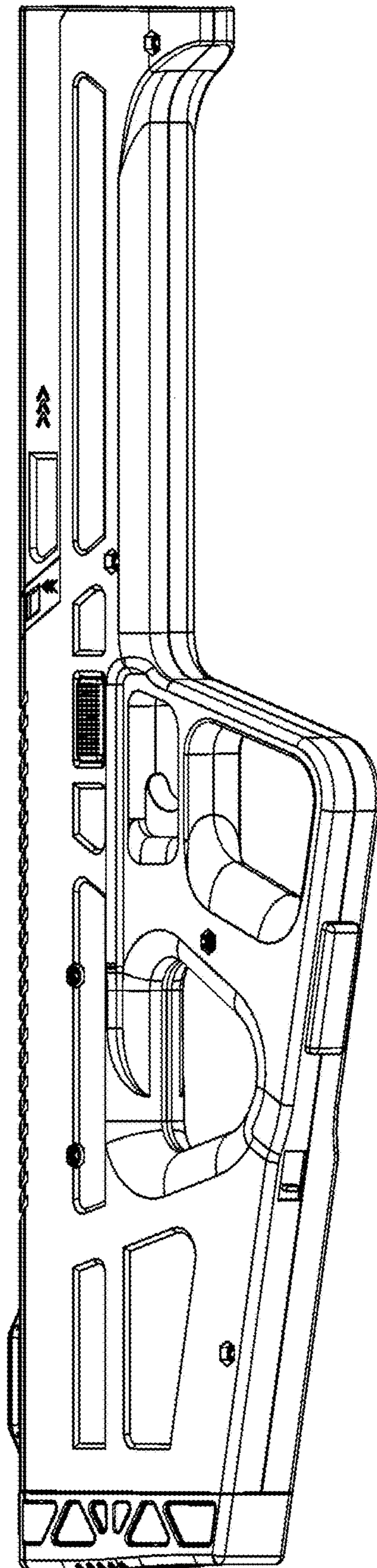


FIG. 4

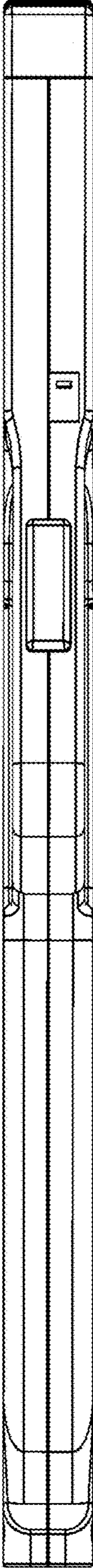


FIG. 5

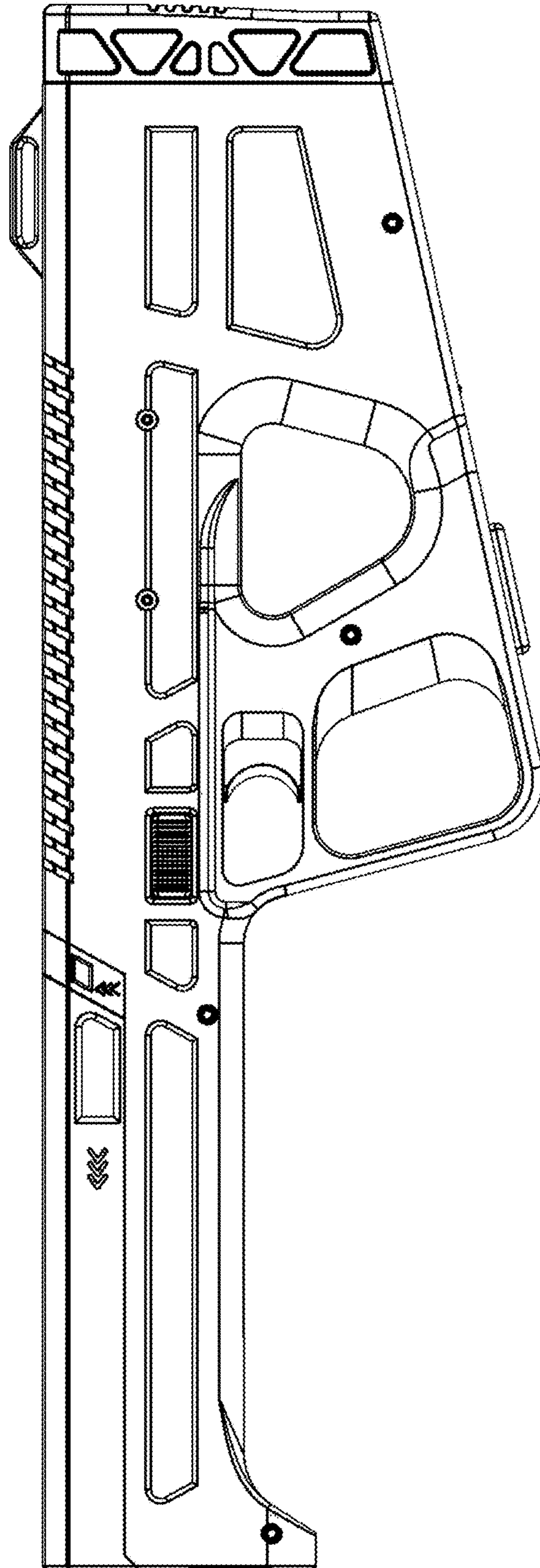


FIG. 6

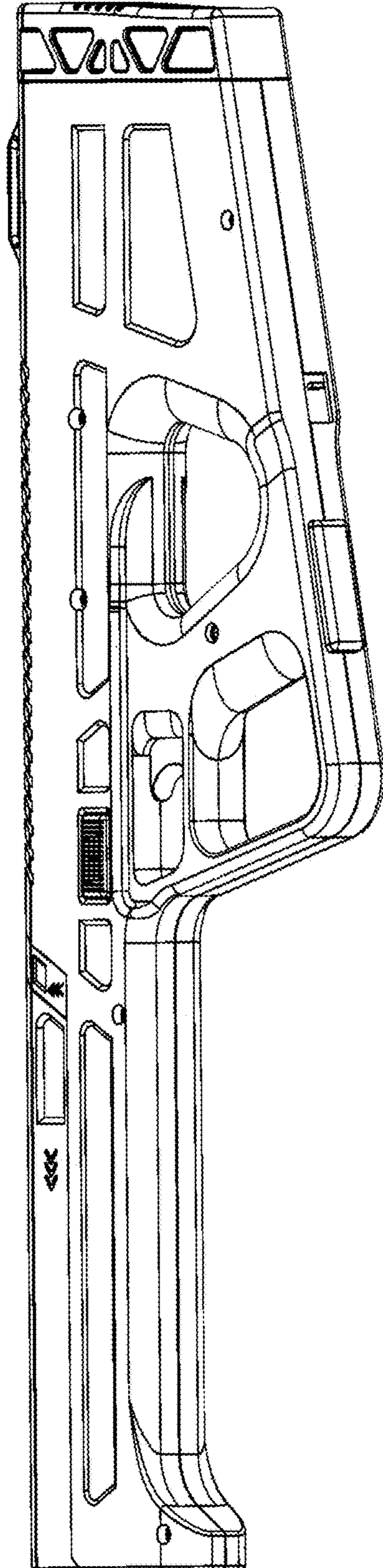


FIG. 7

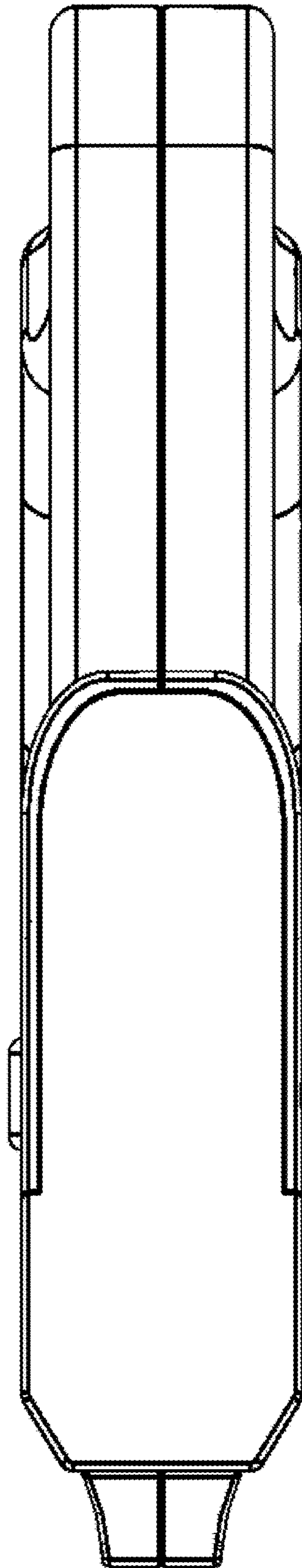


FIG. 8

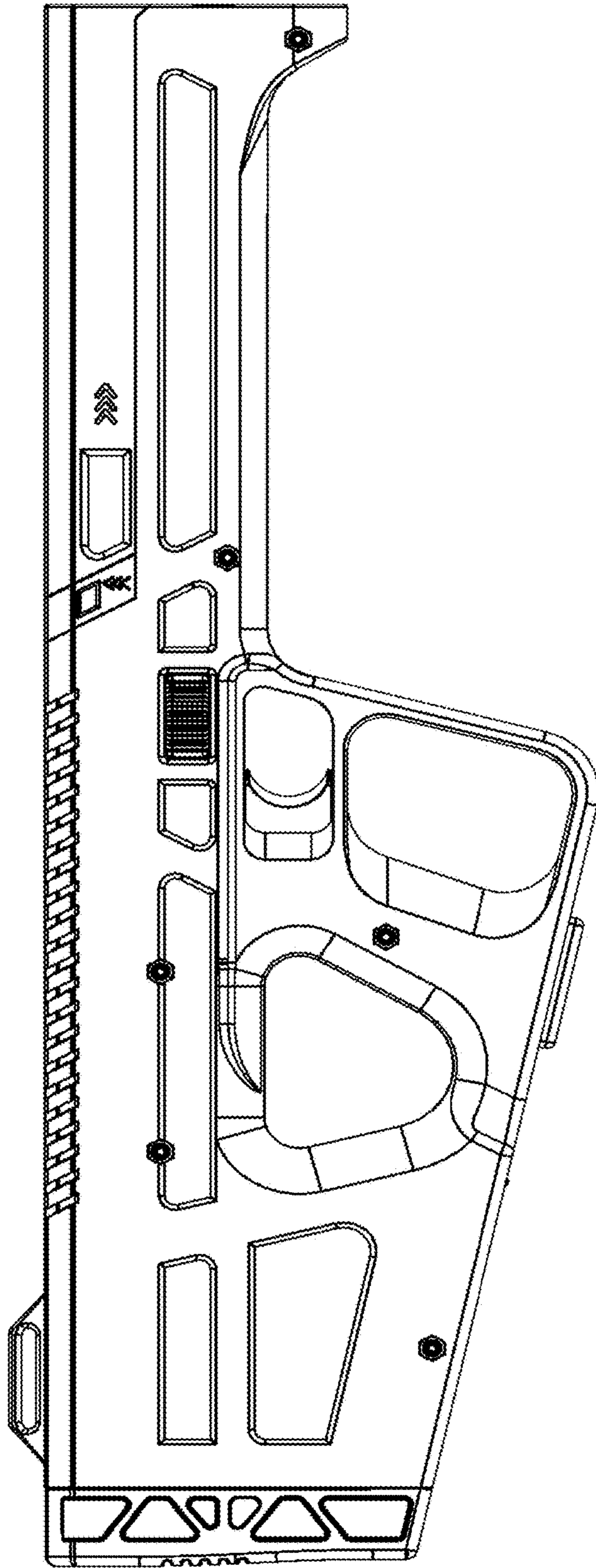


FIG. 9