



US00D814597S

(12) **United States Design Patent**
Thornton

(10) **Patent No.:** **US D814,597 S**

(45) **Date of Patent:** **** Apr. 3, 2018**

(54) **FIREARM BUTTSTOCK**

(71) Applicant: **John Jasper Thornton**, Ocilla, GA
(US)

(72) Inventor: **John Jasper Thornton**, Ocilla, GA
(US)

(73) Assignee: **J & T Arms Development, LLC**,
Ocilla, GA (US)

(**) Term: **15 Years**

(21) Appl. No.: **29/570,900**

(22) Filed: **Jul. 13, 2016**

(51) **LOC (11) Cl.** **22-01**

(52) **U.S. Cl.**
USPC **D22/108**

(58) **Field of Classification Search**
USPC D22/103, 108
CPC F41C 23/04; F41C 23/14; F41C 23/06;
F41C 23/22; F41C 33/007
See application file for complete search history.

(56) **References Cited**

U.S. PATENT DOCUMENTS

D716,403 S * 10/2014 Burt D22/108
D744,048 S * 11/2015 Chu D21/573
9,291,414 B2 * 3/2016 Gomez F41A 5/18
D773,005 S * 11/2016 Ding D22/108
D773,593 S * 12/2016 Hopkins D22/108
9,541,347 B2 * 1/2017 Maugham F41C 23/04

9,625,232 B2 * 4/2017 Gomez F41C 23/06
D795,985 S * 8/2017 Frederickson D22/108
9,746,281 B2 * 8/2017 Wilson F41C 23/14
D796,617 S * 9/2017 Chow D22/108
9,766,034 B2 * 9/2017 Huang F41C 23/04
D798,984 S * 10/2017 Roberts D22/108
2017/0241737 A1 * 8/2017 Keller, II F41C 23/14

* cited by examiner

Primary Examiner — Michael A. Pratt

(74) *Attorney, Agent, or Firm* — Michael J. Bootcheck,
LLC; Michael Jonathan Bootcheck

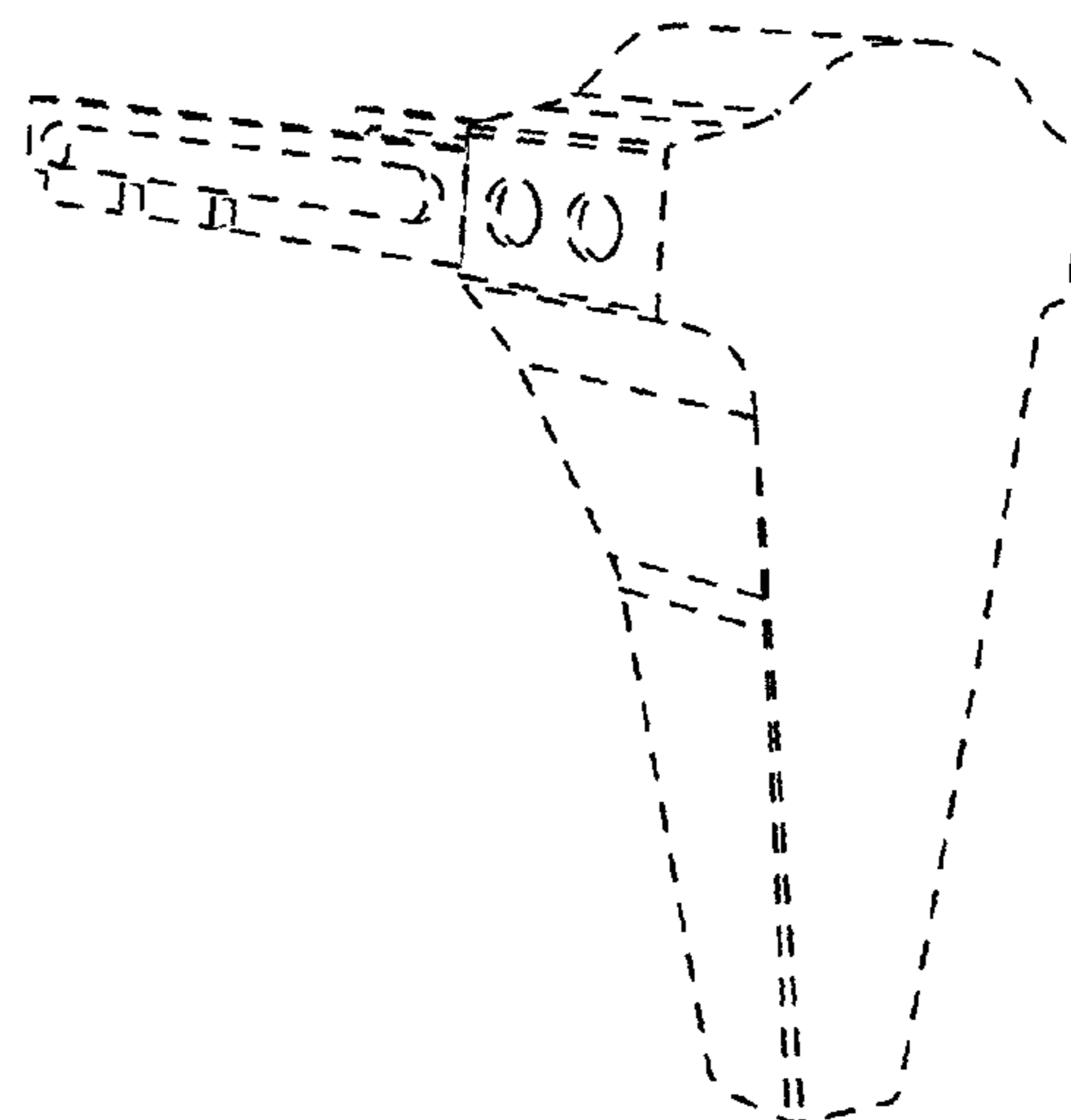
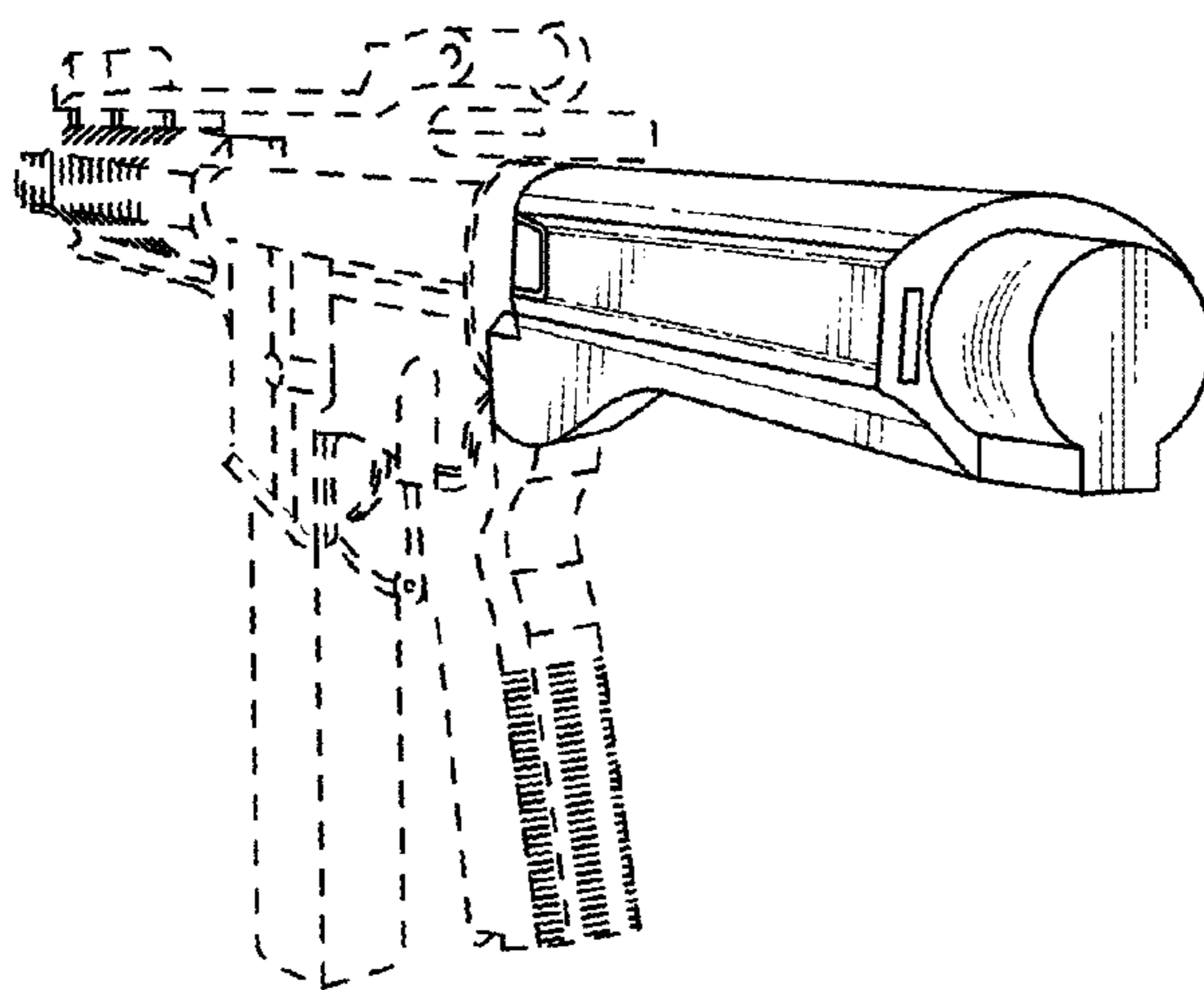
(57) **CLAIM**

The ornamental design for firearm buttstock, as shown and described.

DESCRIPTION

FIG. 1 is a perspective view of the firearm buttstock with various ancillary firearm components in phantom lines and not a claimed part of this invention;
FIG. 2 is a bottom perspective view thereof;
FIG. 3 is a bottom view thereof;
FIG. 4 is a top view thereof;
FIG. 5 is a side view thereof;
FIG. 6 is an opposite side view thereof;
FIG. 7 is a front view thereof;
FIG. 8 is an end view thereof;
FIG. 9 is a perspective view with an ancillary shoulder portion shown in phantom lines and not a claimed part of this invention in an extended condition; and,
FIG. 10 is an exploded view thereof.

1 Claim, 6 Drawing Sheets



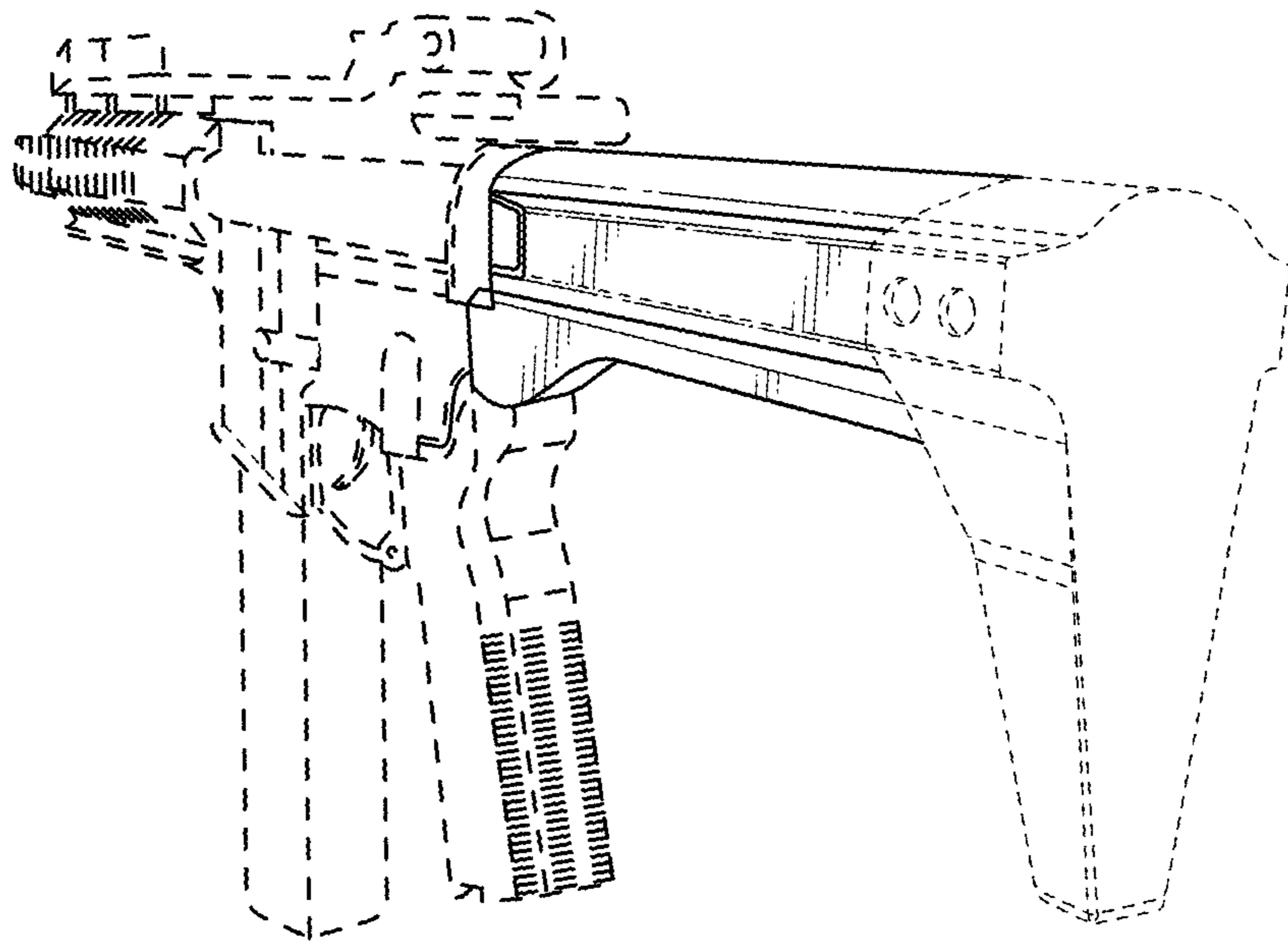


FIG. 1

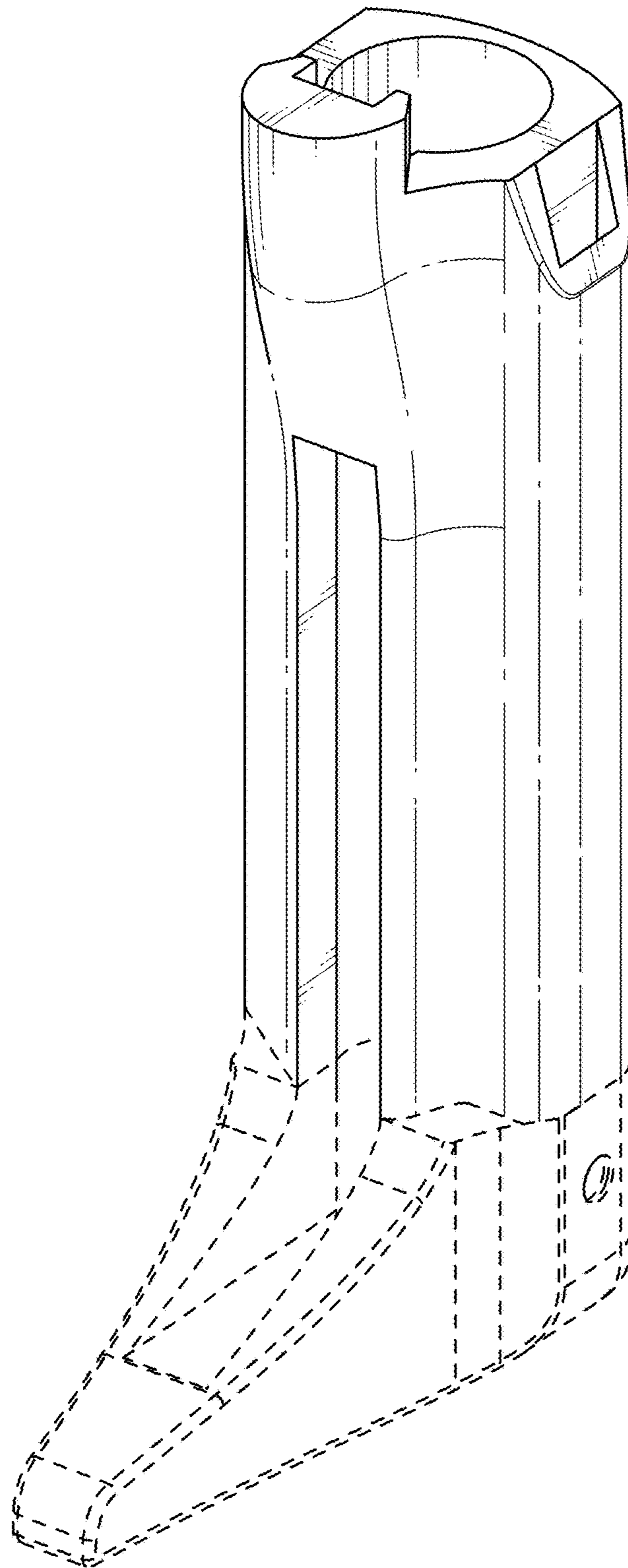


FIG. 2

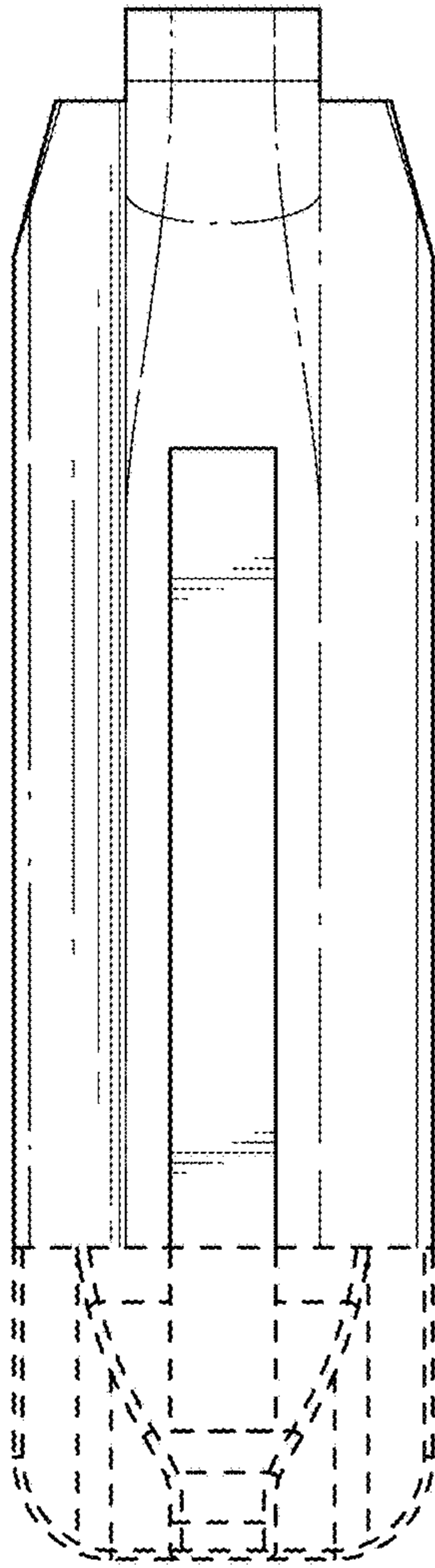


FIG. 3

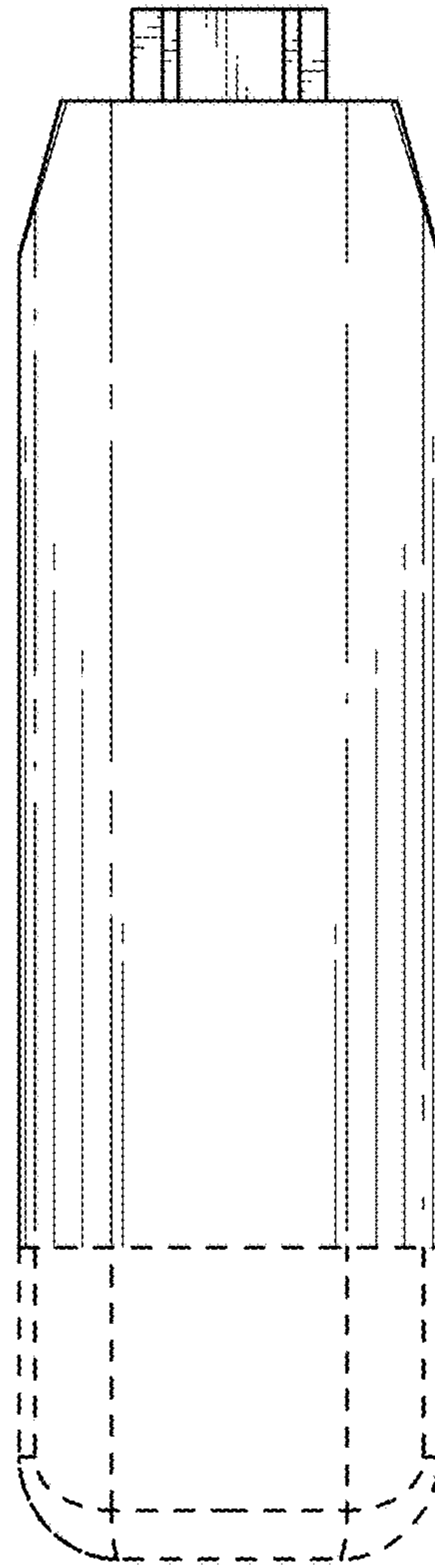


FIG. 4

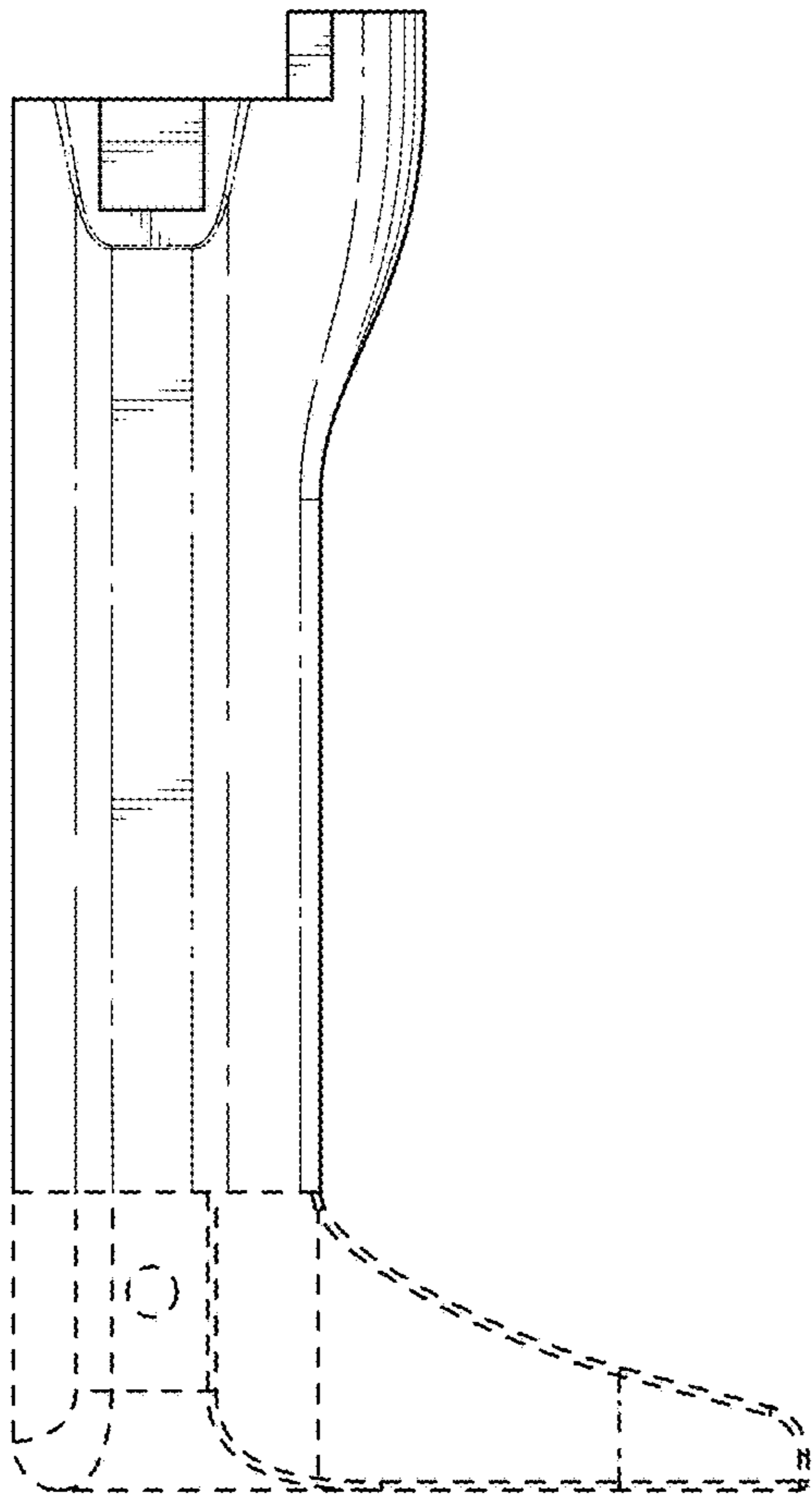


FIG. 5

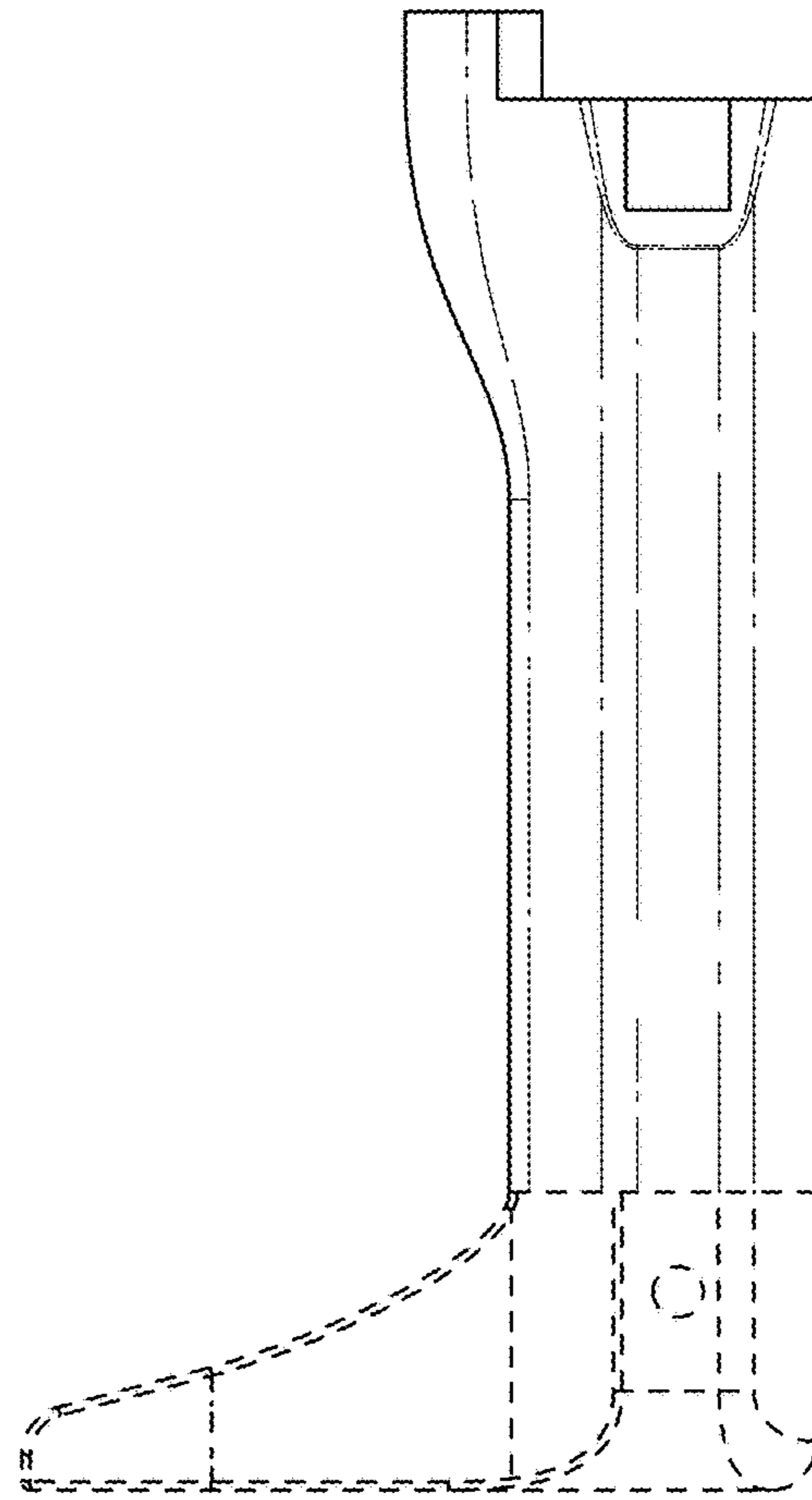


FIG. 6

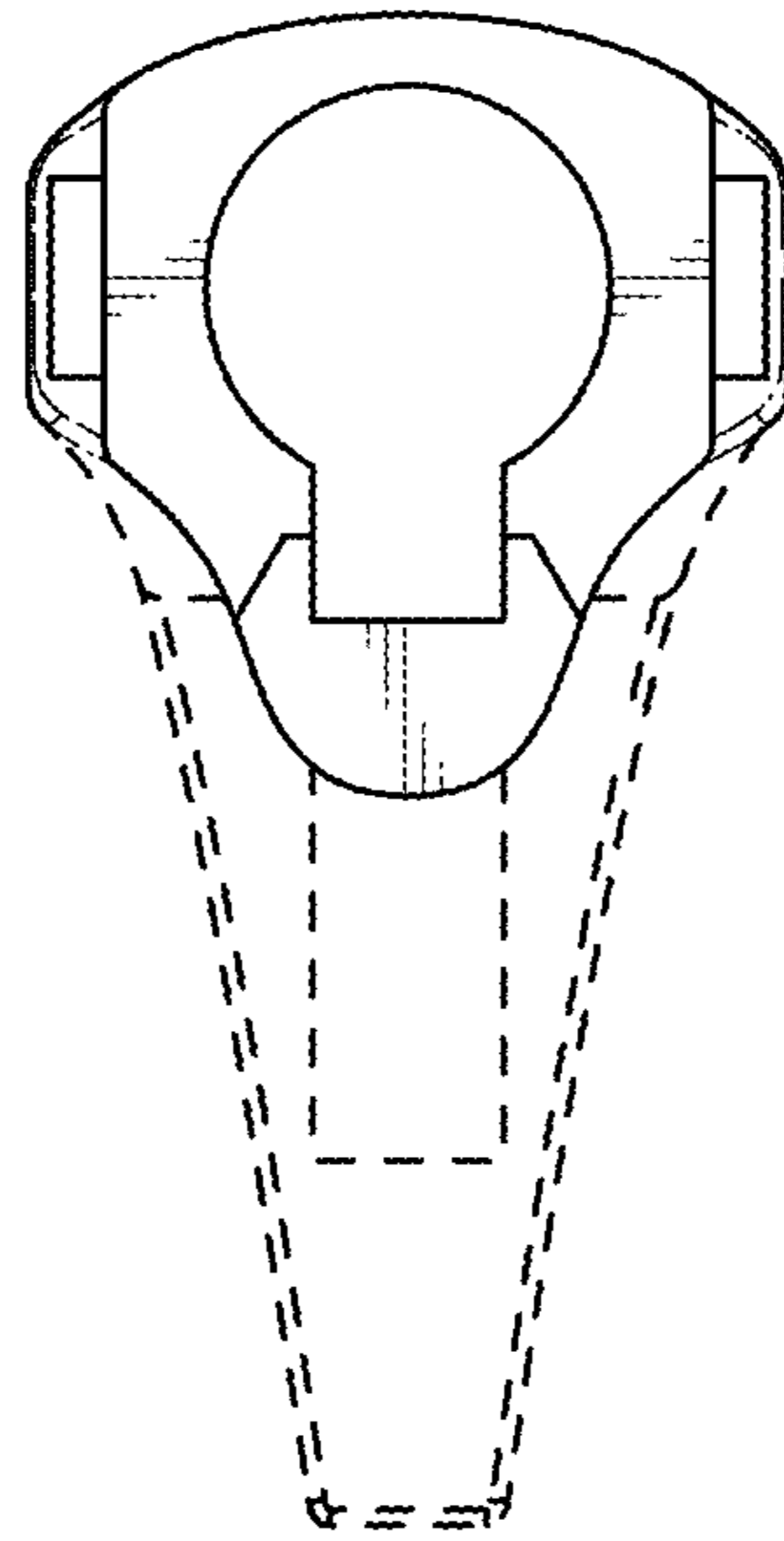


FIG. 7

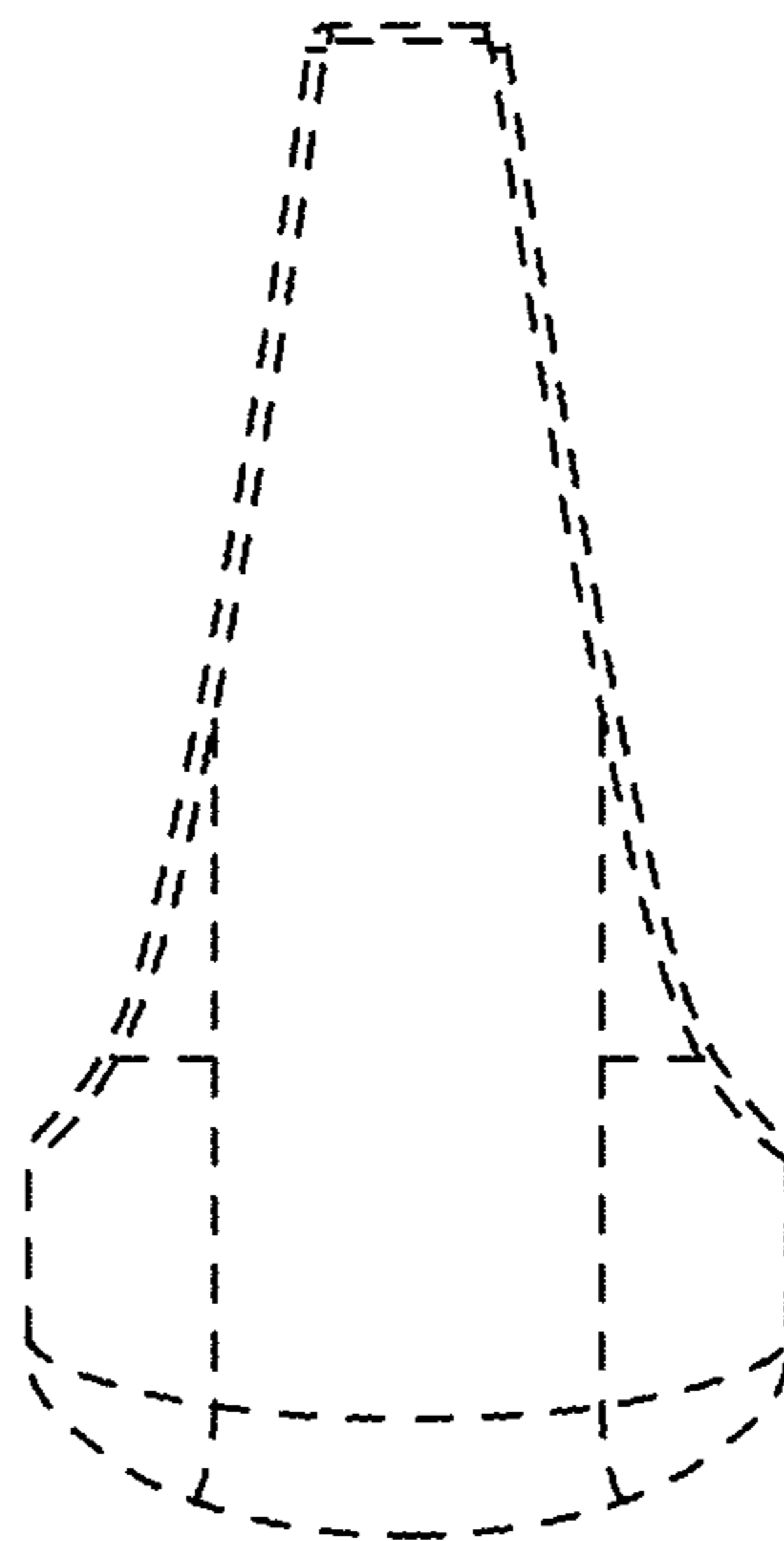


FIG. 8

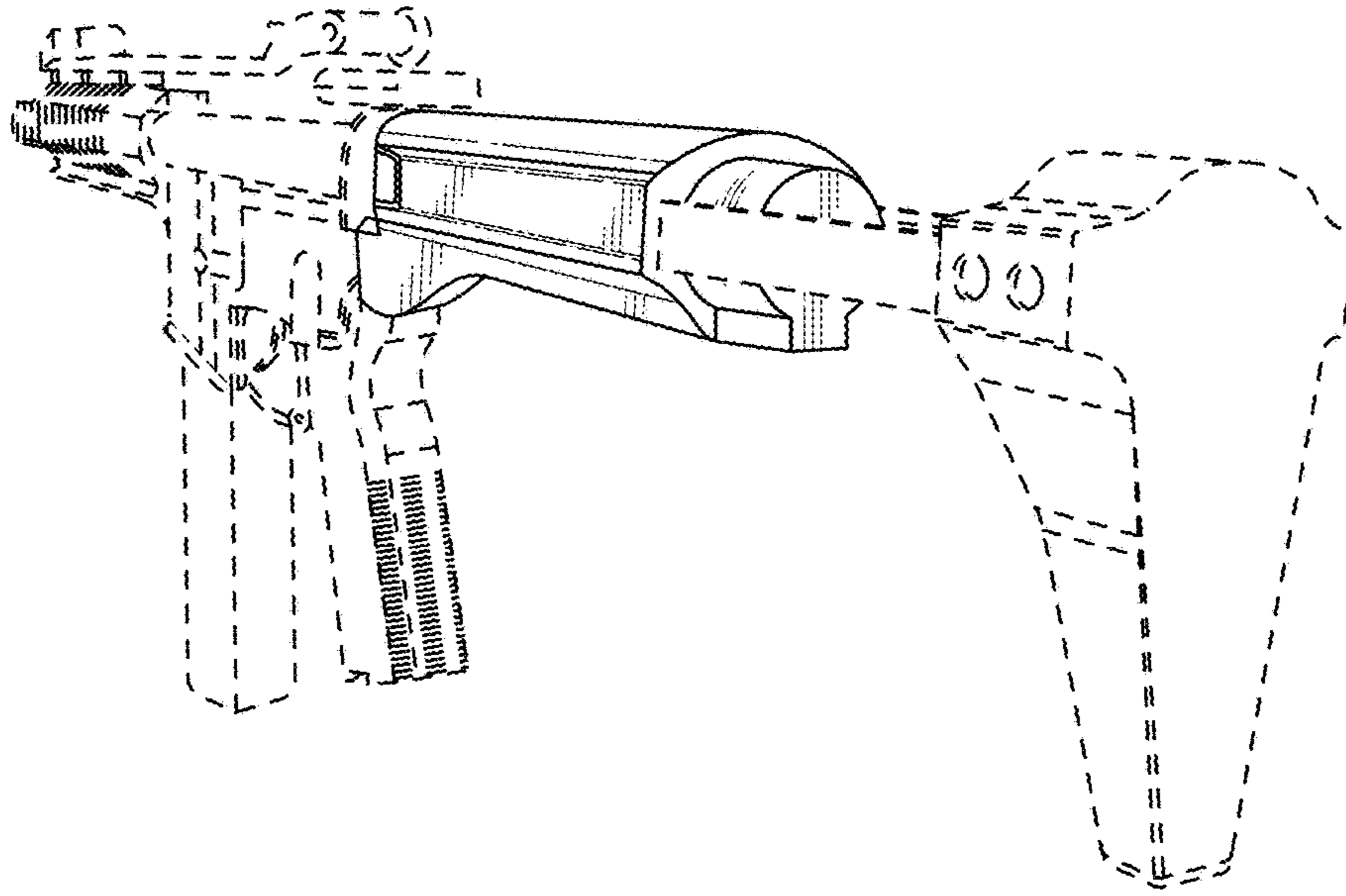


FIG. 9

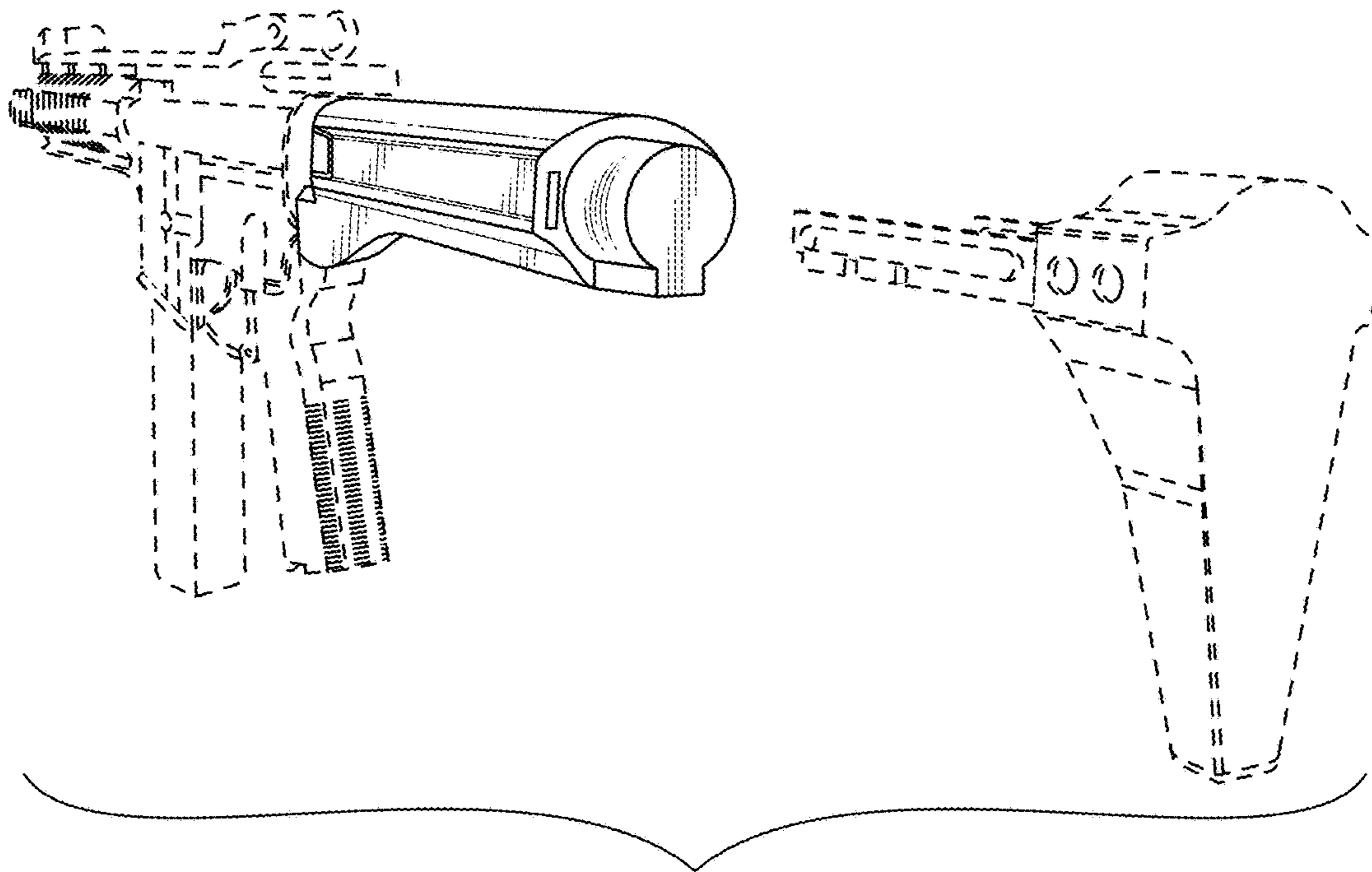


FIG. 10