



US00D814596S

(12) **United States Design Patent**  
**Curry**

(10) **Patent No.:** **US D814,596 S**

(45) **Date of Patent:** **\*\* Apr. 3, 2018**

(54) **PISTOL**

(71) Applicant: **Smith & Wesson Corp.**, Springfield, MA (US)

(72) Inventor: **Brett Curry**, Monson, MA (US)

(73) Assignee: **Smith & Wesson Corp.**, Springfield, MA (US)

(\*\*) Term: **15 Years**

(21) Appl. No.: **29/563,543**

(22) Filed: **May 5, 2016**

(51) **LOC (11) Cl.** ..... **22-01**

(52) **U.S. Cl.**  
USPC ..... **D22/108**

(58) **Field of Classification Search**  
USPC ..... D22/104, 108  
CPC ..... F41C 3/14; F41C 3/16; F41C 3/04  
See application file for complete search history.

(56) **References Cited**

**U.S. PATENT DOCUMENTS**

D359,098 S *	6/1995	Stevens	.....	D22/104
D479,570 S *	9/2003	Scheunert	.....	D22/104
D505,475 S *	5/2005	Salva	.....	D22/104
D579,072 S *	10/2008	McGarry	.....	D22/104
D583,896 S *	12/2008	McGarry	.....	D22/104
D593,629 S *	6/2009	Bantle	.....	D22/104
D598,065 S *	8/2009	Vukovic	.....	D22/104
D627,028 S *	11/2010	Coulombier	.....	D22/104
D671,610 S *	11/2012	Nebeker	.....	D22/104
D676,094 S *	2/2013	Hu	.....	D21/574
D681,131 S *	4/2013	Su	.....	D21/574
D688,764 S *	8/2013	Yigit	.....	D22/104
D690,374 S *	9/2013	Lee	.....	D21/574
D692,513 S *	10/2013	Yigit	.....	D22/104
D708,692 S *	7/2014	Sutcu	.....	D22/104
D742,985 S *	11/2015	Hudson, III	.....	D22/104

D744,049 S *	11/2015	Chu	.....	D21/574
D755,324 S *	5/2016	Martelli	.....	D22/104
D772,364 S *	11/2016	Kedairy	.....	D22/104
D777,871 S *	1/2017	Niswander	.....	D22/108
D784,479 S *	4/2017	Niswander	.....	D22/108

**OTHER PUBLICATIONS**

Author Unknown, Smith & Wesson 2013 Product Catalog, 2013, p. 7, M&P45, Full Size Frame—Black 4.5" Barrel .45 ACP, image obtained online on Jul. 1, 2016, at [http://www.smith-wesson.com/webapp/wcs/stores/servlet/Product4\\_750001\\_750051\\_765778\\_-1\\_757782\\_757781\\_757781\\_ProductDisplayErrorView\\_Y](http://www.smith-wesson.com/webapp/wcs/stores/servlet/Product4_750001_750051_765778_-1_757782_757781_757781_ProductDisplayErrorView_Y).

Author Unknown, Smith & Wesson 2013 Product Catalog, 2013, p. 7, M&P45, Mid Size Frame—Black, 4" Barrel, .45 ACP, image obtained online on Jul. 1, 2016, at: [http://www.smith-wesson.com/webapp/wcs/stores/servlet/Product4\\_750001\\_750051\\_765736\\_-1\\_757782\\_757781\\_757781\\_ProductDisplayErrorView\\_Y](http://www.smith-wesson.com/webapp/wcs/stores/servlet/Product4_750001_750051_765736_-1_757782_757781_757781_ProductDisplayErrorView_Y).

Author Unknown, Smith & Wesson 2013 Product Catalog, 2013, p. 7, M&P45, Compact Size Frame—Black, 4" Barrel, .45 ACP, image obtained online on Jul. 1, 2016, at: [http://www.smith-wesson.com/webapp/wcs/stores/servlet/Product4\\_750001\\_750051\\_766269\\_-1\\_757782\\_757781\\_757781\\_ProductDisplayErrorView\\_Y](http://www.smith-wesson.com/webapp/wcs/stores/servlet/Product4_750001_750051_766269_-1_757782_757781_757781_ProductDisplayErrorView_Y).

(Continued)

*Primary Examiner* — Michael A. Pratt

(74) *Attorney, Agent, or Firm* — John A. Chionchio, Esquire; Ballard Spahr LLP

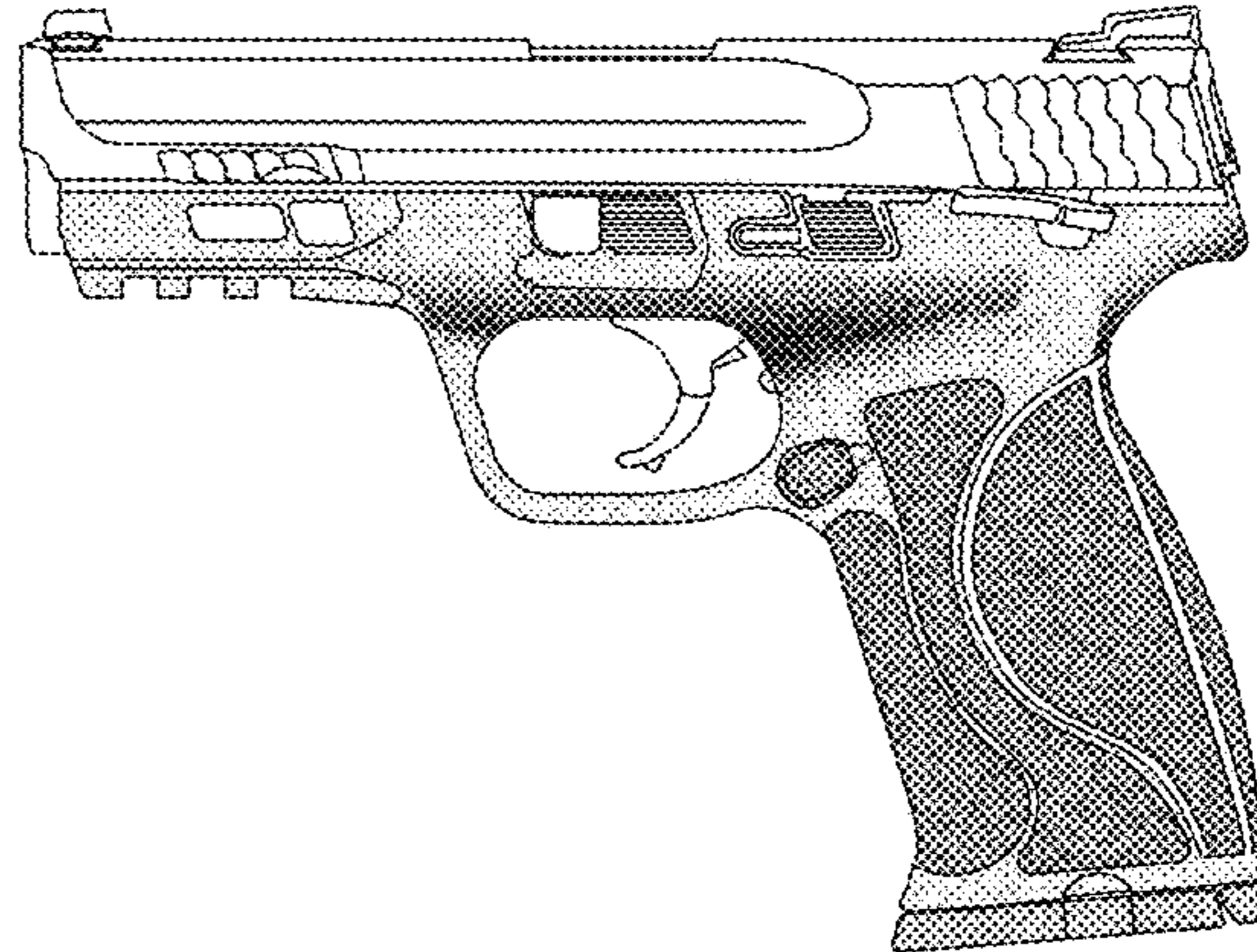
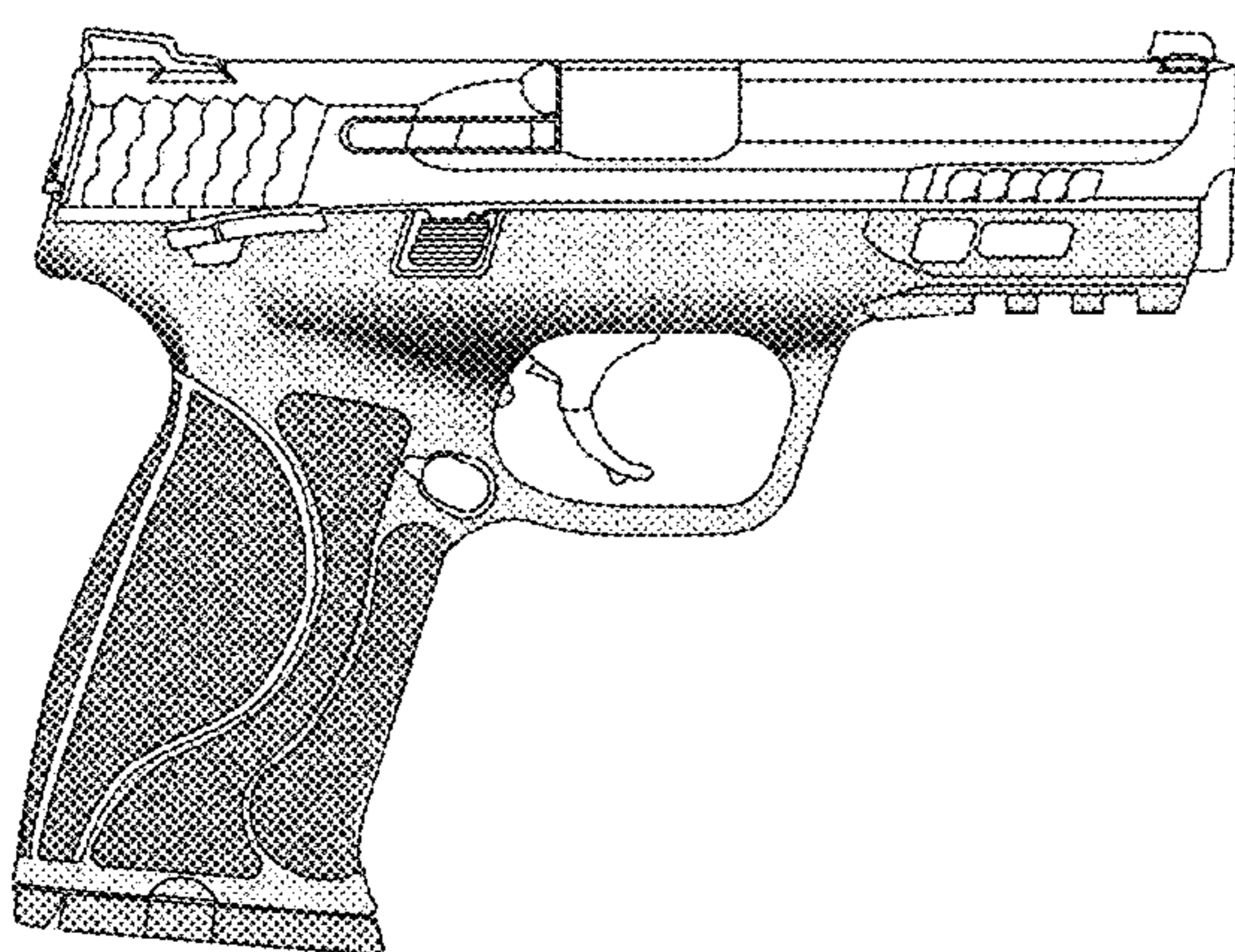
(57) **CLAIM**

The ornamental design for a pistol, as shown and described.

**DESCRIPTION**

FIG. 1 is a right side view of an embodiment of a pistol according to the invention;  
 FIG. 2 is a left side view of the pistol shown in FIG. 1;  
 FIG. 3 is a front view of the pistol shown in FIG. 1;  
 FIG. 4 is a back view of the pistol shown in FIG. 1;  
 FIG. 5 is a top view of the pistol shown in FIG. 1; and,  
 FIG. 6 is a bottom view of the pistol shown in FIG. 1.

**1 Claim, 2 Drawing Sheets**



(56)

**References Cited**

## OTHER PUBLICATIONS

Author Unknown, Smith & Wesson 2013 Product Catalog, 2013, p. 7, M&P45, Full Size Frame—Dark Earth Brown, 4.5" Barrel, .45 ACP, image obtained online on Jul. 1, 2016, at: [http://www.smith-wesson.com/webapp/wcs/stores/servlet/Product4\\_750001\\_750051\\_765777\\_-](http://www.smith-wesson.com/webapp/wcs/stores/servlet/Product4_750001_750051_765777_-1_757782_757781_757781_ProductDisplayErrorView_Y)

[1\\_757782\\_757781\\_757781\\_ProductDisplayErrorView\\_Y](http://www.smith-wesson.com/webapp/wcs/stores/servlet/Product4_750001_750051_765777_-1_757782_757781_757781_ProductDisplayErrorView_Y).

Author Unknown, Smith & Wesson 2013 Product Catalog, 2013, p. 7, M&P45, Mid Size Frame—Dark Earth Brown, 4" Barrel, .45 ACP, image obtained online on Jul. 1, 2016, at: <http://www.hyattgunstore.com/images/D/medium-713.jpg>.

Author Unknown, Smith & Wesson 2013 Product Catalog, 2013, p. 8, M&P9 Full Size Frame—Black, 4.25" Barrel, 9mm, image obtained online on Jul. 1, 2016, at: [http://www.smith-wesson.com/wcsstore/SmWesson2/upload/images/firearms/zoom\\_lg/206301\\_01\\_lg.jpg](http://www.smith-wesson.com/wcsstore/SmWesson2/upload/images/firearms/zoom_lg/206301_01_lg.jpg).

Author Unknown, Smith & Wesson 2013 Product Catalog, 2013, p. 8, M&P9 VTAC®, Full Size Frame, Flat Dark Earth, 4.25" Barrel, 9mm; image obtained online on Jul. 1, 2016, at: <http://www.sportsmansoutdoorsuperstore.com/products2.cfm/ID/111301/209921/smith-and-wesson-mp9-9mm-vtac-viking-tactics-dark-earth>.

Author Unknown, Smith & Wesson 2013 Product Catalog, 2013, p. 8, M&P9c, Compact Size Frame, Black, 3.5" Barrel, 9mm, image obtained online on Jul. 1, 2016, at: [http://www.smith-wesson.com/webapp/wcs/stores/servlet/Product4\\_750001\\_750051\\_770011\\_-1\\_757954\\_757781\\_757781\\_ProductDisplayErrorView\\_Y](http://www.smith-wesson.com/webapp/wcs/stores/servlet/Product4_750001_750051_770011_-1_757954_757781_757781_ProductDisplayErrorView_Y).

Author Unknown, Smith & Wesson 2013, Product Catalog, 2013, p. 8, M&P9c, Compact Size Frame, Black, 3.5" Barrel, 9mm, with Crimson Trace, LaserGrips®; image obtained on Jul. 1, 2016 at: [http://www.smith-wesson.com/webapp/wcs/stores/servlet/product4\\_750001\\_750051\\_766222\\_-1\\_757911\\_757910\\_757787\\_ProductDisplayErrorView\\_Y](http://www.smith-wesson.com/webapp/wcs/stores/servlet/product4_750001_750051_766222_-1_757911_757910_757787_ProductDisplayErrorView_Y).

Author Unknown, Smith & Wesson 2013, Product Catalog, 2013, p. 9, M&P 40, Full Size Frame, Black, 4.25" Barrel, .40 S&W, image

obtained online on Jul. 1, 2016, at; image obtained on Jul. 1, 2016 at: [http://www.smith-wesson.com/webapp/wcs/stores/servlet/Product4\\_750001\\_750051\\_766224\\_-](http://www.smith-wesson.com/webapp/wcs/stores/servlet/Product4_750001_750051_766224_-1_757955_757781_757781_ProductDisplayErrorView_Y)

[1\\_757955\\_757781\\_757781\\_ProductDisplayErrorView\\_Y](http://www.smith-wesson.com/webapp/wcs/stores/servlet/Product4_750001_750051_766224_-1_757955_757781_757781_ProductDisplayErrorView_Y).

Author Unknown, Smith & Wesson 2013, Product Catalog, 2013, p. 9, M&P40 VTAC®, Full Size Frame, Flat Dark Earth, 4.25" Barrel, .40 S&W, image obtained online on Jul. 1, 2016, at: <http://www.impactguns.com/sw-mp40-vtac-viking-tactics-209920.aspx>.

Author Unknown, Smith & Wesson 2013, Product Catalog, 2013, p. 9, M&P40c, Compact Size Frame—Black, 3.5" Barrel, .40 S&W; image obtained online on Jul. 1, 2016, at: <http://wvledguns.com/product/smith-wesson-mp40c-compact-size-thumb-safety>.

Author Unknown, Smith & Wesson 2013, Product Catalog, 2013, p. 9, M&P40c, Compact Size Frame, Black, 3.5" Barrel, .40 S&W, Crimson Trace LaserGrips®, image obtained online on Jul. 1, 2016, at: [http://www.smith-wesson.com/webapp/wcs/stores/servlet/Product4\\_750001\\_750051\\_766221\\_-](http://www.smith-wesson.com/webapp/wcs/stores/servlet/Product4_750001_750051_766221_-1_757955_757781_757781_ProductDisplayErrorView_Y)

[1\\_757955\\_757781\\_757781\\_ProductDisplayErrorView\\_Y](http://www.smith-wesson.com/webapp/wcs/stores/servlet/Product4_750001_750051_766221_-1_757955_757781_757781_ProductDisplayErrorView_Y).

Author Unknown, Smith & Wesson 2013, Product Catalog, 2013, p. 11, M&P22, Product 222000—Black, 4.1" Barrel, 12 Rounds, .22 LR, image obtained online on Jul. 1, 2016, at: [http://www.smith-wesson.com/webapp/wcs/stores/servlet/Product4\\_750001\\_750051\\_785503\\_-](http://www.smith-wesson.com/webapp/wcs/stores/servlet/Product4_750001_750051_785503_-1_773655_757781_757781_ProductDisplayErrorView_Y)

[1\\_773655\\_757781\\_757781\\_ProductDisplayErrorView\\_Y](http://www.smith-wesson.com/webapp/wcs/stores/servlet/Product4_750001_750051_785503_-1_773655_757781_757781_ProductDisplayErrorView_Y).

Author Unknown, Smith & Wesson 2013, Product Catalog, 2013, p. 11, M&P22 Compliant, Product 122000—Black, 4.1" Barrel, 10 Rounds, .22 LR, image obtained online on Jul. 1, 2016, at: [http://www.smith-wesson.com/webapp/wcs/stores/servlet/Product4\\_750001\\_750051\\_785505\\_-](http://www.smith-wesson.com/webapp/wcs/stores/servlet/Product4_750001_750051_785505_-1_773655_757781_757781_ProductDisplayErrorView_Y)

[1\\_773655\\_757781\\_757781\\_ProductDisplayErrorView\\_Y](http://www.smith-wesson.com/webapp/wcs/stores/servlet/Product4_750001_750051_785505_-1_773655_757781_757781_ProductDisplayErrorView_Y).

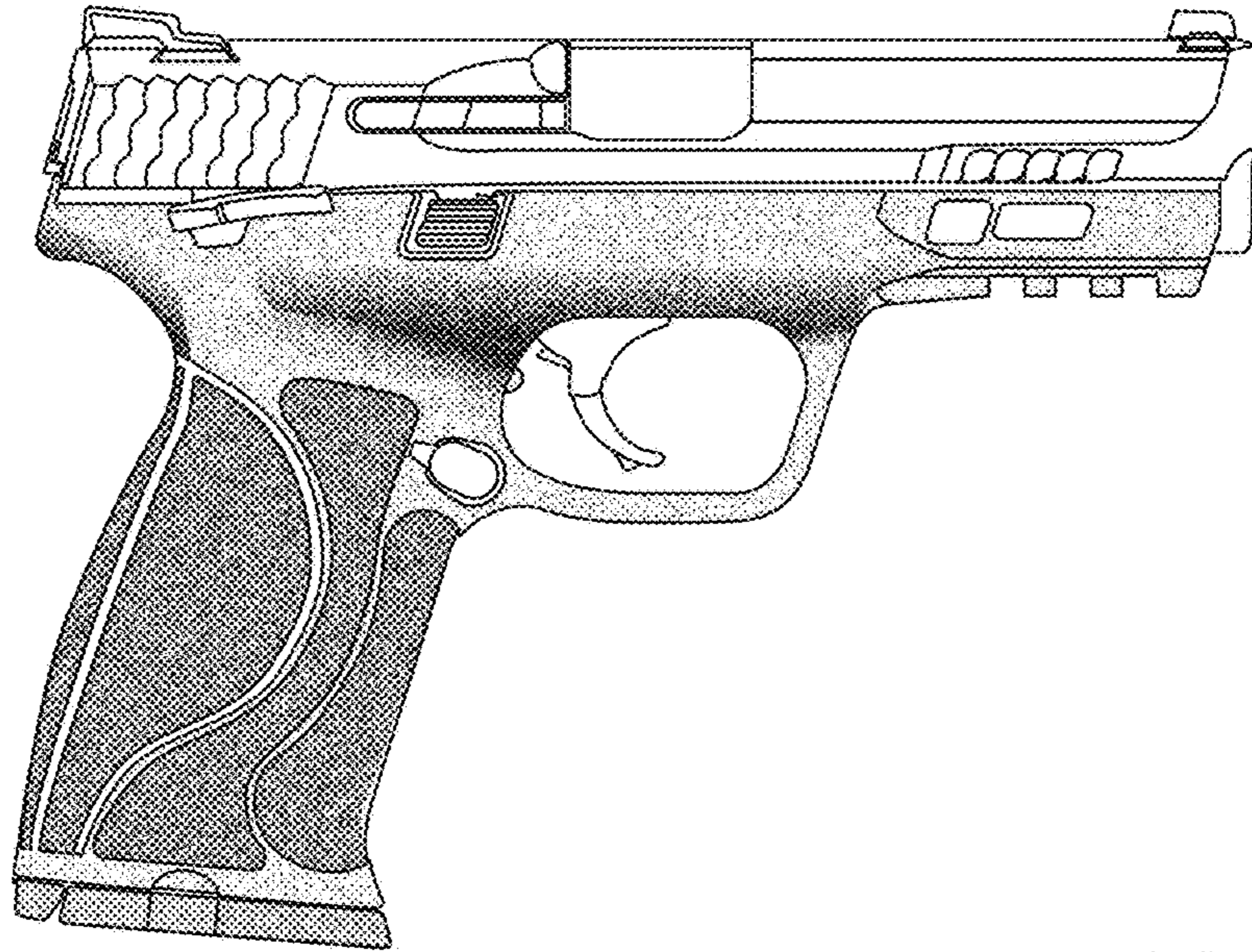
Author Unknown, Smith & Wesson 2013, Product Catalog, 2013, p. 11, M&P22, Product 122002—Black, 4.1" Barrel, .22 LR, image obtained online on Jul. 1, 2016, at: [http://www.smith-wesson.com/webapp/wcs/stores/servlet/Product4\\_750001\\_750051\\_811061\\_-](http://www.smith-wesson.com/webapp/wcs/stores/servlet/Product4_750001_750051_811061_-1_773655_757781_757781_ProductDisplayErrorView_Y)

[1\\_773655\\_757781\\_757781\\_ProductDisplayErrorView\\_Y](http://www.smith-wesson.com/webapp/wcs/stores/servlet/Product4_750001_750051_811061_-1_773655_757781_757781_ProductDisplayErrorView_Y).

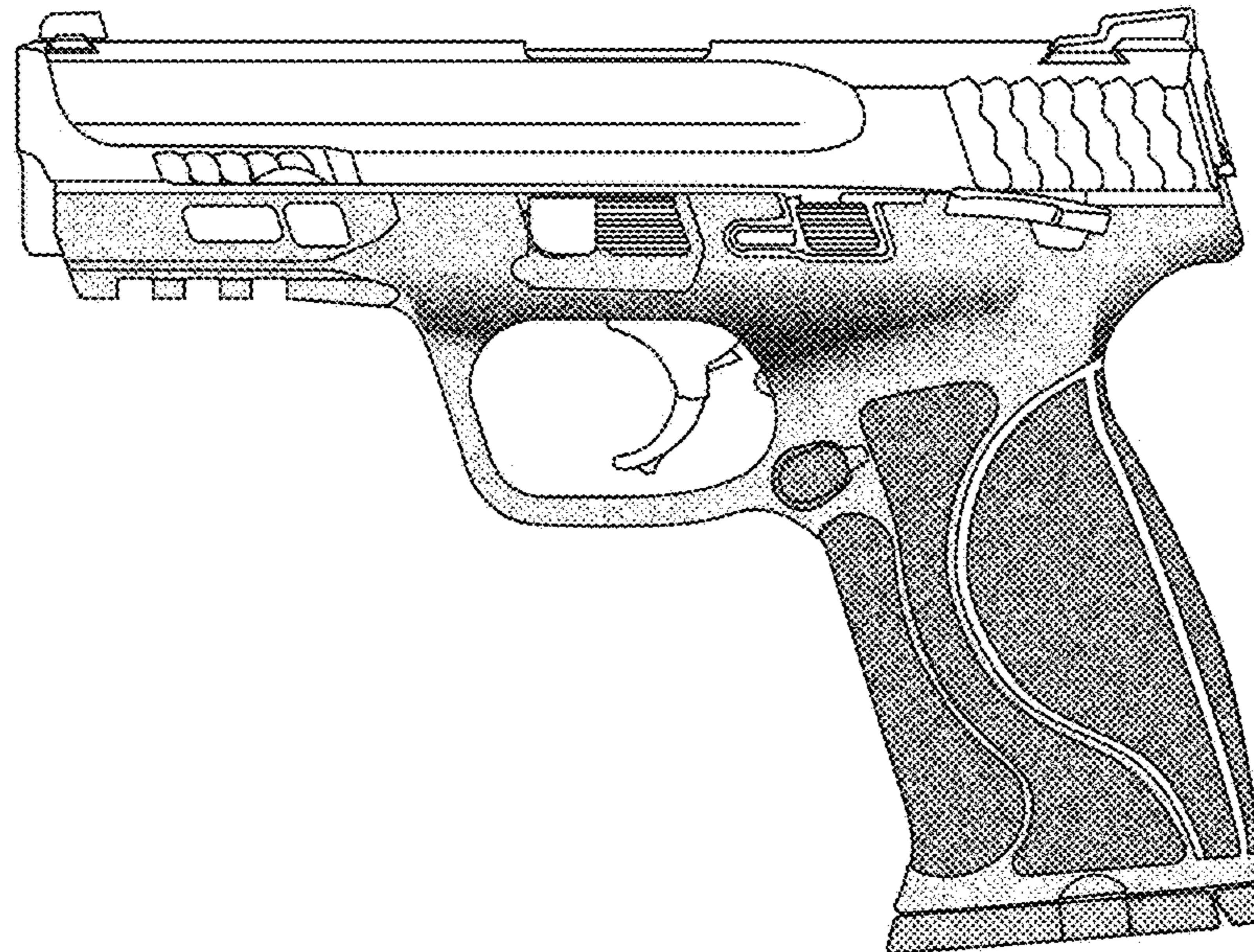
Author Unknown; Office Action from counterpart Japanese patent application No. 2016-023735; dated May 11, 2017; pp. 1-3; Japanese Patent Office; Tokyo, Japan.

\* cited by examiner

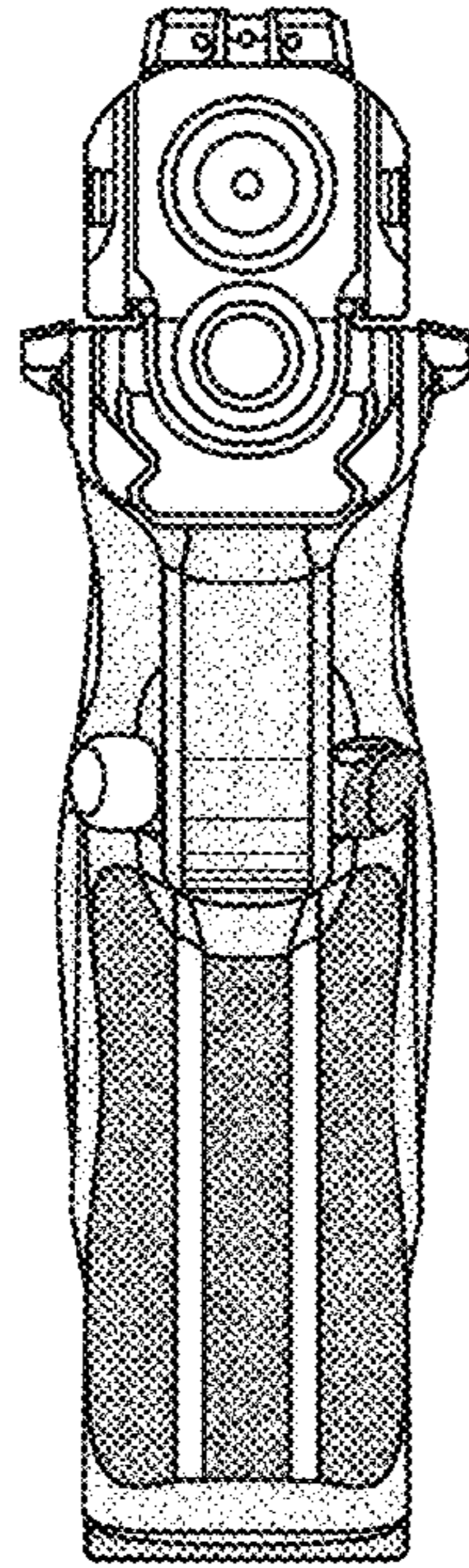
**FIG. 1**



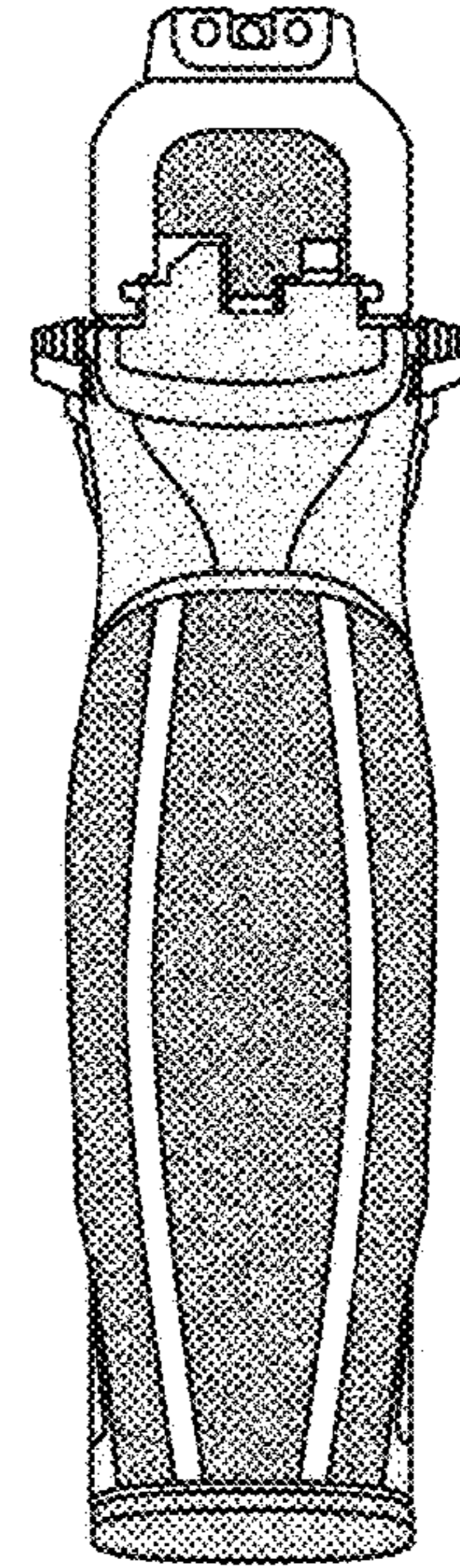
**FIG. 2**



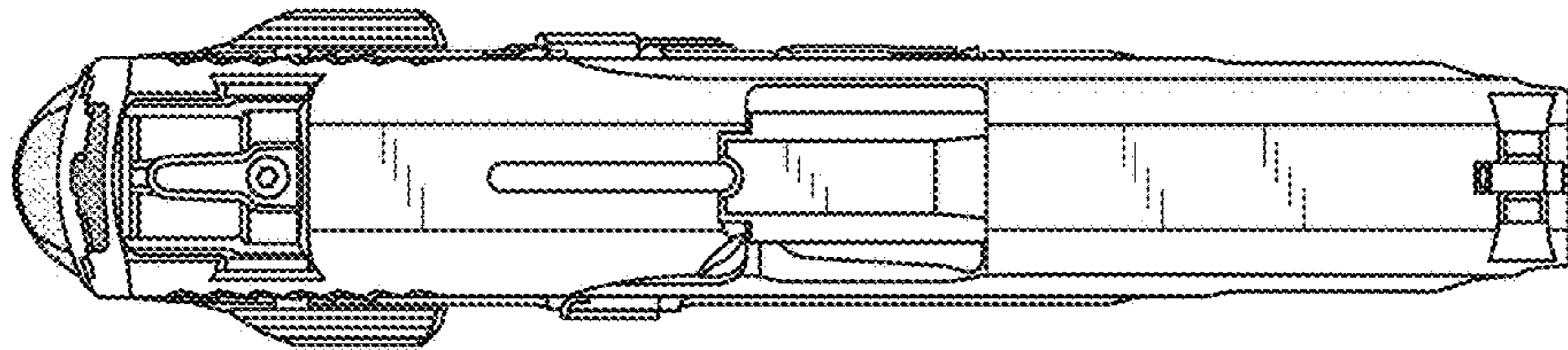
**FIG. 3**



**FIG. 4**



**FIG. 5**



**FIG. 6**

