



US00D814595S

(12) **United States Design Patent**  
**Saadon**

(10) **Patent No.:** **US D814,595 S**

(45) **Date of Patent:** **\*\* Apr. 3, 2018**

(54) **FIREARM THUMB SUPPORT**

(71) Applicant: **FXD, LLC**, Austin, TX (US)

(72) Inventor: **Marschell B Saadon**, Round Rock, TX (US)

(73) Assignee: **FXD, LLC**, Austin, TX (US)

(\*\*) Term: **15 Years**

(21) Appl. No.: **29/556,380**

(22) Filed: **Feb. 29, 2016**

(51) **LOC (11) Cl.** ..... **22-01**

(52) **U.S. Cl.**  
USPC ..... **D22/108**

(58) **Field of Classification Search**  
USPC ..... D17/13; D22/104, 108, 199  
CPC ..... F41A 19/10; F41A 35/06; F41C 27/00;  
F41C 23/00; F41C 23/10  
See application file for complete search history.

(56) **References Cited**

**U.S. PATENT DOCUMENTS**

1,962,775 A \* 6/1934 Jones ..... F41C 23/10  
42/71.02  
D472,599 S \* 4/2003 Yu ..... D22/108

D657,839 S \* 4/2012 Karfiol ..... D22/104  
D658,263 S \* 4/2012 Nierenberg ..... D22/104  
D664,234 S \* 7/2012 Nierenberg ..... D22/104  
D788,838 S \* 6/2017 Tatsumi ..... D17/13

\* cited by examiner

*Primary Examiner* — Karen S Acker  
*Assistant Examiner* — Steven B Reinholdt, Jr.

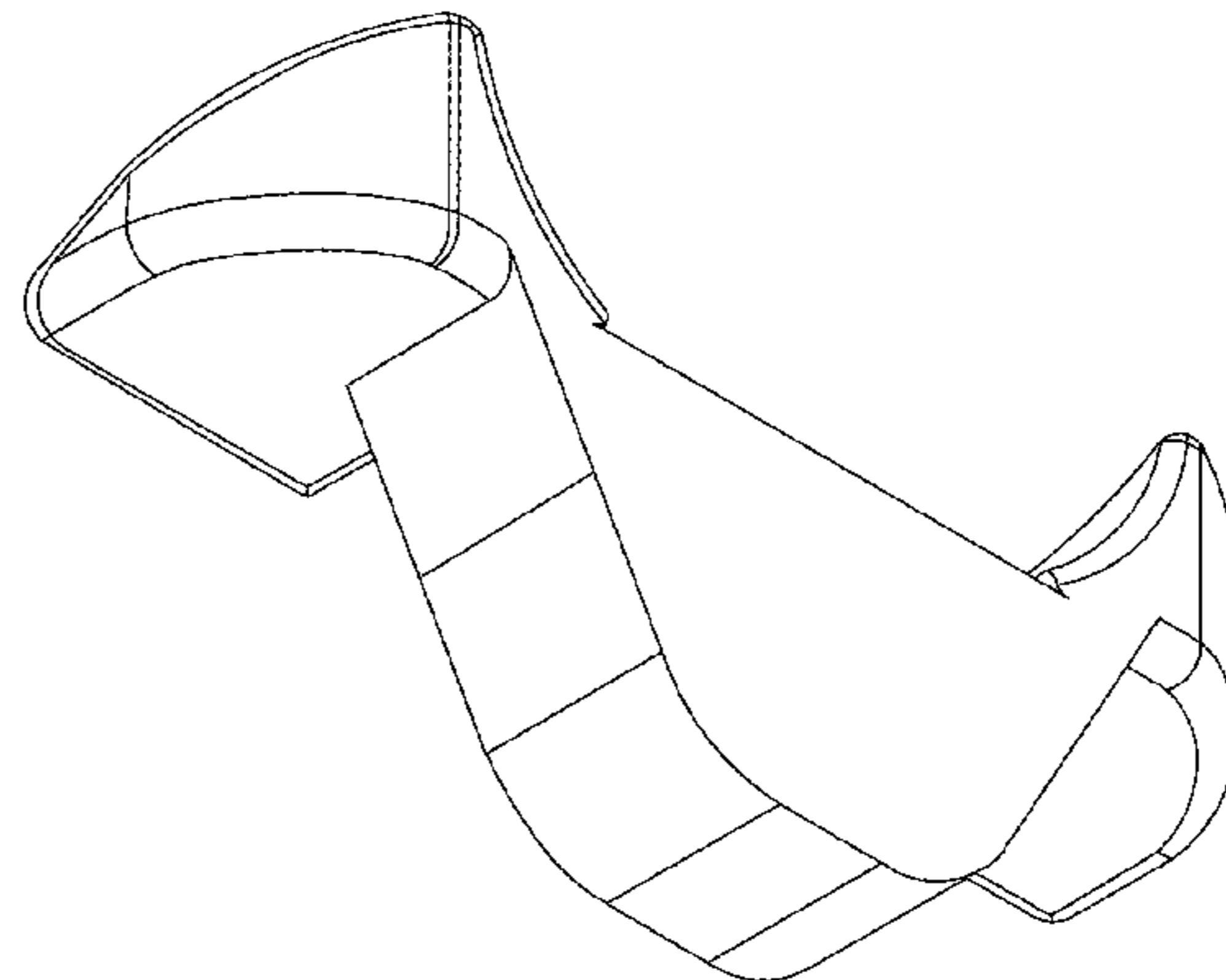
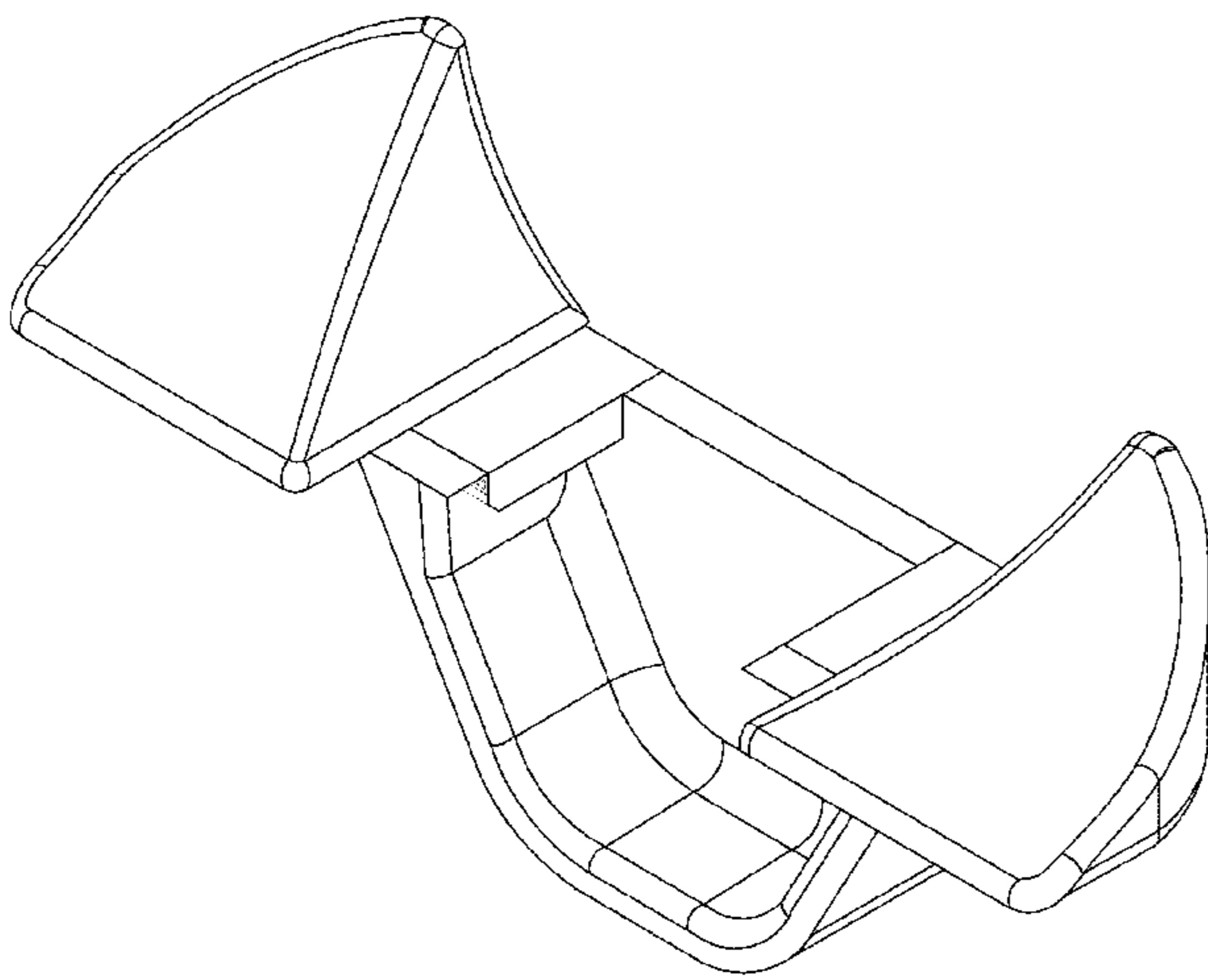
(57) **CLAIM**

The ornamental design for a firearm thumb support, as shown and described.

**DESCRIPTION**

FIG. 1 is a perspective view of a firearm thumb support.  
FIG. 2 is another perspective view thereof.  
FIG. 3 is a side view thereof; and,  
FIG. 4 is a front view thereof.  
The broken lines in the figures depict portions of the firearm thumb support that form no part of the claimed design.

**1 Claim, 4 Drawing Sheets**



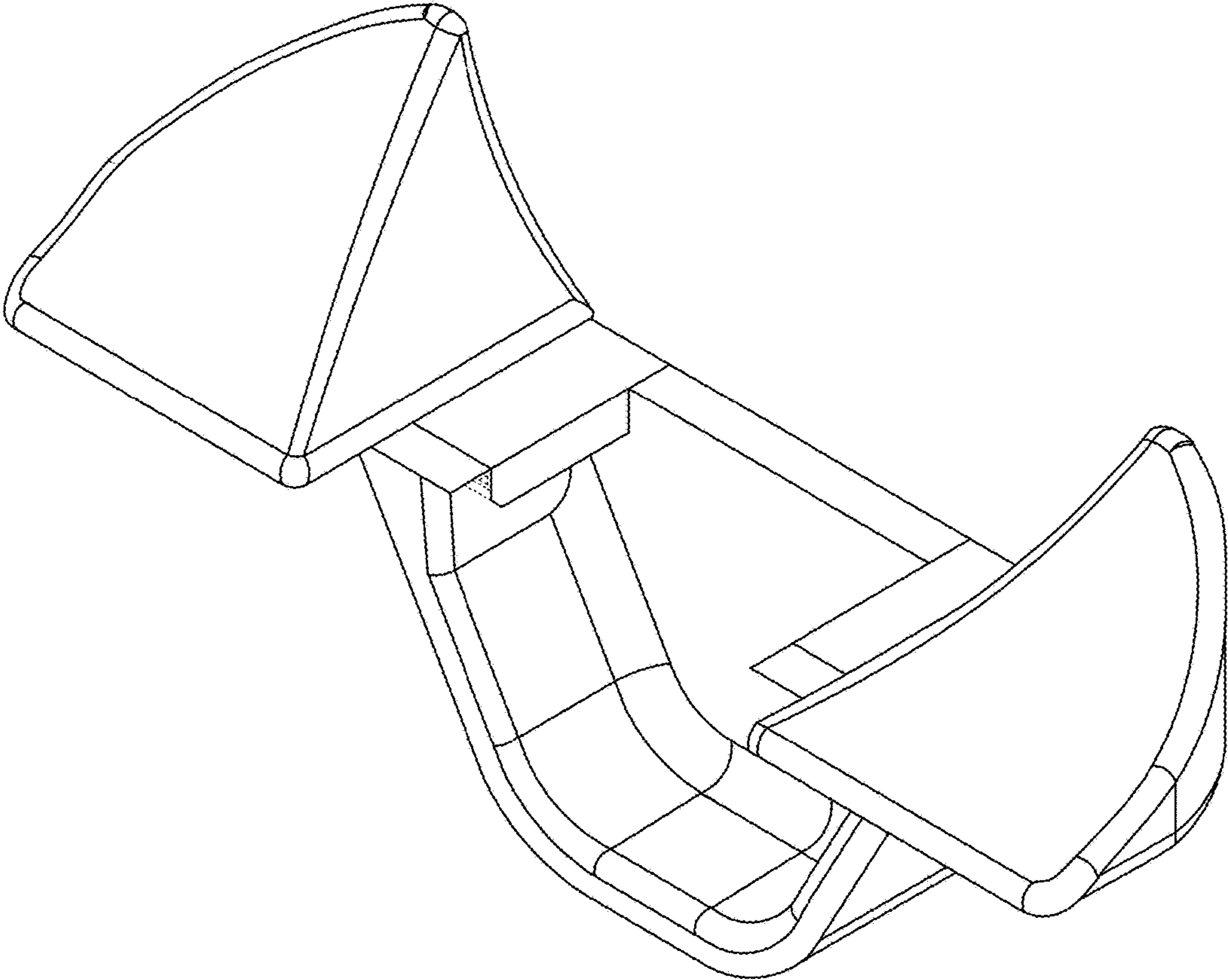


FIG. 1

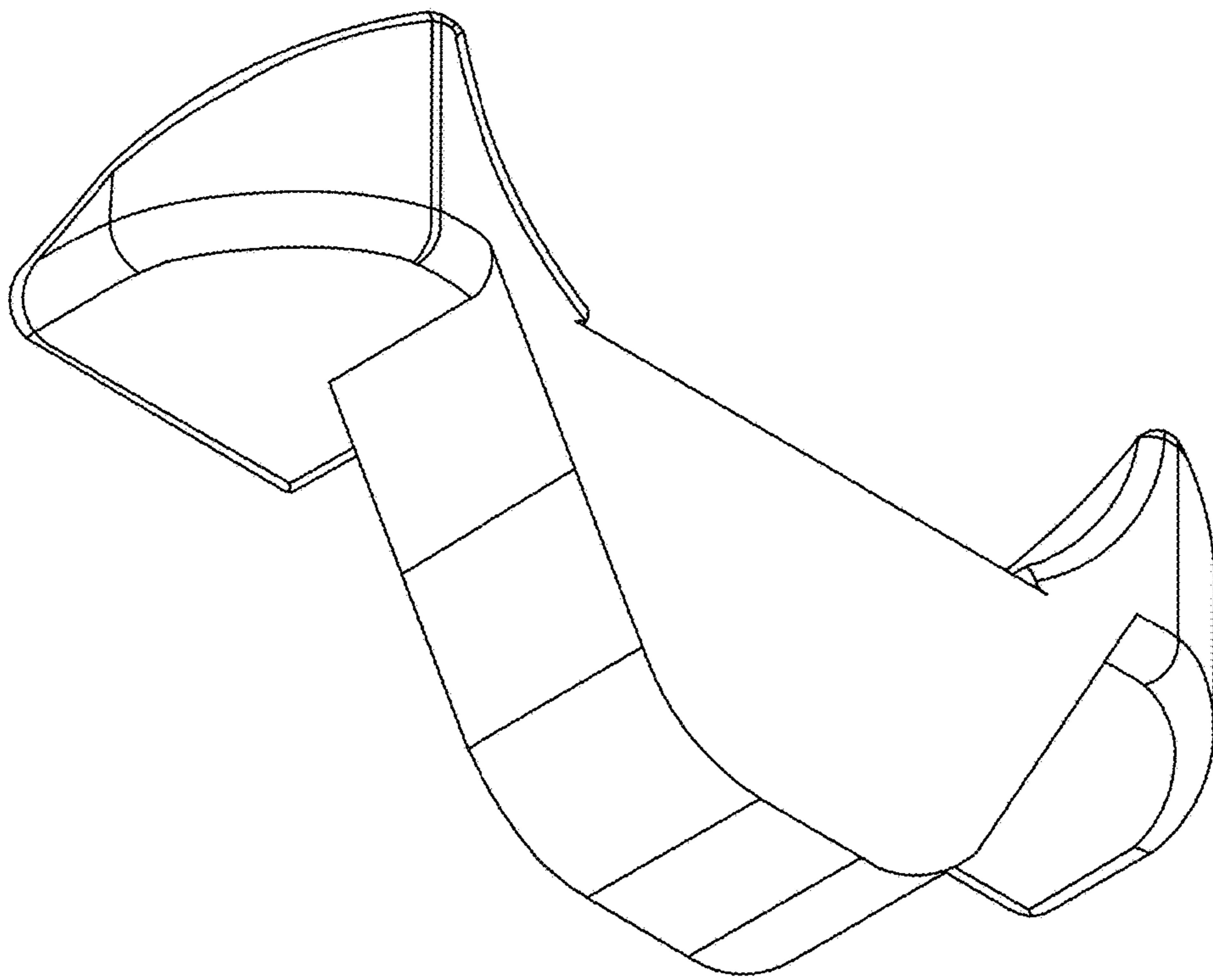


FIG. 2

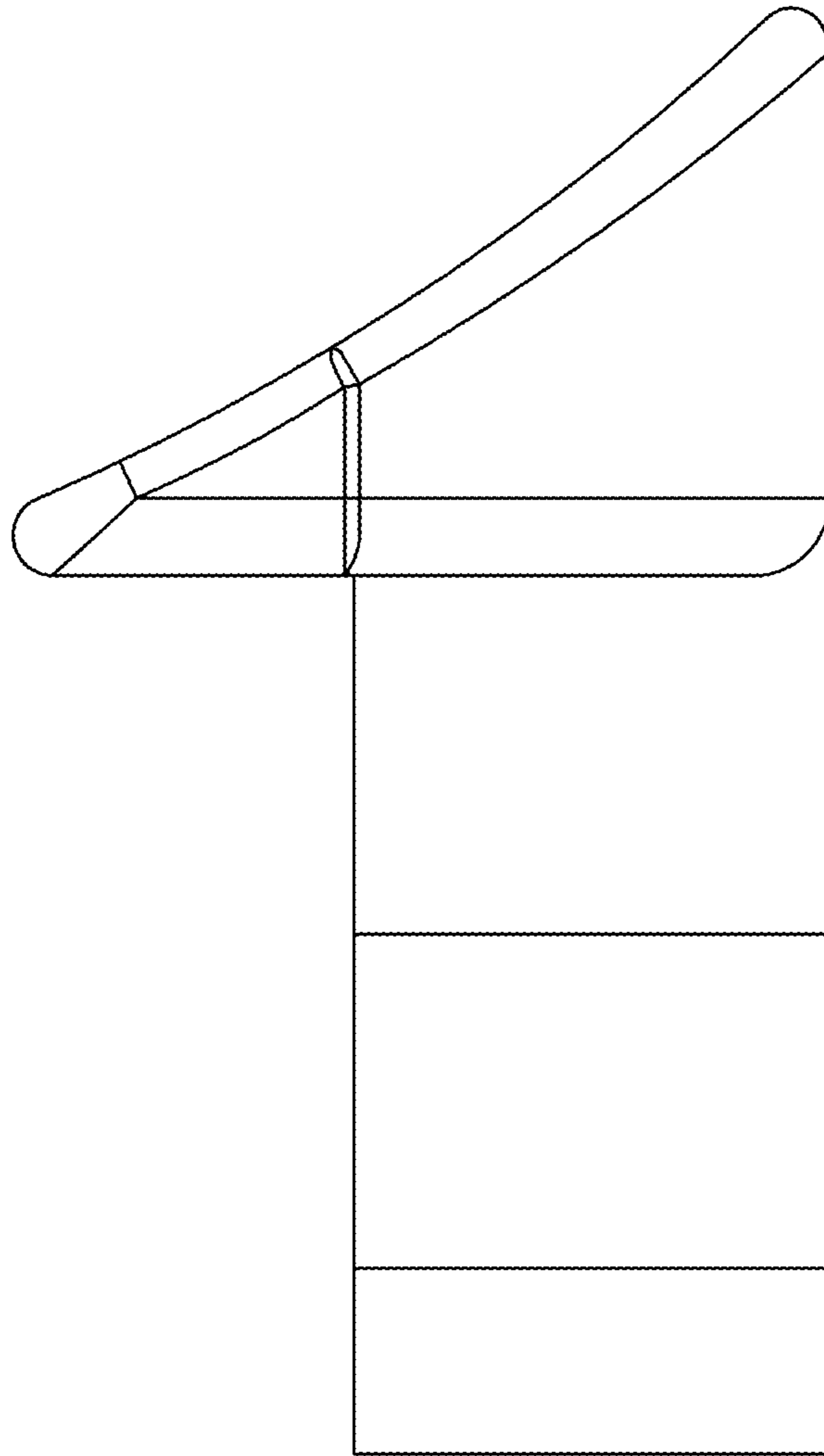


FIG. 3

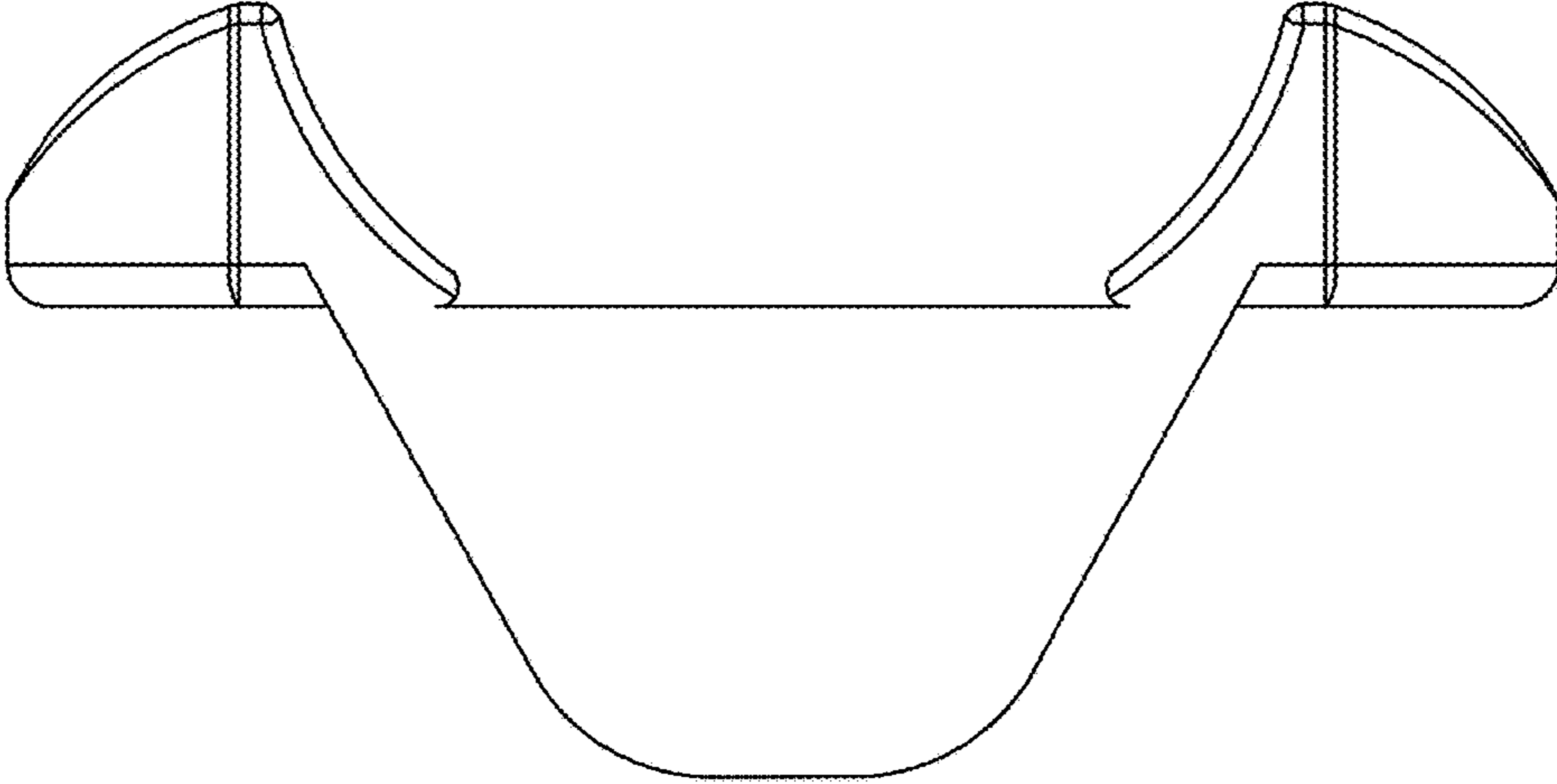


FIG. 4