



US00D814594S

(12) **United States Design Patent**
Saadon

(10) **Patent No.:** **US D814,594 S**

(45) **Date of Patent:** **** Apr. 3, 2018**

(54) **VERTICAL GRIP**

(71) Applicant: **FXD, LLC**, Austin, TX (US)

(72) Inventor: **Marschell B Saadon**, Round Rock, TX (US)

(73) Assignee: **FXD, LLC**, Austin, TX (US)

(**) Term: **15 Years**

(21) Appl. No.: **29/556,379**

(22) Filed: **Feb. 29, 2016**

(51) **LOC (11) Cl.** **22-01**

(52) **U.S. Cl.**
USPC **D22/108**

(58) **Field of Classification Search**
USPC D8/68, 83, 303; D22/103, 108
CPC F41C 23/10; F41C 23/14; F41C 23/16;
F41C 23/18

See application file for complete search history.

(56) **References Cited**

U.S. PATENT DOCUMENTS

7,490,429	B2 *	2/2009	Moody	F41A 23/08
					248/171
D633,163	S *	2/2011	Fitzpatrick	D22/108
D639,888	S *	6/2011	McPherson	D22/107
D644,707	S *	9/2011	Faifer	D22/108
D660,934	S *	5/2012	Faifer	D22/108

D704,298	S *	5/2014	Cheng	D22/109
D740,098	S *	10/2015	Kuo	D8/303
D745,628	S *	12/2015	Barfoot	D22/108
D749,186	S *	2/2016	Cheng	D22/108
D763,393	S *	8/2016	Freed	D22/108
D783,756	S *	4/2017	McPherson	D22/107
D787,002	S *	5/2017	Hawkins	D22/108
2010/0005696	A1 *	1/2010	Moody	F41C 23/16
					42/94

* cited by examiner

Primary Examiner — Karen S Acker

Assistant Examiner — Steven B Reinholdt, Jr.

(57) **CLAIM**

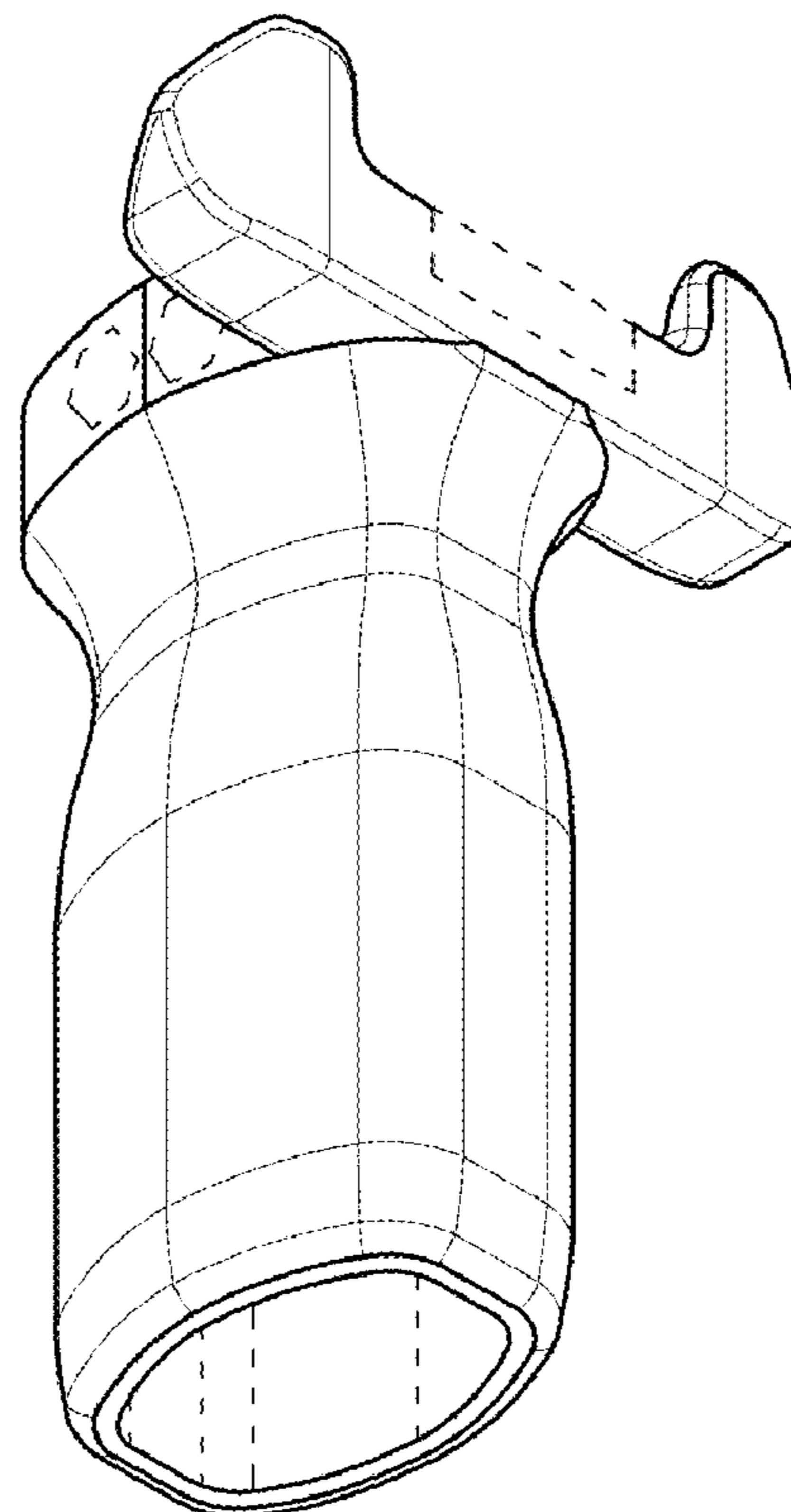
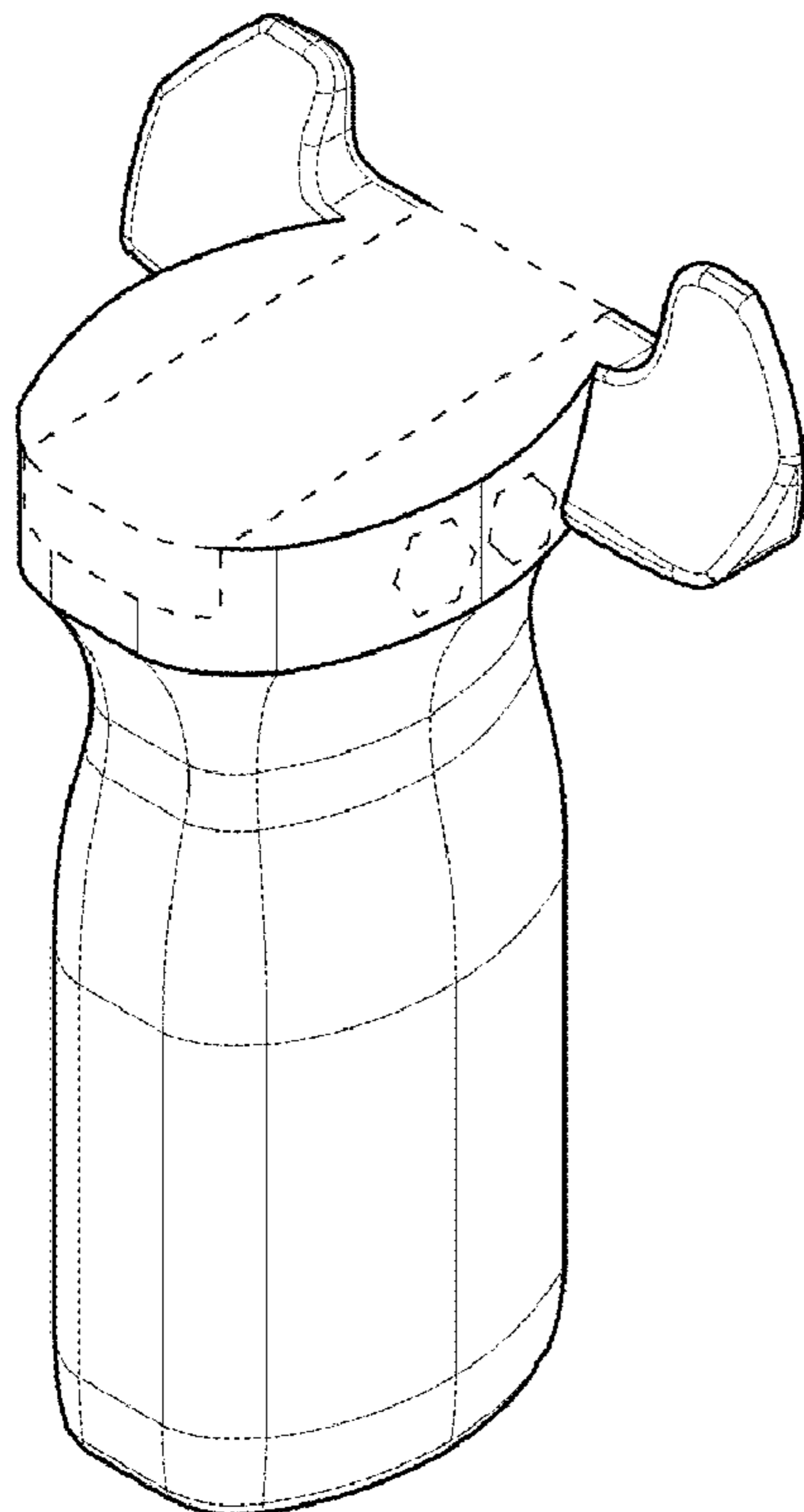
The ornamental design for a vertical grip, as shown and described.

DESCRIPTION

FIG. 1 is a perspective view of a vertical grip.
 FIG. 2 is another perspective view thereof.
 FIG. 3 is a side view thereof.
 FIG. 4 is a front view thereof.
 FIG. 5 is a back view thereof; and,
 FIG. 6 is a side view of the vertical grip in a use configuration with an unclaimed firearm.

The broken lines in the figures represent portions of the vertical grip that form no part of the claimed design. The broken lines in FIG. 6 depict an unclaimed rifle included for environmental context and form no part of the claimed design.

1 Claim, 4 Drawing Sheets



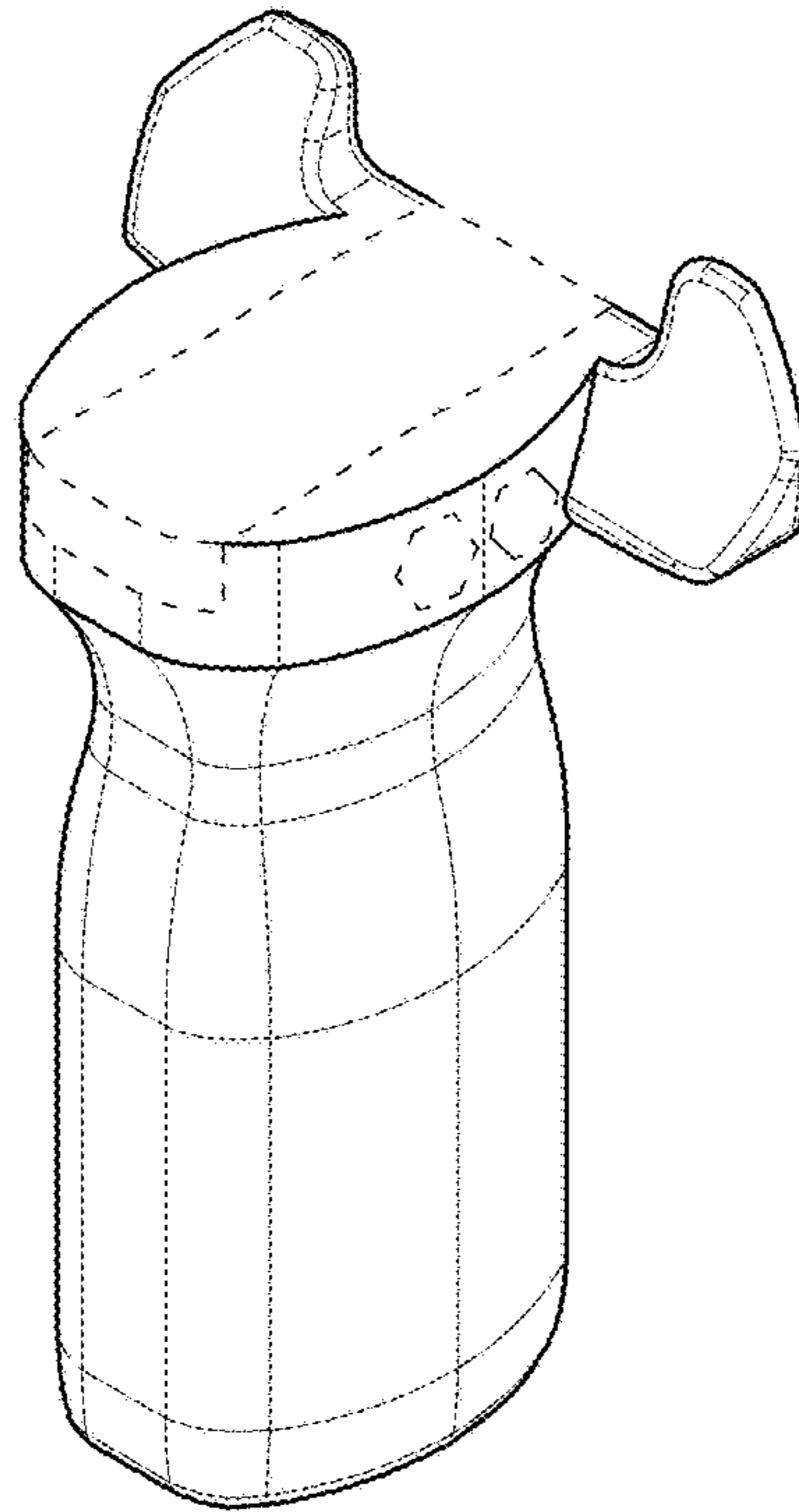


FIG. 1

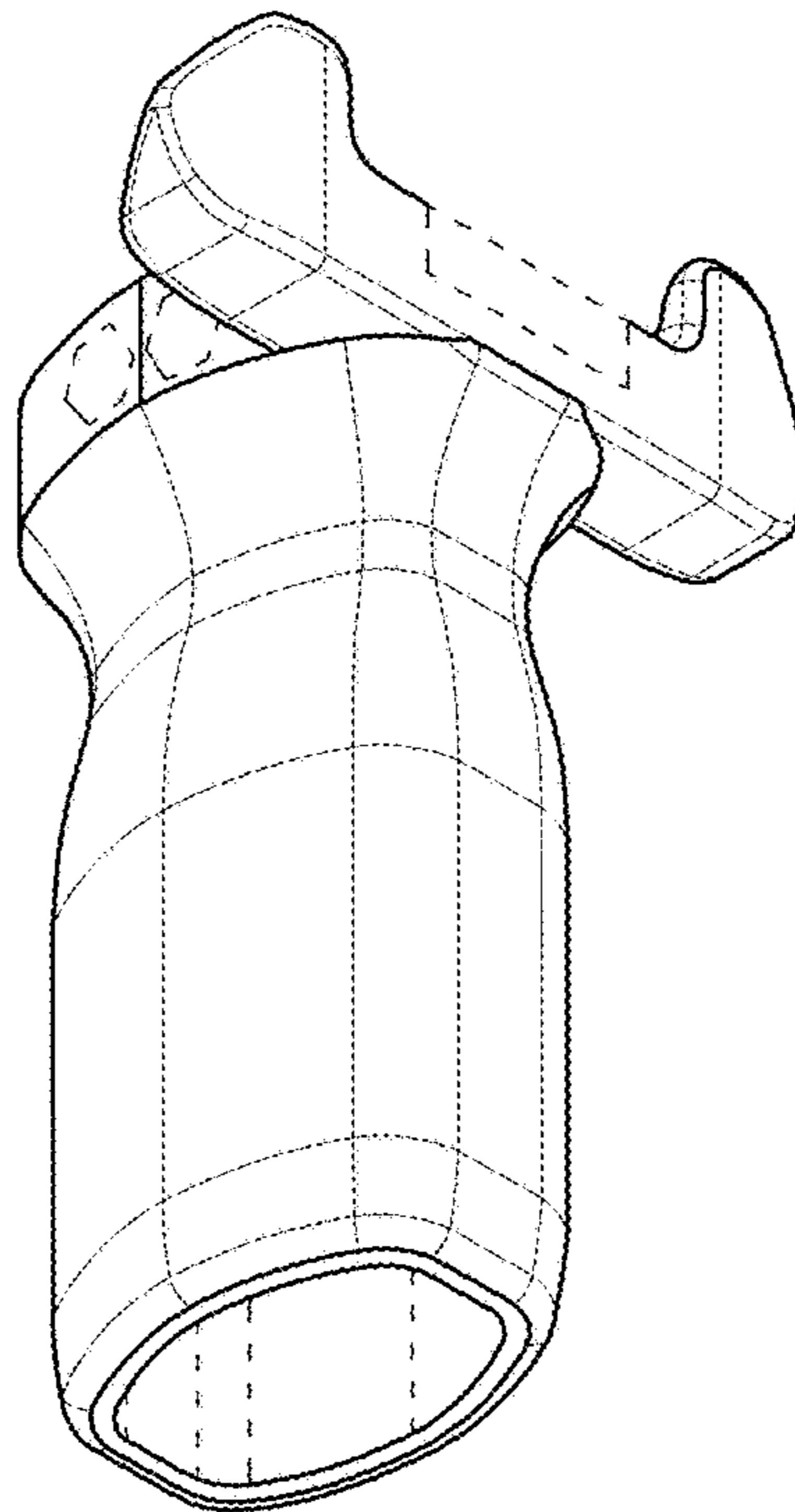


FIG. 2

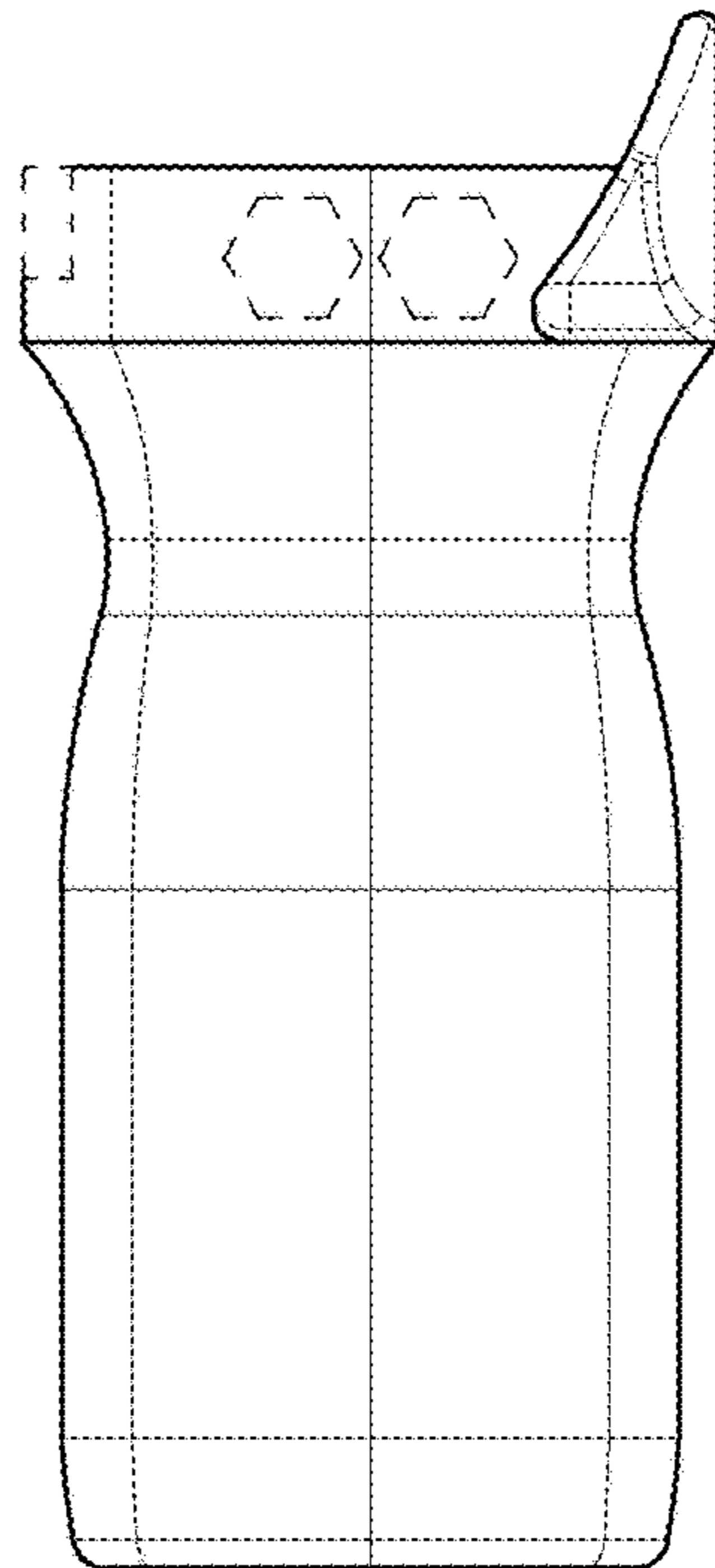


FIG. 3

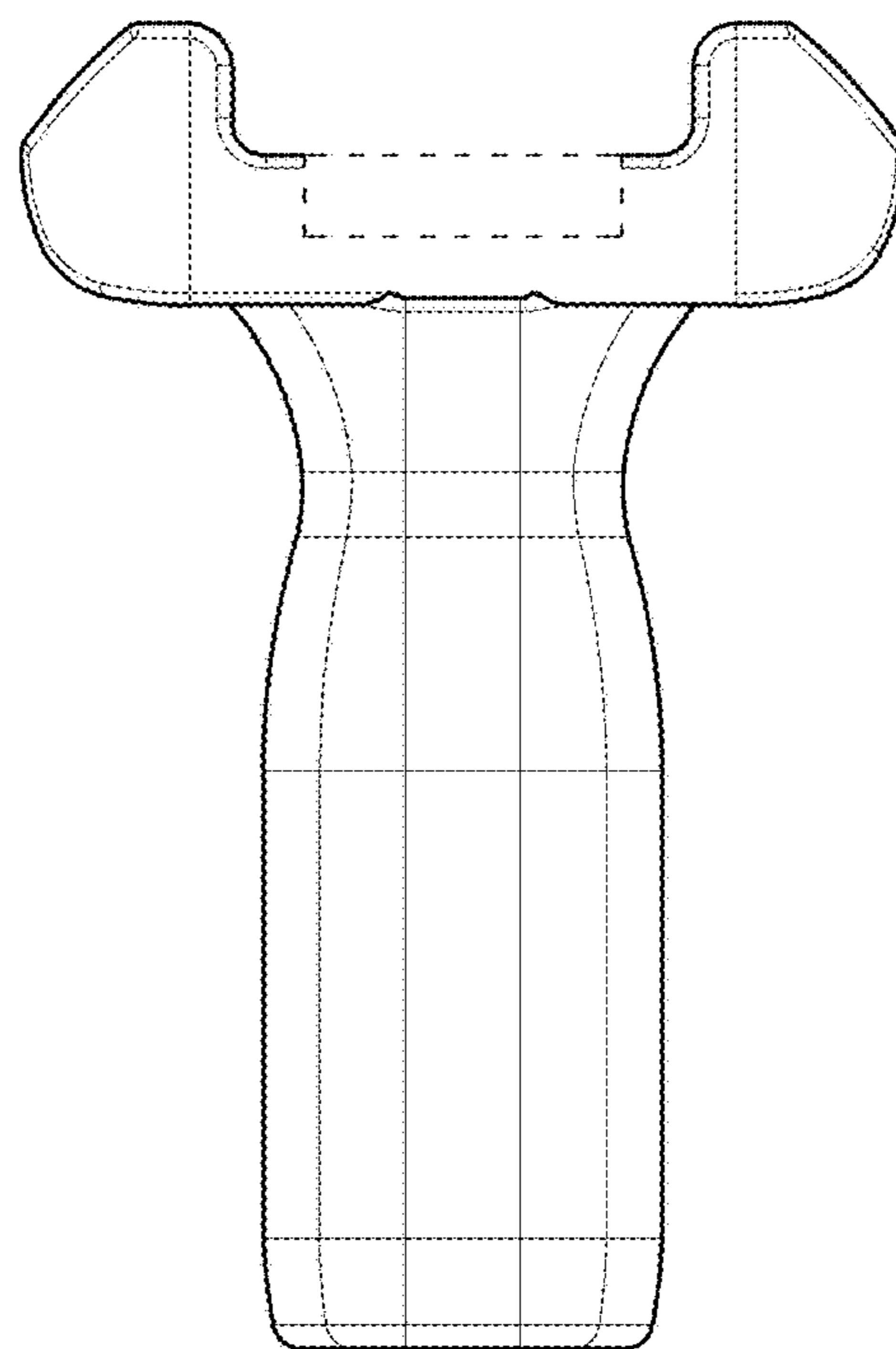


FIG. 4

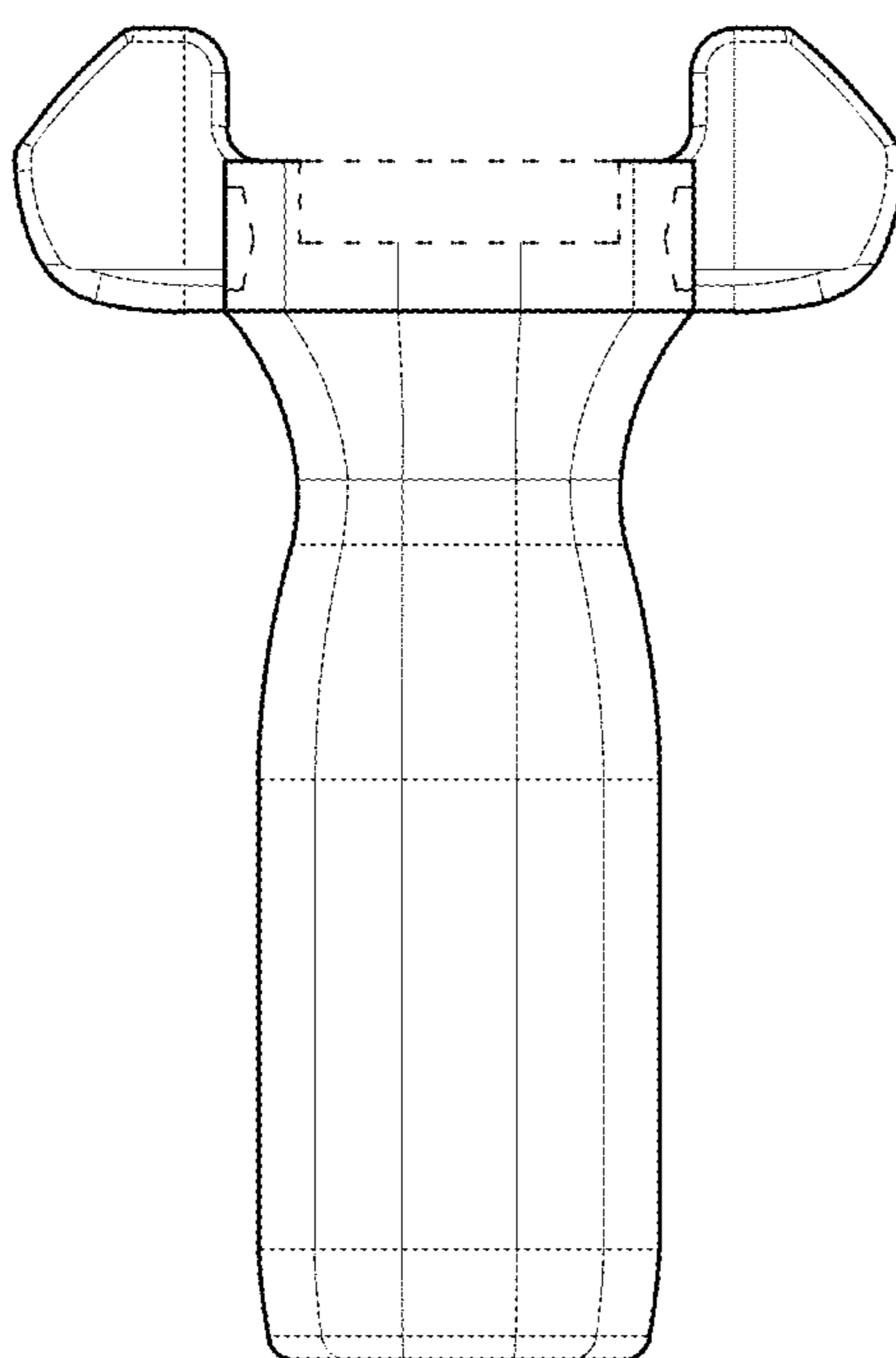


FIG. 5

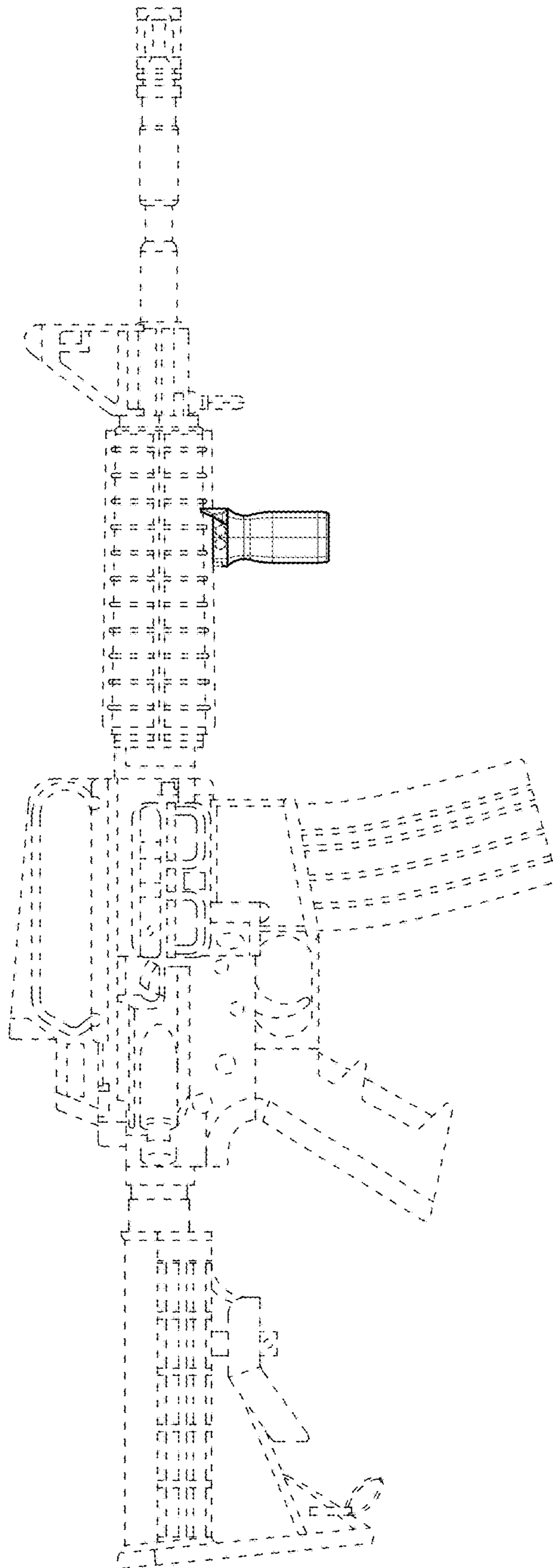


FIG. 6