



US00D814593S

(12) **United States Design Patent**
O'Clair et al.

(10) **Patent No.:** **US D814,593 S**

(45) **Date of Patent:** **** Apr. 3, 2018**

(54) **PISTOL**

(71) Applicant: **Smith & Wesson Corp.**, Springfield, MA (US)

(72) Inventors: **Sean O'Clair**, Feeding Hills, MA (US);
Brett Curry, Monson, MA (US)

(73) Assignee: **Smith & Wesson Corp.**, Springfield, MA (US)

(**) Term: **15 Years**

(21) Appl. No.: **29/563,554**

(22) Filed: **May 5, 2016**

(51) **LOC (11) Cl.** **22-01**

(52) **U.S. Cl.**
USPC **D22/104**

(58) **Field of Classification Search**
USPC D22/104, 108
CPC F41C 3/14; F41C 3/16; F41C 3/04
See application file for complete search history.

(56) **References Cited**

U.S. PATENT DOCUMENTS

D359,098 S	*	6/1995	Stevens	D22/104
D479,570 S	*	9/2003	Scheunert	D22/104
D505,475 S	*	5/2005	Salva	D22/104
D579,072 S	*	10/2008	McGarry	D22/104
D583,896 S	*	12/2008	McGarry	D22/104
D593,629 S	*	6/2009	Bantle	D22/104
D598,065 S	*	8/2009	Vukovic	D22/104
D627,028 S	*	11/2010	Coulombier	D22/104
D671,610 S	*	11/2012	Nebeker	D22/104
D676,094 S	*	2/2013	Hu	D21/574
D681,131 S	*	4/2013	Su	D21/574
D688,764 S	*	8/2013	Yigit	D22/104
D690,374 S	*	9/2013	Lee	D21/574
D692,513 S	*	10/2013	Yigit	D22/104

D708,692 S	*	7/2014	Sutcu	D22/104
D742,985 S	*	11/2015	Hudson, III	D22/104
D744,049 S	*	11/2015	Chu	D21/574
D755,324 S	*	5/2016	Martelli	D22/104
D772,364 S	*	11/2016	Kedairy	D22/104
D777,871 S	*	1/2017	Niswander	D22/108
D784,479 S	*	4/2017	Niswander	D22/108

OTHER PUBLICATIONS

Author Unknown, Smith & Wesson 2013 Product Catalog; M&P 9 Shield; image obtained online; http://www.smith-wesson.com/wcsstore/SmWesson2/upload/images/firearms/zoom_lg/180021_lg.jpg, Jun. 23, 2013.

(Continued)

Primary Examiner — Michael A Pratt

(74) *Attorney, Agent, or Firm* — John A. Chionchio, Esquire; Ballard Spahr LLP

(57) **CLAIM**

We claim the ornamental design for a pistol, as shown and described.

DESCRIPTION

FIG. 1 is a right side view of an embodiment of a pistol according to the invention;

FIG. 2 is a left side view of the pistol shown in FIG. 1;

FIG. 3 is a front view of the pistol shown in FIG. 1;

FIG. 4 is a rear view of the pistol shown in FIG. 1;

FIG. 5 is a top view of the pistol shown in FIG. 1;

FIG. 6 is a bottom view of the pistol shown in FIG. 1;

FIG. 7 is a right side view of an embodiment of a pistol according to the invention;

FIG. 8 is a left side view of the pistol shown in FIG. 8;

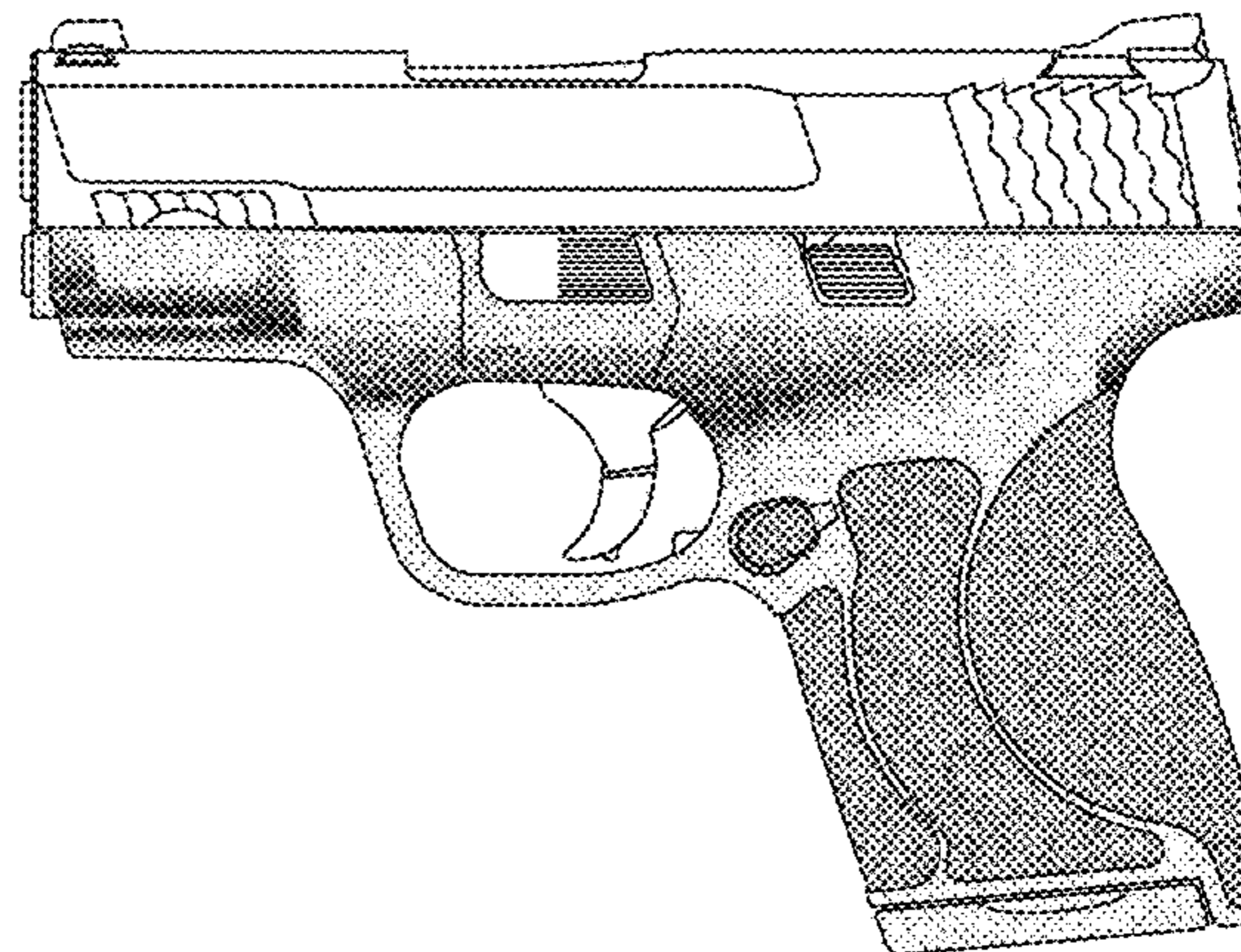
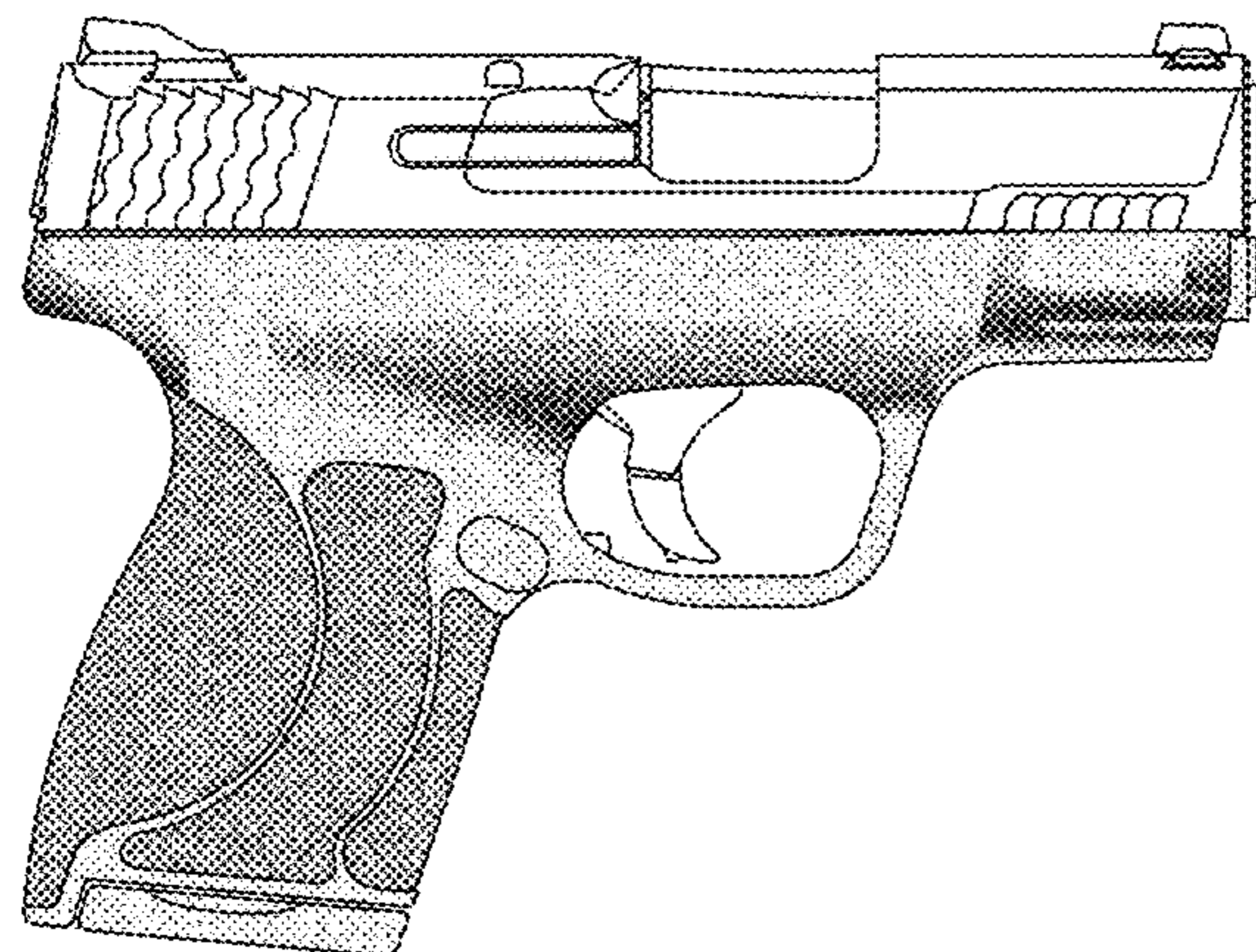
FIG. 9 is a front view of the pistol shown in FIG. 8;

FIG. 10 is a rear view of the pistol shown in FIG. 8;

FIG. 11 is a top view of the pistol shown in FIG. 8; and,

FIG. 12 is a bottom view of the pistol shown in FIG. 8.

1 Claim, 4 Drawing Sheets



(56)

References Cited

OTHER PUBLICATIONS

Author Unknown, Smith & Wesson 2013 Product Catalog; M&P 40 Shield; image obtained online;http://www.smith-wesson.com/wcsstore/SmWesson.com2/upload/images/firearms/zoom_lg/180020_01_lg.jpg, Jun. 23, 2016.

Author Unknown; Office Action from counterpart Japanese patent application No. 2016-23722; dated May 11, 2017; pp. 1-3; Japanese Patent Office; Tokyo, Japan.

Author Unknown; Office Action from counterpart Japanese patent application No. 2016-23724; dated May 11, 2017; pp. 1-3; Japanese Patent Office; Tokyo, Japan.

Author Unknown; Office Action from counterpart Japanese patent application No. 2016-23730; dated May 11, 2017; pp. 1-3; Japanese Patent Office; Tokyo, Japan.

* cited by examiner

FIG. 1

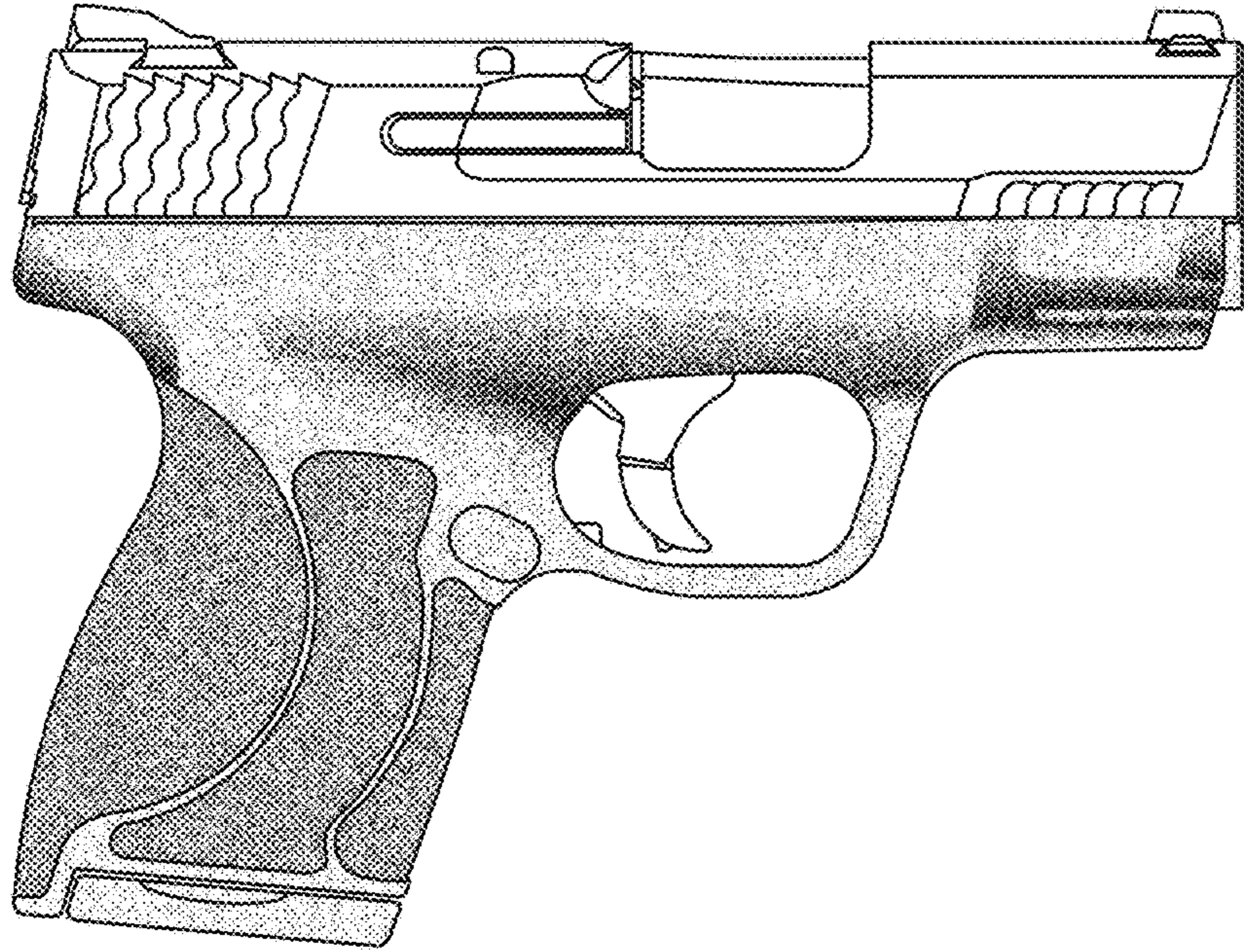


FIG. 2

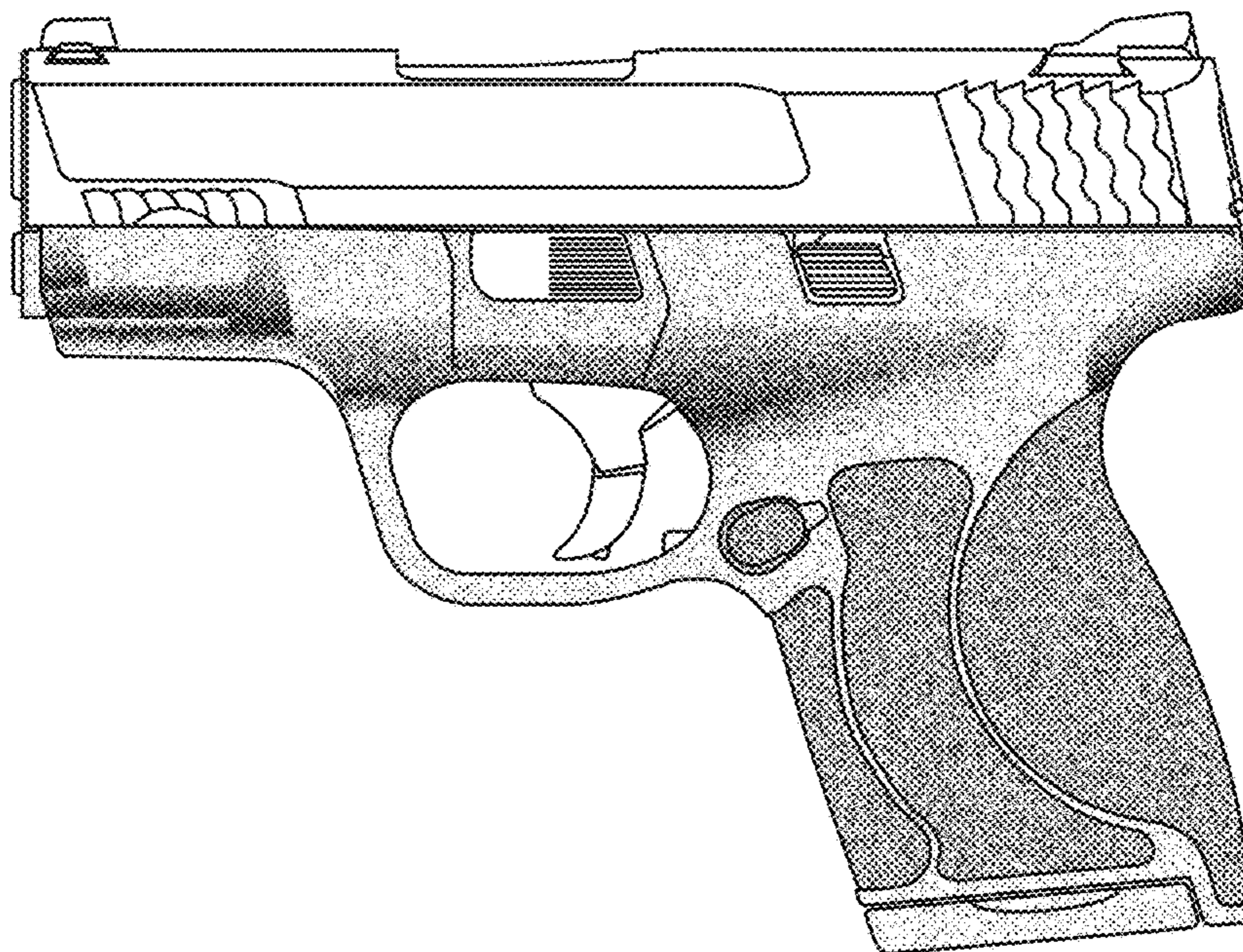


FIG. 3

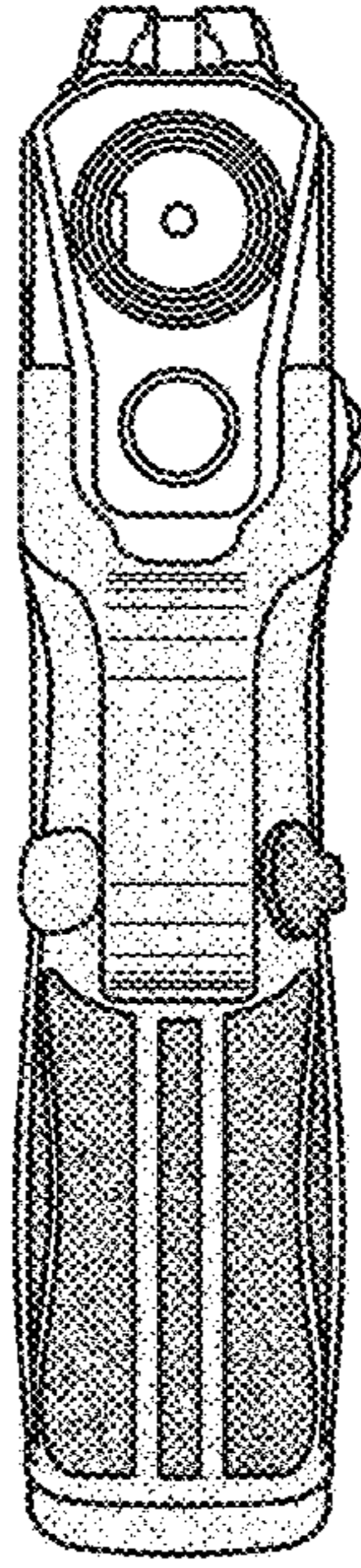


FIG. 4

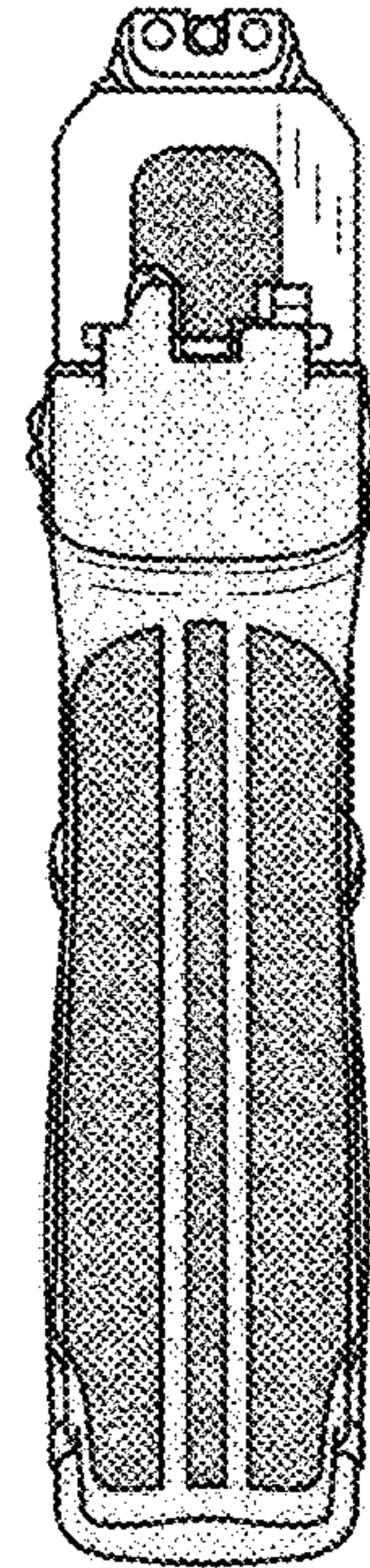


FIG. 5

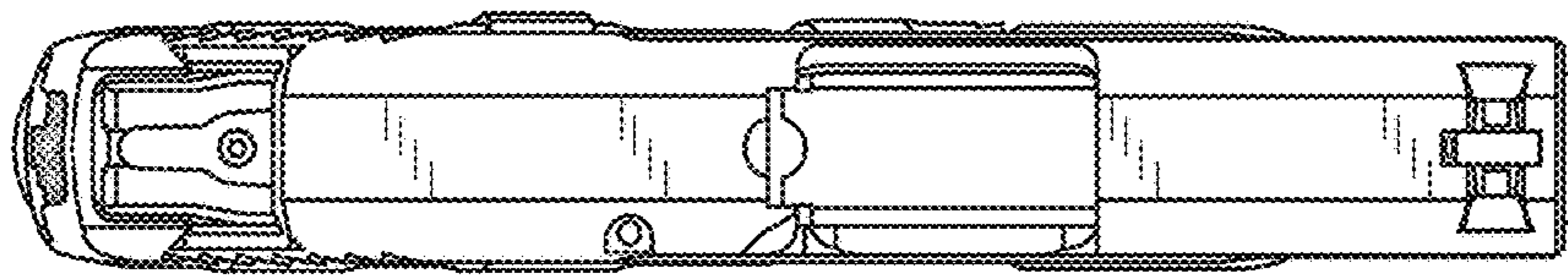


FIG. 6

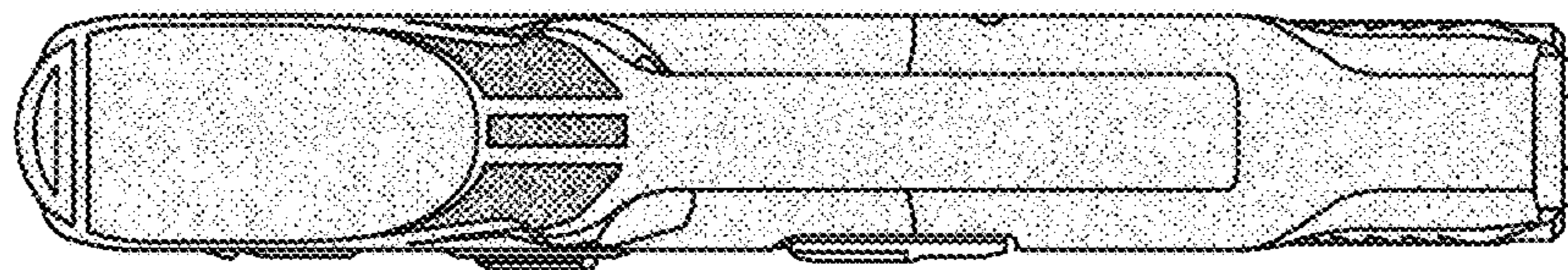


FIG. 7

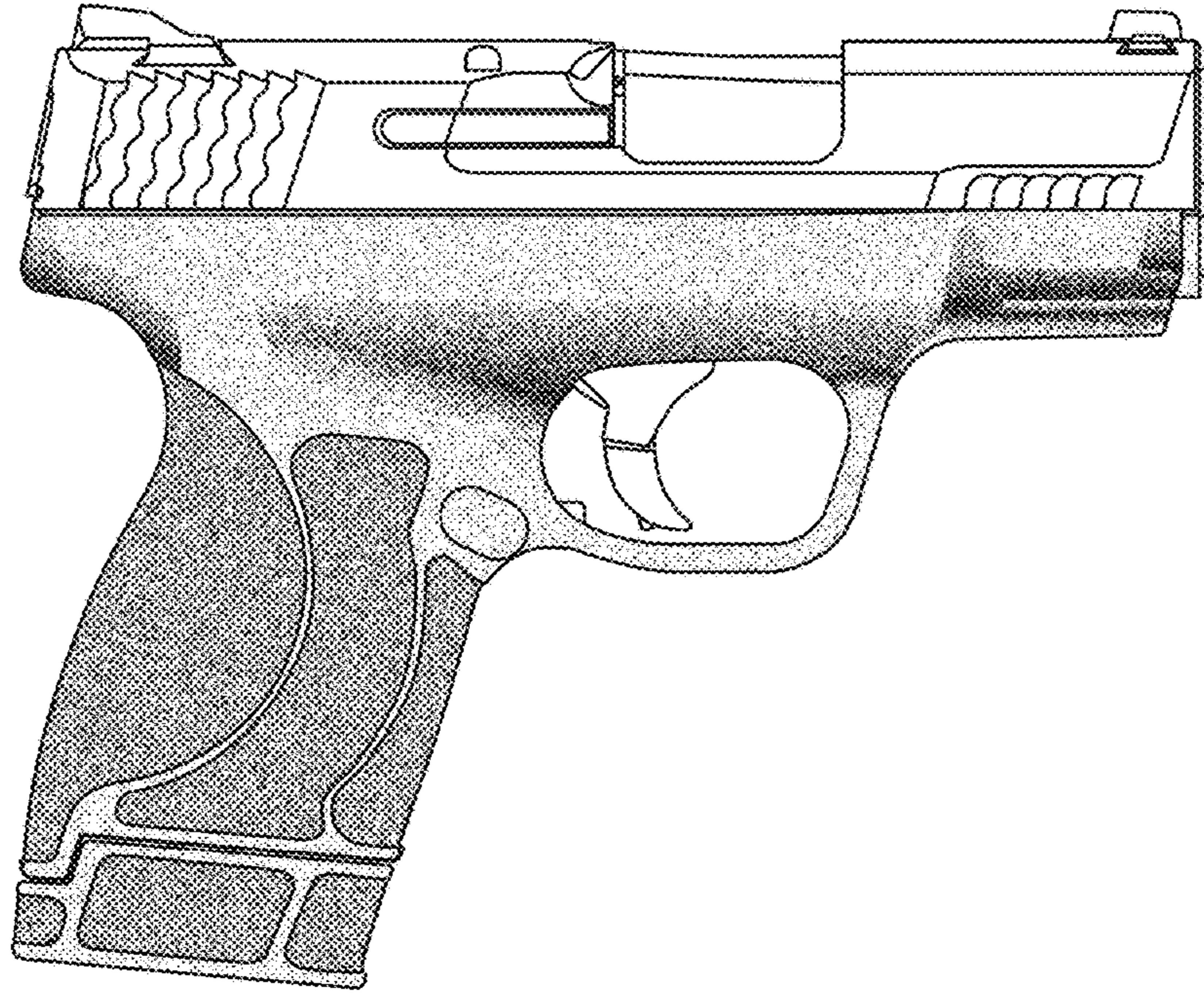


FIG. 8

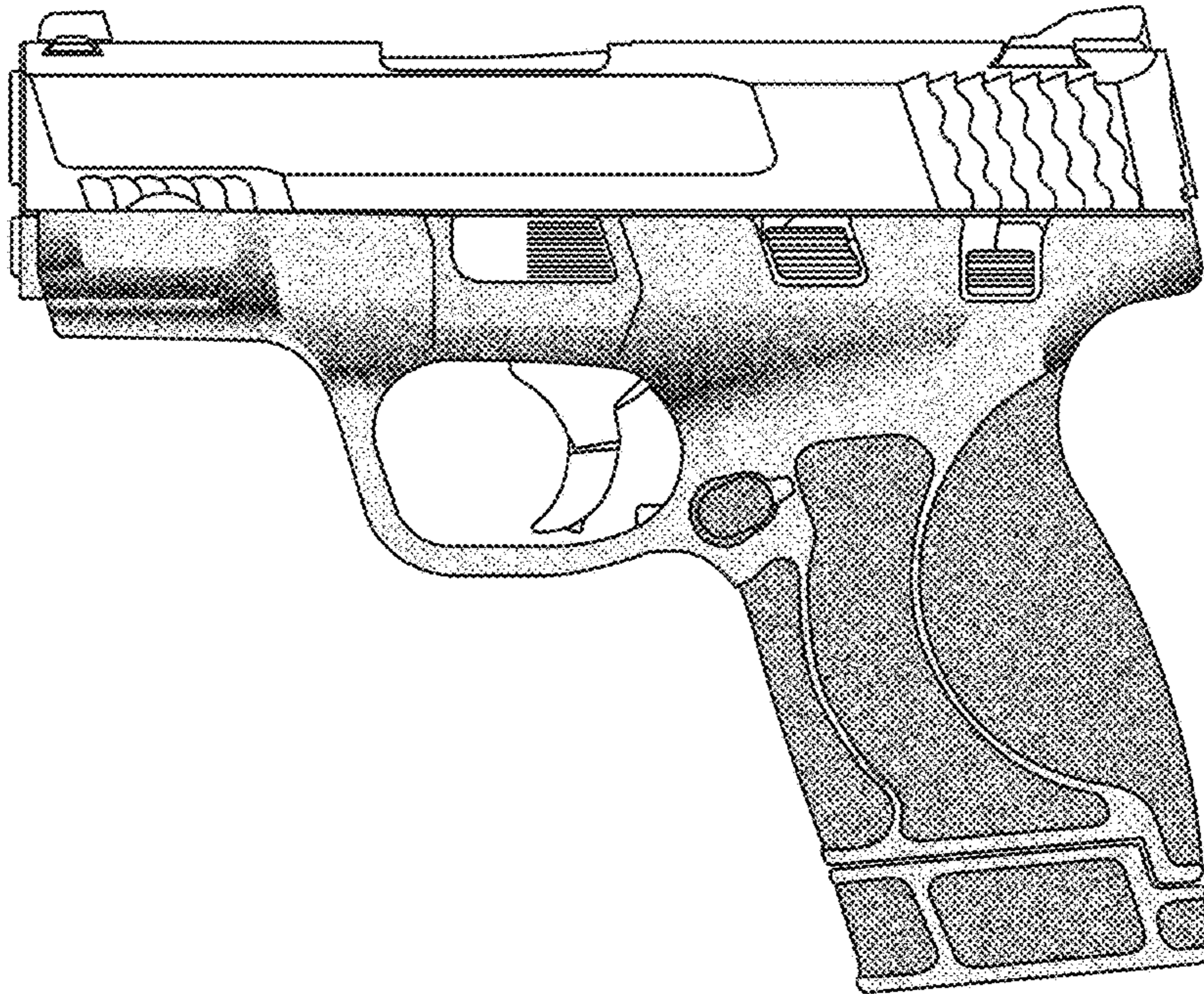


FIG. 9

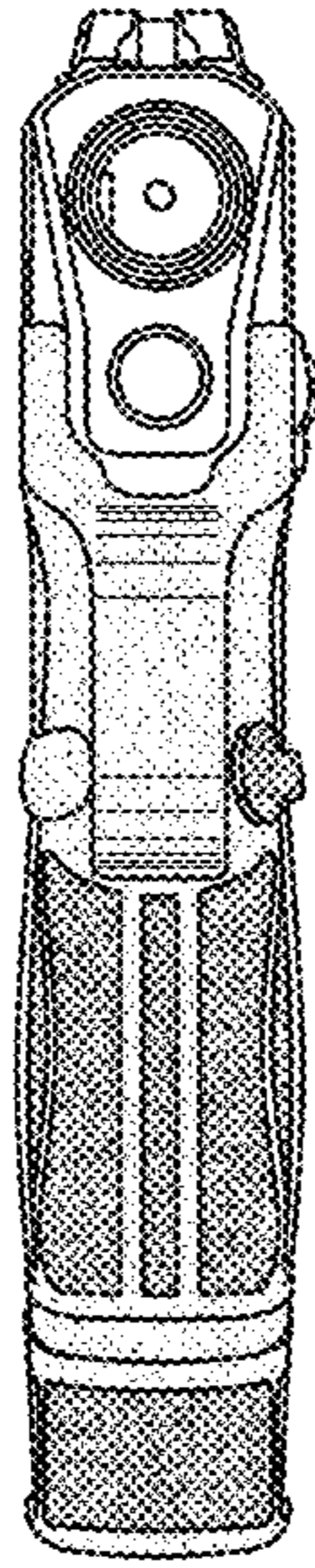


FIG. 10

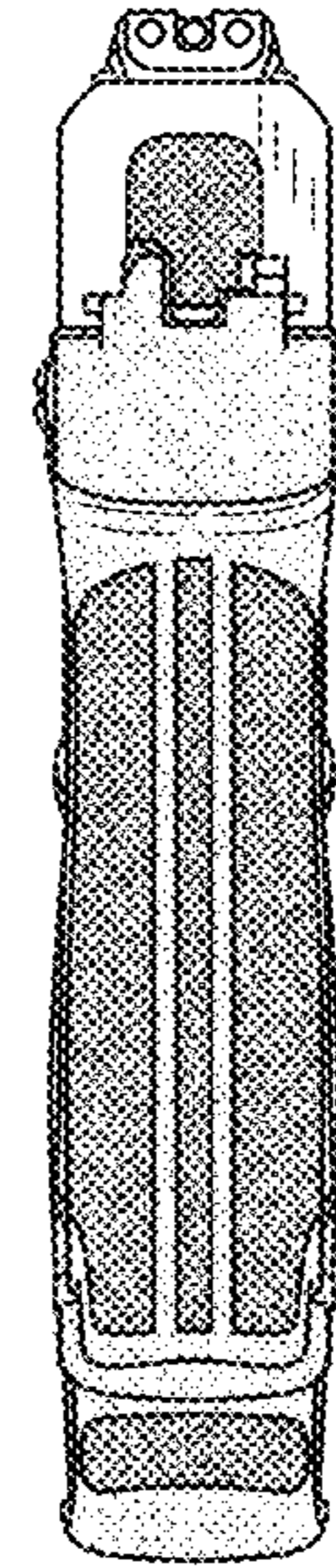


FIG. 11

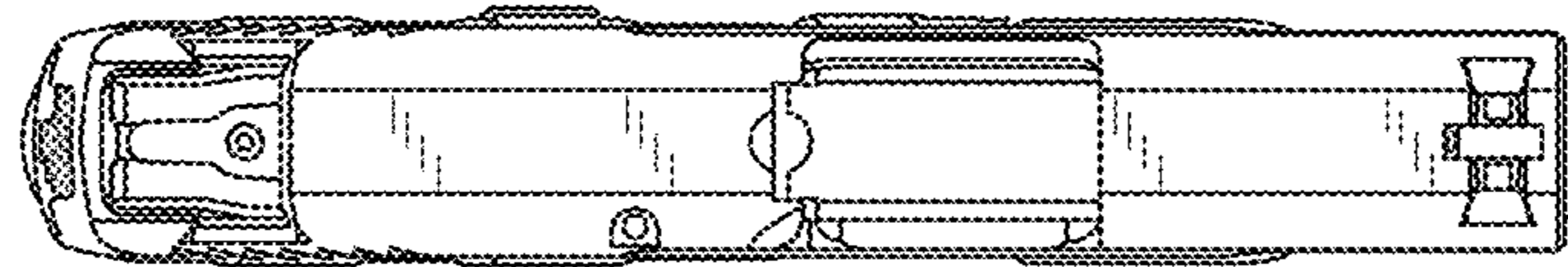


FIG. 12

