



US00D814591S

(12) **United States Design Patent**
Koçgür et al.

(10) **Patent No.:** **US D814,591 S**

(45) **Date of Patent:** **** Apr. 3, 2018**

(54) **FIREARM**

(71) Applicant: **Ultron Savunma Sanayi ve Ticaret Co., Selcuklu (TR)**

(72) Inventors: **Metehan Koçgür, Selcuklu (TR); Fatih Koçgür, Selcuklu (TR)**

(**) Term: **15 Years**

(21) Appl. No.: **29/571,494**

(22) Filed: **Jul. 19, 2016**

(51) **LOC (11) Cl.** **22-01**

(52) **U.S. Cl.**
USPC **D22/103**

(58) **Field of Classification Search**
USPC D22/103, 108; D21/572-575
CPC F41C 23/10; F41C 23/14; F41C 23/16;
F41C 23/18; F41C 23/00; F41C 27/00;
F41C 27/06; F41A 5/18; F41A 5/24;
F41A 21/28

See application file for complete search history.

(56) **References Cited**

U.S. PATENT DOCUMENTS

4,709,617 A * 12/1987 Anderson F41A 3/76
89/157
4,856,410 A * 8/1989 Anderson F41A 3/76
89/155

D611,111 S * 3/2010 Hajjar D22/103
D693,420 S * 11/2013 Abbott D22/103
D723,128 S * 2/2015 Hu D22/103
D745,102 S * 12/2015 Young D22/103
D745,103 S * 12/2015 Corsi D22/103
D749,181 S * 2/2016 Hu D22/103
D750,722 S * 3/2016 Young D22/103
D769,394 S * 10/2016 Young D22/103
D779,012 S * 2/2017 Abbott D22/103
D787,619 S * 5/2017 Young D22/103

* cited by examiner

Primary Examiner — Michael A Pratt

(74) *Attorney, Agent, or Firm* — Rod D. Baker

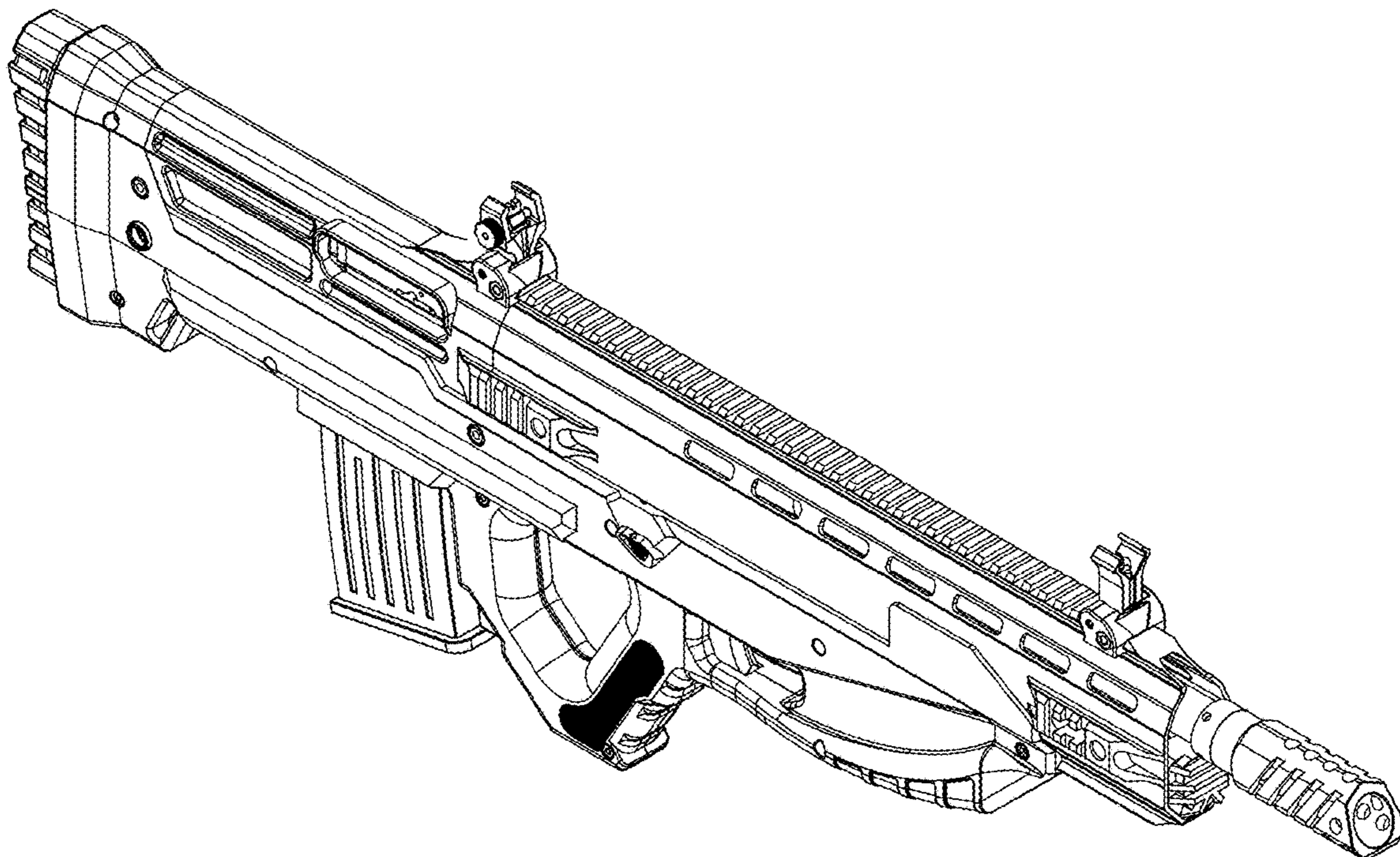
(57) **CLAIM**

We claim the ornamental design for a firearm, as shown and described.

DESCRIPTION

FIG. 1 is a perspective view of the firearm showing our ornamental design;
FIG. 2 is a front elevation view thereof;
FIG. 3 is a rear elevation view thereof;
FIG. 4 is a right side elevation view thereof;
FIG. 5 is a left side elevation view thereof;
FIG. 6 is a top plan view thereof;
FIG. 7 is a bottom view thereof; and,
FIG. 8 is an enlarged view of a portion of the design as seen in FIG. 1.

1 Claim, 8 Drawing Sheets



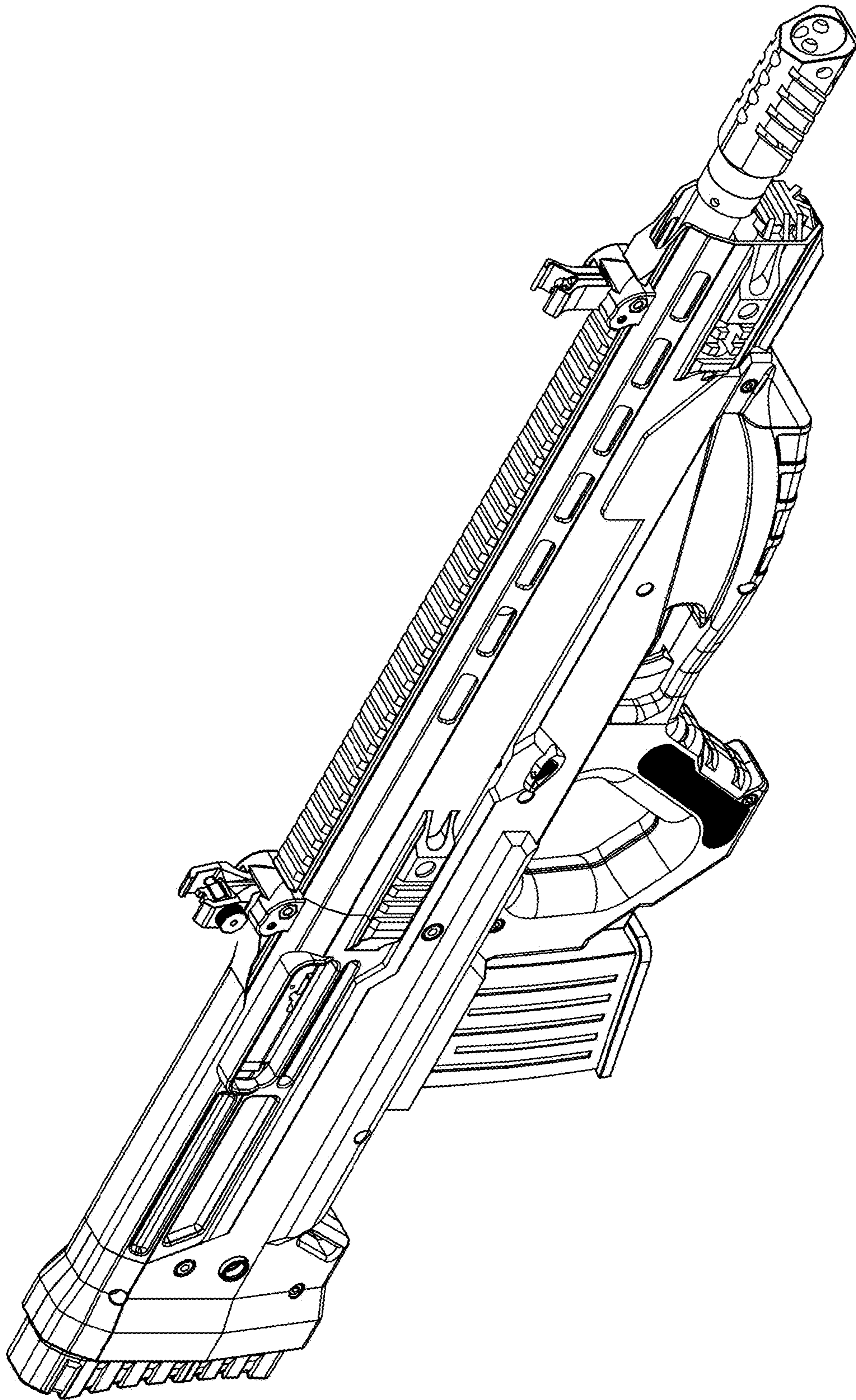


FIG.1

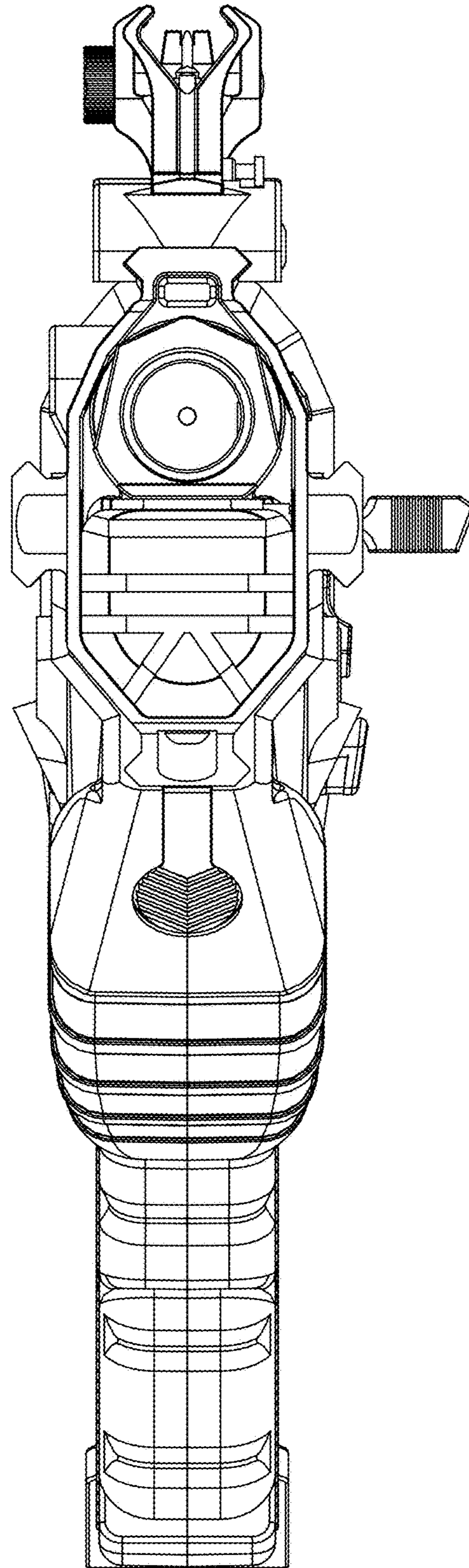


FIG.2

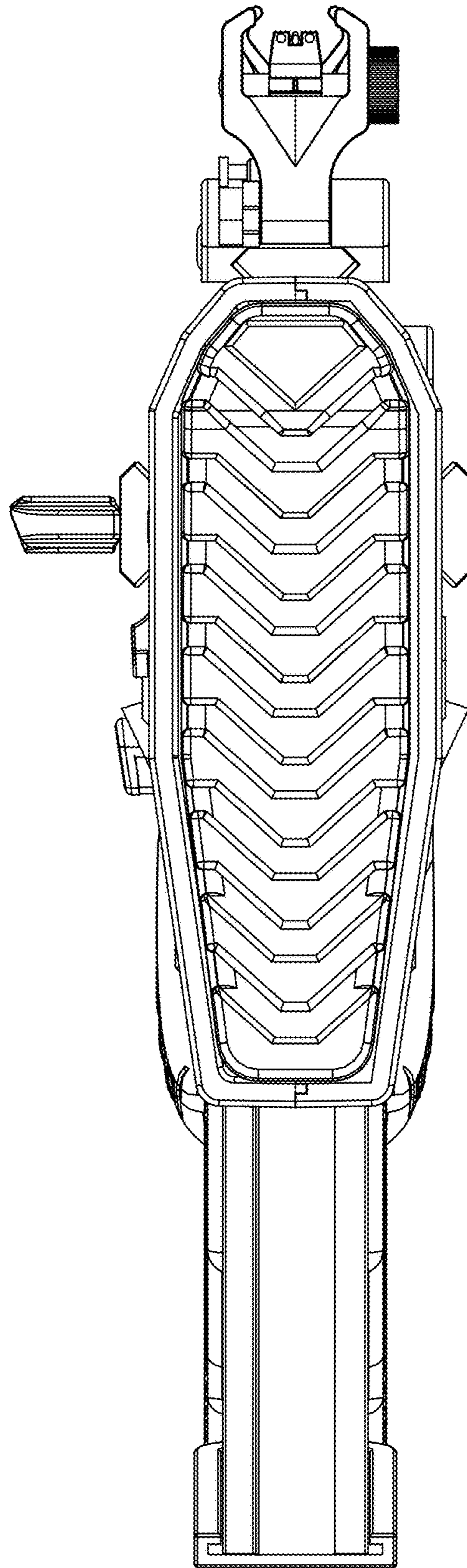


FIG.3

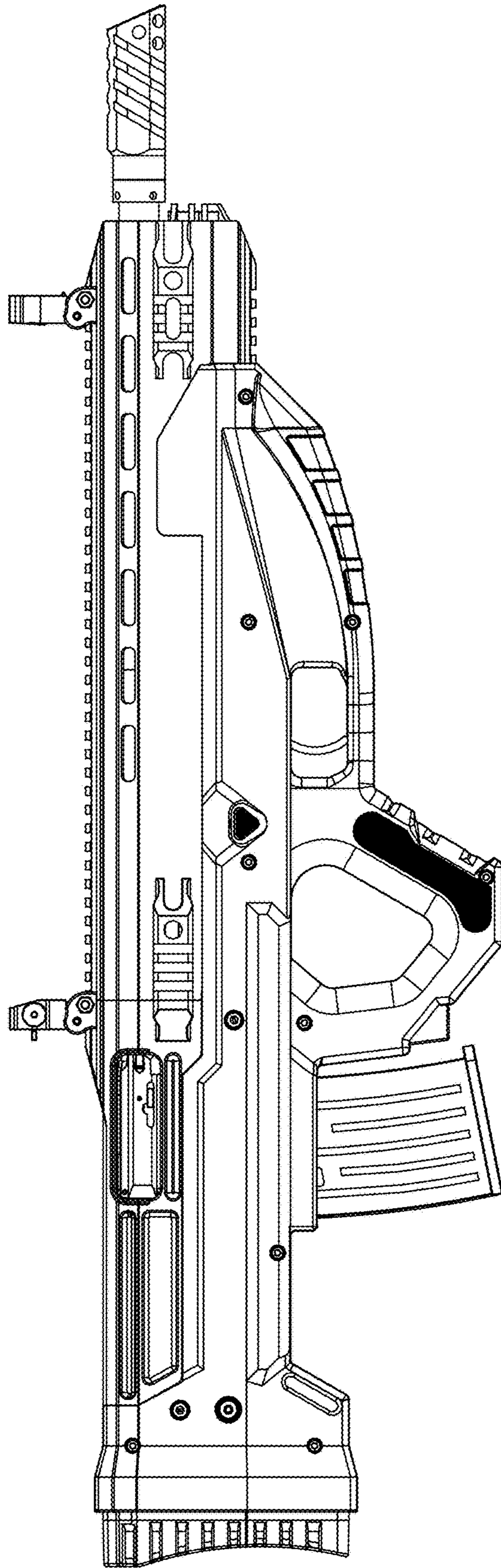


FIG.4

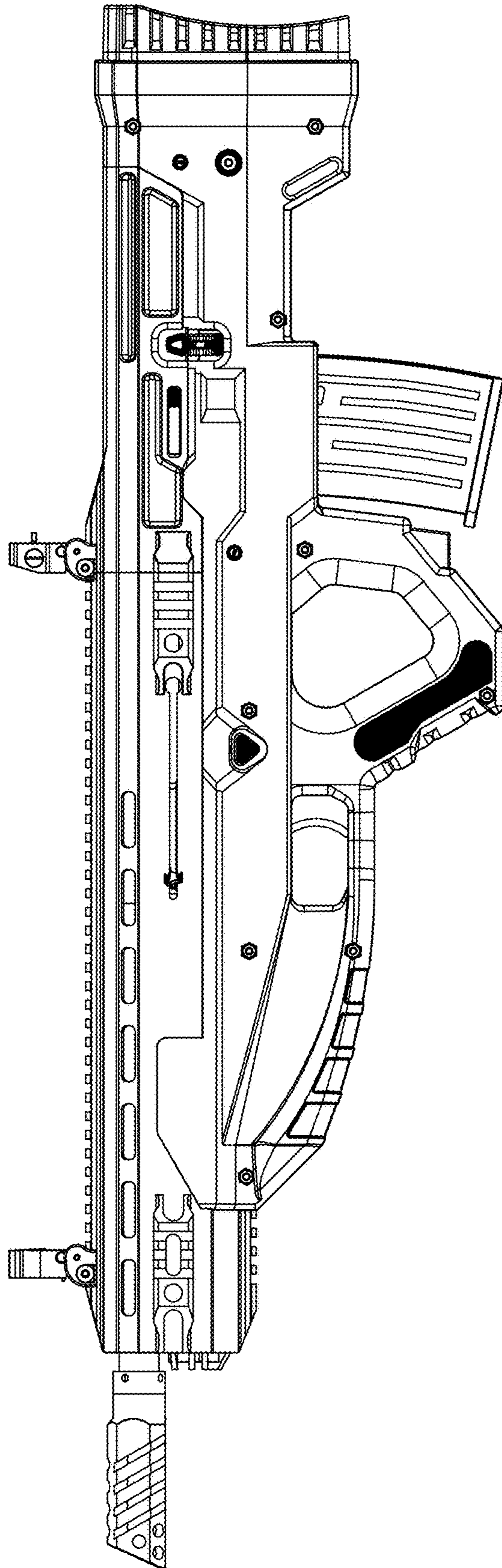


FIG.5

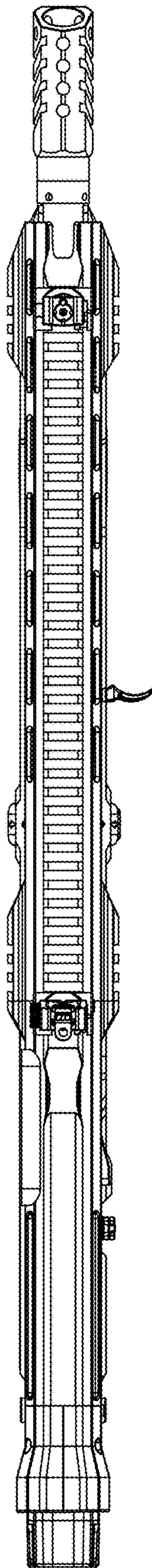


FIG.6

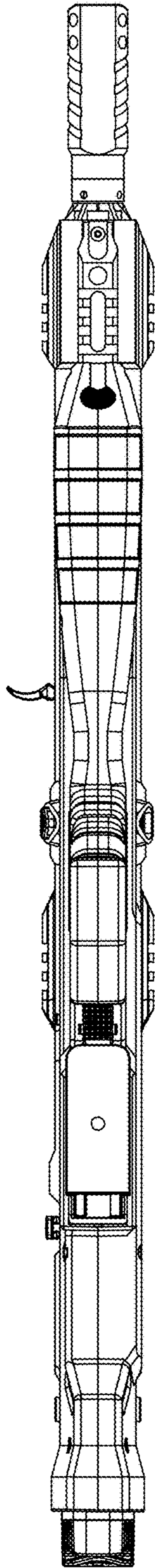


FIG.7

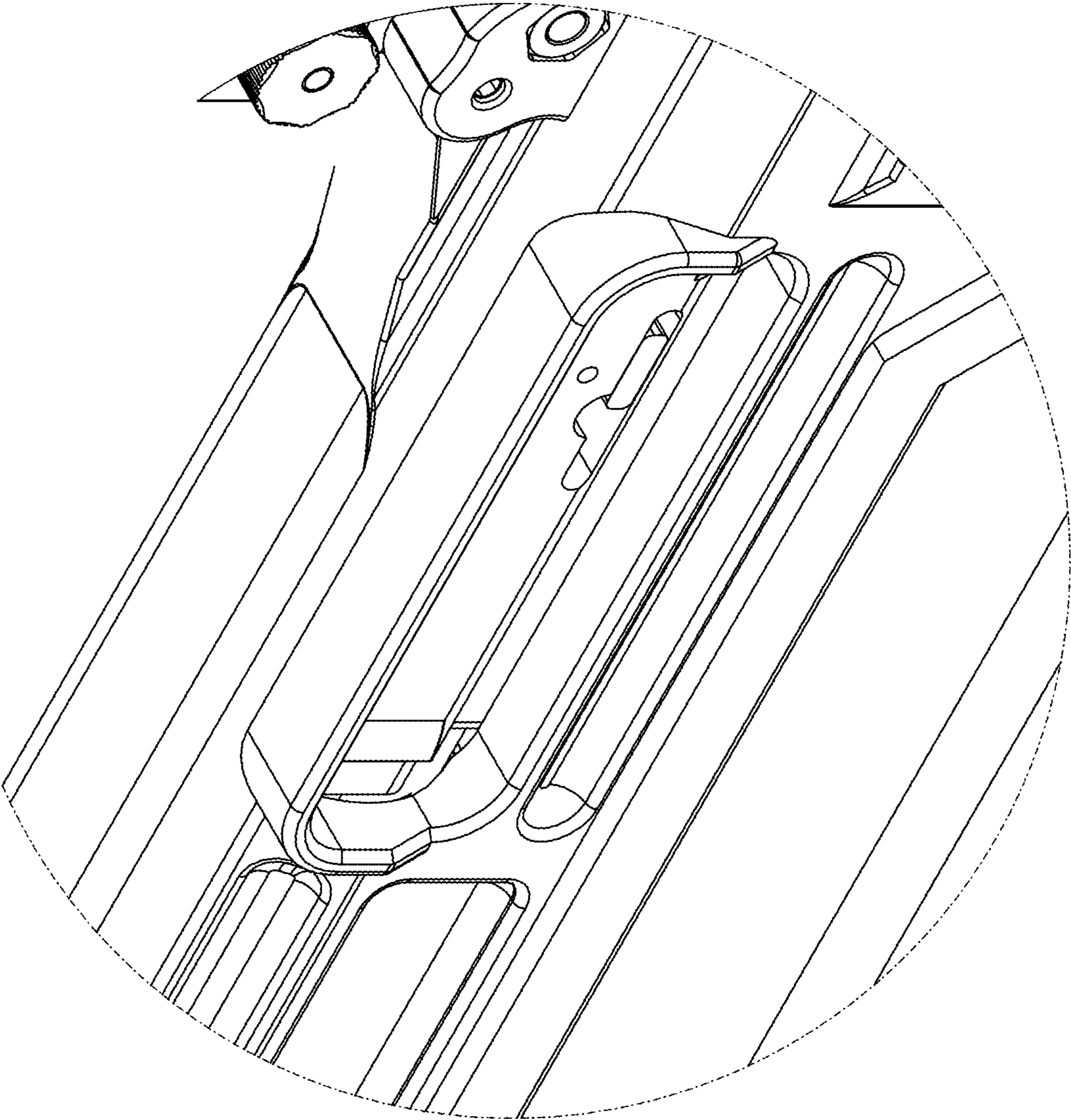


FIG.8