



US00D814588S

(12) **United States Design Patent**  
**Watson**

(10) **Patent No.:** **US D814,588 S**

(45) **Date of Patent:** **\*\* Apr. 3, 2018**

(54) **GOLF SWING AID DEVICE FOR A GOLF CLUB**

(71) Applicant: **Edward Bates Watson**, Dana Point, CA (US)

(72) Inventor: **Edward Bates Watson**, Dana Point, CA (US)

(\*\*) Term: **15 Years**

(21) Appl. No.: **29/575,183**

(22) Filed: **Aug. 23, 2016**

(51) **LOC (11) Cl.** ..... **21-02**

(52) **U.S. Cl.**  
USPC ..... **D21/791**

(58) **Field of Classification Search**  
USPC ..... D21/789, 791  
CPC .. A63B 69/3632; A63B 69/3614; A63B 15/00  
See application file for complete search history.

(56) **References Cited**

**U.S. PATENT DOCUMENTS**

1,990,281	A *	2/1935	Grelle	.....	A63B 69/3632
					473/232
4,145,054	A *	3/1979	Stewart	.....	A63B 69/3632
					473/227
5,009,426	A *	4/1991	Cox	.....	A63B 69/3632
					473/227
5,294,126	A *	3/1994	Armstrong, III	..	A63B 69/0059
					473/227
6,558,302	B2 *	5/2003	Cluff	.....	A63B 21/0552
					473/229
D581,005	S *	11/2008	Rush	.....	D21/791

7,658,683	B1 *	2/2010	Daniel	.....	A63B 53/007
					473/294
D667,069	S *	9/2012	Dandrea	.....	D21/791
8,894,503	B2 *	11/2014	Dandrea	.....	A63B 69/0057
					473/226
D736,332	S *	8/2015	Daniel	.....	D21/756
9,126,090	B1 *	9/2015	Watson	.....	A63B 69/3632
9,162,131	B1 *	10/2015	Watson	.....	A63B 69/0057

\* cited by examiner

*Primary Examiner* — Mitchell I. Siegel

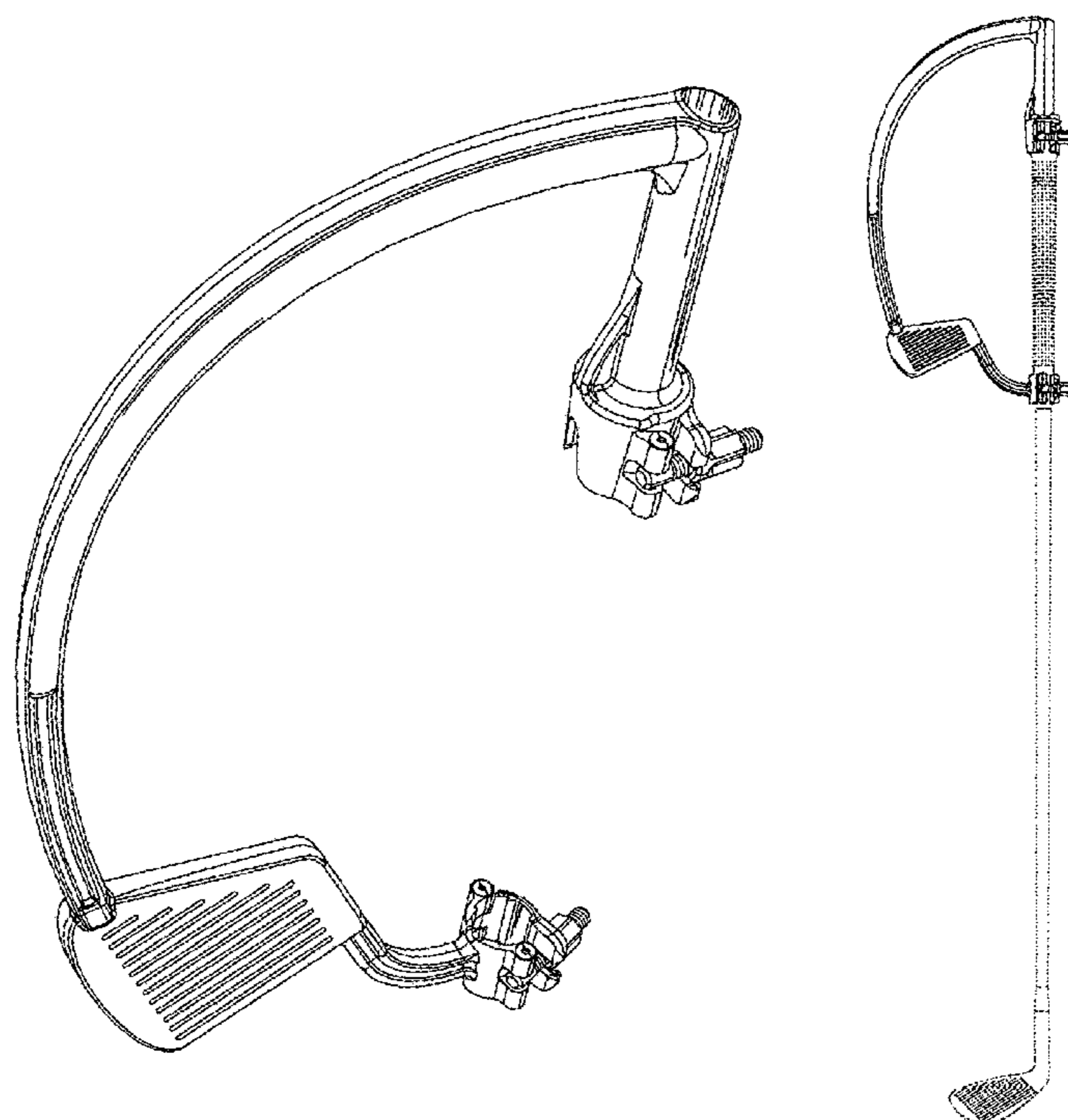
(57) **CLAIM**

The ornamental design for a golf swing aid device for a golf club, as shown and described.

**DESCRIPTION**

FIG. 1 is a front view of a golf swing aid device for a golf club;  
 FIG. 2 is a back view thereof;  
 FIG. 3 is one side view thereof;  
 FIG. 4 is the opposite side view thereof;  
 FIG. 5 is a top view thereof;  
 FIG. 6 is a bottom view thereof;  
 FIG. 7 is a front perspective view thereof; and,  
 FIG. 8 is an exploded side view thereof; and,  
 FIG. 9 is the side view of the golf swing aid device attached to an unclaimed golf club.  
 The phantom lines showing the golf club in FIG. 9 are included for the purpose of illustrations and form no part of the claimed designed.

**1 Claim, 9 Drawing Sheets**



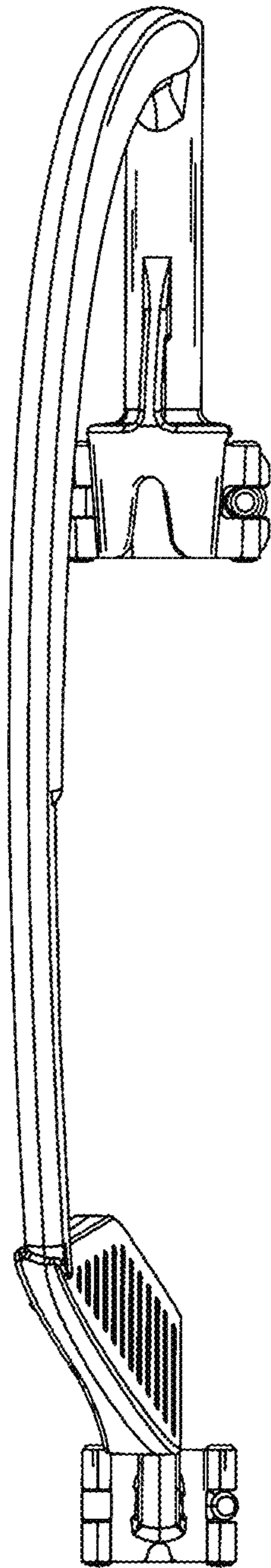


FIG. 1

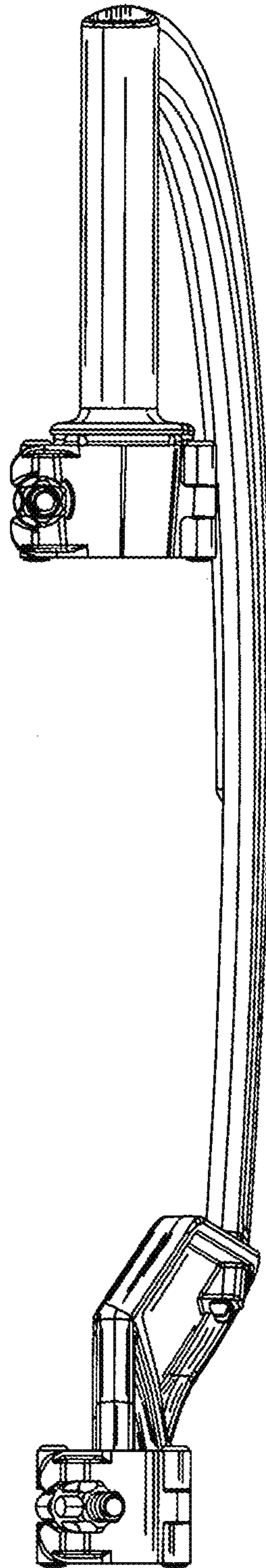


FIG. 2

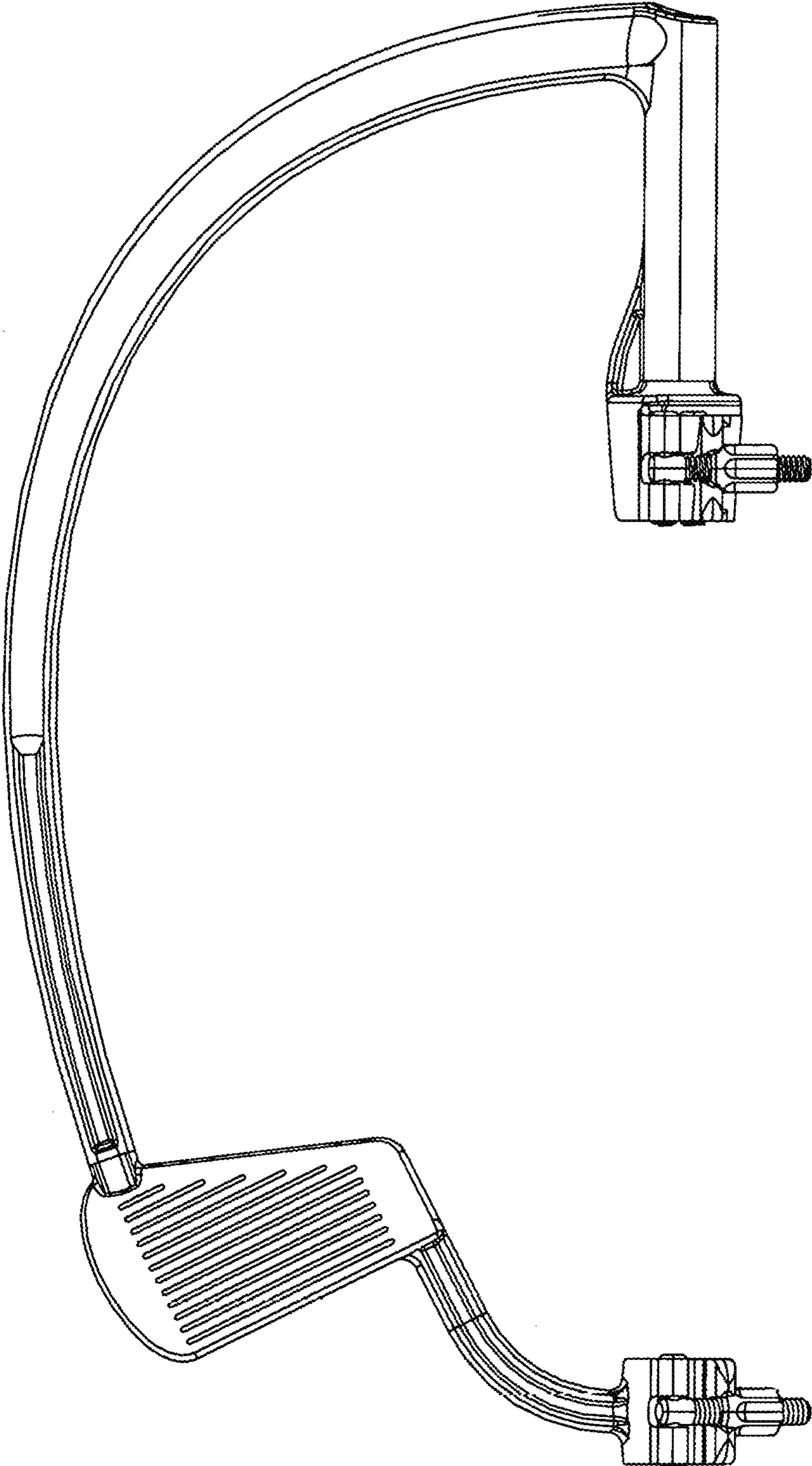


FIG. 3

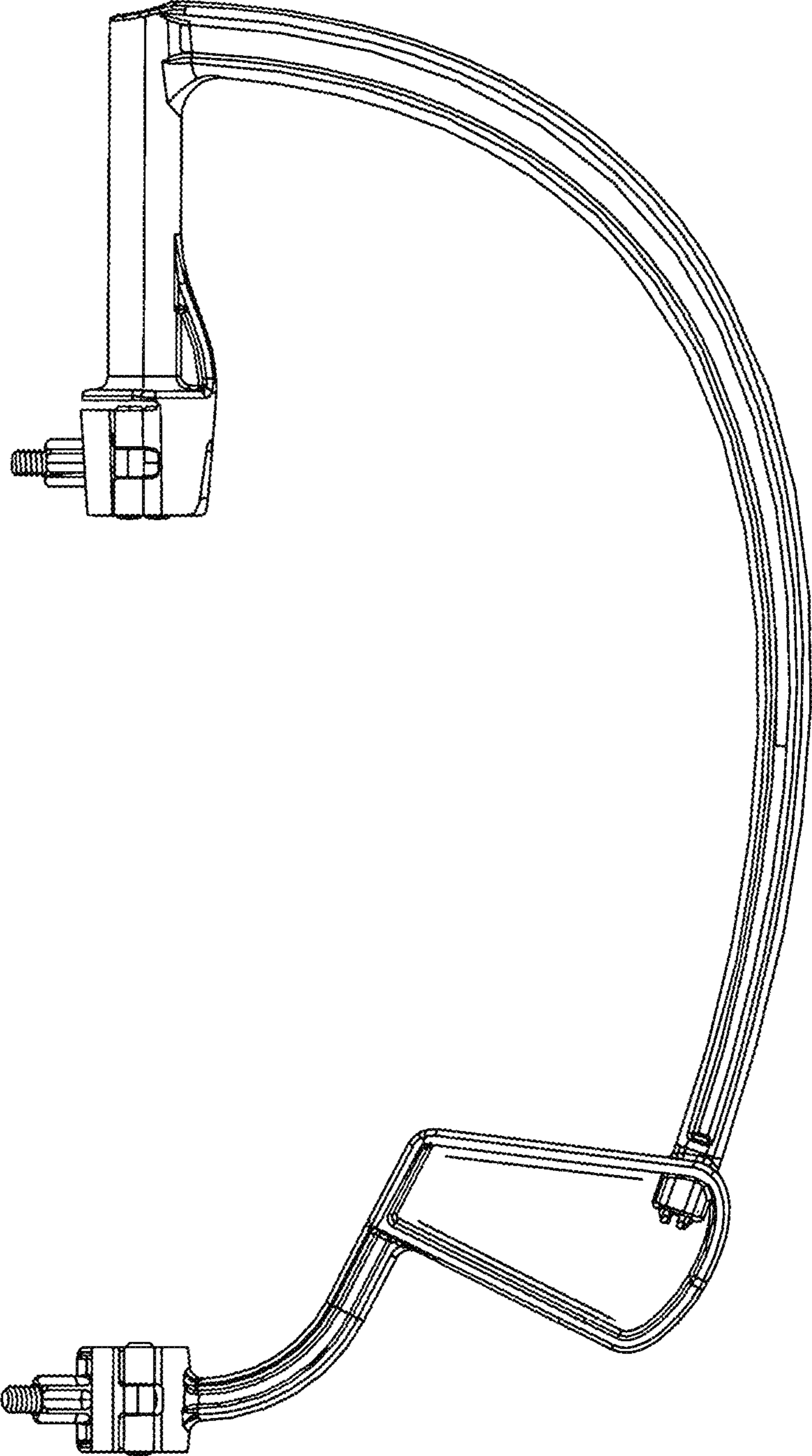


FIG. 4

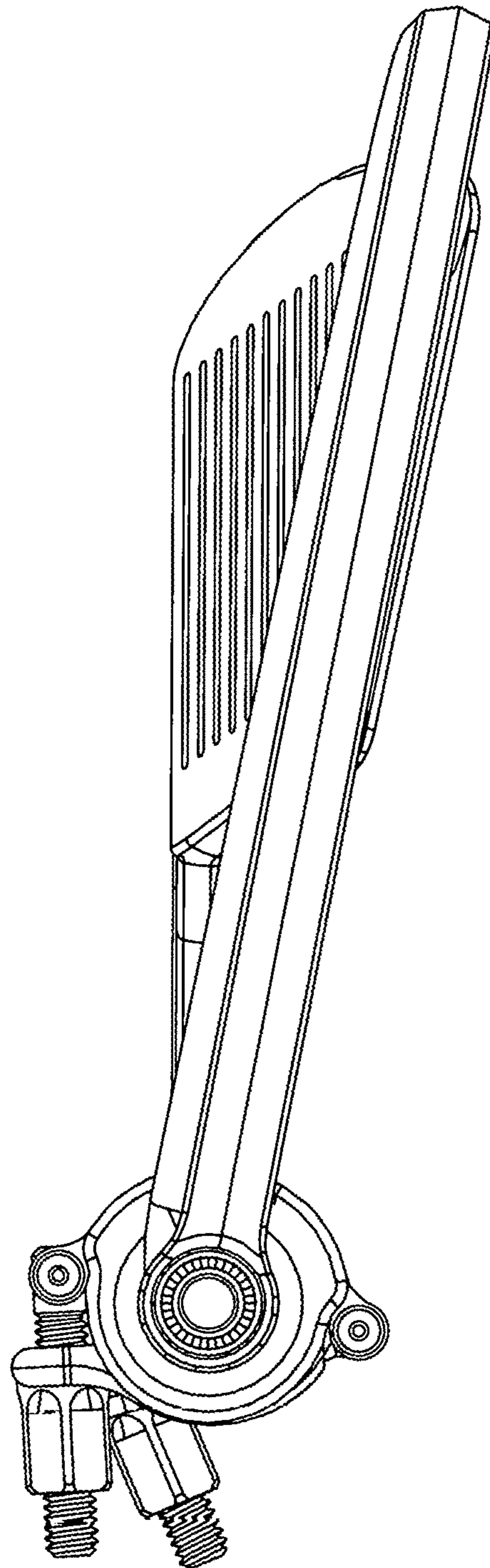


FIG. 5

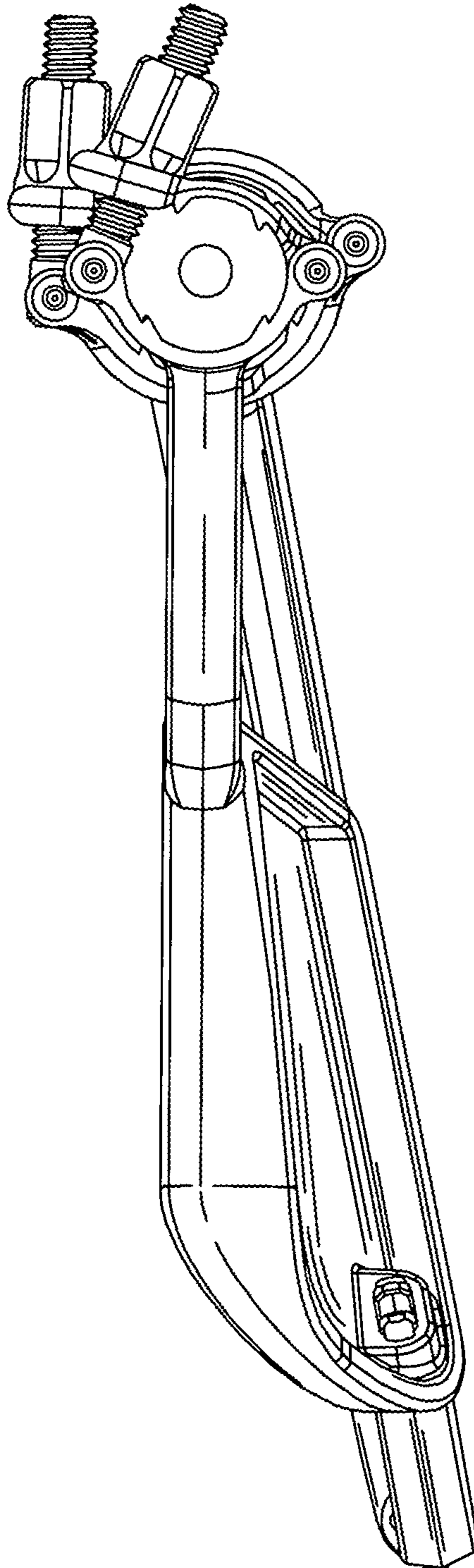


FIG. 6

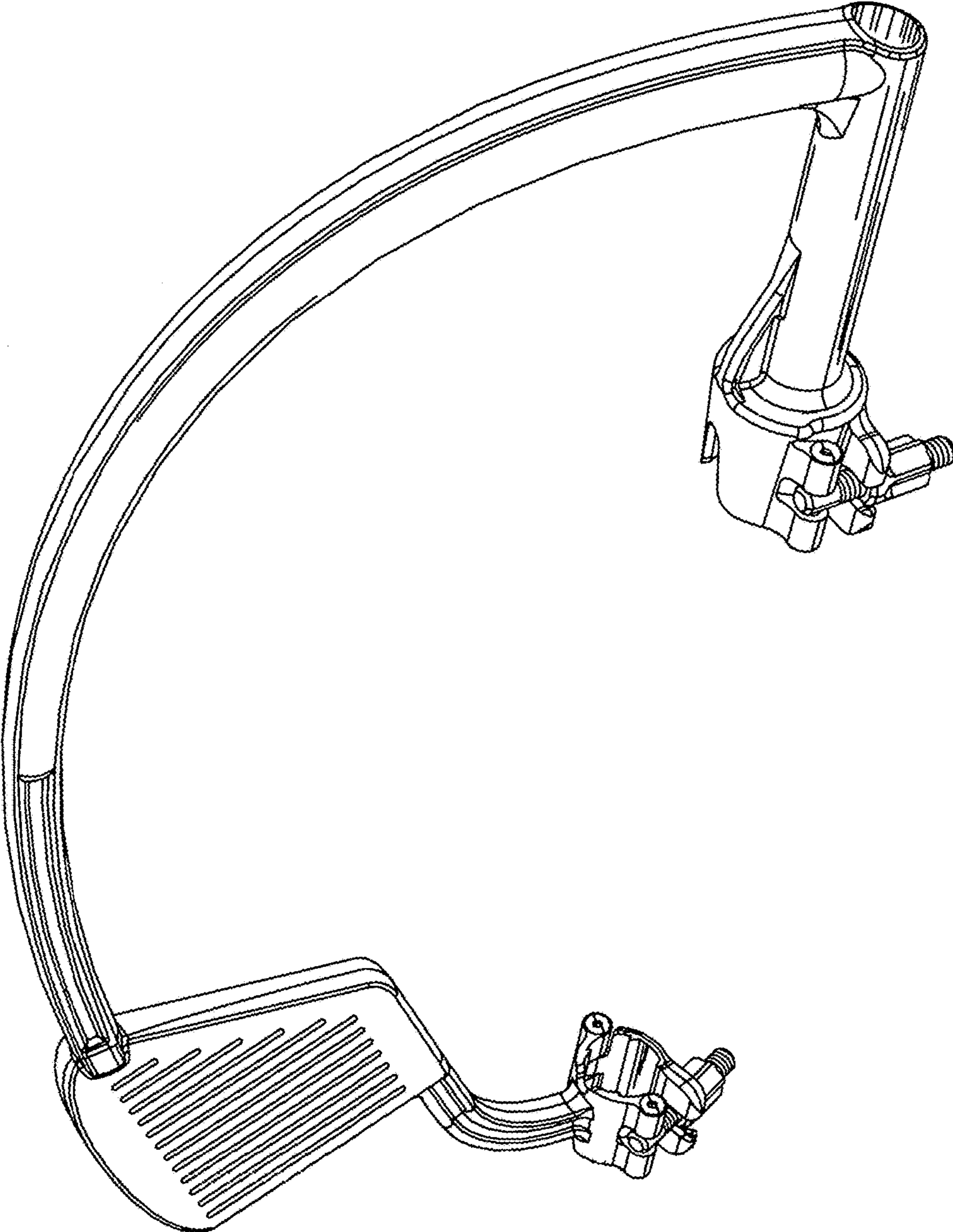


FIG. 7



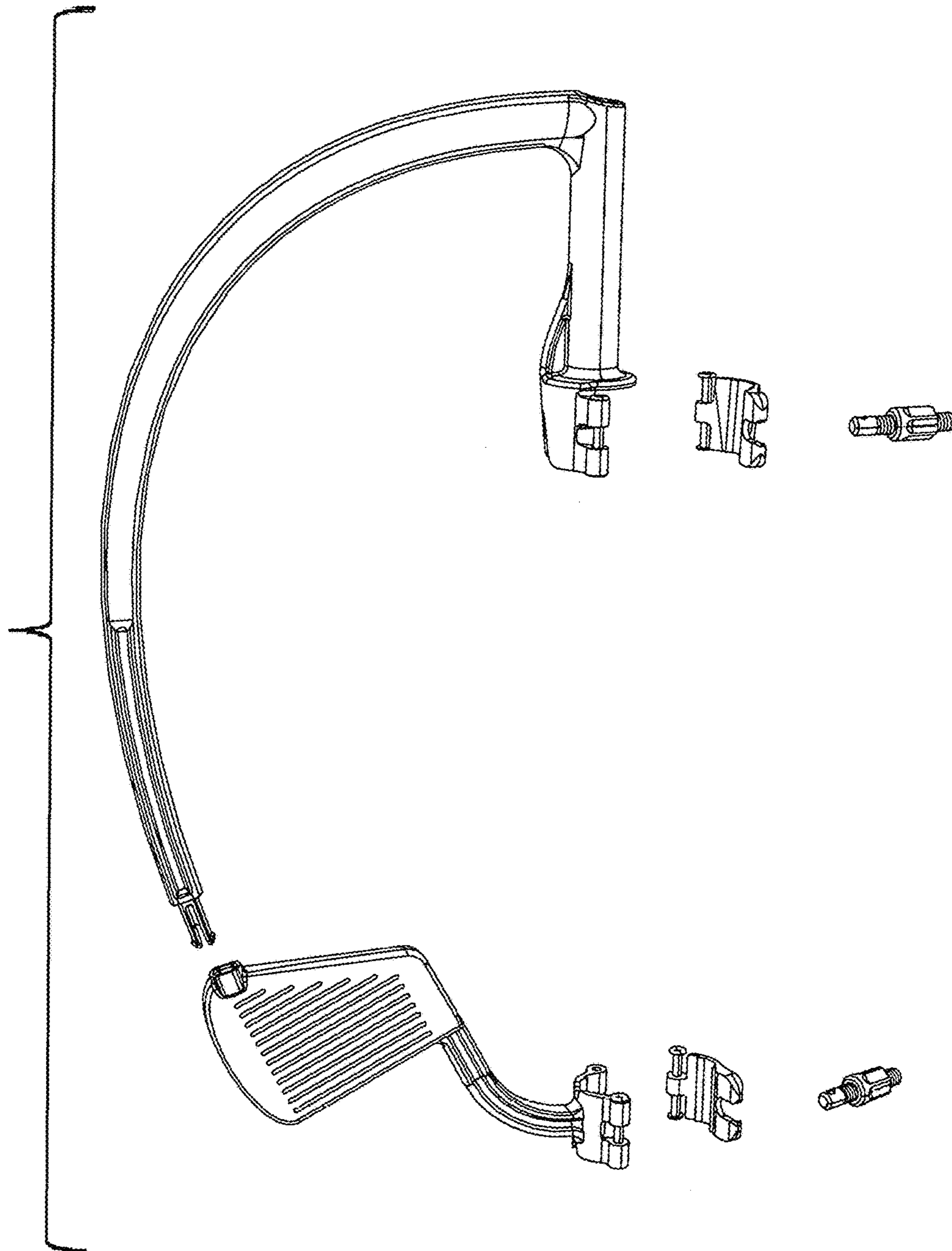


FIG. 8

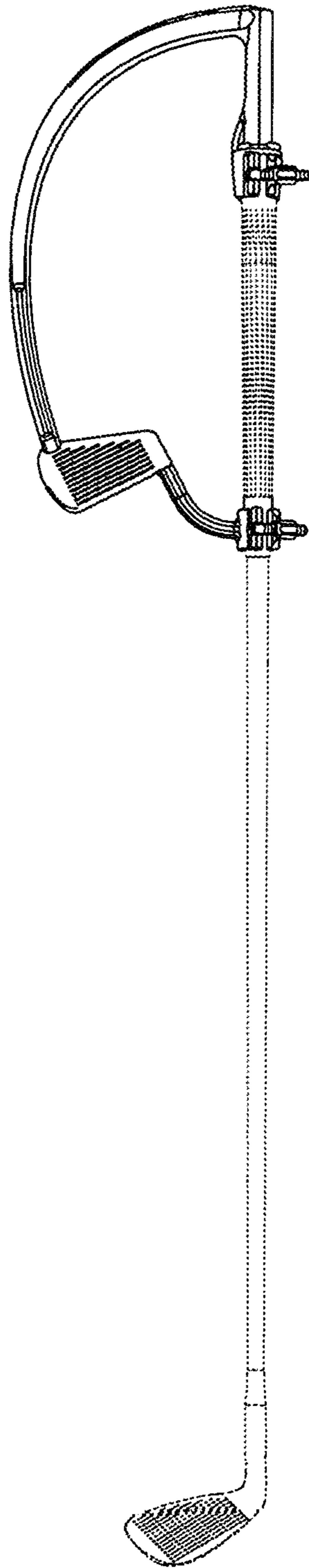


FIG. 9